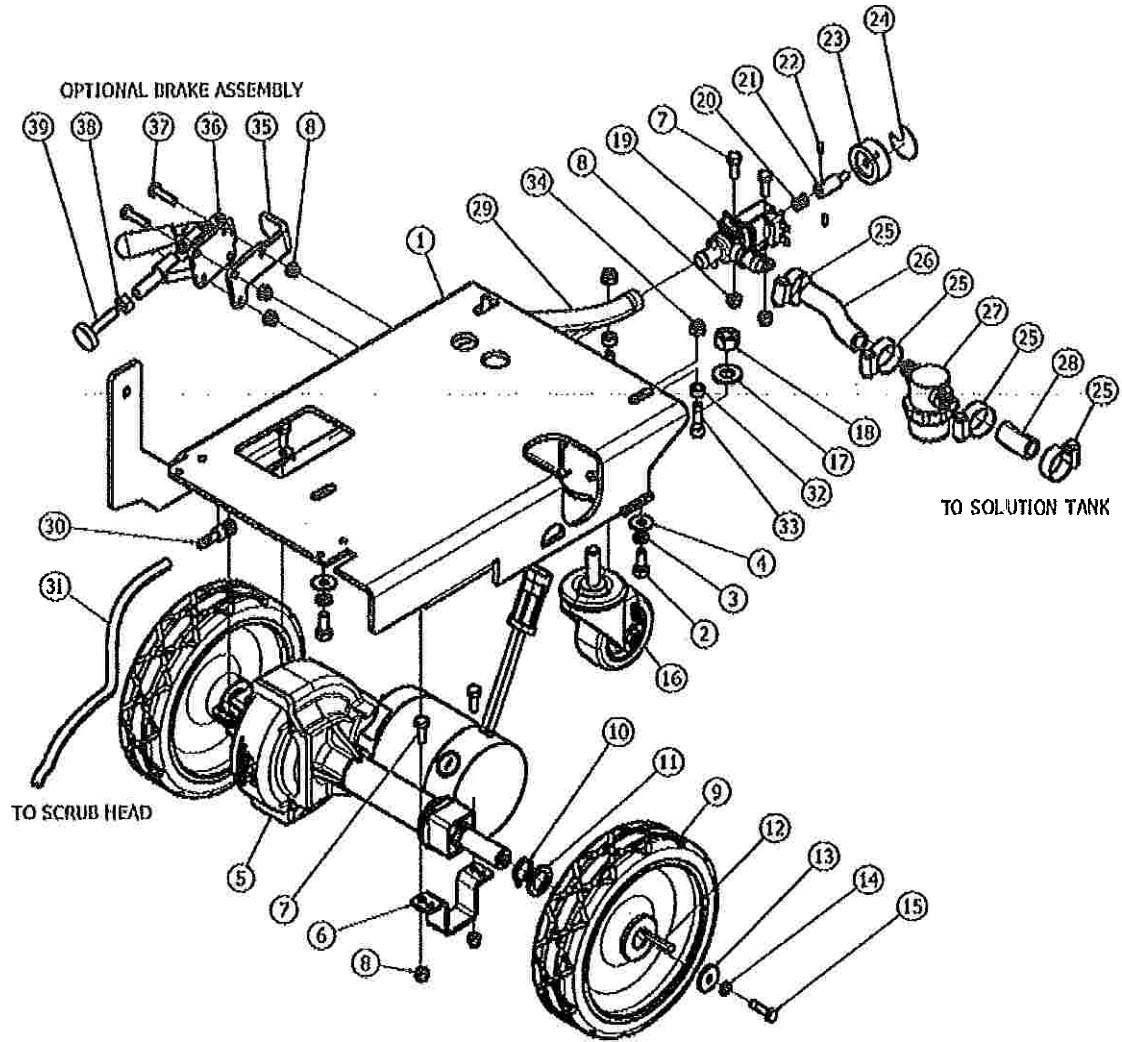


Tacony [Nov. 20, 2012]/National Accounts/Floorkeeper 24 TD/Frame

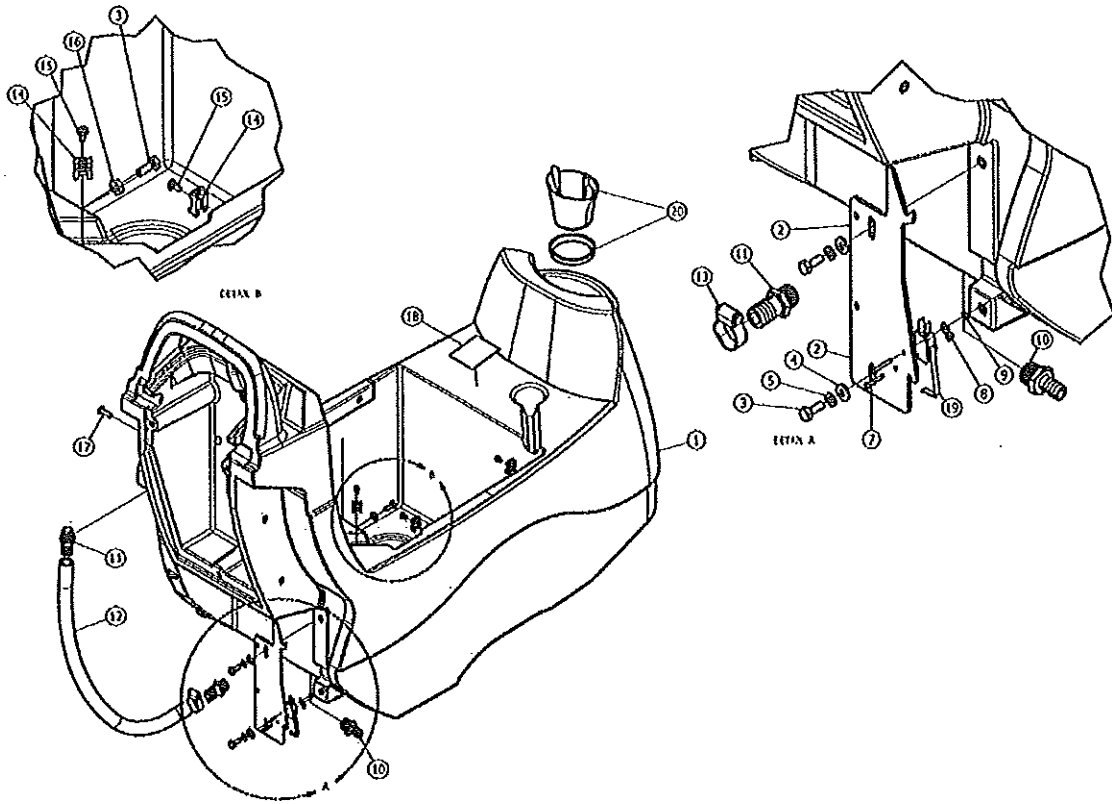


Tacony [Nov. 20, 2012]/National Accounts/Floorkeeper 24 TD/Frame

| No. | Part No. | Qty. | Description | SELL0 |
|-----|----------------|------|----------------------------------------|-------|
| 1 | 853202 | 1 | FRAME, SCRUBBER | |
| 2 | 962269 | 3 | SCREW, HEX, .31-18 X .75, SS | |
| 3 | 980094 | 3 | WASHER, SPLIT LOCK, .31, SS | |
| 4 | W243D | 3 | WASHER, FLAT, 5/16, SS | |
| 5 | 859201 | 1 | TRANSAXLE, 24VDC, 20 IN | |
| 6 | 850807 | 2 | BRACKET, RETAINING, TRANS | |
| 7 | W189D | 6 | SCREW, HEX, 1/4-20 X .75, SS, PATCH | |
| 8 | 920011 | 9 | NUT, NYLOCK, 1/4-20, ZINC | |
| 9 | 859704 | 2 | WHEEL, TRACTION, 200MM | |
| 10 | 847306 | 2 | RING, RETAINING, EXT, .75 | |
| 11 | 980780 | 2 | WASHER, KEYED | |
| 12 | 915003 | 2 | KEY, SQ, .188 X 1.31 | |
| 13 | 980106 | 2 | WASHER, FLAT, .25ID, 1.0OD, .12THK, SS | |
| 14 | 980002 | 2 | WASHER, LOCK, SPLIT, .25 | |
| 15 | 964008 | 2 | SCREW, HEX, M6 X 25, SS, PATCH | |
| 16 | 859705 | 2 | CASTER, 3INCH | |
| 17 | 980079 | 2 | WASHER, FLAT, .5, ZINC | |
| 18 | W502D | 2 | NUT, NYLOCK, 1/2-13, THIN, ZINC | |
| 19 | 859401 | 1 | VALVE, SOLENOID, 24VDC | |
| 20 | 858305 | 1 | SPRING, COMPRESSION, .50INCH | |
| 21 | 850201 | 1 | ADAPTER, VALVE, KNOB | |
| 22 | 962281 | 2 | SCREW, SET, #8X.38, SS, PATCH | |
| 23 | 855001 | 1 | KNOB, ADJUST, .25 BORE | |
| 24 | 855109 | 1 | LABEL, CONTROL, WATER | |
| 25 | S453P | 4 | CLAMP, HOSE, WORM | |
| 26 | 224130 - 3.75" | 1 | HOSE, 1/2" DIA | |
| 27 | 843319 | 1 | FILTER, SCREEN, BOWL | |
| 28 | 224130 - 1.56" | 1 | HOSE, 1/2" DIA | |
| 29 | 224130 - 9.50" | 1 | HOSE, 1/2" DIA | |
| 30 | 853301 | 1 | FITTING, REDUCER, BM08, BM04 | |
| 31 | 204179 - 19.0" | 1 | HOSE, 1/4" DIA | |
| 32 | 853802 | 2 | GUIDE, SPACER, ROUND | |
| 33 | 962279 | 2 | SCREW, SOCKET CAP, .31X1.0, SS | |
| 34 | 920012 | 2 | NUT, NYLOCK, 5/16-18, ZINC | |
| 35 | 850810 | 1 | BRACKET, STOP, BRAKE | |
| 36 | 852001 | 1 | CLAMP, BRAKE, OVER-CENTER | |
| 37 | 962221 | 3 | SCREW, HEX, .25-20 X 1.0, SS | |

| No. | Part No. | Qty. | Description | SELLO |
|-----|----------|------|----------------------|-------|
| 38 | W405D | 1 | NUT, .31-18, JAM, SS | |
| 39 | 858401 | 1 | PAD,STUD, THREADED | |

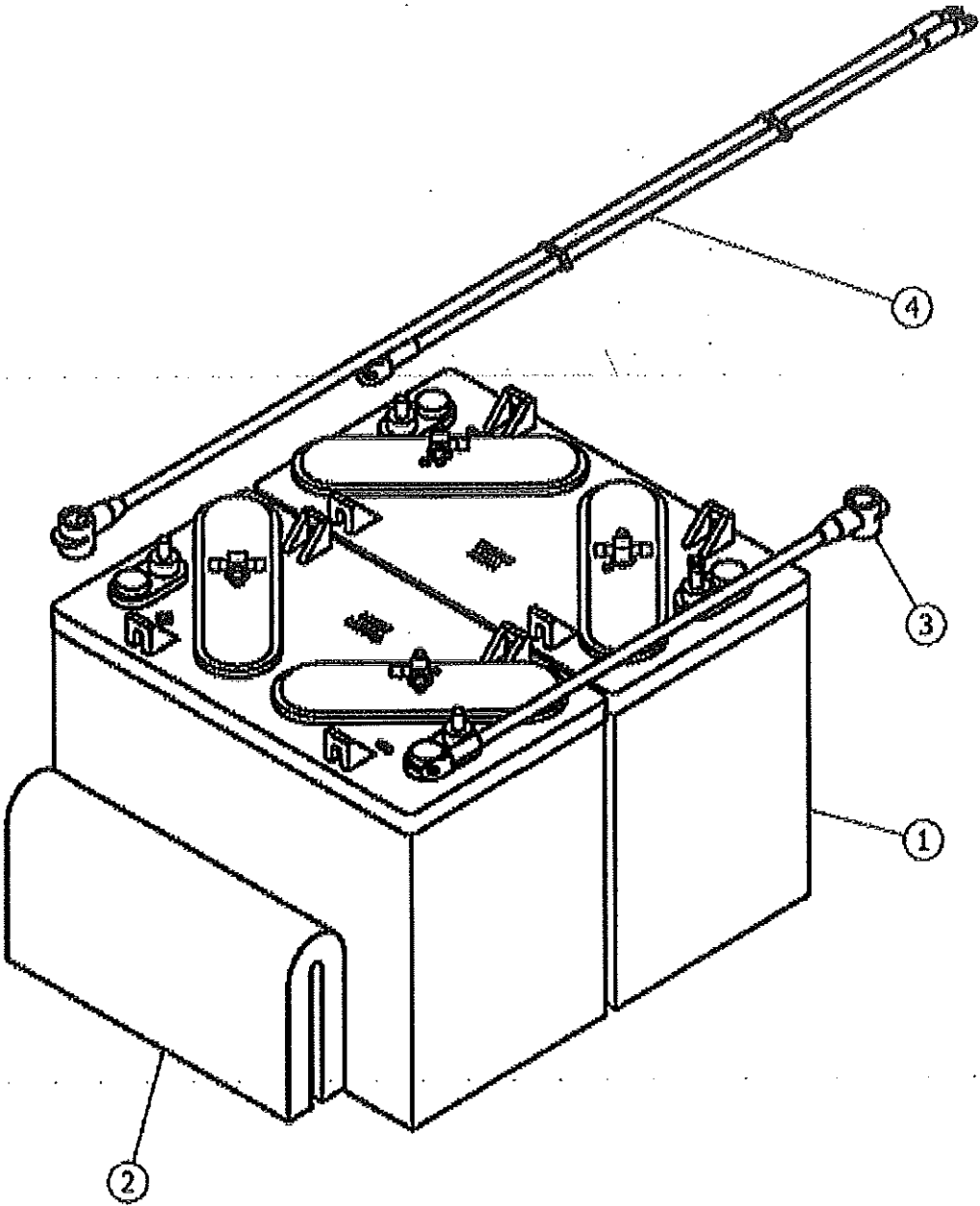
Tacony [Nov. 20, 2012]/National Accounts/Floorkeeper 24 TD/Solution Tank



Tacony [Nov. 20, 2012]/National Accounts/Floorkeeper 24 TD/Solution Tank

| No. | Part No. | Qty | Description | SELL 0 |
|-----|----------|-----|-------------------------------------|--------|
| 1 | 858601 | 1 | TANK, SOLUTION, 11 GAL | |
| 2 | 850814 | 1 | BRACKET,SUPPORT,LEVER | |
| 3 | W189D | 3 | SCREW, HEX, 1/4-20 X .75, SS, PATCH | |
| 4 | W104D | 2 | WASHER, FLAT, .25 | |
| 5 | 980002 | 2 | WASHER, LOCK, SPLIT, .25 | |
| 7 | 962273 | 2 | SCREW, PAN, #4-40 X .88, ZINC | |
| 8 | 980682 | 2 | WASHER, FLAT, #4, ZINC | |
| 9 | W385D | 2 | NUT, NYLOCK, #4-40, ZINC | |
| 10 | 223343 | 1 | FITTING, STR, BM08, PM08 | |
| 11 | 853303 | 2 | FITTING, STR, BM12, PM08 | |
| 12 | 859202 | 1 | TUBE, SIGHT, .75 ID | |
| 13 | S453P | 1 | CLAMP, HOSE, WORM | |
| 14 | 225670 | 4 | PAD, WIRE TIE | |
| 15 | 962271 | 4 | SCREW, PAN, #10 X .38L, ZINC | |
| 16 | 920037 | 1 | NUT, THIN JAM, 1/4-20, ZINC | |
| 17 | 962455 | 1 | SCREW, TRUSS, .25-20 X 1.0 | |
| 18 | 855108 | 1 | LABEL,INSTRUCTION,BATTERY | |
| 19 | 911682 | 1 | SWITCH, SNAP, BENT LEVER | |
| 20 | 875011 | 1 | STRAINER W/ GASKET | |

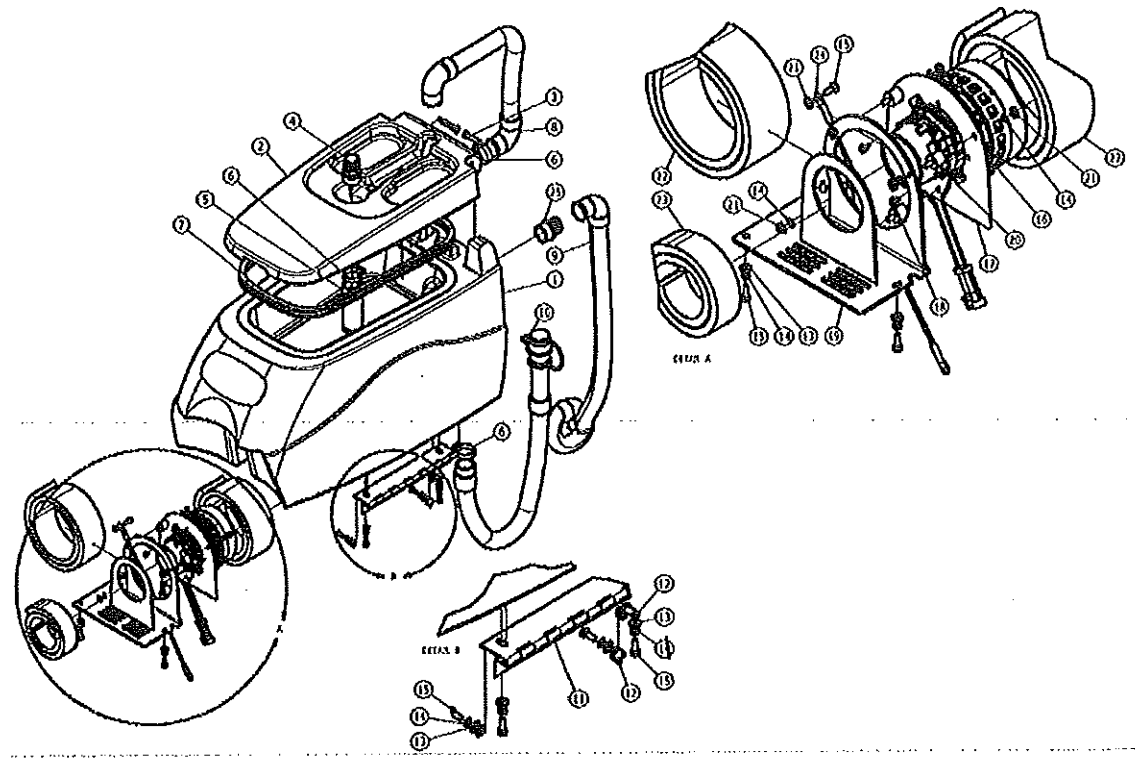
Tacony [Nov. 20, 2012]/National Accounts/Floorkeeper 24 TD/Batteries



Tacony [Nov. 20, 2012]/National Accounts/Floorkeeper 24 TD/Batteries

| No. | Part No. | Qty. | Description | SELLO |
|-----|----------|------|--------------------------------------------------------------------------|-------|
| 1 | 851306 | 2 | BATTERY, 12V, 130AH, Wet LEAD ACID (Floorkeeper 20 PD) | |
| 1 | 851307 | 2 | BATTERY, 12V, 155AH, Wet LEAD ACID (Floorkeeper 20 TD, 20 OB, and 24 TD) | |
| 1 | TBD | 2 | BATTERY, 12V, 105AH, AGM To Be Determined | |
| 1 | TBD | 2 | BATTERY, 12V, 130AH, AGM To Be Determined | |
| 2 | 858202 | 1 | FOAM,SPACER,BATTERY | |
| 3 | 911640 | 1 | HARNESS,CONN,BATTERY | |
| 4 | 911641 | 1 | HARNESS, BATT-MACHINE | |

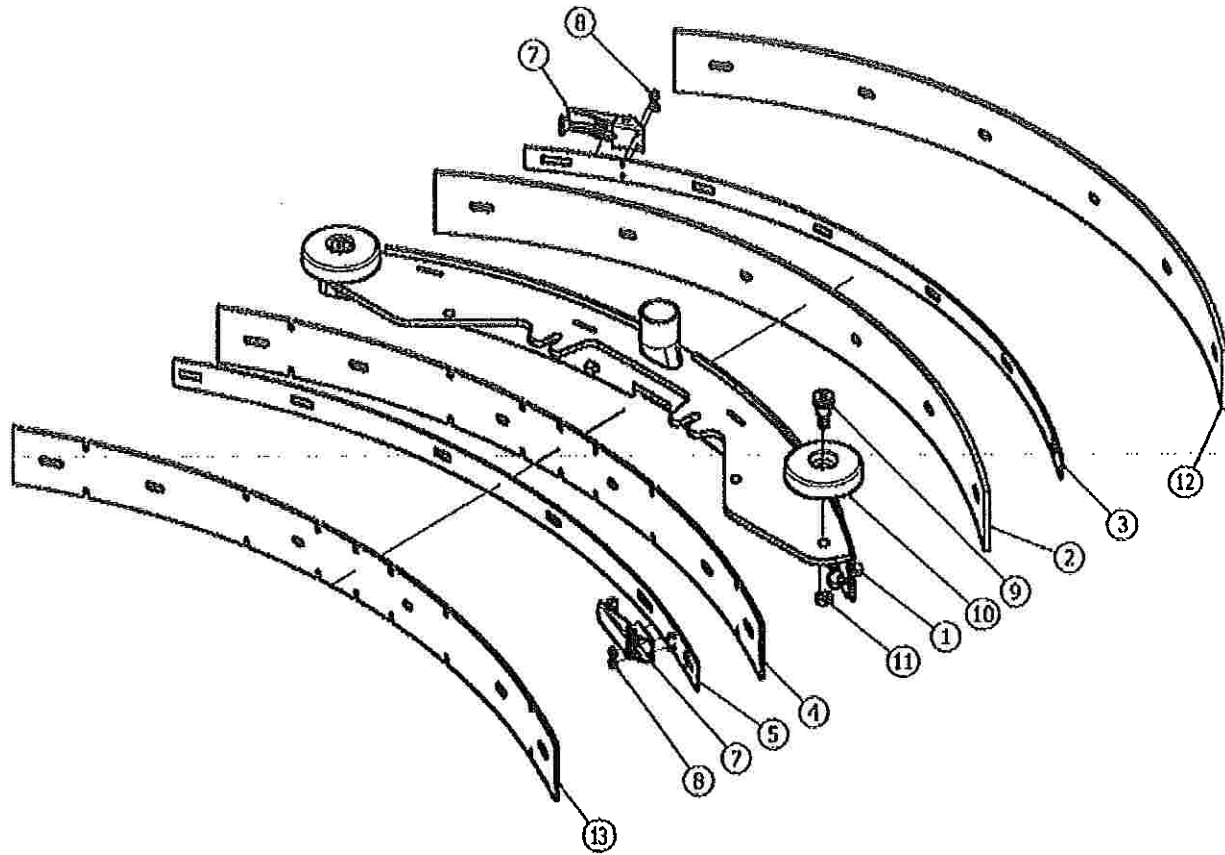
Tacony [Nov. 20, 2012]/National Accounts/Floorkeeper 24 TD/Recovery Tank



Tacony [Nov. 20, 2012]/National Accounts/Floorkeeper 24 TD/Recovery Tank

| No. | Part No. | Qty. | Description | SELLO |
|-----|----------|------|-------------------------------------|-------|
| 1 | 858603 | 1 | TANK, RECOVERY, 11 GA, TORNADO | |
| 2 | 852301 | 1 | COVER, TANK, RECOVERY | |
| 3 | 962462 | 2 | SCREW, SHOULDER, .38 X 1.75, SS | |
| 4 | 853304 | 1 | FITTING, STR, BM24, PM20 | |
| 5 | 223370 | 1 | FLOAT, SHUTOFF | |
| 6 | S611A | 3 | CLAMP, HOSE, WORM | |
| 7 | 853401 | 5.33 | GASKET, COVER, PRESS-IN | |
| 8 | 854103 | 1 | HOSE, VACUUM, 1.5INCH | |
| 9 | 854102 | 1 | HOSE, SQUEEGEE, 90 CUFF | |
| 10 | 854101 | 1 | HOSE, DRAIN, CAPPED | |
| 11 | 854501 | 1 | HINGE, TANK, RECOVERY | |
| 12 | 852101 | 2 | CLAMP, WIRE, P-SHAPED | |
| 13 | W104D | 9 | WASHER, FLAT, .25 | |
| 14 | 980002 | 14 | WASHER, LOCK, SPLIT, .25 | |
| 15 | W189D | 8 | SCREW, HEX, 1/4-20 X .75, SS, PATCH | |
| 16 | 855205 | 1 | MOTOR, VAC, 24VDC, PERIPH | |
| 17 | 850812 | 1 | BRACKET, MTG, ISOLATOR | |
| 18 | 964224 | 4 | SCREW, PAN, #10 X .5, SELF TAPPING | |
| 19 | 852303 | 1 | COVER, MTG, VACUUM | |
| 20 | 855603 | 3 | MOUNT, RUBBER, .25-20 | |
| 21 | 920037 | 8 | NUT, THIN JAM, 1/4-20, ZINC | |
| 22 | 853305 | 2 | FOAM, NOISE, VACUUM | |
| 23 | 853306 | 1 | FOAM, NOISE, VACUUM | |
| 24 | 852402 | 1 | CABLE, RETENTION, TANK | |
| 25 | 853308 | 1 | FITTING, MODIFIED | |

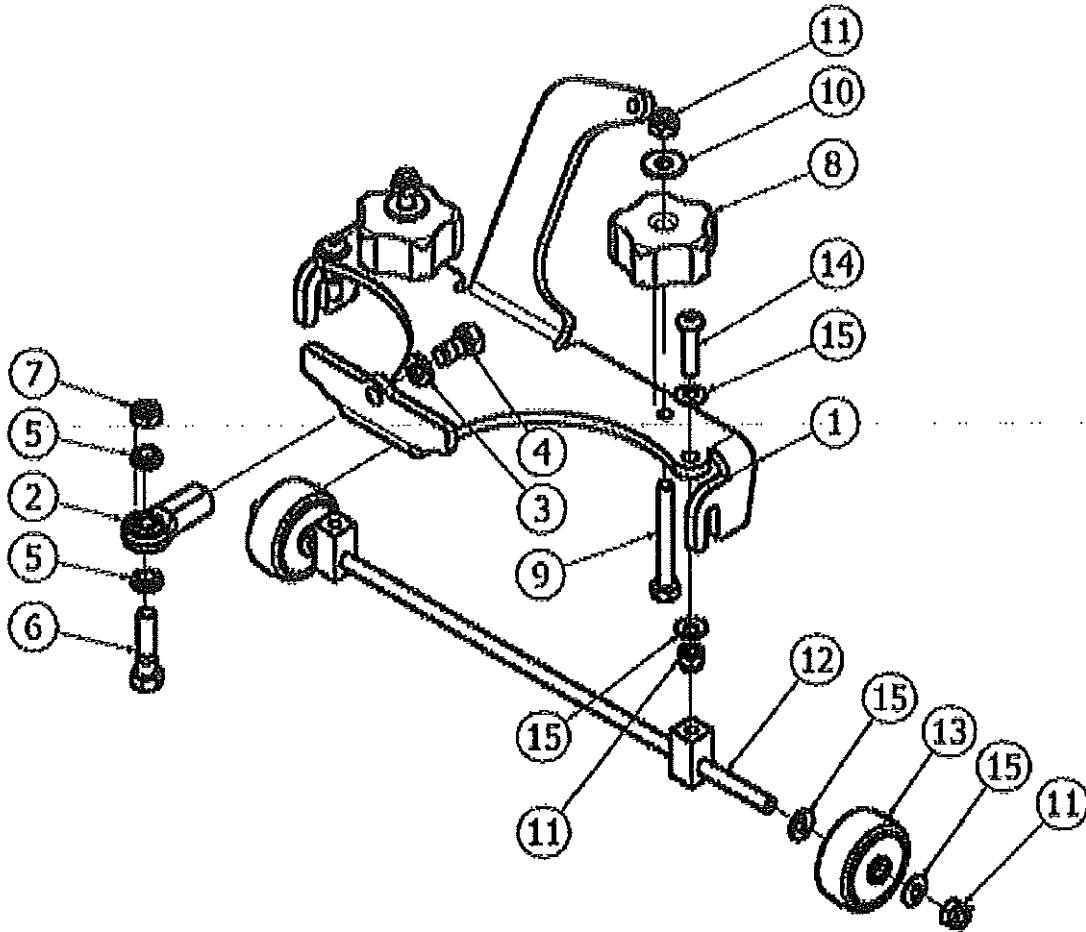
Tacony [Nov. 20, 2012]/National Accounts/Floorkeeper 24 TD/Squeegee Assembly



Tacony [Nov. 20, 2012]/National Accounts/Floorkeeper 24 TD/Squeegee Assembly

| No. | Part No. | Q ty. | Description | SELL 0 |
|-----|----------|-------|--------------------------------------|--------|
| 1 | 853203 | 1 | FRAME, SQUEEGEE, 30 INCH | |
| 2 | 850702 | 1 | BLADE, REAR, 30 INCH | |
| 3 | 857201 | 1 | RETAINER, REAR, 30 INCH | |
| 4 | 850701 | 1 | BLADE, FRONT, 30 INCH | |
| 5 | 857202 | 1 | RETAINER, FRONT, 30 INCH | |
| 7 | 852002 | 2 | CLAMP, OVER-CENTER, BAND | |
| 8 | 920034 | 4 | NUT, NYLOCK, #6-32, SS | |
| 9 | 962465 | 2 | SCREW, SHOULDER, .50 X .50 | |
| 10 | 859703 | 2 | WHEEL, GUIDE | |
| 11 | 920035 | 2 | NUT, NYLOCK, .38-16, SS | |
| 12 | 850704 | 1 | BLADE, REAR, 30 IN, URETH (OPTIONAL) | |
| 13 | 850703 | 1 | BLADE, FRONT, 30 INCH, URETH (OPTL) | |

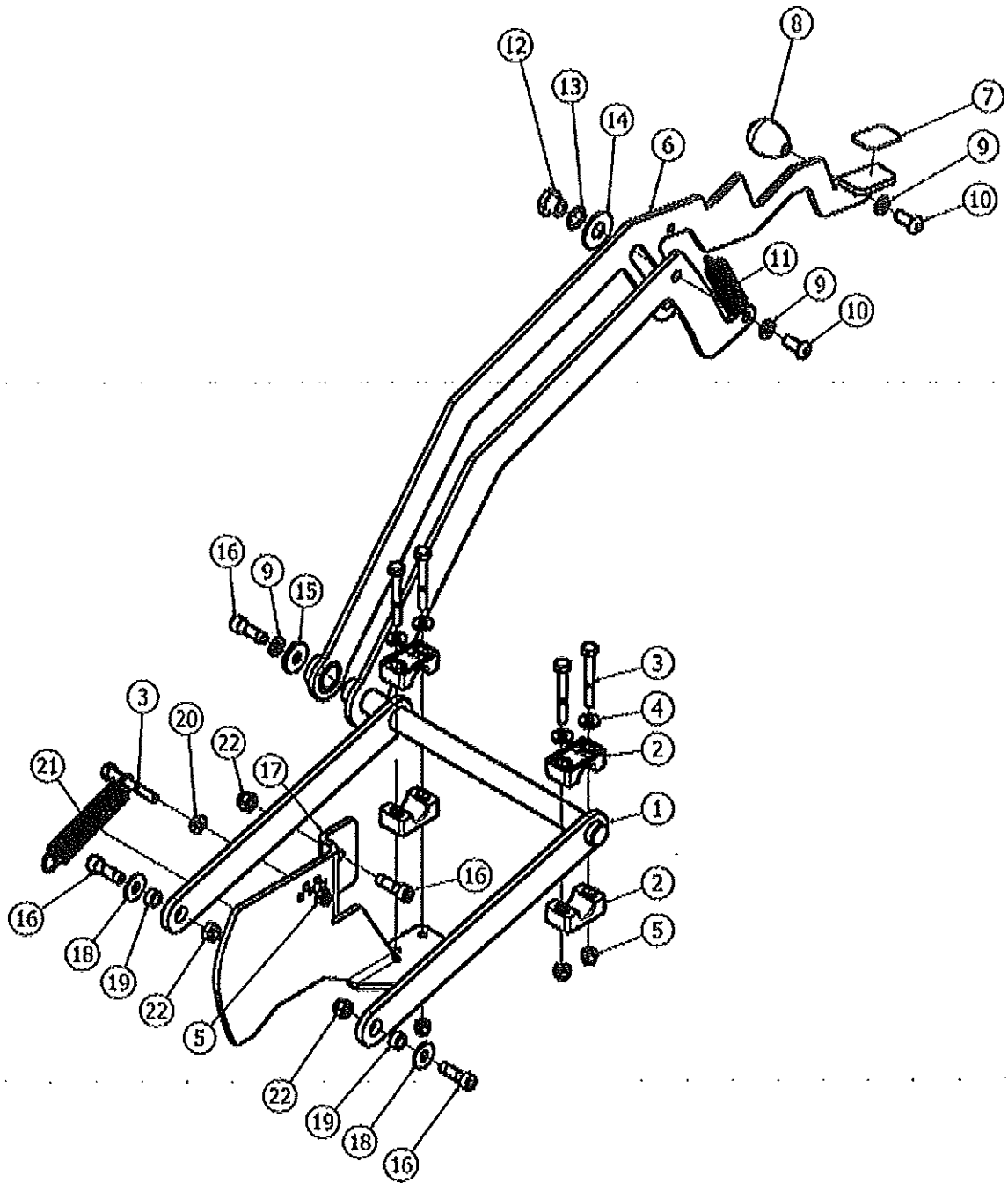
Tacony [Nov. 20, 2012]/National Accounts/Floorkeeper 24 TD/Squeegee Linkage



Tacony [Nov. 20, 2012]/National Accounts/Floorkeeper 24 TD/Squeegee Linkage

| No. | Part No. | Qty. | Description | SELL0 |
|-----|----------|------|----------------------------------------|-------|
| 1 | 850803 | 1 | BRACKET, LINK, SQUEEGEE | |
| 2 | 902051 | 1 | BEARING, ROD END, .38 FEM | |
| 3 | 980009 | 1 | WASHER, SPLIT LOCK, 3/8, SS | |
| 4 | 962028 | 1 | SCREW, HX, .38-24X.75,SS,PTCH | |
| 5 | 858204 | 2 | SPACER, LINK, SQUEEGEE | |
| 6 | 962075 | 1 | SCREW, HEX, 3/8-16 X 1.5, SS | |
| 7 | 920035 | 1 | NUT, NYLOCK, .38-16, SS | |
| 8 | 855002 | 2 | KNOB, RETAINING, .31-18 | |
| 9 | 962463 | 2 | SCREW, HEX, .31-18 X 2.5, SS, FULL THD | |
| 10 | W243D | 2 | WASHER, FLAT, 5/16, SS | |
| 11 | 920036 | 6 | NUT, NYLOCK, 5/16-18, SS | |
| 12 | 850501 | 1 | AXLE, WHEEL, SQUEEGEE | |
| 13 | 849709 | 2 | WHEEL, 2 OD, .31 ID | |
| 14 | 962464 | 2 | SCREW, BUTTON, .31-18X1.25, ZINC | |
| 15 | 980105 | 8 | WASHER, PLASTIC, THRUST | |

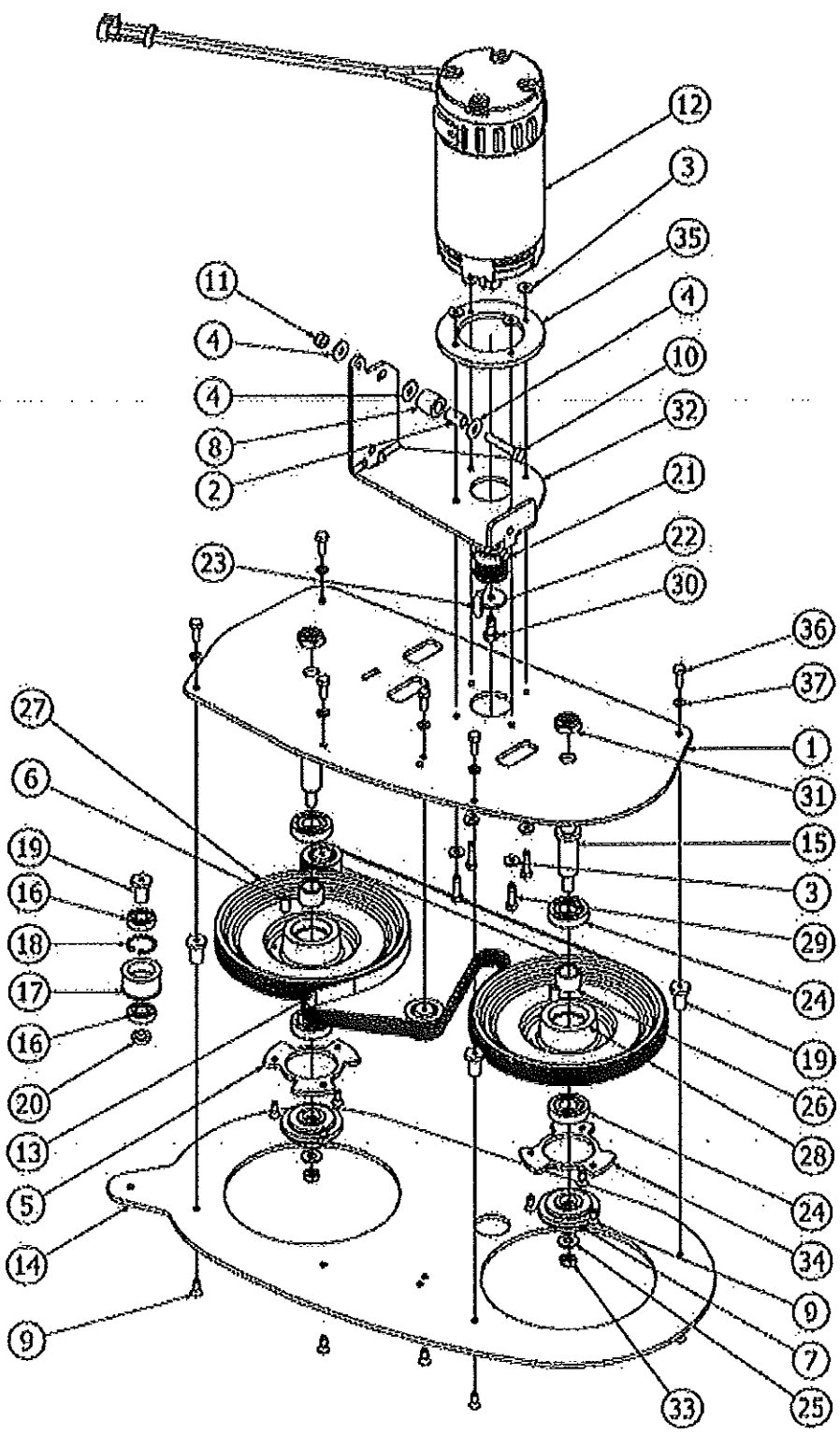
Tacony [Nov. 20, 2012]/National Accounts/Floorkeeper 24 TD/Head Lifting Assembly



Tacony [Nov. 20, 2012]/National Accounts/Floorkeeper 24 TD/Head Lifting Assembly

| No. | Part No. | Qty. | Description | SELL |
|-----|----------|------|-----------------------------------------|------|
| 1 | 850802 | 1 | BRACKET, LIFT, HEAD | |
| 2 | 855601 | 4 | MOUNT, BEARING, PLASTIC | |
| 3 | W117D | 5 | SCREW, HEX, .25-20 X 2.0, SS | |
| 4 | W104D | 4 | WASHER, FLAT, .25 | |
| 5 | 920011 | 5 | NUT, NYLOCK, 1/4-20, ZINC | |
| 6 | 855105 | 1 | LEVER, DOWNPRESSURE, DUAL | |
| 7 | 855103 | 1 | LABEL, GRIP, FOOT | |
| 8 | 855004 | 1 | KNOB, OVAL, .31-18 | |
| 9 | 980094 | 3 | WASHER, SPLIT LOCK, .31, SS | |
| 10 | 962265 | 2 | SCREW, BUTTON, SOCKET, .31-18 X .75, SS | |
| 11 | 858303 | 1 | SPRING, EXTENSION | |
| 12 | 853801 | 1 | GUIDE, LEVER | |
| 13 | 980093 | 1 | WASHER, WAVE, .50INCH | |
| 14 | 980612 | 2 | WASHER, NYL, .50X 1.25 X .062 | |
| 15 | 980107 | 1 | WASHER, FLAT, .31ID, 1.0OD, .12THK, SS | |
| 16 | 962279 | 4 | SCREW, SOCKET CAP, .31X1.0, SS | |
| 17 | 850811 | 1 | BRACKET, GUIDE, HEAD | |
| 18 | W243D | 2 | WASHER, FLAT, 5/16, SS | |
| 19 | 853802 | 2 | GUIDE, SPACER, ROUND | |
| 20 | 920037 | 1 | NUT, THIN JAM, 1/4-20, ZINC | |
| 21 | 858304 | 1 | SPRING, EXTENSION | |
| 22 | 920012 | 3 | NUT, NYLOCK, 5/16-18, ZINC | |

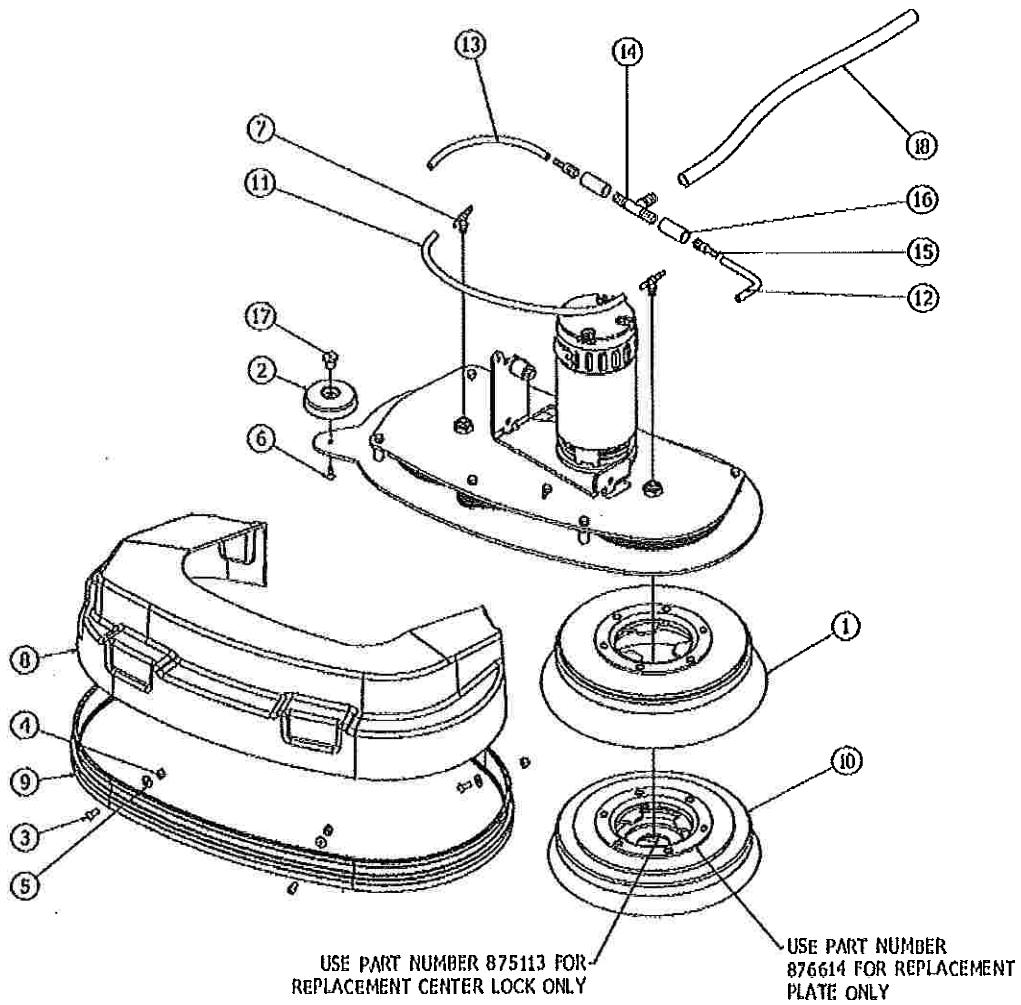
Tacony [Nov. 20, 2012]/National Accounts/Floorkeeper 24 TD/Head Assembly (1 of 2)



Tacony [Nov. 20, 2012]/National Accounts/Floorkeeper 24 TD/Head Assembly (1 of 2)

| Qty. | Part No. | Description | SELL0 |
|------|----------|------------------------------------------|-------|
| 1 | 876602 | PLATE, MTG, 24 INCH | |
| 2 | 858203 | SPACER, WHEEL, GUIDE | |
| 3 | W104D | WASHER, FLAT, .25 | |
| 4 | W243D | WASHER, FLAT, 5/16, SS | |
| 5 | 853803 | GUIDE, DRIVER LH | |
| 6 | 857002 | PLUNGER, SPRING, SET SCREW | |
| 7 | 873801 | GUIDE, PAD, PLASTIC | |
| 8 | 857501 | ROLLER, PLASTIC | |
| 9 | 962274 | SCREW, FLAT, SOCK, .25-20X.62, SS, PATCH | |
| 10 | 962270 | SCREW, HEX, 5/16-18X1.75,SS | |
| 11 | 920012 | NUT, NYLOCK, 5/16-18, ZINC | |
| 12 | 855204 | MOTOR, 24V, 2200 RPM, .75HP | |
| 13 | 903046 | BELT, V-GROOVE, STRETCH | |
| 14 | 876606 | PLATE,COVER,24INCH | |
| 15 | 877701 | SHAFT, PULLEY, HEAD | |
| 16 | 902035 | BEARING, .5 ID, 1.1875 OD | |
| 17 | 876901 | PULLEY, IDLER | |
| 18 | 877302 | RING, RETAINING, INT, 1.12 DIA | |
| 19 | 878201 | SPACER, IDLER | |
| 20 | 878202 | SPACER, IDLER, PLAIN | |
| 21 | 876902 | PULLEY, MOTOR, DRIVE | |
| 22 | 980108 | WASHER, FLAT, .31ID, 1.25OD, .12THK, SS | |
| 23 | 915006 | KEY, 8MM X 7MM X 28MM | |
| 24 | 902053 | BEARING, .75 ID, DBL SEAL | |
| 25 | 980003 | WASHER, FLAT, .38 | |
| 26 | 878203 | SPACER, BEARING | |
| 27 | 874304 | HUB, PULLEY, MACH GROOVED | |
| 28 | 874303 | HUB, PULLEY, MACH FLAT | |
| 29 | 964008 | SCREW, HEX, M6 X 25, SS, PATCH | |
| 30 | 964060 | SCREW, HEX, M8-1.25 X 20, SS | |
| 31 | 920039 | NUT, .62-18, NYLOCK, LOW | |
| 32 | 870814 | BRACKET, SUPPORT, 24XM | |
| 33 | 920035 | NUT, NYLOCK, .38-16, SS | |
| 34 | 873802 | GUIDE, DRIVER, RH | |
| 35 | 878206 | SPACER, MOTOR, 24INCH | |
| 36 | W189D | SCREW, HEX, 1/4-20 X .75, SS, PATCH | |
| 37 | 980002 | WASHER, LOCK, SPLIT, .25 | |

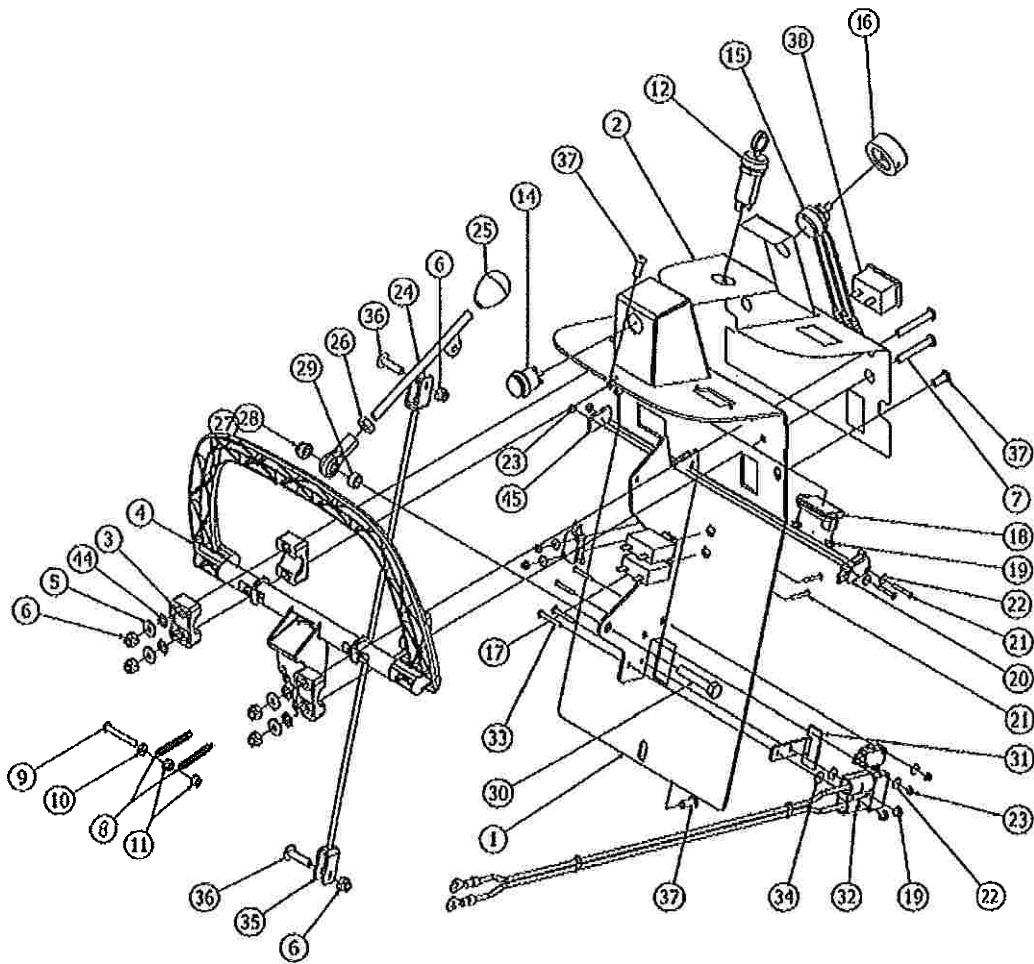
Tacony [Nov. 20, 2012]/National Accounts/Floorkeeper 24 TD/Head Assembly (2 of 2)



Tacony [Nov. 20, 2012]/National Accounts/Floorkeeper 24 TD/Head Assembly (2 of 2)

| No. | Part No. | Qty. | Description | SELL0 |
|-----------|----------------|------|-----------------------------------------------------------------------|-------|
| 1 | 870902 | 2 | BRUSH, PDLY, 12 INCH | |
| 2 | 859703 | 1 | WHEEL, GUIDE | |
| 3 | 962263 | 4 | SCREW, BUTT, SOCK, .25-20X.62, SS BO SCREW, BUTT, SOCK, .25-20X.62,SS | |
| 4 | 920665 | 4 | NUT, NYLOCK, 1/4-20, SS | |
| 5 | W104D | 12 | WASHER, FLAT, .25 | |
| 6 | 962274 | 13 | SCREW, FLAT, SOCK, .25-20X.62, SS, PATCH | |
| 7 | 873302 | 2 | FITTING, TEE, PM02XBM04 | |
| 8 | 872305 | 1 | SHROUD,HEAD,24INCH | |
| 9 | 858503 | 1 | SKIRT, BRISTLE | |
| 10 | 875901 | 2 | DRIVER, PAD, 12INCH, BRISTLE | |
| 11 | 204179 - 16.0" | 1 | TUBING, 1/4" | |
| 12 | 204179 - 9.75" | 1 | TUBING, 1/4" | |
| 13 | 204179 - 8.25" | 1 | TUBING, 1/4" | |
| 14 | 873308 | 1 | FITTING, TEE, 0.50 INCH | |
| 15 | 853301 | 2 | FITTING,REDUCER,BM08,BM04 | |
| 16 | 224130 - 1.75" | 2 | TUBING, 1/2" | |
| 17 | 878205 | 1 | SPACER, WHEEL, GUIDE | |
| 18 | 224130 - 20.0" | 1 | TUBING, 1/2" | |
| Not Shown | 870908 | 2 | BRUSH,NYLON, 12INCH | |
| Not Shown | 870909 | 2 | BRUSH, GRIT, 12 INCH | |

Tacony [Nov. 20, 2012]/National Accounts/Floorkeeper 24 TD/Controls

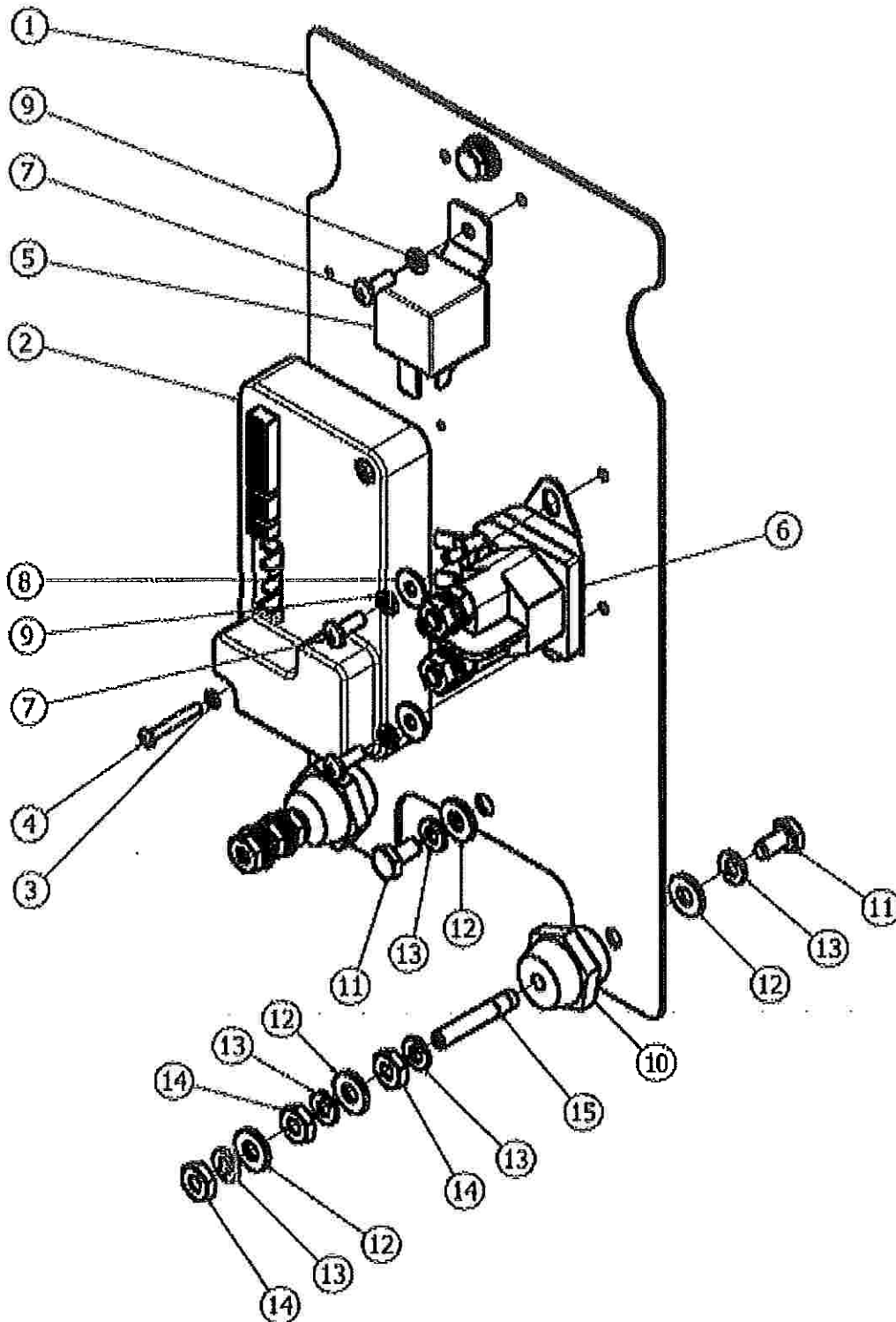


Tacony [Nov. 20, 2012]/National Accounts/Floorkeeper 24 TD/Controls

| No. | Part No. | Qty | Description | SELL0 |
|-----|----------|-----|---------------------------------------|-------|
| 1 | 857101 | 1 | PANEL, CONTROLS | |
| 2 | 855112 | 1 | LABEL, CONTROL, TRACTION | |
| 3 | 855601 | 4 | MOUNT, BEARING, PLASTIC | |
| 4 | 851301 | 1 | BAIL, MOLDED | |
| 5 | W104D | 4 | WASHER, FLAT, .25 | |
| 6 | 920011 | 6 | NUT, NYLOCK, 1/4-20, ZINC | |
| 7 | 962264 | 4 | SCREW, BUTTON, SOCKET, .25 X 1.75, SS | |
| 8 | 858302 | 2 | SPRING, EXTENSION | |
| 9 | 962146 | 1 | SCREW, PAN, #10-32 X 1.5, FULL, ZINC | |
| 10 | 920013 | 1 | NUT, #10-32, ZINC | |
| 11 | 920666 | 2 | NUT, NYLOCK, #10-32, SS | |
| 12 | 911647 | 1 | SWITCH, KEY | |
| 13 | 855012 | 1 | KEY, REPLACEMENT, SCRUBBER | |
| 14 | 911653 | 1 | SWITCH, ROUND, ON - MOM | |
| 15 | 911664 | 1 | POTENTIOMETER ASSY, 5K | |
| 16 | 855001 | 1 | KNOB, ADJUST, .25 BORE | |
| 17 | 911622 | 2 | CIRCUIT BREAKER, 30 AMPS | |
| 18 | 911621 | 1 | METER, BATTERY | |
| 19 | 920034 | 4 | NUT, NYLOCK, #6-32, SS | |
| 20 | 911646 | 3 | SWITCH, SNAP, WITH ROLLER | |
| 21 | 962273 | 6 | SCREW, PAN, #4-40 X .88, ZINC | |
| 22 | 980682 | 6 | WASHER, FLAT, #4, ZINC | |
| 23 | W385D | 6 | NUT, NYLOCK, #4-40, ZINC | |
| 24 | 855106 | 1 | LEVER, LIFT, SQUEEGEE | |
| 25 | 855004 | 1 | KNOB, OVAL, .31-18 | |
| 26 | 920038 | 1 | NUT, HEX, .31-24, SS | |
| 27 | 902050 | 1 | BEARING, ROD END, .31-24 | |
| 28 | 920012 | 1 | NUT, NYLOCK, 5/16-18, ZINC | |
| 29 | 853802 | 1 | GUIDE, SPACER, ROUND | |
| 30 | 962270 | 1 | SCREW, HEX, 5/16-18X1.75,SS | |
| 31 | 850806 | 1 | BRACKET, PLUG | |
| 32 | 911645 | 1 | HARNESS, CHARGER, POST | |
| 33 | W132D | 2 | SCREW, PAN, #6-32 X 1.0, ZINC | |
| 34 | 980033 | 2 | WASHER, FLAT, #6, SS | |
| 35 | 852401 | 1 | CABLE, LIFT, CLEVIS | |
| 36 | 962455 | 2 | SCREW, TRUSS, .25-20 X 1.0 | |
| 37 | 962263 | 4 | SCREW, BUTT, SOCK, .25-20X.62,SS BO | |

| No. | Part No. | Qty. | Description | SELL0 |
|-----------|----------|------|---------------------------------------------|-------|
| 38 | 911661 | 1 | METER, HOUR, DIGITAL (OPTIONAL) | |
| Not Shown | 911690 | 1 | HARNESS, SIGNAL, FLOORKEEPER 20 PD | |
| Not Shown | 911670 | 1 | HARNESS, POWER, FLOORKEEPER 20 OB | |
| Not Shown | 911643 | 1 | HARNESS, POWER, TRACTION, FLOORKEEPER 20 TD | |
| Not Shown | 911691 | 1 | HARNESS, POWER FLOORKEEPER 24 TD | |
| 44 | 980029 | 4 | WASHER, LOCK, STAR, EXTERNAL | |
| 45 | 856608 | 2 | PLATE, MOUNTING | |

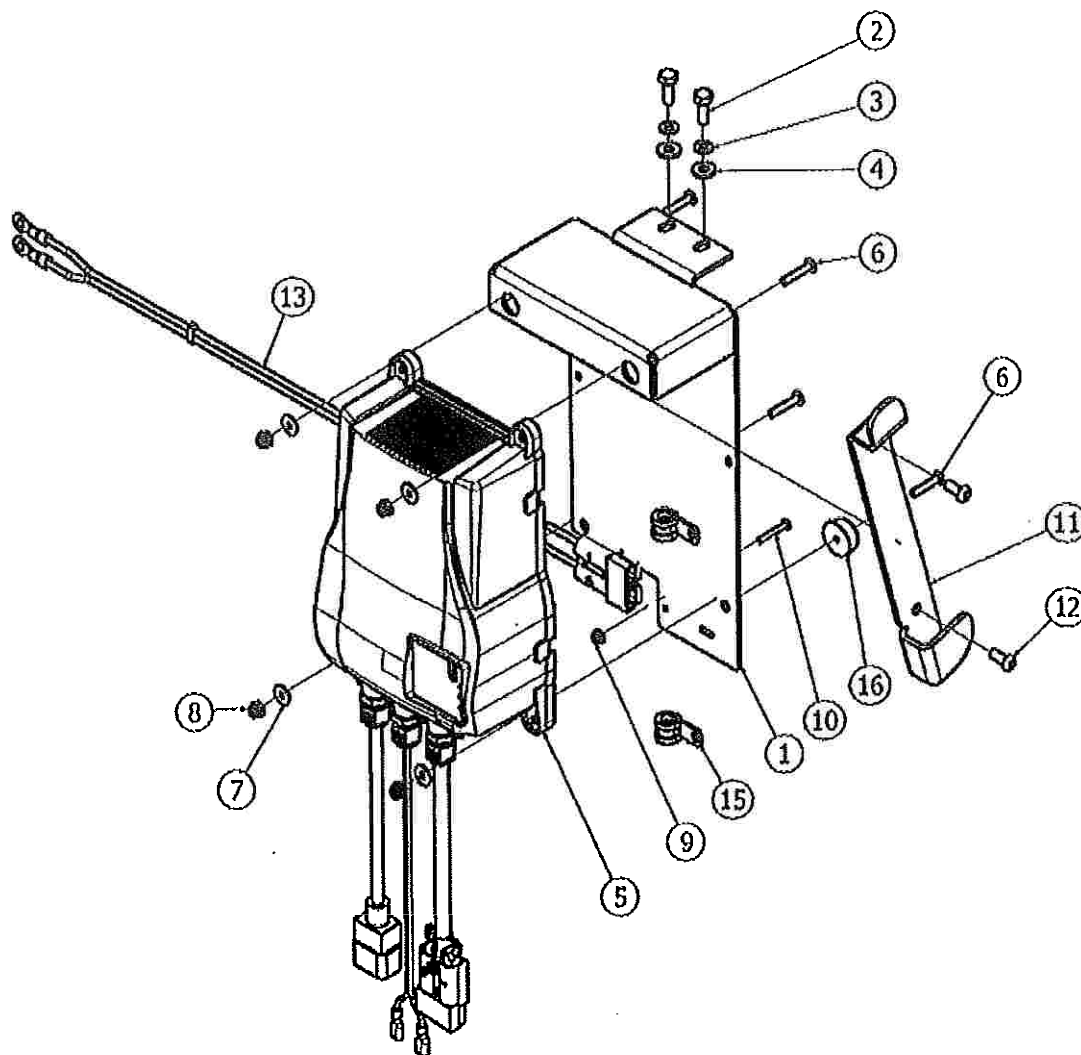
Tacony [Nov. 20, 2012]/National Accounts/Floorkeeper 24 TD/Electronics



Tacony [Nov. 20, 2012]/National Accounts/Floorkeeper 24 TD/Electronics

| No. | PartNo. | Qty. | Description | SELL0 |
|-----|---------|------|----------------------------------------|-------|
| 1 | 859801 | 1 | PANEL, ELECTRONICS | |
| 2 | 859101 | 1 | CONTROLLER, I-DRIVE, S-20 | |
| 3 | 980025 | 4 | WASHER, SPLIT LOCK, #6, ZINC | |
| 4 | W323D | 2 | SCREW, PAN, #6-32 X 1.0, ZINC | |
| 5 | 912402 | 1 | CONTACTOR, 24VDC, 70A | |
| 6 | 912401 | 1 | CONTACTOR, 24V, 100A | |
| 7 | 962363 | 3 | SCREW, PAN, #10-32 X .50, SS | |
| 8 | W401D | 2 | WASHER, FLAT, #10 | |
| 9 | 980022 | 3 | WASHER, LOCK, 5PLIT, #10 | |
| 10 | 858501 | 2 | ST.AND-OFF, INSULATED, .25-20 | |
| 11 | W169D | 4 | SCREW, HEX, .25-20 X .50 | |
| 12 | W104D | 8 | WASHER, FLAT, .25 | |
| 13 | 980002 | 10 | WASHER, LOCK, SPLIT, .25 | |
| 14 | 920037 | 6 | NUT, THIN JAM, 1/4-20, ZINC | |
| 15 | 962276 | 2 | SCREW, SET, .25-20 X 1.25, ZINC, PATCH | |

Tacony [Nov. 20, 2012]/National Accounts/Floorkeeper 24 TD/Battery Charger



Tacony [Nov. 20, 2012]/National Accounts/Floorkeeper 24 TD/Battery Charger

| No. | Part No. | Qty | Description | SELL0 |
|-----------|----------|-----|----------------------------------------|-------|
| 1 | 850804 | 1 | BRACKET,MTG,CHARGER | |
| 2 | W189D | 2 | SCREW, HEX, 1/4-20 X .75, SS, PATCH | |
| 3 | 980002 | 2 | WASHER, LOCK, SPLIT, .25 | |
| 4 | W104D | 2 | WASHER, FLAT, .25 | |
| 5 | 99822PT | 1 | Battery Charger 24 VDC Universal Input | |
| 6 | 962186 | 4 | SCREW, PAN, #10-32 X 1.0, SS | |
| 7 | W401D | 4 | WASHER, FLAT, #10 | |
| 8 | 920666 | 4 | NUT, NYLOCK, #10-32, SS | |
| 9 | 920034 | 1 | NUT, NYLOCK, #6-32, SS | |
| 10 | W132D | 1 | SCREW, PAN, #6-32 X 1.0, ZINC | |
| 11 | 850805 | 1 | BRACKET,MTG,CORD | |
| 12 | 962263 | 2 | SCREW, BUTT, SOCK, .25-20X.62,SS BO | |
| 13 | 911645 | 1 | HARNESS,CHARGER,POST | |
| Not Shown | 908128 | 1 | CORD, 3M, 3X18SJT, 5-15, IEC C-13 | |
| 15 | 852101 | 2 | CLAMP, WIRE, P-SHAPED | |
| 16 | 501210 | 2 | BUMPER | |