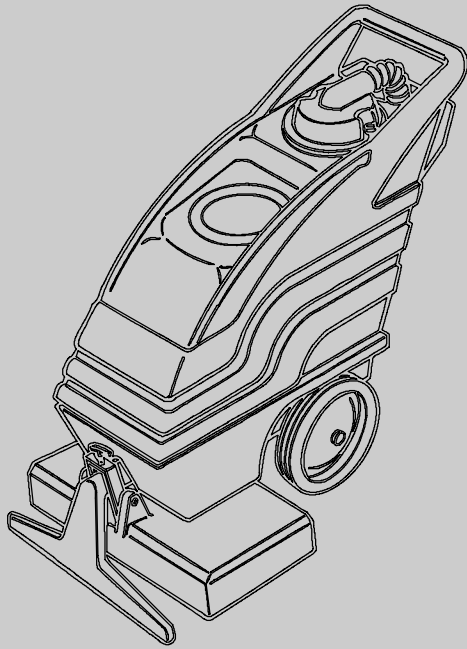




1240/1260

Self-Contained Carpet Extractor

English **EN**
Operator Manual



Model Part No.:
M611370 - 1240
M611371 - 1260



www.tennantco.com

611608
Rev. 01 (04-2006)



This manual is furnished with each new model. It provides necessary operation and maintenance instructions.

Read this manual completely and understand the machine before operating or servicing it.

A complete illustrated Parts List manual is also furnished with each new model. Use the Parts List manual to order replacement parts. Before ordering parts or supplies, be sure to have your machine model number and serial number available. Parts and supplies may be ordered by phone or mail from any authorized parts and service center, distributor or from any of the manufacturer's subsidiaries.

This machine will provide excellent service. However, the best results will be obtained at minimum costs if:

- The machine is operated with reasonable care.
- The machine is maintained regularly - per the machine maintenance instructions provided.
- The machine is maintained with manufacturer supplied or equivalent parts.

MACHINE DATA


Please fill out at time of installation for future reference.

Model No.- _____


Install. Date - _____

Serial No.- _____

PROTECT THE ENVIRONMENT



Please dispose of packaging materials, old machine components such as batteries, hazardous fluids such as antifreeze and oil, in a safe environmentally way according to your local waste disposal regulations.



Always remember to recycle.

TENNANT N.V.
Industrielaan 6 5405 AB
P.O. Box 6 5400 AA Uden-The Netherlands

europa@tennantco.com
www.tennantco.com

Specifications and parts are subject to change without notice.
Copyright ©2001, 2006 Tennant Company. All rights reserved.

EN **EC DECLARATION OF CONFORMITY FOR MACHINERY** (Directive 98//37/EEC, Annex II, sub A)

TENNANT N.V.
Industrielaan 6 5405 AB
P.O. Box 6 5400 AA
Uden - The Netherlands
Uden, 25-04-06

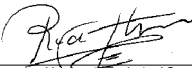
Model: **1240/1260** nr.: M611370, M611371

Herewith declares, on our own responsibility, that the machinery

- is in conformity with the provisions of the Machinery Directive (98/37/EEC), as amended with national implementing legislation
- is in conformity with the provisions of the E.M.C. Directive (89/336/EEC), as amended with 91/263 EEC, 92/31 EEC, 93/67EEC , 93/68 EEC
- is in conformity with the provisions of the provisions of the Low Voltage Directive (73/23/EEC), as amended with 93/68 EEC and with national implementing legislation (for electric models)

and that

- the following (parts/clauses of) harmonized standards have been applied: EN: 292-1, 292-2, 292-3, 1050, 418, 982, 1037, 60204-1, 61310-1, 61310-2, 457, 614-1, 1005-3, 563, 50081-2, 50082-2, 12895, ISO: 3744, 3746
- the following (parts/clauses of) national technical standards and specifications have been used: NA


Richard van den Hoogen - Technical Support Engineer

CE

TABLE OF CONTENTS

SAFETY PRECAUTIONS	4	MACHINE MAINTENANCE	7
GROUNDING INSTRUCTIONS	4	DAILY MAINTENANCE	7
MACHINE COMPONENTS	5	WEEKLY MAINTENANCE	7
MACHINE SETUP	5	MONTHLY MAINTENANCE	8
MACHINE OPERATION	6	QUARTERLY MAINTENANCE	8
PRE-OPERATION	6	SERVICING MACHINE	8
CLEANING CARPETS	6	STORING MACHINE	8
WHILE OPERATING	6	RECOMMENDED STOCK ITEMS	8
CLEANING WITH ACCESSORY TOOLS ...	6	TROUBLE SHOOTING	9
DRAINING TANKS	7	SPECIFICATIONS	10
DRAINING RECOVERY TANK	7		
DRAINING LEFTOVER CLEANING SOLUTION	7		

SAFETY PRECAUTIONS

This machine is intended for commercial use. It is designed to clean carpet and upholstery in an indoor environment and is not constructed for any other use. Use only recommended cleaning solutions and accessory tools.

All operators must read, understand and practice the following safety precautions.

The following safety alert symbols are used throughout this manual as indicated in their description:

⚠ WARNING: To warn of hazards or unsafe practices which could result in severe personal injury or death.

FOR SAFETY: To identify actions which must be followed for safe operation of equipment.

The following information signals potentially dangerous conditions to the operator or equipment:

FOR SAFETY:

1. **Do not operate machine:**
 - Unless trained and authorized.
 - Unless operator manual is read and understood.
 - In flammable or explosive areas.
 - With damaged cord or plug.
 - If not in proper operating condition.
 - In outdoor areas.
 - In standing water.
 - Unless cord is properly grounded.
 - With the use of an extension cord.
2. **Before operating machine:**
 - Make sure all safety devices are in place and operate properly.
3. **When using machine:**
 - Do not run machine over cord.
 - Do not pull machine by plug or cord.
 - Do not pull cord around sharp edges or corners.
 - Do not unplug by pulling on cord.
 - Do not stretch cord.
 - Do not handle plug with wet hands.
 - Keep cord away from heated surfaces.
 - Report machine damage or faulty operation immediately.
 - Follow mixing and handling instructions on chemical containers.

4. **Before leaving or servicing machine:**
 - Turn off machine.
 - Unplug cord from wall outlet.
5. **When servicing machine:**
 - Unplug cord from wall outlet.
 - Avoid moving parts. Do not wear loose jackets, shirts, or sleeves.
 - Use manufacturer supplied or approved replacement parts.

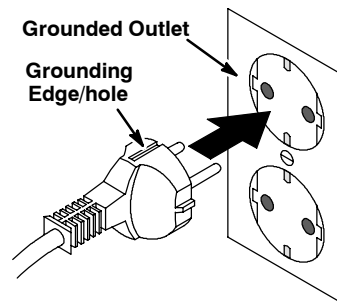
⚠ WARNING: Hazardous Voltage. Shock or electrocution can result. Always unplug machine before servicing.

⚠ WARNING: Flammable materials can cause an explosion or fire. Do not use flammable materials in tank(s).

⚠ WARNING: Flammable materials or reactive metals can cause an explosion or fire. Do not pick up.

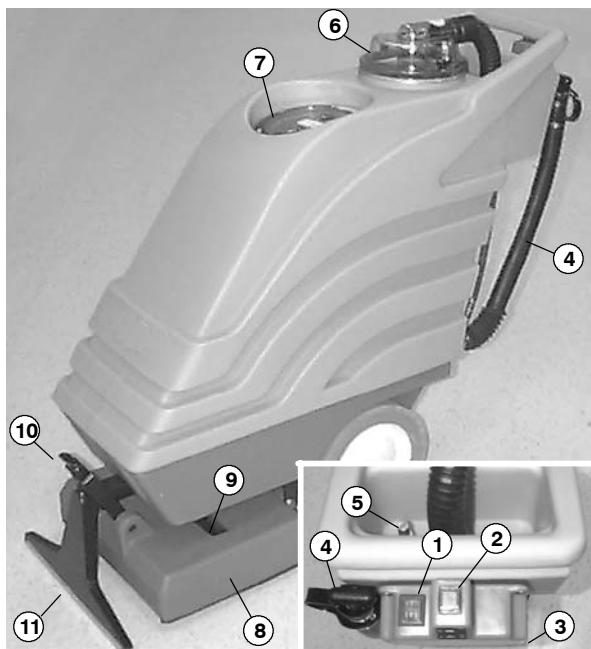
GROUNDING INSTRUCTIONS

Machine must be grounded. If it should malfunction or breakdown, grounding provides a path of least resistance for electrical current to reduce the risk of electrical shock. This machine is equipped with a cord having an equipment-grounding conductor and grounding plug. The plug must be plugged into an appropriate outlet that is properly installed in accordance with all local codes and ordinances.



(230V/240V)

MACHINE COMPONENTS



1. Vacuum/Pump Switch
2. Brush/Spray Button
3. Brush Circuit Breaker (under switchbox)
4. Drain Hose
5. Accessory Tool Hookup
6. Recovery Tank Dome
7. Solution Tank Lid
8. Power Brush Head
9. Spray Bar
10. Brush Height Adjustment Knob
11. Pick Up Head

MACHINE SETUP

1. Carefully check carton for signs of damage. Report damages at once to carrier. The machine is shipped fully assembled and is ready for operation.
2. Remove solution tank lid and fill tank with 38L (10 gal) of hot water, 60°C (140°F) maximum (Figure 1).



FIG. 1

NOTE: Use different buckets to fill and drain machine to prevent solution system clogs.

⚠ WARNING: Flammable materials can cause an explosion or fire. Do not use flammable materials in tank(s).

3. Add recommended cleaning solution. Carefully follow bottle's mixing instructions.

NOTE: If desired, water alone achieves excellent cleaning results.

FOR SAFETY: When using machine, follow mixing and handling instructions on chemical containers.

ATTENTION: If using powered cleaning chemicals, mix prior to adding.

4. Replace lid securely after filling.
5. Plug power cord into a grounded wall outlet (Figure 2).

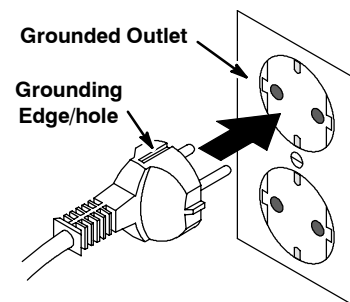


FIG. 2

FOR SAFETY: Do not operate machine unless cord is properly grounded.

FOR SAFETY: Do not operate machine with the use of an extension cord.

6. Adjust brush to proper height. With brush spinning, turn height adjustment knob until bristles touch carpet, then turn knob another half turn. Turn knob clockwise to raise and counterclockwise to lower (Figure 3).



FIG. 3

MACHINE OPERATION

FOR SAFETY: Do not operate machine unless operator manual is read and understood.

PRE-OPERATION

1. Vacuum carpet to remove particles and other debris.
2. Inspect power cord for damage.

CLEANING CARPETS

⚠ WARNING: Flammable materials or reactive metals can cause an explosion or fire. Do not pick up.

1. Turn on Vacuum/Pump switch.

NOTE: Solution spray is not activated until the Brush/Spray button is pushed.

2. Push Brush/Spray button and pull machine backwards to clean carpet (Figure 4).

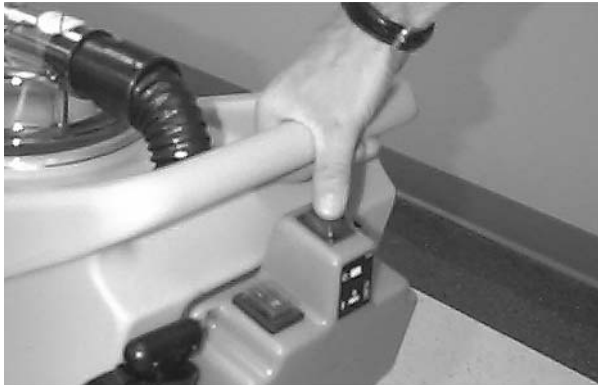


FIG. 4

3. Release button at end of path and continue to pull machine backwards to pick up excess solution.
4. Tip machine back and push forward to begin next path.
5. After cleaning carpet, speed dry carpet with the Tennant Dryer.

WHILE OPERATING

1. Overlap each path by 5cm (2 in).
2. Work away from wall outlet and power cord to prevent cord damage.
3. Check for excessive foam buildup in recovery tank. Use a recommended foam control solution to prevent motor damage.

ATTENTION: Excessive foam buildup will not activate the float shut-off screen.

4. If brush stops, the circuit breaker may have been tripped. Unplug power cord, check brush for obstruction OR raise brush height. Push brush reset button located under switch box to resume.
5. To clean heavily soiled spots, turn off Vacuum/Pump switch and use brush only, this will prevent overwetting.
6. Once pick up stops or when solution tank runs dry, you must drain recovery tank (See DRAINING TANKS).

CLEANING WITH ACCESSORY TOOLS

1. Disconnect vacuum hose from dome and replace with accessory vacuum hose. Connect accessory solution hose to quick coupler located in front of handle (Figure 5).



FIG. 5

2. Attach desired accessory tool to hoses.
3. Turn on Vacuum/Pump switch.
4. Operate accessory tools as normal (Figure 6).

NOTE: When cleaning upholstery, always check cleaning instructions sewn in furniture by manufacturer.



FIG. 6

5. After cleaning, relieve water pressure from tool before disconnecting hose. Squeeze trigger for five seconds after turning off switches.

DRAINING TANKS

FOR SAFETY: When servicing machine, unplug cord from wall outlet.

NOTE: Use different buckets to fill and drain machine to prevent solution system clogs.

DRAINING RECOVERY TANK

1. Turn off machine and unplug power cord.
2. Turn drain hose knob counterclockwise and pull out plug to drain (Figure 7).



FIG. 7

3. Replace drain hose knob securely.

DRAINING LEFTOVER CLEANING SOLUTION

1. Disconnect vacuum hose from recovery tank dome and replace with 0.9m (3 ft) clean-out hose, supplied with machine (Figure 8).



FIG. 8

2. Turn on Vacuum/Pump switch.
3. Remove solution tank lid and vacuum out leftover solution.
4. Drain recovery tank.

MACHINE MAINTENANCE

To keep machine in good working condition, simply follow machines daily, weekly and monthly maintenance procedures.

FOR SAFETY: When servicing machine, unplug cord from wall outlet.

DAILY MAINTENANCE

(Every 4 Hours of Operation)

1. Rinse out recovery tank and recovery dome thoroughly after every use.
2. Remove any lint buildup from float shut-off screen, located in recovery tank (Figure 9).



FIG. 9

3. Drain any leftover solution in solution tank.
4. Remove and rinse bladder tank screen.
5. Remove any entangled carpet fibers and debris that may be in brush.
6. Remove any clogged debris in pick up head.
7. Check power cord for damage, replace if necessary. Coil cord neatly after each use.
8. Clean machine with a nonabrasive, nonsolvent cleaner.

WEEKLY MAINTENANCE

(Every 20 Hours of Operation)

1. Inspect vacuum hose for holes and loose cuffs.
2. Inspect spray pattern for plugging. If plugged, remove spray tips and soak in acetic acid solution for up to six hours. Do not use pointed objects to unplug tips, damage will occur.
3. Inspect power cord and cord grip for damage. Replace immediately if damaged.

**MONTHLY MAINTENANCE
(Every 80 Hours of Operation)**

1. Flush pump system with an acetic acid solution to dissolve normal alkaline chemical buildup.

FOR SAFETY: When using machine, follow mixing and handling instructions on chemical containers.

- a. Premix 0.5L (16 oz.) of an acetic acid solution with 7.5L (2 gal) of hot water (60° C/140° F max.) and pour into solution tank.
 - b. Turn on Vacuum/Pump switch.
 - c. Position brush head over floor drain and operate machine for one minute.
 - d. Shut off machine and allow remaining solution to break down alkaline buildup overnight.
 - e. Next day, spray out remaining solution and flush system with 3 gal./11L of clean water.
2. Lubricate wheels with a water resistant oil.
 3. Inspect machine for water leaks.
 4. Inspect machine for loose screws.

**QUARTERLY MAINTENANCE
(Every 250 of Hours of Operation)**

Check vacuum motor for carbon brush wear. Replace brushes when worn to a length of 1cm (0.38 in) or less.

SERVICING MACHINE

⚠ WARNING: Hazardous Voltage. Shock or electrocution can result. Always unplug machine before servicing.

FOR SAFETY: When servicing machine, use manufacturer supplied or approved replacement parts.

To access internal components for repair, open machine as described below:

1. Remove two hex-head bolts at front of machine, using a 9/16" wrench.

ATTENTION: Make sure tanks are empty before opening.

2. Hinge tank backwards away from chassis. (Figure 10)

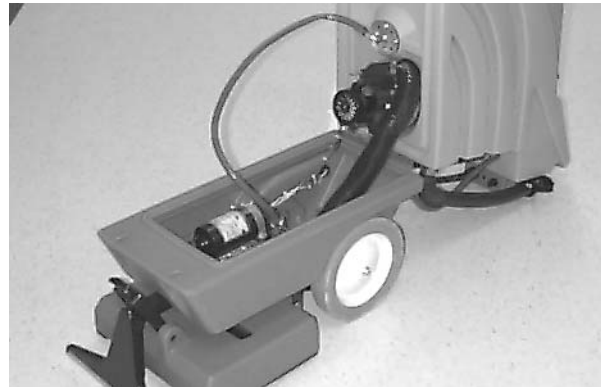


FIG. 10

3. When closing machine, be careful not to pinch any internal hoses or wiring.

STORING MACHINE

1. Before storing machine, be certain to flush tanks and drain machine of all water.
2. Store machine in a dry area in the upright position with brush raised off floor.
3. Remove recovery dome to promote air circulation.

ATTENTION: Do not expose to rain. Store indoors.

ATTENTION: If storing machine in freezing temperatures, be sure that machine, pump and spraying system are completely drained and dry.

RECOMMENDED STOCK ITEMS

Refer to the Parts List section for recommended stock items. Stock Items are clearly identified with a bullet preceding the parts description. See example below:

Ref.	Part No.	Description	Qty.
1	701103	ASM., STANDPIPE	1
2	180613	●FLOAT, SHUTOFF	1
3	230197	NIPPLE	1
4	101714	●GASKET	1
5	210240	NUT, FLANGED	1

TROUBLE SHOOTING

PROBLEM	CAUSE	SOLUTION
Machine does not operate.	Faulty switches or wiring.	Contact Service Center.
	Faulty power cord.	Contact Service Center.
	Building circuit breaker tripped.	Reset breaker.
Solution pump does not operate.	Overheated pump.	Determine cause and wait 20 minutes for pump to cool.
	Faulty solution pump.	Contact Service Center.
	Faulty solenoid.	Contact Service Center.
	Faulty switch.	Contact Service Center.
	Loose or broken wiring.	Contact Service Center.
Vacuum motor does not operate.	Vacuum motor thermal overload tripped.	Check air flow for obstruction, wait 20 minutes for motor to cool.
	Loose or broken wiring.	Contact Service Center.
	Faulty Vacuum/Pump switch.	Contact Service Center.
	Defective vacuum motor.	Contact Service Center.
	Worn carbon brushes.	Replace brushes or call for service.
Brush motor does not operate.	Brush motor circuit breaker tripped.	Remove brush obstruction OR readjust brush height. Reset brush breaker button at bottom of switch box.
	Brush/Spray button not pushed.	Push Brush/Spray Button.
	Faulty brush motor.	Contact Service Center.
	Loose or broken brush belt.	Contact Service Center.
	Faulty switch or wiring.	Contact Service Center.
Poor pick up.	Loose drain hose plug.	Cap drain hose securely.
	Clogged float shut-off screen.	Remove recovery dome and clean lint off screen.
	Air leakage around recovery dome.	Tighten recovery dome knobs or replace gaskets.
	Loose vacuum hose connections.	Secure connections.
	Defective vacuum hose.	Replace hose.
	Loose vacuum hose cuffs.	Secure cuffs to hose.
	Pulling machine too fast.	Slow down cleaning process.
Uneven or no spray.	Dirty or plugged spray tips.	Clean or replace tips.
	Improper spray tip size or spray angle.	Replace with proper tips.
	Worn spray tips.	Replace spray tips.
	Solution tank low or empty.	Refill solution tank.
	Faulty solution pump.	Contact Service Center.
	Plugged solution tank filter.	Clean filter.

SPECIFICATIONS

Model	TG 40	TG 50
Model	1240	1260
LENGTH	110cm (43 in)	110cm (43 in)
WIDTH	41cm (16 in)	51cm (20 in)
HEIGHT	86cm (34 in)	86cm (34 in)
WEIGHT	41Kg (89 lbs.)	42Kg (90lbs.)
SOLUTION TANK CAPACITY	38L (10 gal)	38L (38 gal)
RECOVERY TANK CAPACITY	55L (14.5 gal)	55L (14.5 gal)
CLEANING PATH WIDTH	41cm (16 in)	51cm (20 in)
MAXIMUM CLEANING RATE	1951m ² per hour (21,000 sq. ft)	2415m ² per hour (26,000 sq. ft.)
BRUSH MOTOR	230V, .16 hp, .5A,.12kW, 2100 rpm	230V, .16 hp, .5A,.12kW, 2100 rpm
BRUSH SPEED	1200 rpm	1200 rpm
SOLUTION PUMP	240V, 100 psi, .16 hp,.5A, .12kW	240V, 100 psi, .16 hp,.5A, .12kW
VACUUM MOTOR	240V,1.8 hp, 5.8 A, 1.4kW, 2 stage	240V,1.8 hp, 5.8A, 1.4kW, 2 stage
SEALED WATER LIFT	3.5 m (137 in)	3.5 m (137 in)
TOTAL POWER CONSUMPTION	230V, 6.5A, 1.64kW	230V, 6.5A, 1.64kW
DECIBEL RATING AT OPERATOR'S EAR, INDOORS ON CARPET	>70dB(A)	>70dB(A)