



RHINO 28TD

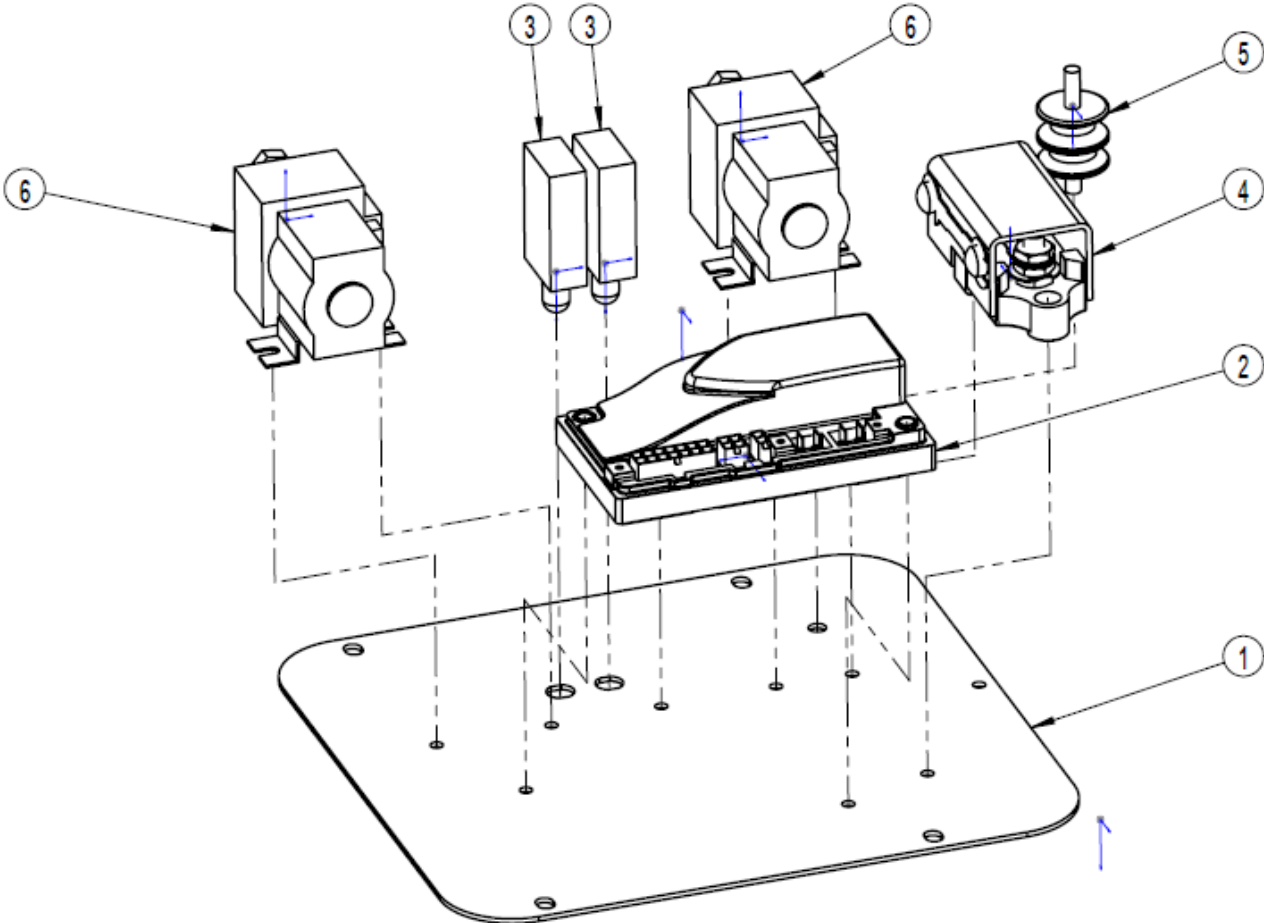
CLEANING MACHINES

RHINO 28" TRACTION DRIVE BATTERY FLOOR SCRUBBER
Parts Manual (EN)



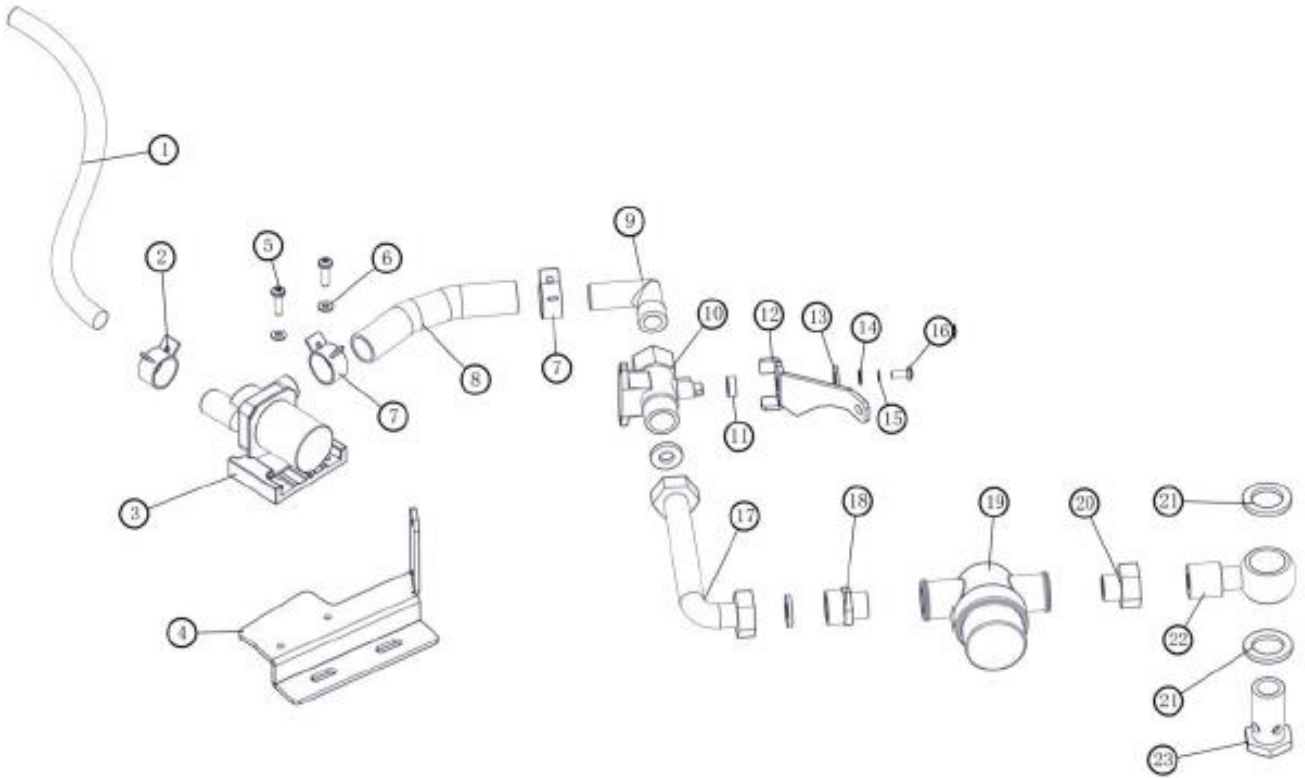
Rev. 01 (07-2024)

Electrical Group



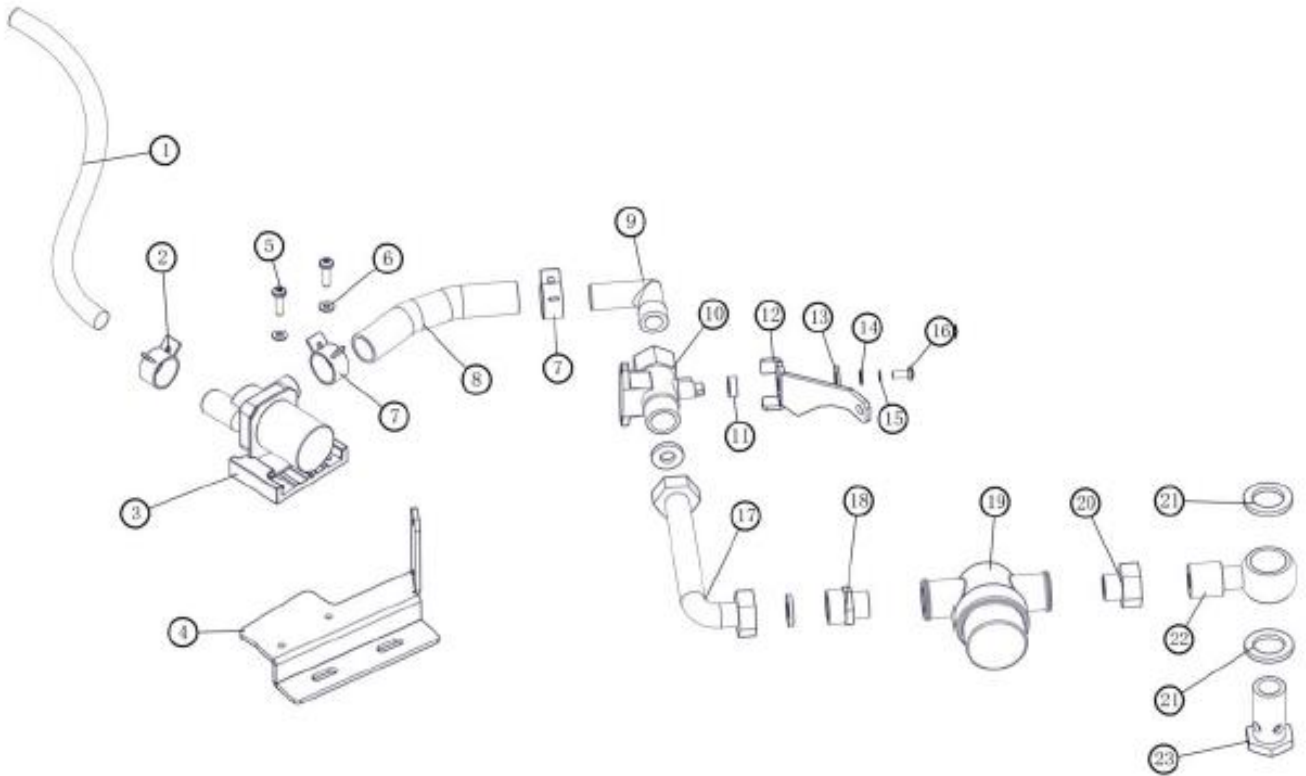
Ref.	Part No.	Description	Qty.
1	RH5000318	GM70BT electric mounting plate, GM70BT	1
2	RH5001588	Cortez drive circuit board	1
3	RH5001654	25A insurance (including waterproof cap	2
4	RH5001636	100A box. 100A	1
5	RH5001698	Insulated pile head GM110	1
6	RH5001703	New dc contactor sw60-40p	1

Hose Group



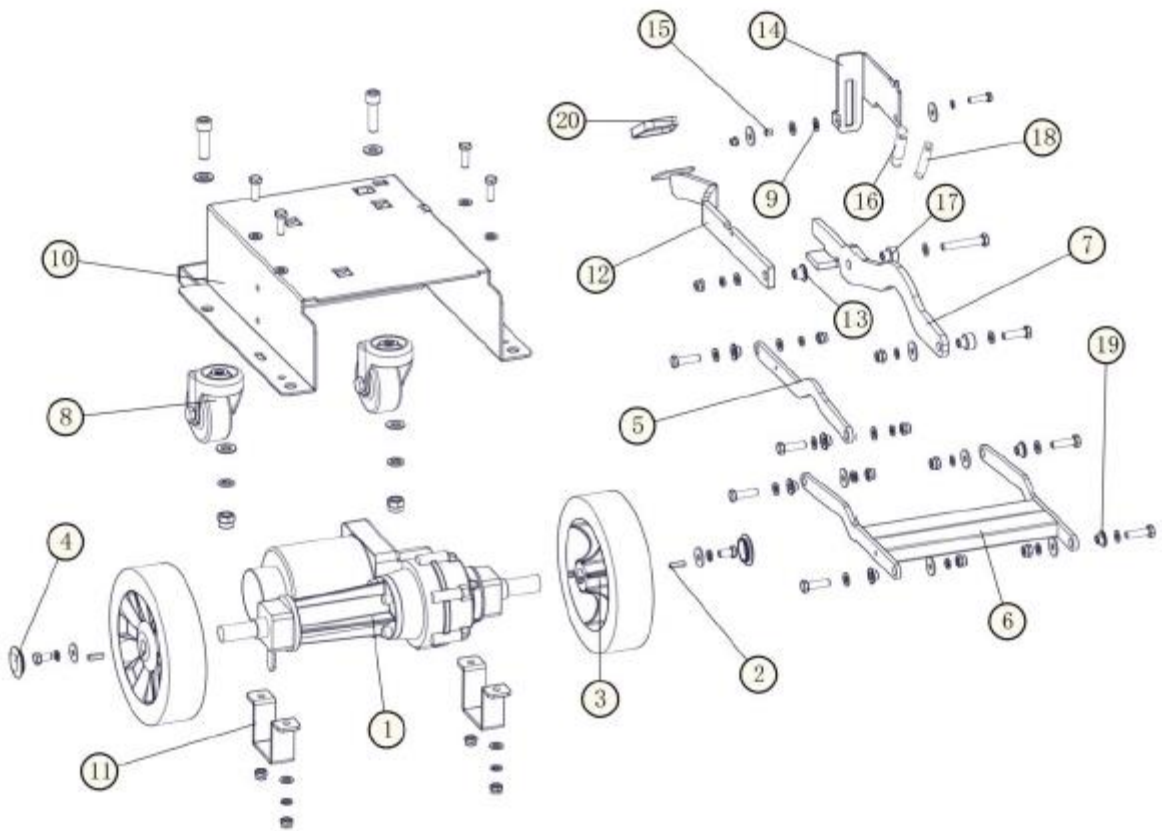
Ref.	Part No.	Description	Qty.
1	RH5002865	∅ 8 × ∅ 12 transparent silicone tube	1
2	RH5004738	13 clamp	1
3	RH5003085	GM110BT solenoid valve harness assembly	1
	RH5004720	56BT electromagnetic seat	1
4	RH5004729	56BT solenoid valve holder	1
5	RH4000036	M4*16 large pan head cross	2
6	RH4000366	M4 flat pad	2
7	RH5004739	20 clamp	2
8	RH5004321	∅ 15 × ∅ 21 braided silicone tube	1
9	RH5001436	G1/2 external wire X ∅ 16 copper elbow	1
10	RH5004736	With seat ball valve	1
11	RH5005131	Tetrafluorin gasket, 13 × 8.2 × 5.0	1
12	RH5004727	GM50B water switch handle	1

Hose Group



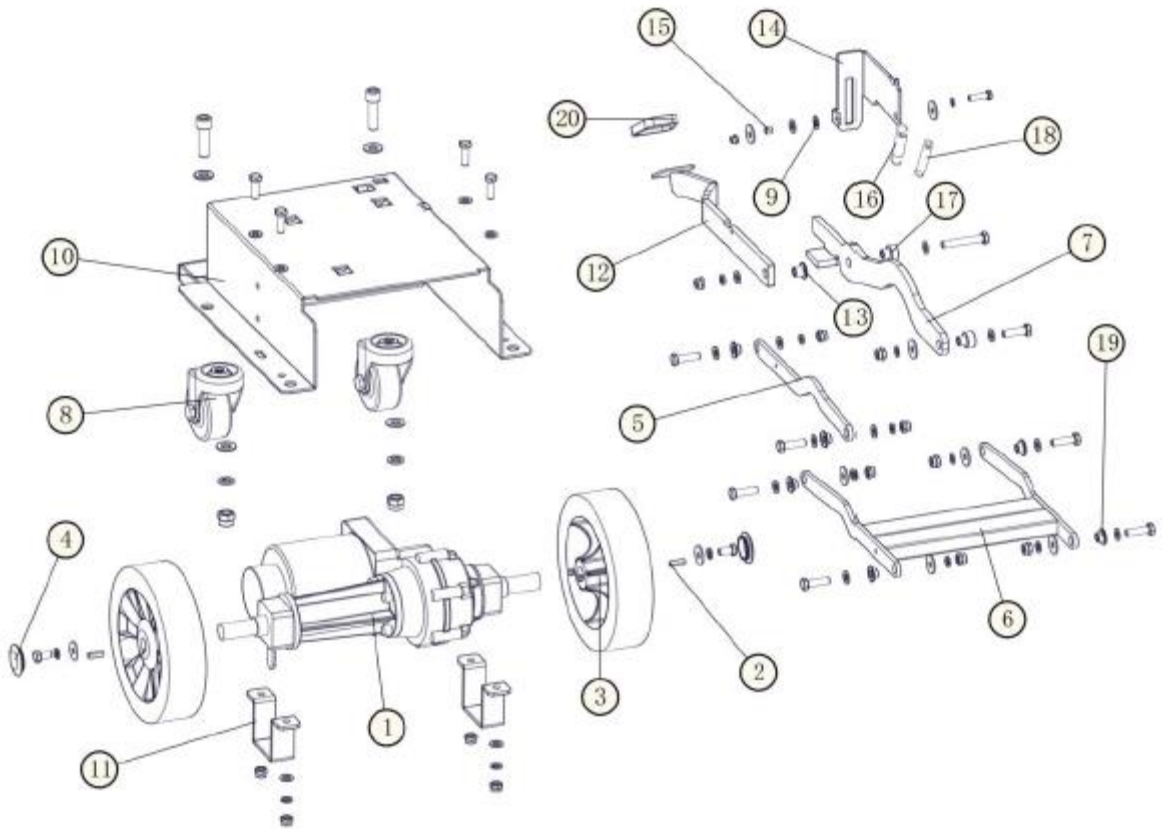
Ref.	Part No.	Description	Qty.
13	RH4000373	M8 gasket	1
14	RH4000366	M4 flat pad	1
15	RH4000403	The M4 play mat	1
16	RH4000040	M4*10 large pan head cross	1
17	RH5005052	G1/2-L130 stainless steel bellows	1
18	RH5005001	G3/8 to g1/2 wire directly	1
19	RH5004741	GM50B filter (80 mesh)	1
20	RH5004733	Three to four tap	1
21	RH4000692	Ganizational 20.9 rubber gasket	2
22	RH5003602	GM50B hollow gong	1
23	RH5005417	50B outlet fixing joint	1

Main Frame Group



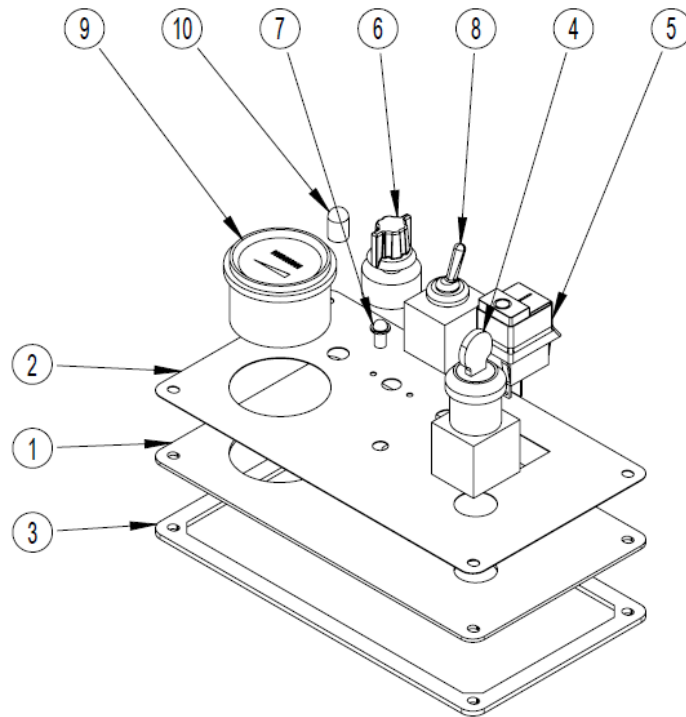
Ref.	Part No.	Description	Qty.
1	RH5002436	GM70BT drive motor (new), 25:1502mm	1
2		5*5*40key	2
3	RH5002290	70BT die-cast aluminum alloy rear wheel	2
4	RH5002053	70BT die-cast aluminum alloy wheel(red)	2
5	RH5000060	GM70BT motor connector, GM70BT	1
6	RH5000057	GM70BT motor connection bracket, GM70BT	1
7	RH5000059	GM70BT forearm lever, GM70BT	1
8	RH4000699	GM50B universal wheel, 3 × 1.25 gray hole	2
9	RH4001004	17 × 35 × 0.5 tetrafluorin gasket	1
10	RH5005189	GM50 baseplate assembly	1
11	RH5000436	GM56BT u-type press (new), GM56BT(58X58)	2
12	RH5005100	GM70BT foot arm welds	1
13	RH5000795	GM50B brush disc lifting pedal copper	1

Main Frame Group



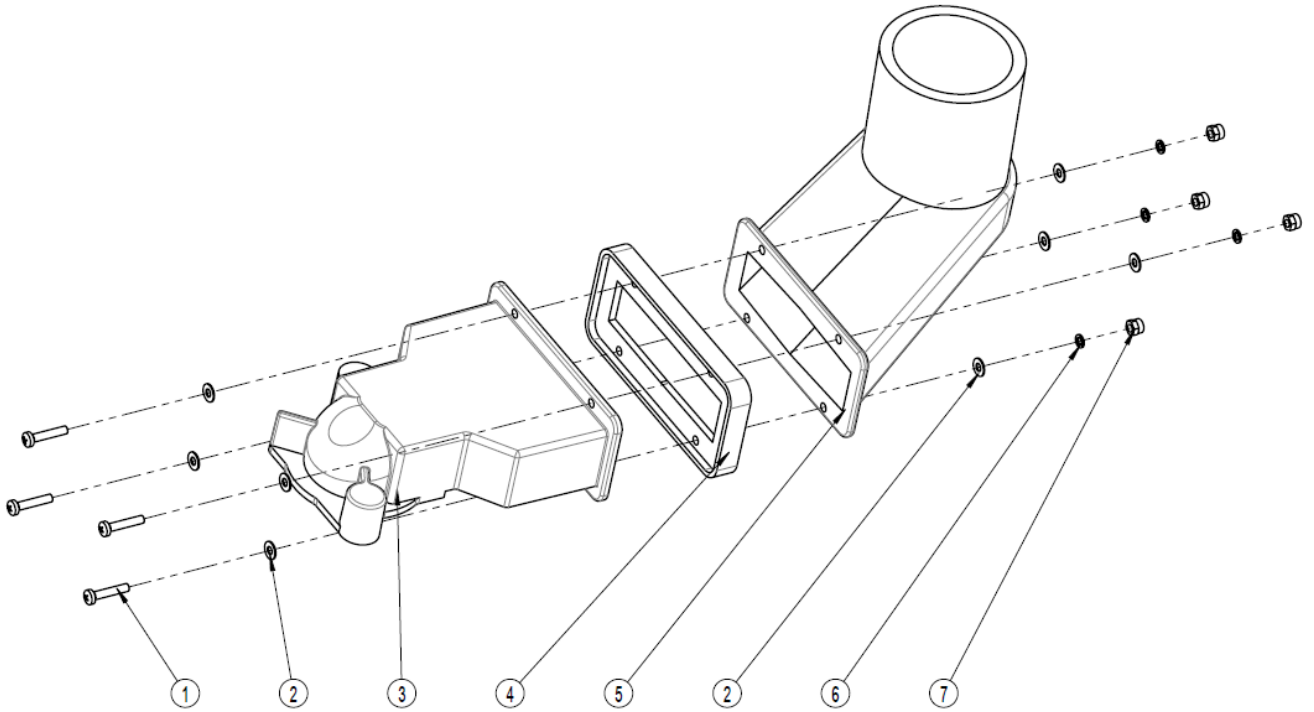
Ref.	Part No.	Description	Qty.
14	RH5000063	GM70BT brush plate adjustment fixing pl	1
15	RH5001326	GM50B brush plate adjustment fixed plate	1
16	RH5001209	50B brush disc adjustment tension spring	1
17	RH5000791	GM50B Forearm lever copper bushing Outer	2
18	RH5001210	GM50B brush plate lifting pedal spring	1
19	RH5000796	GM50B motor connection copper bushing	7
20	RH4000765	GM50B foot leather case	1

Panel Assembly Group



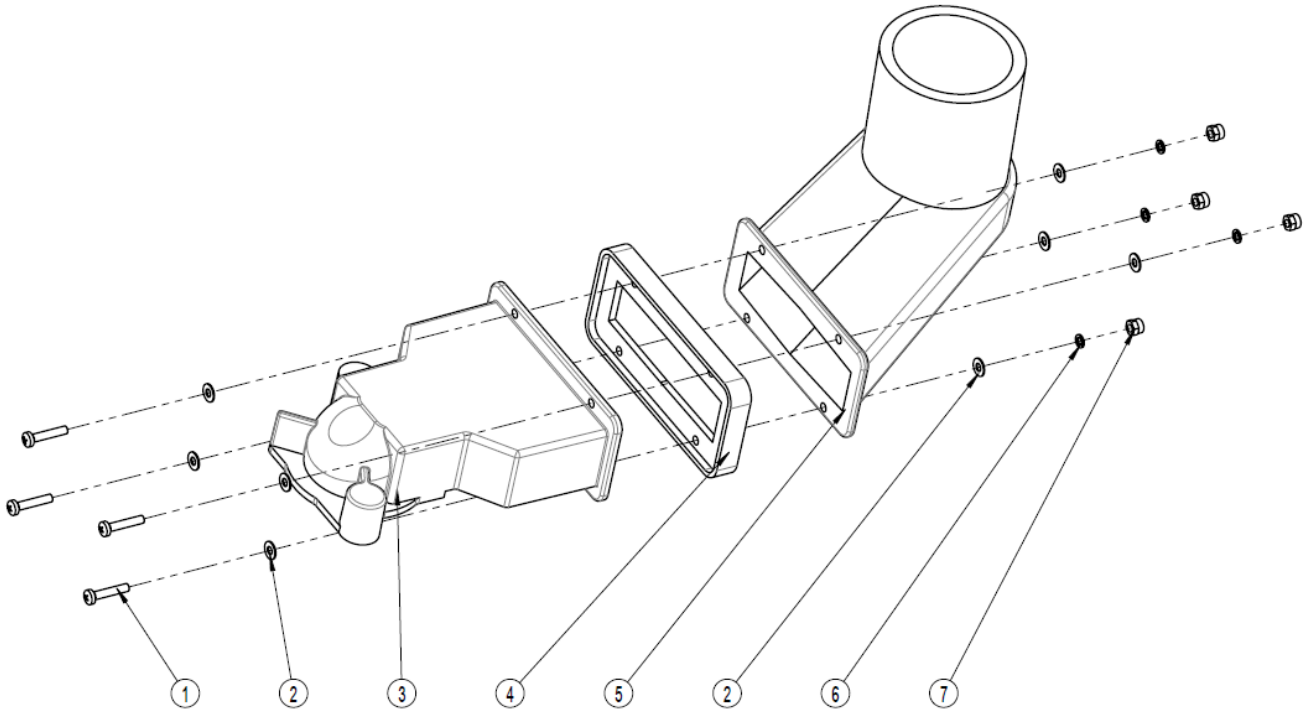
Ref.	Part No.	Description	Qty.
1	RH5000061	GM70BT control panel, GM70BT	1
3	RH5003627	GM50B control panel gasket	1
4	RH5001546	GM50B with emergency stop key switch	1
5	RH5001515	GM50B brush and suction power switch	1
6	RH5001716	Potentiometer, r24cb-10-20s-b5k-l1 (G)	1
	RH4000638	GM70BT speed control switch knob, \varnothing 25	1
7	RH5001841	Fault indicator light 24V, 24V	1
8	RH5001534	70B directional switch (including cap)	1
9	RH5001671	GM50B battery gauge 24V	1
10	RH5001643	5A protector (with waterproof cap), 5A	1

Recovery Tank Filter Assembly



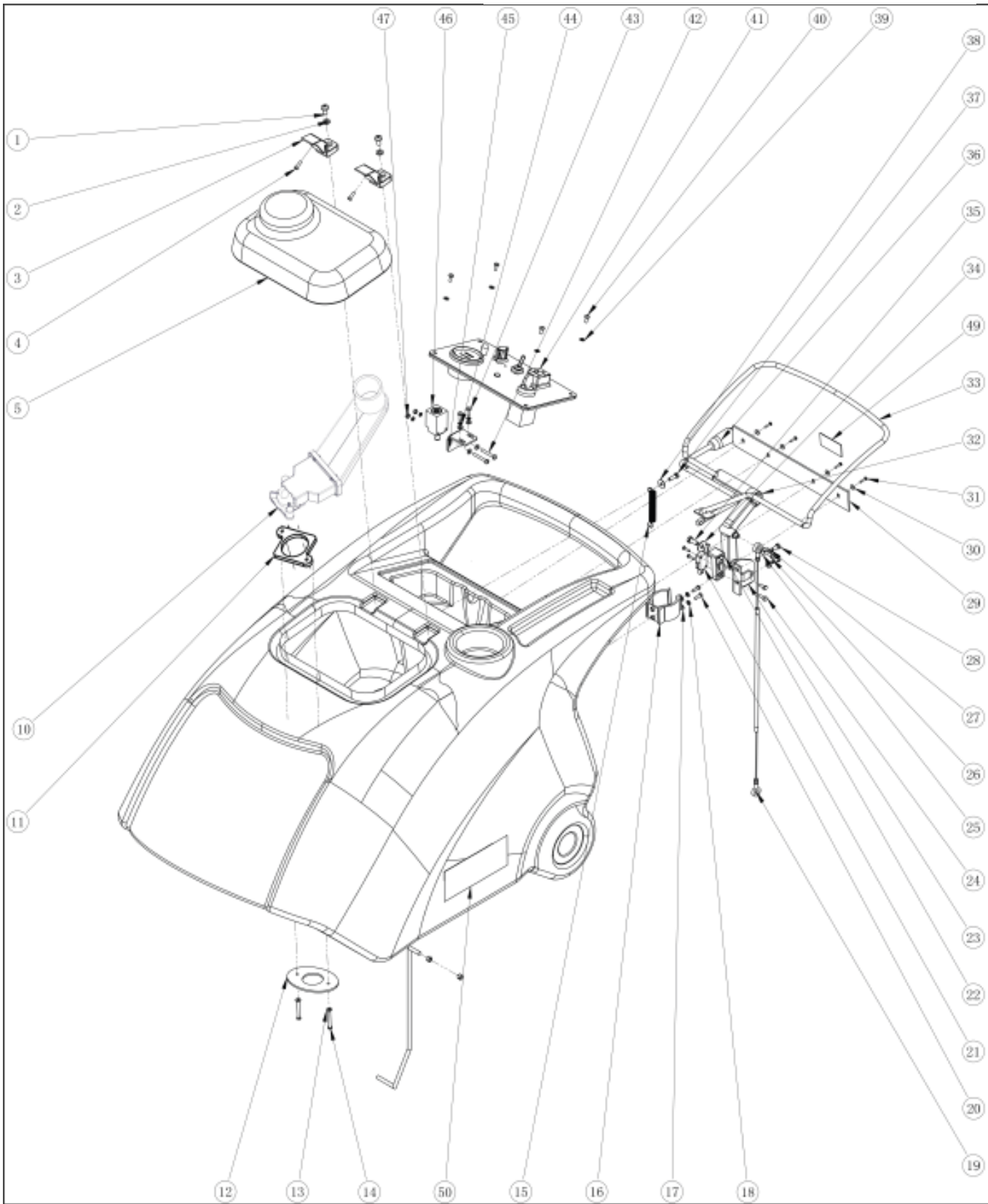
Ref.	Part No.	Description	Qty.
1	RH4000031	M3*16 pan head cross	1
2	RH4000365	M3 flat pad	8
3	RH5001926	GM50B Sewage tank filter mount	1
4	RH5002255	50B Sewage tank filter assembly leather	1
5	RH5002083	GM50B sewage tank front pipe	1
6	RH4000402	The M3 spring washers	4
7	RH4000321	M3 self-locking nut	4

Panel Assembly Group



Ref.	Part No.	Description	Qty.
1	RH4000031	M3*16 pan head cross	1
2	RH4000365	M3 flat pad	8
3	RH5001926	GM50B Sewage tank filter mount	1
4	RH5002255	50B Sewage tank filter assembly leather	1
5	RH5002083	GM50B sewage tank front pipe	1
6	RH4000402	The M3 spring washers	4
7	RH4000321	M3 self-locking nut	4

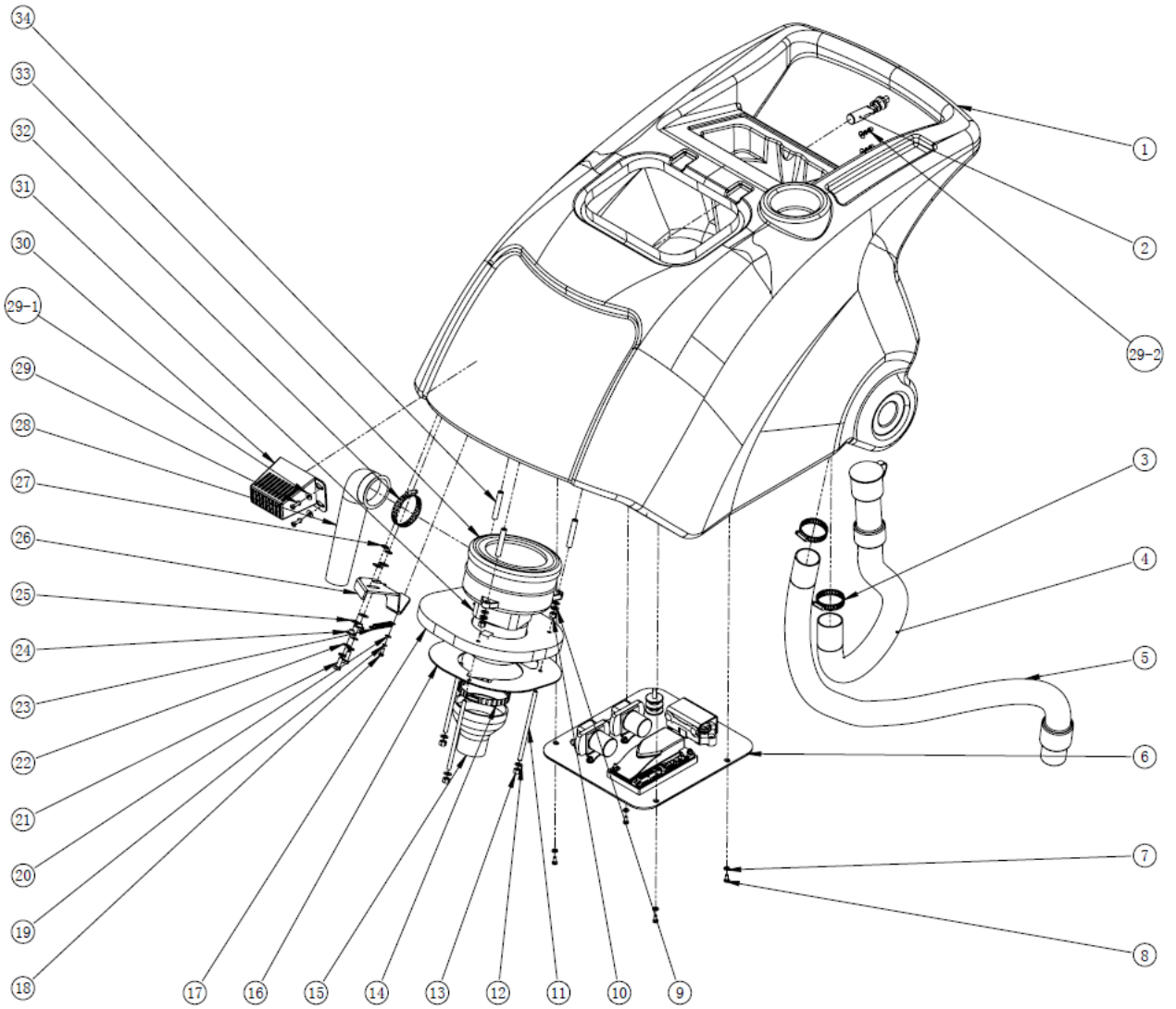
Recovery Tank Group 1



Recovery Tank Group 1

Ref.	Part No.	Description	Qty.
1	RH4000038	M4*12 large pan head cross	2
2	RH4000366	M4 flat pad, \varnothing 4.3* \varnothing 9*0.8mm	2
3	RH5002212	GM50B Sink tank transparent cover hinge	2
4	RH4000040	M4*10 large pan head cross	2
5	RH5001928	GM50B sewage tank transparent cover	1
6	RH5003613	GM50B sewage tank filter	1
10	N/A	Sewage tank strainer assembly	1
11	RH5002213	GM50B strainer pad for sewage tank	1
12	RH5000048	GM50B strainer pad for sewage tank	1
13	RH4000367	M4 increase the gasket	2
14	RH4000162	M4*35 large pan head cross	2
15	RH5001215	GM70BT drive handle spring, blackened	1
16	RH5001942	GM50B sewage pipe support	1
17	RH4000366	M4 flat pad, \varnothing 4.3* \varnothing 9*0.8mm	2
18	RH4000403	The M4 playmat	2
19	RH4001040	GM70B external wiredrawing	1
20	RH4000038	M4*12 large pan head cross	2
21	RH5001521	GM50B single-pole micro switch	1
22	RH5000030	GM50B microswitch mounting plate, GM50B	1
23	RH5000028	GM50B suction lifting bracket, GM50B	1
24	RH4000051	The M4 * 12 hex	2
25	RH4000369	M5 increase the gasket	1
26	RH4000048	ST4*10 cross attack	1
27	RH4000370	M6 flat pad, \varnothing 6.4* \varnothing 12*0.8mm	2
28	RH4000068	M6 * 12 hex	2
29	RH5000024	GM50B switch arm cover plate, GM50B	1
30	RH4000366	M4 flat pad, \varnothing 4.3* \varnothing 9*0.8mm	4
31	RH4000052	The M4 * 16 hex	4
32	RH5001932	GM50B suction lifting handle	1
33	RH5000317	GM70BT drive switch handle, GM70BT	1
34	RH4000373	M8 gasket, \varnothing 8.4* \varnothing 16*1mm	1
35	RH4000068	M6 * 12 hex	1
36	RH5000036	GM50B water handle, GM50B	1
	RH5001939	GM50B water handle decorative cover	1
37	RH4000053	M5*16 large pan head cross	1
38	RH4000369	M5 increase the gasket	1
	RH4000404	The M5 playmat	1
39	RH4000366	M4 flat pad, \varnothing 4.3* \varnothing 9*0.8mm	4
40	RH4000040	M4*10 large pan head cross	4
41	N/A	Control panel assembly	
42	RH4000163	M4*30 large pan head cross	2
43	RH4000038	M4*12 large pan head cross	2
44	RH4000366	M4 flat pad, \varnothing 4.3* \varnothing 9*0.8mm	4
	RH4000403	The M4 playmat	4
45	RH5000062	GM70BT motor switch mounting plate	1
46	RH5003081	Access switch wiring harness assembly	1
47	RH4000323	M4 self-locking nut	2

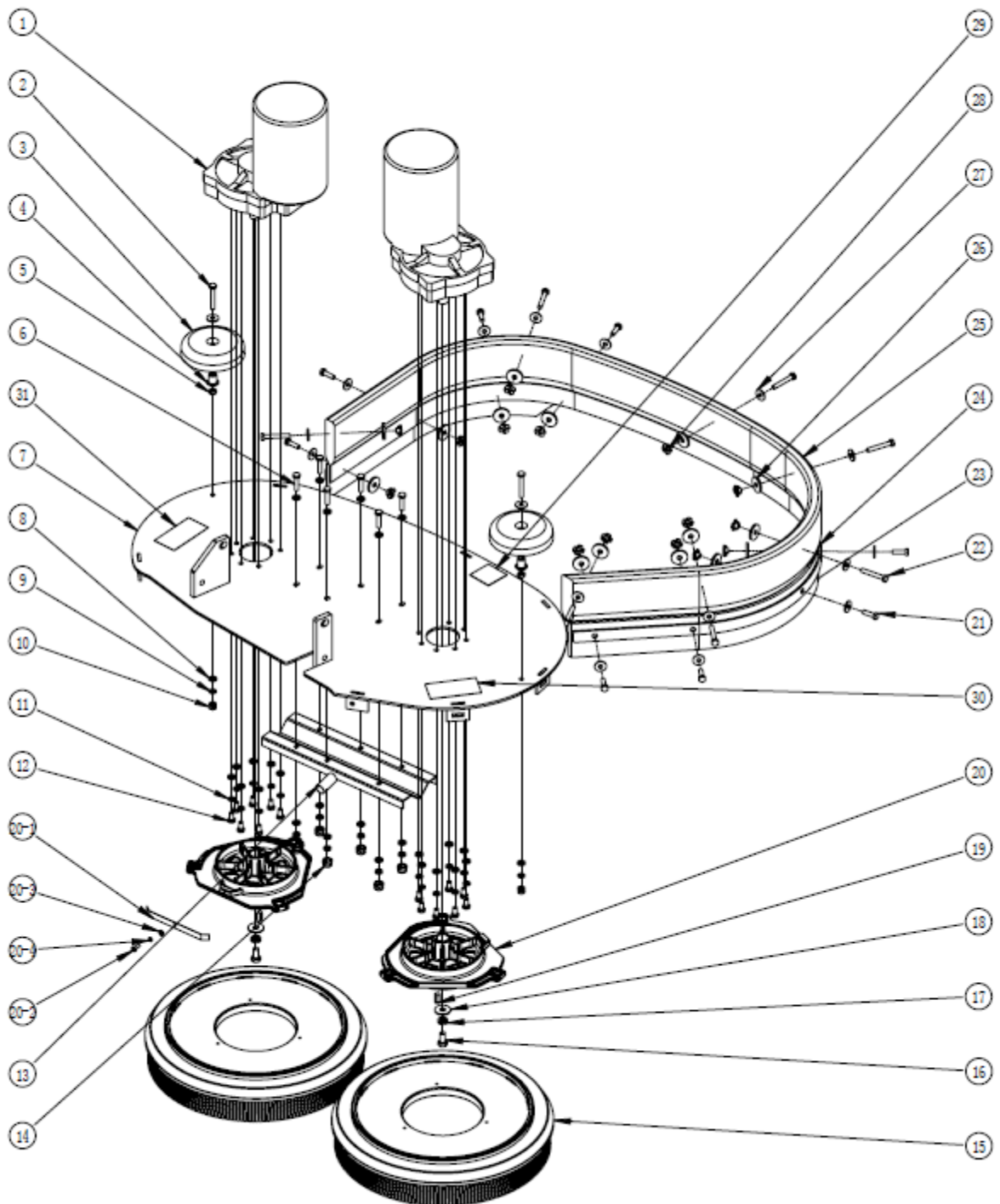
Recovery Tank Group 2



Recovery Tank Group 2

Ref.	Part No.	Description	Qty.
1	RH5002693	GM70BT sewage tank 70L(gaomei ash)13kg	1
2	RH5003089	GM70BT sewage sensor harness assembly	1
3	RH4000004	Ganizational 27-51 adjustable ear clamp	2
4	RH5002833	GMmini/GM50B/GM70BT sewage pipe (black)	1
5	RH5002832	GM50B/GM70BT suction pipe (black)	1
6	N/A	70B electrical mounting panel assembly	1
7	RH4000366	M4 flat pad, \varnothing 4.3* \varnothing 9*0.8mm	4
8	RH4000042	M4*8 large pan head cross	4
9	RH4000405	M6 play mat	3
10	RH4000327	M6 nut	3
11	RH4000458	GM50B two-layer vacuum motor screw	3
12	RH4000370	M6 flat pad, \varnothing 6.4* \varnothing 12*0.8mm	6
13	RH4000328	M6 self-locking nut	1
14	RH4000005	\varnothing 70-90 adjustable ear clamp	1
15	RH5002215	GM50B vacuum motor suction hood	1
16	RH5000022	GM50B vacuum motor dust shield, GM50B	1
17	RH5003626	GM50B non-self adhesive silencing cotton	1
18	RH4000040	M4*10 large pan head cross	1
19	RH4000403	The M4 playmat	1
20	RH4000366	M4 flat pad, \varnothing 4.3* \varnothing 9*0.8mm	1
21	RH4000065	M6 * 16 hex	2
22	RH4000371	M6 increase the gasket	2
	RH4000405	M6 play mat	2
23	RH5001212	GM50B sewage tank main handle spring	1
24	RH5000794	GM50B Sink tank main handle copper	2
25	RH4000681	GM50B tetrafluoringasket (thin)	4
26	RH5000027	GM50B sewage tank main handle, GM50B	1
27	RH4000370	M6 flat pad, \varnothing 6.4* \varnothing 12*0.8mm	1
28	RH5002216	GM50B vacuum motor exhaust duct	1
29	RH4000049	ST4*12 pan head cross attacks small head	2
29-1	RH4000367	M4 increase the gasket	4
29-2	RH4000323	M4 self-locking nut	2
30	RH5001931	GM50B sensor cover, material: ABS black	1
31	RH5002458	GM50B two-layer vacuum motor	1
32	RH4000004	Ganizational 27-51 adjustable ear clamp	1
33	RH5002214	GM50B vacuum motor bottom pad	1
34	RH5001380	GM70BT two-layer motor mounting solenoid	1

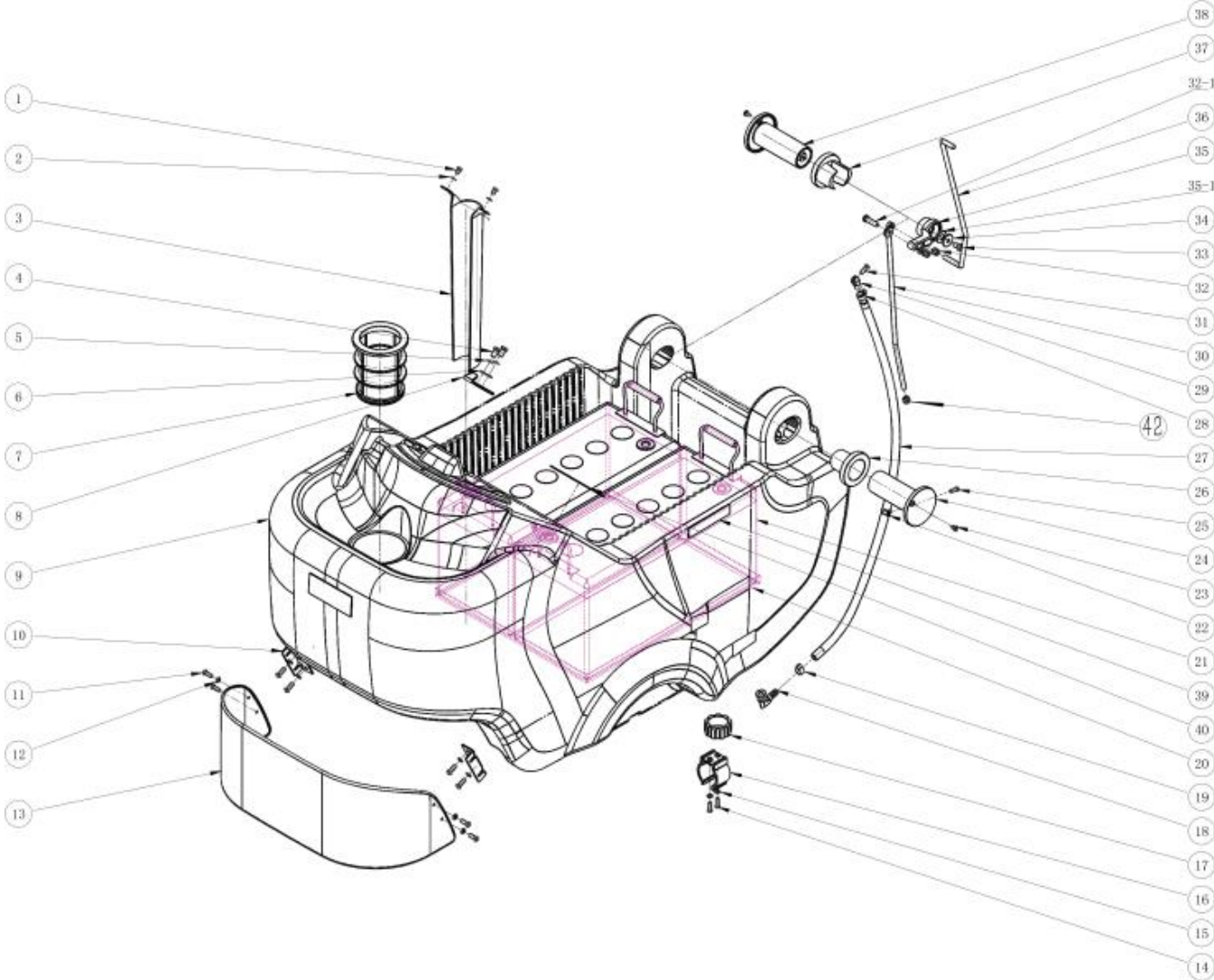
Scrub Head Group



Scrub Head Group

Ref.	Part No.	Description	Qty.
1	RH5002406	GM70BT brush motor	2
2	RH4000067	M6 * 35 hex	2
3	RH5001941	GM50B guide wheel, material: PA66 black	2
4	RH5001936	GM50B guide wheel pad outer	2
5	RH4000327	M6 nut	2
6	RH4000065	M6 * 16 hex	6
7	RH5000056	GM70BT motor mounting plate, GM70BT	1
8	RH4000370	M6 flat pad, \varnothing 6.4* \varnothing 12*0.8mm	14
9	RH4000405	M6 play mat	28
10	RH4000328	M6 self-locking nut	2
11	RH4000370	M6 flat pad, \varnothing 6.4* \varnothing 12*0.8mm	8
12	RH4000065	M6 * 16 hex	14
13	RH5000066	GM70BT outlet cover, GM70BT	1
14	RH4000328	M6 self-locking nut	6
15	RH5002539	Washing machine ground brush	2
16	RH4000107	M8 * 16 hex	2
17	RH4000406	M8 play mat	2
18	RH4000374	M8 increase the gasket, \varnothing 8.4* \varnothing 20*1.5mm	2
19	RH4000794	6 x6x30mm key	2
20	RH5000067	GM70BT automatic brush buckle, GM70BT	2
20-1	RH5001213	GM70BT brush buckle shrapnel galvanized	2
20-2	RH4000039	M4*12 small disc head cross	2
20-3	RH4000366	M4 flat pad, \varnothing 4.3* \varnothing 9*0.8mm	2
20-4	RH4000403	The M4 play mat	2
21	RH4000065	M6 * 16 hex	8
22	RH4000067	M6 * 35 hex	6
23	RH5002207	GM70BT pimp (red)	2
24	RH5000049	GM70BT strap stainless steel plate	2
25	RH5003688	GM70BT motor mounting strip	1
26	RH5002208	GM70BT strap silicone pad	14
27	RH4000371	M6 increase the gasket	14
28	RH4000337	GM70BT M6 strap nut	14
29	RH5003754	Brush disk anti-twist warning label	1
30	RH5003753	Brush plate collision warning label	2

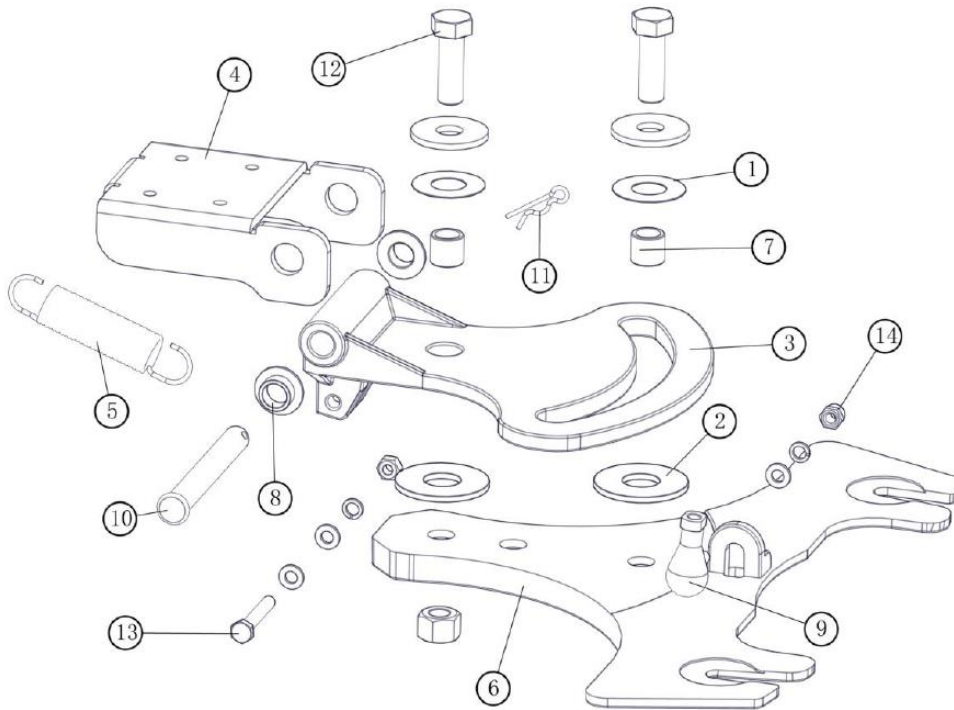
Solution Tank Group



Solution Tank Group

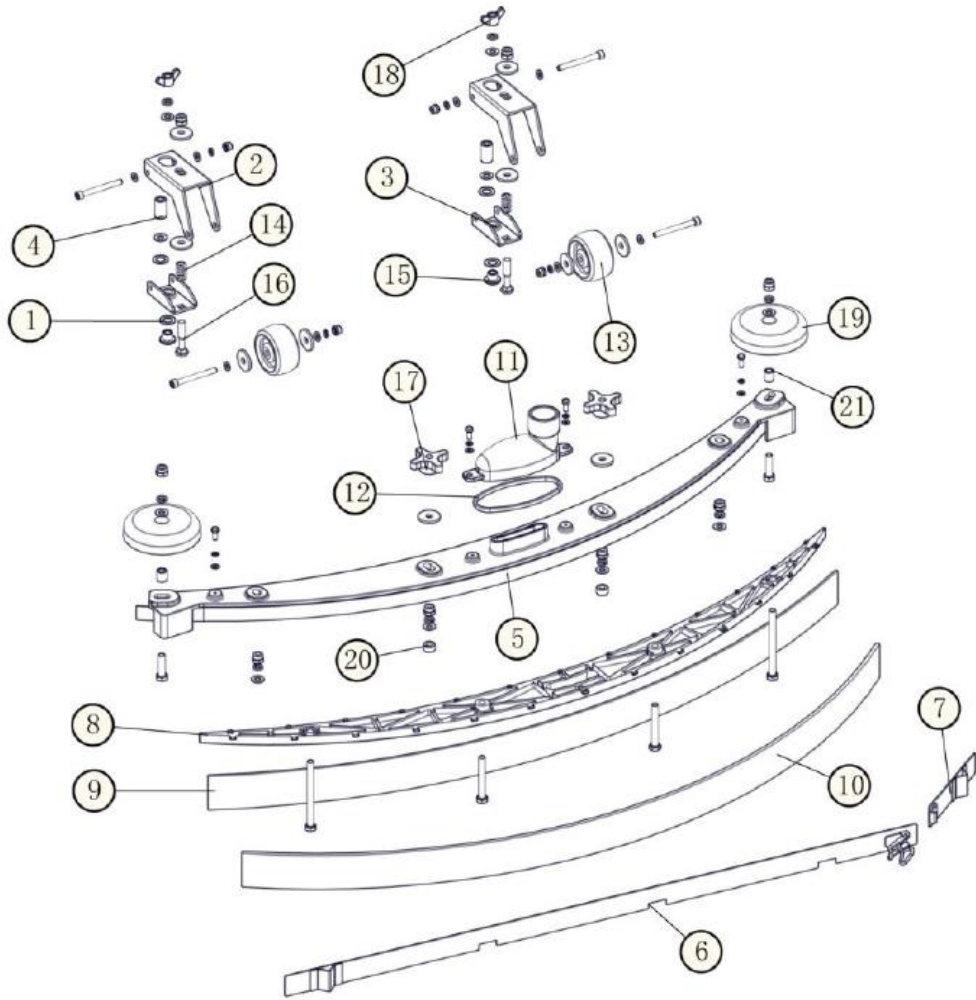
Ref.	Part No.	Description	Qty.
1	RH4000040	M4*10 large pan head cross	2
2	RH4000403	The M4 playmat	2
3	RH5000803	GM70BT vacuum motor exhaust hood	1
4	RH4000068	M6 * 12 hex	2
5	RH4000405	M6 play mat	3
6	RH4000370	M6 flat pad, \varnothing 6.4* \varnothing 12*0.8mm	2
7	RH5003606	GM50B water filter	1
8	RH5000031	GM50B sewage tank assistant handle	1
9	RH5002652	GM70BT water tank 70L(gaomei ash)16kg	1
10	RH5000064	GM70BT brush cover left bracket, GM70BT	2
11	RH4000036	M4*16 large pan head cross	4
12	RH4000366	M4 flat pad, \varnothing 4.3* \varnothing 9*0.8mm	13
13	RH5002728	GM70BT brush cover (black)1kg	1
14	RH4000038	M4*12 large pan head cross	6
15	RH4000403	The M4 playmat	8
16	RH5001942	GM50B sewage pipe support	1
17	RH5001935	GM50B clear water tank plug	1
17-1	RH5002217	GM50B clean water tank plug gasket	1
18	RH5001384	G1/8 external silk * \varnothing 8 Angle elbow	1
19	RH4000012	Ganizational 12.8 ear clip	1
20	RH5001888	GM70BT battery base, material: ABS black	1
21	RH5002612	(CW)70BT battery	2
22	RH4000020	Ganizational 12mmR type wire clamp	1
23	RH4000048	ST4*10 cross attack	2
24	RH5001925	50B cabinet connection decorative cover	1
25	RH4000040	M4*10 large pan head cross	1
26	RH5001924	GM50B box with decorative cover bushing	1
27	RH5002860	PVC transparent hose, \varnothing 8 \times \varnothing 12	1
28	RH4000012	Ganizational 12.8 ear clip	1
29	RH5002029	Ganizational 8 pipe fixed joint	1
30	RH5005532	New suction valve 70 pull rod down	1
31	RH4000037	M4*16 small disc head cross	1
32	RH4000328	M6 self-locking nut	4
32-1	RH4000072	M6 * 25 hex	1
33	RH4000143	M6 * 20 Allen	1
34	RH4000371	M6 increase the gasket	1
35	RH5001933	GM50B water valve shaft	1
35-1	RH5001937	GM50B water valve rotating shaft liner	1
36	RH5000065	GM70BT water valve pull rod, GM70BT	1
37	RH5001924	GM50B box with decorative cover bushing	1
38	RH5001947	50B cabinet connection decorative cover	1
42	RH5000792	GM50B water valve pin	1

Squeegee Adjustment Group



Ref.	Part No.	Description	Qty.
1	RH4001004	17×35×0.5 tetrafluorin gasket	2
2	RH5004742	18*45*3 teflon gasket	2
3	RH5004718	GM50B gripper fixing plate	1
4	RH5004724	GM50B gripper fixing bracket	1
5	RH5004744	GM50B suction spring	1
6	RH5004719	GM50B rack Angle bracket	1
7	RH5004722	GM50B suction sleeve	2
8	RH5004723	56BT gripper fixed plate rotary bushing	2
9	RH5004730	Self - lubricating ball joint bearing	1
10	RH5004731	Pin 12 * 100	1
11	RH5004732	Locking pin 12	1
12	RH4000316	M12 * 35 hex	2
13	RH4000067	M6 * 35 hex	1
14	RH4000328	M6 self-locking nut	1

Squeegee Assembly



Squeegee Assembly

Ref.	Part No.	Description	Qty.
1	RH4001004	17×35×0.5 tetrafluorin gasket	4
2	RH5005193	50B caster adjustment upper bracket	2
3	RH5005192	50B casters adjust the bracket	2
4	RH5005204	The nylon 8-14-25 column	2
5	RH5000984	Cast aluminum suction, die cast aluminum	1
6	RH5000300	Cast aluminum suction strip welding	1
7	RH5000299	Cast aluminum suction strip welding	1
8	RH5002072	110/70 suction plastic gland	1
9	RH5002305	Mini cast aluminum front D-1081B	1
10	RH5002304	Mini die-cast aluminum rubber D-1082B	1
11	RH5004721	GM50B pick joint	1
12	RH5002298	Suction outlet joint gasket	1
13	RH4000714	GM50B suction pick casters	2
14	RH5001206	GM50B suction castor bracket spring	2
15	RH5005209	GM50B suction caster bushing	2
16	RH4000189	M8*45 square neck screw	2
17	RH5002058	M8 small square nut	2
18	RH5005203	M8 butterfly nut	2
19	RH5001941	GM50B guide wheel, material: PA66 black	2
20	RH5001001	Grilled suction cushion column	2
21	RH5000974	Suction wheel bushing, D	1