

**107146* QuietPro BP w/
 Xover Telescoping Wand Tool Kit D (107100)
 \$845**

The QuietPro BP with QuietPower® Technology delivers high performance and exceptional cleaning strengths for environments where low sound levels are critical. Never worry about disrupting building occupants during regular business hours again.



Specifications

Weight:	11 lbs. / 4.99 kg.	
	Low	High
Motor Airflow:	74 CFM	106 CFM
Static Lift:	45 in.	82 in.
Motor:	612 W / 5.1 A	864 W / 7.2 A
Decibel:	51 dBA	60 dBA
Capacity:	6 qt. / 6.6 L	
ProLevel Filtration® w/Four Levels of Filtration:	725 sq. in. total area	

****ProLevel Filtration System with HEPA Media**
 Captures 98.87% at 0.3-.5 microns per ASTM F3150

Limited Warranty

- 3 years parts, labor and motor on vacuum
- Limited lifetime on molded body parts



QUIET



ERGONOMIC



SAVES TIME

***Standard Configuration**

14" Xover Floor Tool	3" Dust Brush
Telescoping Wand	17" Crevice Tool
5" Upholstery Tool	

Optional Configurations

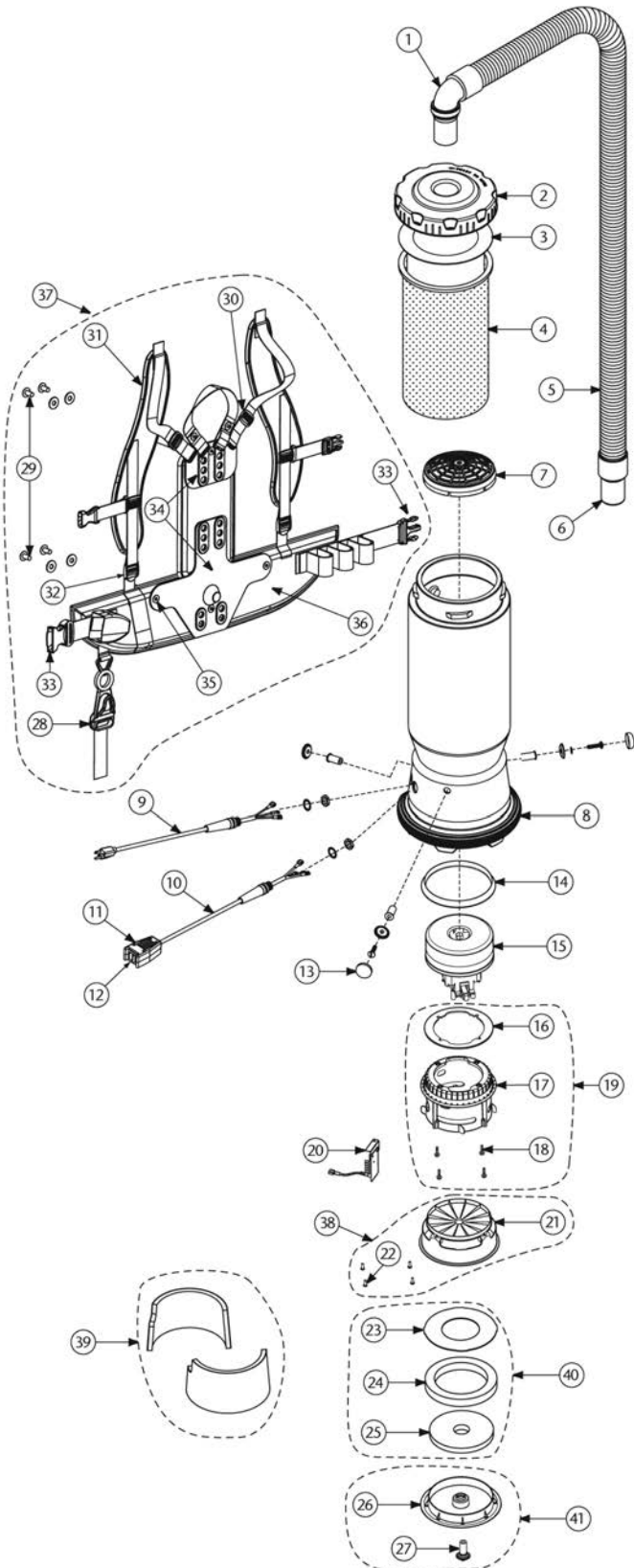
105733 w/Carpet Two-Piece Wand Tool Kit A (100078)	\$865
107145 w/Xover® Performance Telescoping Wand Tool Kit C (107099)	845
107609 w/ProBlade® Carpet and Hard Surface Floor Tool Kit (107532)	915

Related Products

100431 Intercept Micro Filters, 10/pk (open collar)	\$20.49
106995 Intercept Micro Filters, 10/pk (closed collar)	35.13

***The filtration value of ProTeam's ProLevel Filtration System in this vacuum is achieved by the use of a multi-stage filtration system, including intercept micro filter, micro cloth filter, plastic cage with foam filter, and post-motor filter made from HEPA media, as tested per ASTM F3150. Specification calculations are based on average motor performance.*

QUIETPRO BP PARTS



No.	Product Name	Qty	List Price
1	101928 Replacement Double Swivel Elbow Cuff	1 ea.	\$ 13.13
2	104273 Twist Cap (Black)	1 ea.	41.79
3	100431 Intercept Micro Filter	10/pk	20.49
4	100564 Micro Cloth Filter	1 ea.	35.40
5	107648 48" Static-Dissipating Hose w/ Non-Replaceable Elbow and Straight Cuffs	1 ea.	39.67
6	100694 Replacement Double Swivel Straight Cuff	1 ea.	7.83
7	106526 Dome Filter made from HEPA Media	1 ea.	19.41
8	100586 Bottom Bumper	1 ea.	10.47
9	100641 Power Cord Assembly Complete w/Strain Relief	1 set	27.55
10	105748 Switch Cord Assembly Complete for QuietPro	1 set	53.43
11	106287 Switch Box w/Velcro and Screws	1 set	25.51
12	105973 On/Off Switch	1 ea.	28.17
13	100368 Motor Mounting System Set: 3 Well Nuts, 3 Bolts, 3 Washers, 3 Covers	1 set	18.99
14	100014 Motor Gasket	1 ea.	17.12
15	105722 2 Stage 120V Motor (includes: 16)	1 set	183.45
	105697 Carbon Brush Set (Domel)	1 set	30.37
	100424 Carbon Brush Set (Ametek)	1 set	30.37
16	105605 Motor Cap Gasket	1 ea.	9.07
17	105149 Motor Cap	1 ea.	25.51
18	100378 Self Tapping Screw, 10-32 x 3/4"	4/pk	4.29
19	105619 Motor Mount Assembly (includes: 16-18)	1 set	46.86
20	105653 Dual Speed Module and Schematic with Thermal Protector	1 ea.	91.91
21	105150 Exhaust Housing, Motor	1 ea.	19.73
22	104419 Hi/Lo Phillips Screw, #8 x 1/2"	1 ea.	0.48
23	105337 Large Motor Housing Ring	1 ea.	20.15
24	105342 Motor Housing Foam Ring	1 ea.	24.66
25	105343 Motor Housing Foam Cover	1 ea.	17.28
26	105341 Motor Housing Cover	1 ea.	16.85
27	105613 Motor Mount	1 ea.	9.87
28	510738 Cord Holder	1 ea.	3.87
29	100716 Backplate (Blk) Connection Set: 4 Screws w/Washers	1 set	18.99
30	100358 Shoulder Strap Plastic Adjustment (Top)	1 ea.	1.46
31	100356 Shoulder Strap Assembly (includes: 30, 32)	1 set	24.69
	100354 Strap Assembly Complete (includes: 31, 36)	1 set	75.96
32	100357 Shoulder Strap Plastic Adjustment (Bottom)	1 ea.	1.46
33	106719 Waist Belt Keeper and Latch	1 ea.	17.22
34	105046 Backplate (includes: 35)	1 set	37.98
35	100375 Barrel Nut Connection Set for Backplate (Replacement)	1 set	8.57
36	100359 Waist Belt (includes: 33)	1 ea.	56.95
37	103166 Backplate System Complete (includes: 28-36)	1 set	94.94
38	105620 Exhaust Motor Housing Kit for QuietPro (includes: 21, 22)	1 set	46.86
39	105621 Acoustical Panels Foam Kit	1 set	73.82
40	105622 Exhaust Foam and Ring Kit (includes: 23-25)	1 set	52.60
41	105623 Exhaust Cover Kit for QuietPro (includes: 26, 27)	1 set	24.66
	101678 50' Extension Cord (Not Shown)	1 ea.	48.66