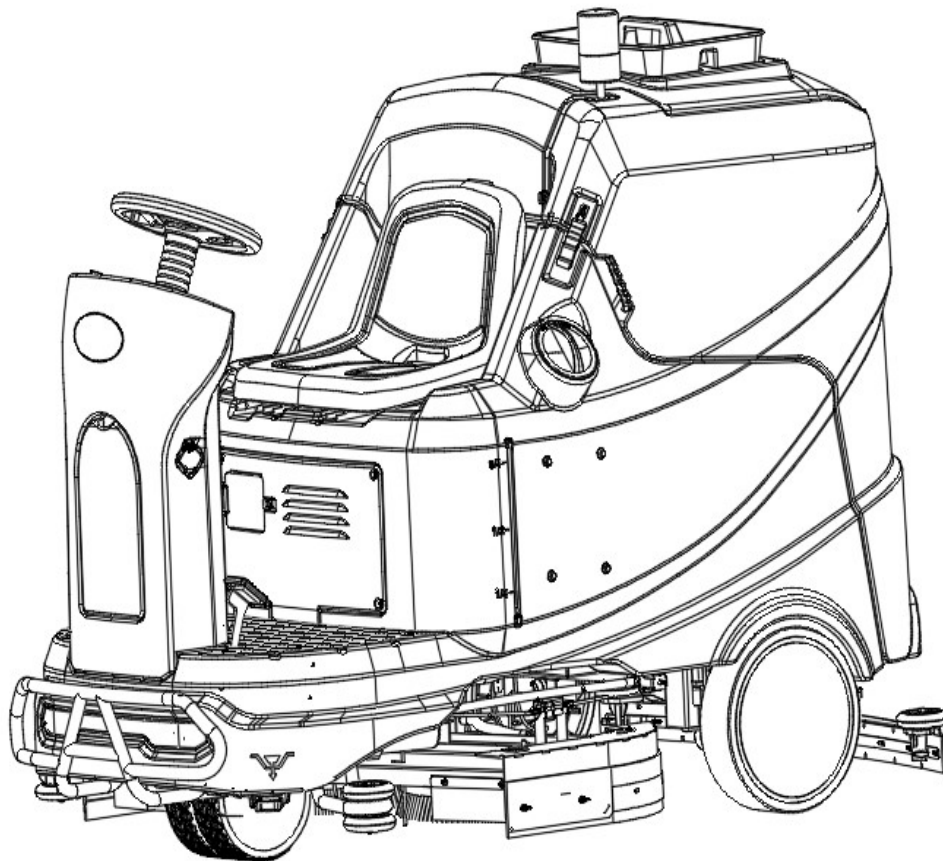


AS1050R PARTS LIST



Model No.: 50000593 / 50000594 / 50000595 / 50000596



VR41008 Rev. 1 October. 2020



PARTS LIST

TABLE OF CONTENTS

GENERAL VIEW	2
BUMPER AND OVERHEAD GUARD.....	4
CHASSIS ASSEMBLY.....	6
FRONT MAIN FRAME ASSEMBLY... ..	9
DRIVE WHEEL AND MECHANICAL BRAKE ASSEMBLY.....	11
BRUSH ASSEMBLY.....	13
SQUEEGEE ASSEMBLY.....	16
CONTROL HOUSING ASSEMBLY.....	19
SOLUTION TANK ASSEMBLY.....	22
ELECTRIC PARTS ASSEMBLY.....	25
RECOVERY TANK ASSEMBLY.....	28
VACUUM MOTOR ASSEMBLY.....	31
ELECTRIC PARTS.....	33
WEAR AND TEAR PARTS.....	35

WHEN ORDERING PARTS

*Use the part numbers from the "Part. No." columns in this parts list.

*Specify the model and serial number of the machine.

*Use the space below to record the model and serial number for future reference.

Model

Serial No.

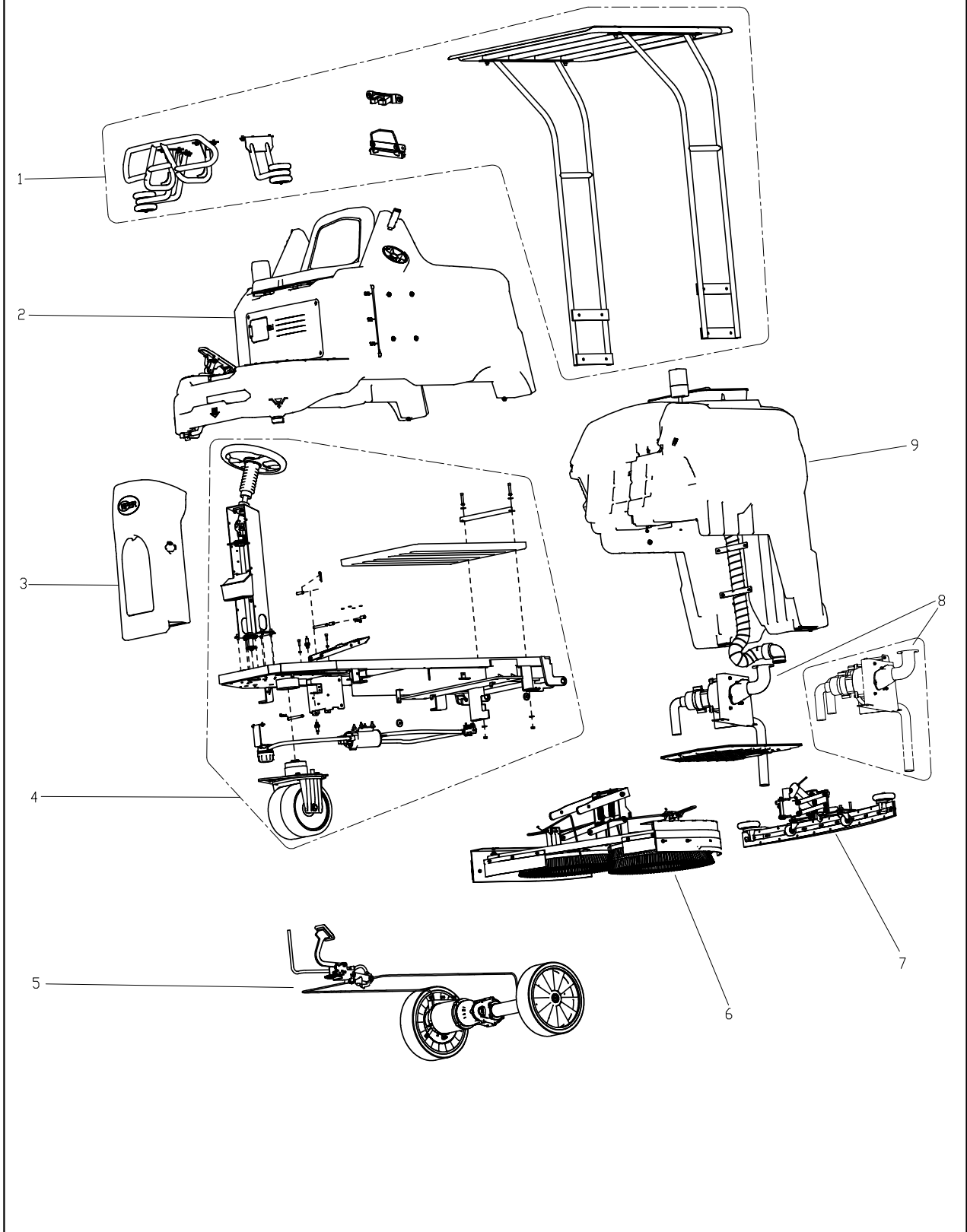
* = Optional

= Modified item No. or New Item No.

[] = Not shown

PARTS LIST

GENERAL VIEW



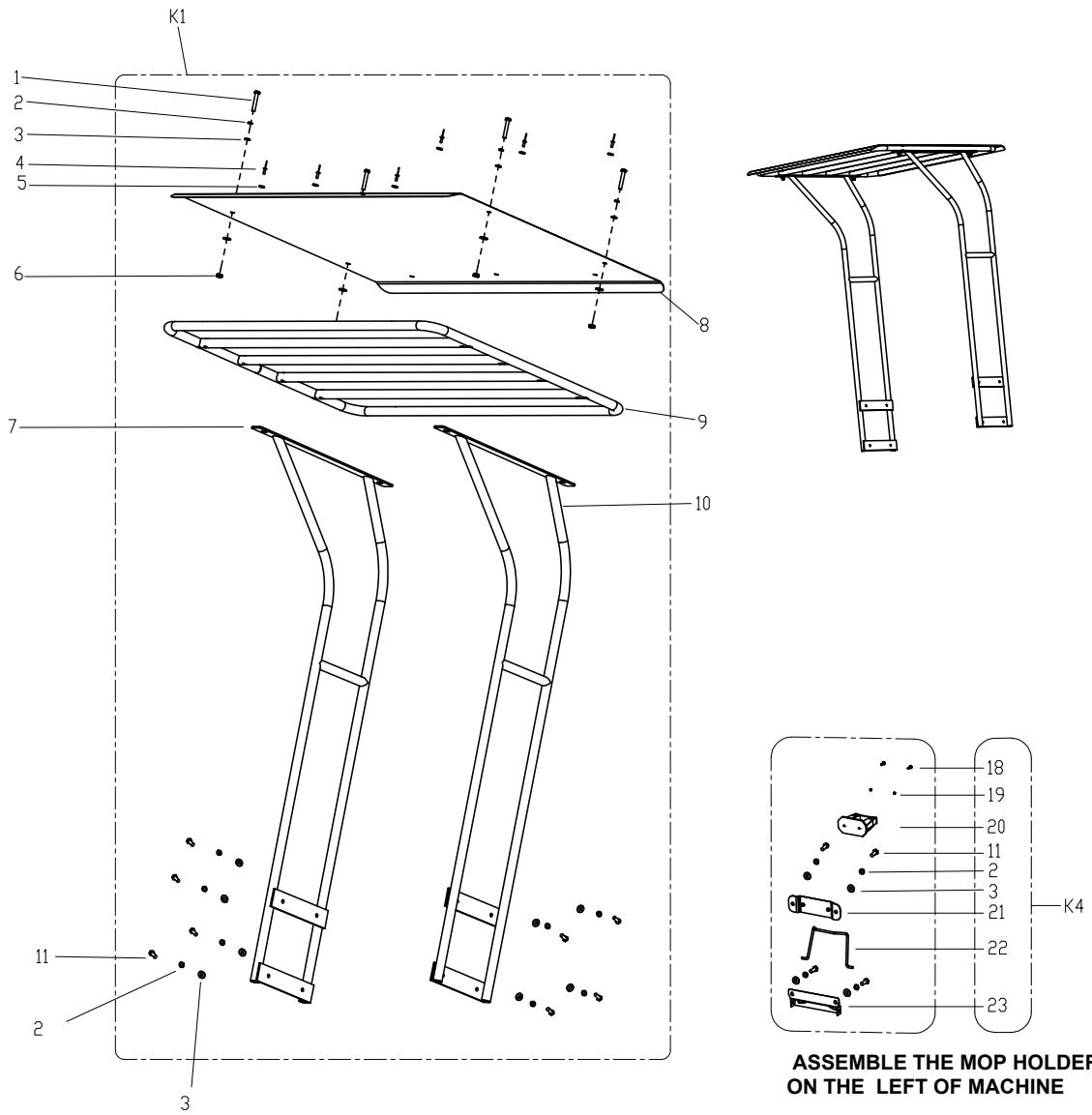
PARTS LIST

GENERAL VIEW

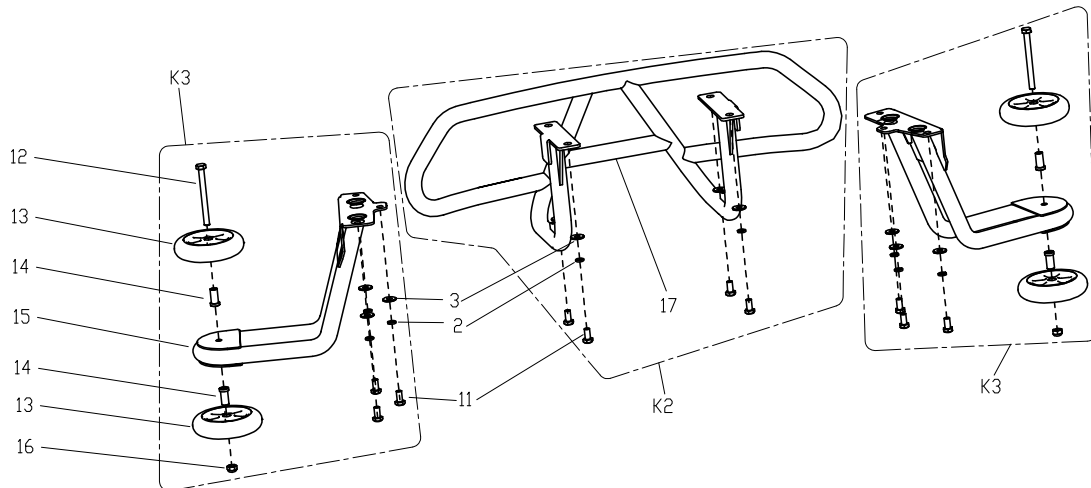
Item	Description	Qty
1	BUMPER AND OVERHEAD GUARD	1
2	SOLUTION TANK ASSEMBLY	1
3	CONTROL HOUSING ASSEMBLY	1
4	CHASSIS ASSEMBLY	1
5	DRIVE WHEEL AND MECHANICAL BRAKE ASSEMBLY	1
6	BRUSH ASSEMBLY 40 INCH	1
7	SQUEEGEE ASSEMBLY	1
8	VACUUM MOTOR ASSEMBLY	1
	DUAL VACUUM MOTOR ASSEMBLY	1
9	RECOVERY TANK ASSEMBLY	1

PARTS LIST

BUMPERS AND OVERHEAD GUARD AND MOP HOLDER



**ASSEMBLE THE MOP HOLDER
ON THE LEFT OF MACHINE**



PARTS LIST

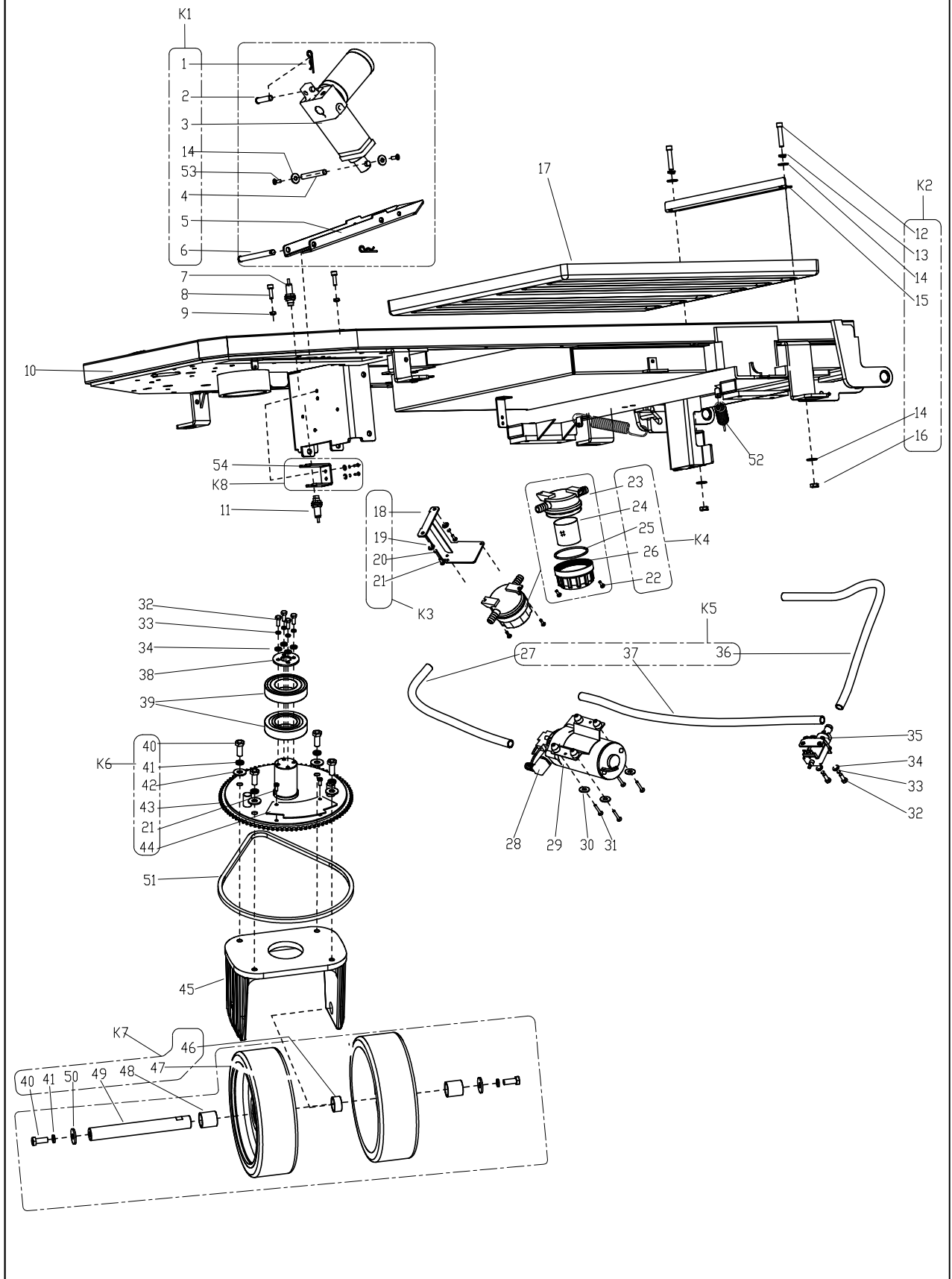
BUMPERS AND OVERHEAD GUARD AND MOP HOLDER

Kit	Item	Part No.	Description	Qty
K1	1	VF14243	SCREW HEX SOC HD M8X45	4
K1/K2/K3/K4	2	VF13519	WASHER SPRING Ø8	26
K1/K2/K3/K4	3	VF13524	WASHER PLAIN Ø8XØ20X2	30
K1	4		RIVET	6
K1	5	VF13614	WASHER PLAIN Ø6.2XØ12.6X1.2	6
K1	6	VA13490	NUT CAP M8	4
K1	7		SUPPORT TOP ROOF LEFT	1
K1	8		PLATE TOP ROOF	1
K1	9		BRACKET TOP ROOF	1
K1	10		SUPPORT TOP ROOF RIGHT	1
K1/K2/K3/K4	11	VV13604	SCREW HEX M8X20	22
K3	12		SCREW HEX HD M8X90	2
K3	13	VR14404	BUMPER WHEEL 2INCH	4
K3	14		BUSHING FLANGE BRASS Ø8.2X Ø10.8X26	4
K3	15		SIDE BUMPER WELDMENT	2
K3	16	VF14516	NUT LOCK M8	2
K2	17		FRONT BUMPER	1
K4	18	VV13650A	SCREW HEX M4X10	2
K4	19	VF13555	WASHER PLAIN Ø5XØ12X1.5	2
K4	20		MOP HOLDER	1
K4	21		BRACKET MOP HOLDER	1
K4	22		SUPPORT BRACKET MOP	1
K4	23		FIXING SUPPOR BRACKET	1
	K1*	VR41510	OVERHEAD GUARD KIT	1
	K2	VR41148	FRONT BUMPER KIT	1
	K3	VR41147	SIDE BUMPER KIT	2
	K4*	VR41561	MOP HOLD KIT	1

* ____ Optional

PARTS LIST

CHASSIS ASSEMBLY



PARTS LIST

CHASSIS ASSEMBLY

Kit	Item	Part No.	Description	Qty
K1	1	VS13518	PIN B COTTER D2.5	2
K1	2		PIN CLEVIS BRUSH ACTUATOR Ø10X42	1
K1	3		ACTUATOR BRUSH 36V 2000N	1
K1	4		PIN CLEVIS BRUSH ACTUATOR Ø9.9X36.5	1
K1	5		ARM DECK LIFT	1
K1	6		PIN DECK LIFT ARM	1
	7	VR41951	SENSOR 12V UPPER	1
	8	VF13498	SCREW HEX SOC HD M6X20	2
	9	VF13521	NUT HEX M6	2
	10	VR41101	CHASSIS WELDMENT	1
	11	VR41950	SENSOR 12V LOWER	1
K2	12	VF14258	SCREW HEX SOC HD M8X40	2
K2	13	VF13519	WASHER SPRING Ø8	2
K1/K2	14	VF13524	WASHER PLAIN Ø8XØ20X2	6
K2	15		BRACKET BATTERY	1
K2	16	VF13513	NUT HEX M8	2
	17*	VR41119	TRAY BATTERY	1
K3	18		BRACKET FILTER	1
K3	19		WASHER PLAIN Ø5XØ10X1	2
K3	20	VV13601	WASHER SPRING Ø5	2
K3/K6	21		SCREW PH M5X12	4
K4	22	VV13650A	SCREW PH M4X10	2
K4	23	VF80112	BASE FILTER PLASTIC	1
K4	24	VR41524	FILTER STAINLESS	1
K4	25	VR41523	O-RING SEALING FILTER RUBBER	1
K4	26	VR41522	COVER FILTER PLASTIC	1
K5	27		SOLUTION TUBE F PUMP L 440MM	1
	28	VF81403A	ELBOW BRASS F PUMP	2
	29	VR41966	PUMP WATER 24V	1
	30	VA13483	WASHER PLAIN Ø4XØ12.5X1.5	4
	31	VF14070	SCREW PH M4X25	4
	32	VF13495	SCREW HEX M6X16	6
	33	VV13607	WASHER SPRING Ø6	6
	34	VF13533	WASHER PLAIN Ø6XØ16X2	6
	35	VR11600	VALVE SOLENOID 24V	1
K5	36		SOLUTION TUBE F BRUSH DECK L 560MM	1

* ___ Optional

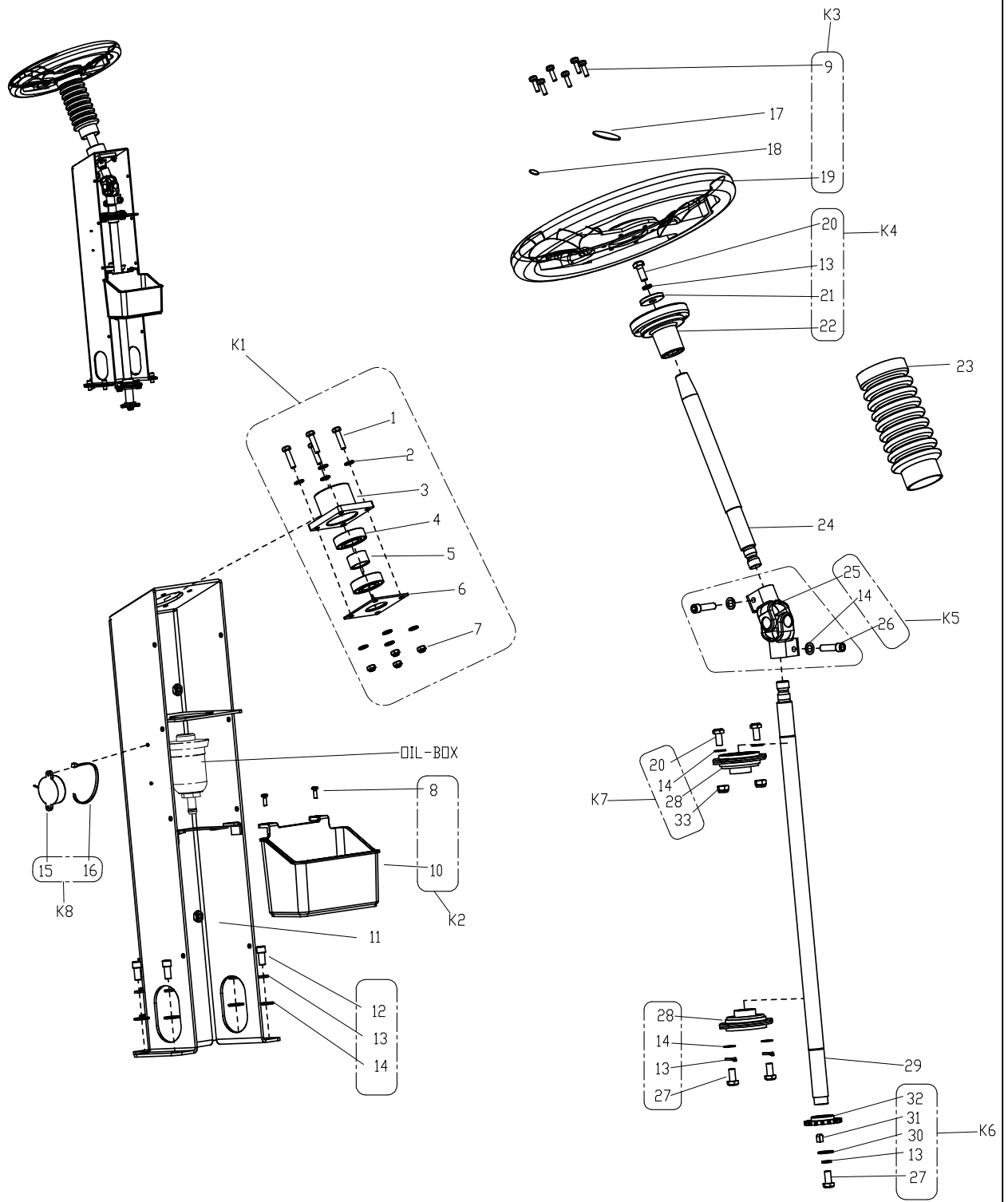
PARTS LIST

CHASSIS ASSEMBLY

Kit	Item	Part No.	Description	Qty
K5	37		SOLUTION TUBE F VALVE L 720MM	1
	38	VR41109	LIMITED PLATE BEARING	1
	39	VR41108	BEARING 7209AC Ø45XØ85X19	2
K6/K7	40	VF14123	SCREW HEX M10X25	6
K6/K7	41	VF13518	WASHER SPRING Ø10	6
K6	42	VF13537	WASHER PLAIN Ø10XØ25X2	4
K6	43		SPROCKET T87	1
K6	44		METAL PLATE F SENSOR	1
	45	VR41106	BRACKET FRONT WHEEL	1
K7	46		BUSHING Ø25.5XØ30X25	1
K7	47	VR41103	FRONT WHEEL	2
K7	48		BUSHING Ø25.5XØ30X33.2	2
K7	49	VR41105	SHAFT FRONT WHEEL	1
K7	50	VR41111	WASHER PLAIN Ø10XØ33X3	2
	51	VR41146	CHAIN 9.525 P	1
	52	VR41001	SPRING SQGEE SWING	2
K1	53		SCREW C/SUNK HD M5X10	2
K8	54		BRACKET SENSOR	1
	K1	VR41149	BRUSH ACTUATOR KIT	1
	K2	VR41150	BATTERY BRACKET KIT	1
	K3	VR41152	FILTER BRACKET KIT	1
	K4	VR41528	FILTER KIT	1
	K5	VR41165	SOLUTION TUBE KIT	1
	K6	VR41167	SPROCKET KIT	1
	K7	VR41168	FRONT WHEEL KIT	1
	K8	VR41169	BRACKET SENSOR KIT	1

PARTS LIST

FRONT MAIN FRAME ASSEMBLY



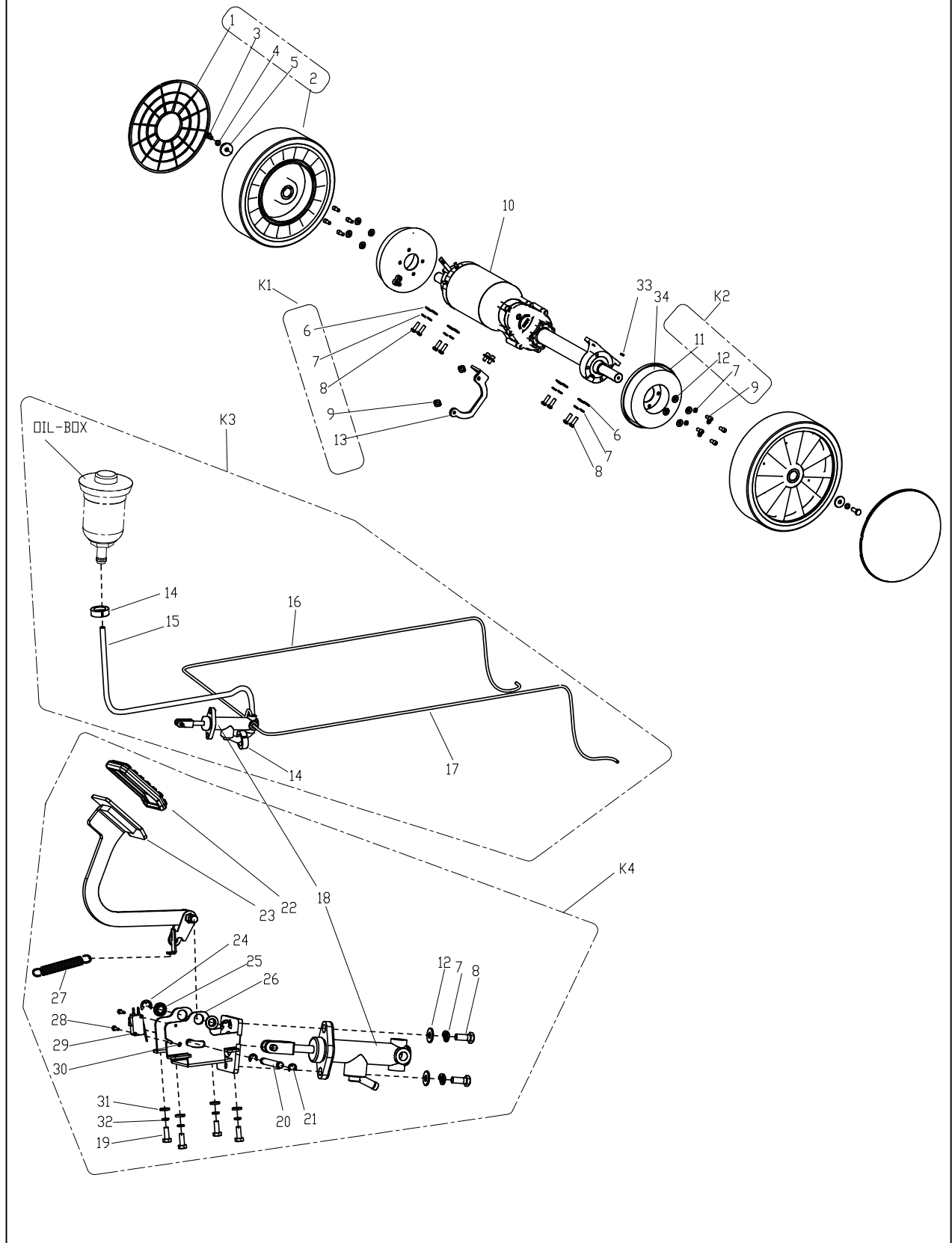
PARTS LIST

FRONT MAIN FRAME ASSEMBLY

Kit	Item	Part No.	Description	Qty	
K1	1	VV20058	SCREW HEX M6X25	4	
K1	2	VF13533	WASHER PLAIN Ø6XØ16X2	8	
K1	3	VR12002	BRACKET FIXED BEARING	1	
K1	4	VF14075	BEARING Ø20XØ42X12	2	
K1	5	VR12008	SPACER BUSHING	1	
K1	6	VR12003	PLATE FIXED BEARING	1	
K1	7	VF14506	NUT LOCK M6	4	
K2	8		SCREW HEX SOC HD M5X12	2	
K3	9	VR34031	SCREW PH M5X16 BLACK	6	
K2	10		TOOL BOX STORAGE	1	
	11	VR41403	MAIN FRAME FRONT	1	
	12	VV13656	SCREW HEX SOC HD M8X16	6	
K4/K6	13	VF13519	WASHER SPRING Ø8	10	
K5/K7	14	VF13514A	WASHER PLAIN Ø8.2XØ16X1.5	6	
K8	15	VR12014	BUZZER 12V	1	
K8	16	RD20652	TIE NYLON	1	
	17		OVAL LOGO STEERING WHEEL	1	
	18		CIRCULAR LOGO STEERING WHEEL	1	
K3	19		STEERING WHEEL	1	
K4/K7	20	VA13491	SCREW HEX M8X25	3	
K4	21	VF82058	WASHER PLAIN Ø8.2XØ32X4	1	
K4	22	VR10034	LOCK BLOCK STEERING WHEEL	1	
	23	VR34014	SHEATH RUBBER	1	
	24	VR41404	SHAFT STEERING WHEEL UPPER	1	
K5	25		UNIVERSAL JOINT	1	
K5	26	VF14251	SCREW HEX SOC HD M8X30	2	
K6	27	VV13604	SCREW HEX M8X20	3	
K7	28	VR11006	BEARING UBPEL204 Ø20	2	
	29	VR41141	SHAFT STEERING WHEEL LOWER	1	
K6	30	VF13524	WASHER PLAIN Ø8XØ20X2	1	
K6	31		KEY SQUARE	1	
K6	32		SPROCKET T15	1	
K7	33	VF14516	NUT LOCK M8	2	
		K1	VR24071	BEARING BASE KIT	1
		K2	VR41430	STORAGE BOX KIT	1
		K3	VR34041	STEERING WHEEL KIT	1
		K4	VR24085	STEERING WHEEL LOCK KIT	1
		K5	VR41431	UNIVERSAL JOINT KIT	1
		K6	VR41432	SPROCKET KIT	1
		K7	VR41171	BEARING UPPER KIT	1
		K8	VR34052	BUZZER KIT	1

PARTS LIST

DRIVE WHEEL AND MECHANICAL BRAKE ASSEMBLY



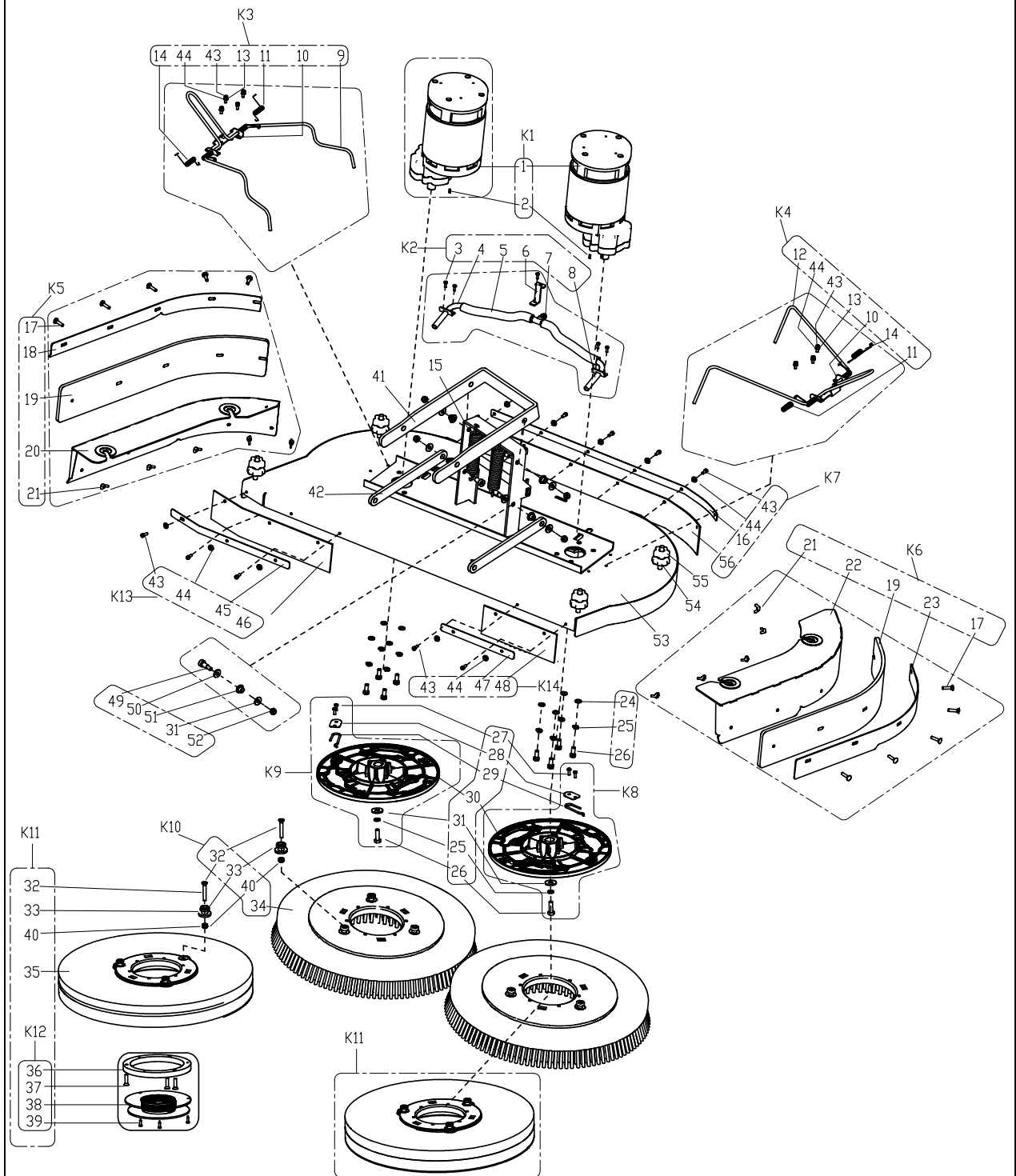
PARTS LIST

DRIVE WHEEL AND MECHANICAL BRAKE ASSEMBLY

Kit	Item	Part No.	Description	Qty
	1		COVER REAR WHEEL	2
	2	VR41116	DRIVE WHEEL	2
	3	VF14123	SCREW HEX M10X25	2
	4	VF13518	WASHER SPRING Ø10	2
	5	VR41111	WASHER PLAIN Ø10XØ33X3	2
K1	6	VF13514A	WASHER PLAIN Ø8.2XØ16X1.5	10
K1/K2/K4	7	VF13519	WASHER SPRING Ø8	18
K1/K4	8	VA13491	SCREW HEX M8X25	10
K1/K2	9		SCREW HEX SOC HD M8X16	10
	10	VR41900	DRIVE MOTOR 36V 1100W	1
K2	11		MECHANICAL BRAKE	2
K2/K4	12	VF13524	WASHER PLAIN Ø8XØ20X2	10
K1	13		BRACKET DRIVE MOTOR	1
K3	14	VV10114	CLAMP Ø10-Ø16	2
K3	15		OIL TUBE RUBBER	1
K3	16		OIL PIPE BRASS RIGHT	1
K3	17		OIL PIPE BRASS LEFT	1
K3	18	VR41122-1	BRAKE PUMP OIL	1
K4	19	VF13495	SCREW HEX M6X16	4
K4	20	VR41140	PIN Ø8X67.5	1
K4	21		E-RING Ø6	2
K4	22	VR41125	COVER RUBBER F BRAKE PEDAL	1
K4	23	VR41123	BRAKE PEDAL	1
K4	24	VF14120	E-RING Ø8	2
K4	25	VR41117	BUSHING Ø10.2XØ14X6 BRASS	2
K4	26	VR41121	BRACKET BRAKE PUMP	1
K4	27	VR41139	SPRING BRAKE PUMP	1
K4	28		SCREW HEX M3X14	2
K4	29	VR12005	MICRO-SWITCH	1
K4	30		NUT LOCK M3	2
K4	31	VF13614	WASHER PLAIN Ø6.2XØ12X1.2	4
K4	32	VV13607	WASHER SPRING Ø6	4
	33	VR41969	KEY SQUARE F DRIVE MOTOR	2
	34	VR41138	BRAKE PADS	2
	K1	VR41155	LOCK DRIVE MOTOR KIT	2
	K2	VR41156	MECHANICAL BRAKE KIT	2
	K3	VR41122	BRAKE PUMP OIL KIT	1
	K4	VR41120	BRAKE PEDAL KIT	1

PARTS LIST

BRUSH ASSEMBLY



PARTS LIST

BRUSH ASSEMBLY

Kit	Item	Part No.	Description	Qty
K1	1		BRUSH MOTOR 36V 750W	2
K1	2	ZD45407	KEY SQUARE	2
K2	3	VV13650A	SCREW PH M4X10	5
K2	4		PIPE RIGHT STAINLESS	1
K2	5		DRAIN TUBE CONNECTION	2
K2	6		CLAMP THREE-WAY TUBE JOINT	1
K2	7	VF82040	THREE-WAY TUBE JOINT	1
K2	8		PIPE LEFT STAINLESS	1
K3	9		CLAMP CLICK-ON BRUSH RIGHT	1
K3/K4	10		BRACKET CLAMP CLICK-ON BRUSH	2
K3/K4	11		SPRING TORSION Ø1.8 RIGHT	2
K4	12		CLAMP CLICK-ON BRUSH LEFT	1
K3/K4	13	VV13601	WASHER SPRING Ø5	6
K3/K4	14		SPRING TORSION Ø1.8 LEFT	2
	15	VR41224	SPRING TENSION	2
K7	16	VR41220	STRAP SKIRT REAR STAINLESS	1
K5/K6	17		SCREW CARRIAGE M6X25	10
K5	18	VR41249	STRAP SIDE BLADE RIGHT STAINLESS	1
K5/K6	19	VR41206	SIDE BLADE RUBBER NR	2
		VR41206LX	SIDE BLADE RUBBER LINATEX	2
K5	20		BRACKET SIDE BLADE RIGHT	1
K5/K6	21	VF14101	NUT BUTTERFLY M6	10
K6	22		BRACKET SIDE BLADE LEFT	1
K6	23	VR41256	STRAP SIDE BLADE LEFT	1
	24	VF13514A	WASHER PLAIN Ø8.2XØ16X1.5	8
K8/K9	25	VF13519	WASHER SPRING Ø8	10
K8/K9	26	VV13604	SCREW HEX M8X20	10
K8/K9	27	VF13545	SCREW TAPPING ST5X12	4
K8/K9	28	VR35006	PLATE CLAMP SPRING	2
K8/K9	29		CLAMP SPRING	2
K8/K9	30	VS14319	BRUSH PLATE	2
K8/K9	31	VF13542	WASHER PALIN Ø8XØ26X2	10
K10/K11	32	VF14225A	SCREW C/SUNK M6X40	6
K10/K11	33	VF83133	BRUSH STUD	6
K10	34		BRUSH 20INCH PP BLACK	2
K11	35		PAD HOLDER 20INCH	2
K11/K12	36	VF83118	SPACER	2
K11/K12	37		SCREW TAPPING ST6.5X30	6

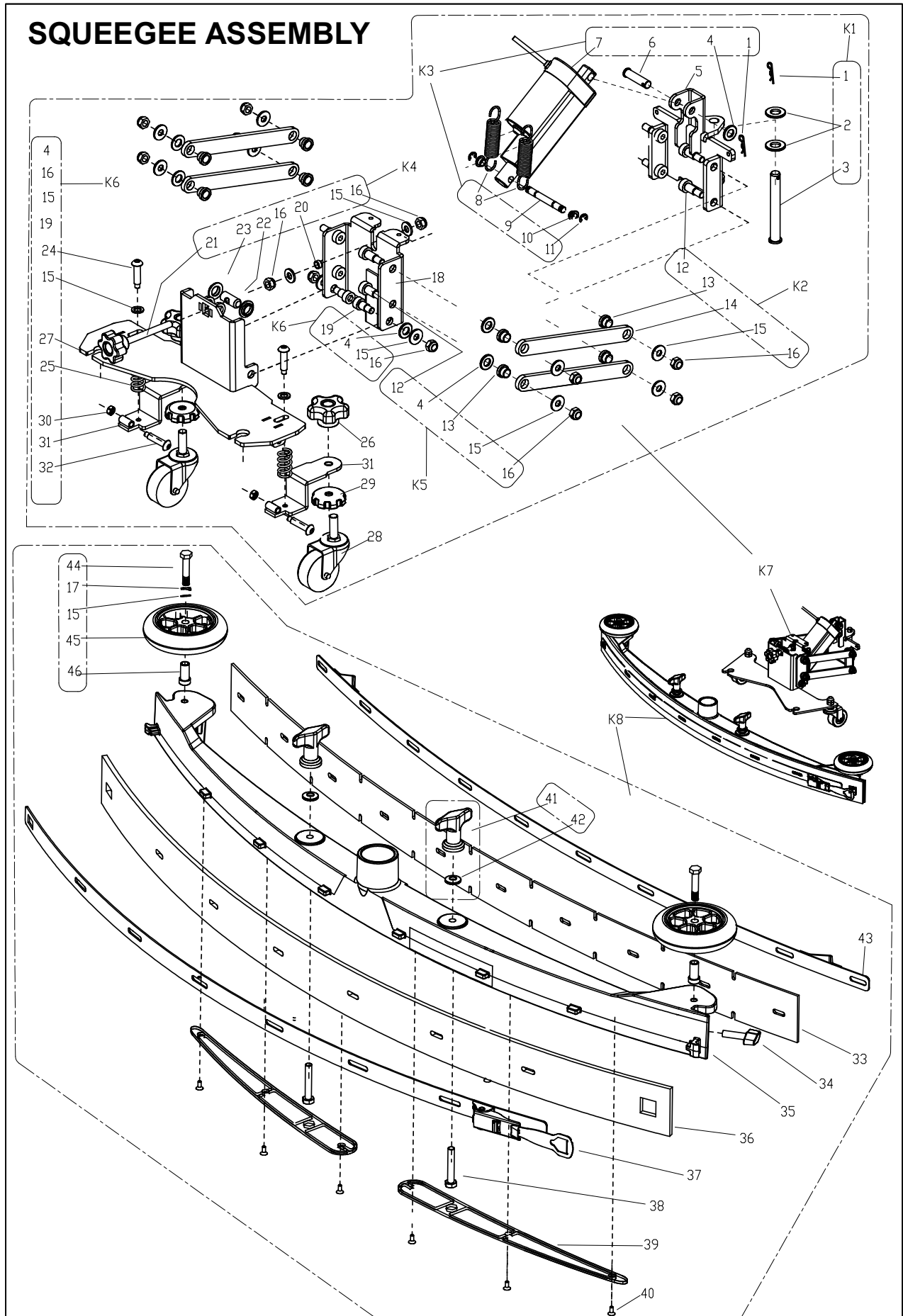
PARTS LIST

BRUSH ASSEMBLY

Kit	Item	Part No.	Description	Qty
K11/K12	38	VF99003A	RETAINER PAD	2
K11/K12	39	VA13477	SCREW TAPPING ST4X15	6
K10/K11	40		LOCKNUT M6	6
	41	VR41229	ARM U-SHAPED DECK UPPER	1
	42	VR41228	ARM U-SHAPED DECK DOWN	1
K3/K4/K7 /K13/K14	43		SCREW HEX SOC HD M5X12	18
K3/K4/K7 /K13/K14	44		WASHER PLAIN Ø5XØ10X1	12
K13	45	VR41219	STRAP SKIRT FRONT RIGHT	1
K13	46	VR41216	SKIRT FRONT RIGHT	1
K14	47	VR41218	STRAP SKIRT FRONT LEFT	1
K14	48	VR41217	SKIRT FRONT LEFT	1
	49	VF80355A	SCREW HEX SOC HD Ø10X16XM8	8
	50	VF14122	WASHER PLAIN Ø10XØ20X2	8
	51	VR41230	BUSHING BRASS	8
	52	VF14516	NUT LOCK M8	8
	53	VR41201	BRUSH DECK WELDMENT	1
	54	VR41232	KNOB NUT M10 H12	4
	55	VR41226	KNOB NUT M10 H28	4
K7	56	VR41215	SKIRT REAR RUBBER	1
	K1	VR41903	BRUSH MOTOR 36V 750W	2
	K2	VR41202	TUBE F BRUSH KIT	1
	K3	VR41203	CLAMP CLICK-ON BRUSH RIGHT KIT	1
	K4	VR41204	CLAMP CLICK-ON BRUSH LEFT KIT	1
	K5	VR41212	SIDE SKIRT ASSY RIGHT NR KIT	1
	K6	VR41208	SIDE SKIRT ASSY LEFT NR KIT	1
	K7	VR41271	REAR SKIRT MOUNTING KIT	1
	K8	VR41225	BRUSH PLATE LEFT KIT	1
	K9	VR41214	BRUSH PLATE RIGHT KIT	1
	K10*	VF82056	BRUSH 510MM 20IN MEDIUM	2
		VR41275	BRUSH 510MM 20IN 180GRIT HARD	2
		VF82056C	BRUSH 510MM 20IN SOFT	2
	K11	VF82057	PAD HOLDER KIT	2
	K12	VS10131	RETAINER KIT	2
	K13	VR41272	FRONT SKIRT RIGHT MOUNTING KIT	1
	K14	VR41273	FRONT SKIRT LEFT MOUNTING KIT	1

* ____ Optional

PARTS LIST



PART LISTS

SQUEEGEE ASSEMBLY

Kit	Item	Part No.	Description	Qty
K1/K3	1	VS13518	PIN B COTTER D2.5	2
K1	2	VF13539	WASHER PLAIN Ø13XØ32X2	2
K1	3		PIN SQUEEGEE SWING	1
K3/K5/K6	4	VF14122	WASHER PLAIN Ø10XØ20X2	7
	5	VR41301	BRACKET SQUEEGEE SWING	1
K3	6		PIN SQGEE ACTUATOR Ø10X42	1
K3	7		ACTUATOR SQUEEGEE 36V 1000N	1
K3	8	VR41311	SPRING TENSION	2
K3	9		PIN SQGEE ACTUATOR Ø7.9X70	1
K3	10		BUSHING BRASS Ø10XØ8X6	2
K3	11		E-RING Ø6	2
K2/K5	12	VF80355A	SCREW Ø10X16XM8	8
K2/K5	13		BUSHING BRASS Ø12XØ10.1X10.2	8
K2	14		ARM SQUEEGEE	4
K2/K4/K5/K6 /K8	15	VF13524	WASHER PLAIN Ø8XØ20X2	14
K2/K4/K5/K6	16	VF14516	NUT LOCK M8	12
K8	17	VF13519	WASHER SPRING Ø8	2
	18	VR41303	BRACKET SQUEEGEE ADJUST	1
K6	19	VF84228	SCREW HEX SOC HD Ø10X11.5XM8	2
K4	20		BUSHING Ø8XØ10X4.5	1
K4	21		KNOB SCREW M8X75	1
K4	22	VF85103	PIN Ø12X30	1
K4	23	VR11413	SPACER RING	2
K6	24		SCREW HEX SOC HD Ø8X38XM6	2
K6	25		SPRING CASTER WHEEL	2
	26	VR41226	KNOB NUT M10 H28	2
K6	27	VR41304	PLATE SQUEEGEE CONNECTION	1
	28	VR41305	CASTER WHEEL 2INCH	2
	29	VR41232	KNOB NUT M10 H12	2
K6	30		NUT LOCK M6	4
K6	31	VR41315	BRACKET CASTER WHEEL	2
K6	32	VA13479	SCREW HEX M6X30	2
K8	33*	VR41322	BLADE SQGEE FRONT NR L1140MM	1
		VR41322LX	BLADE SQGEE FRONT LINATEX L1140MM	1
		VR41322PU	BLADE SQGEE FRONT PU L1140MM	1
		VR41342LX	FRONT BLADE F DUAL MOTOR L1140MM LX	1
K8	34	VF85420	KNOB SCREW M8X30	2
K8	35	VR41321	SQUEEGEE HOUSING AL	1

PART LISTS

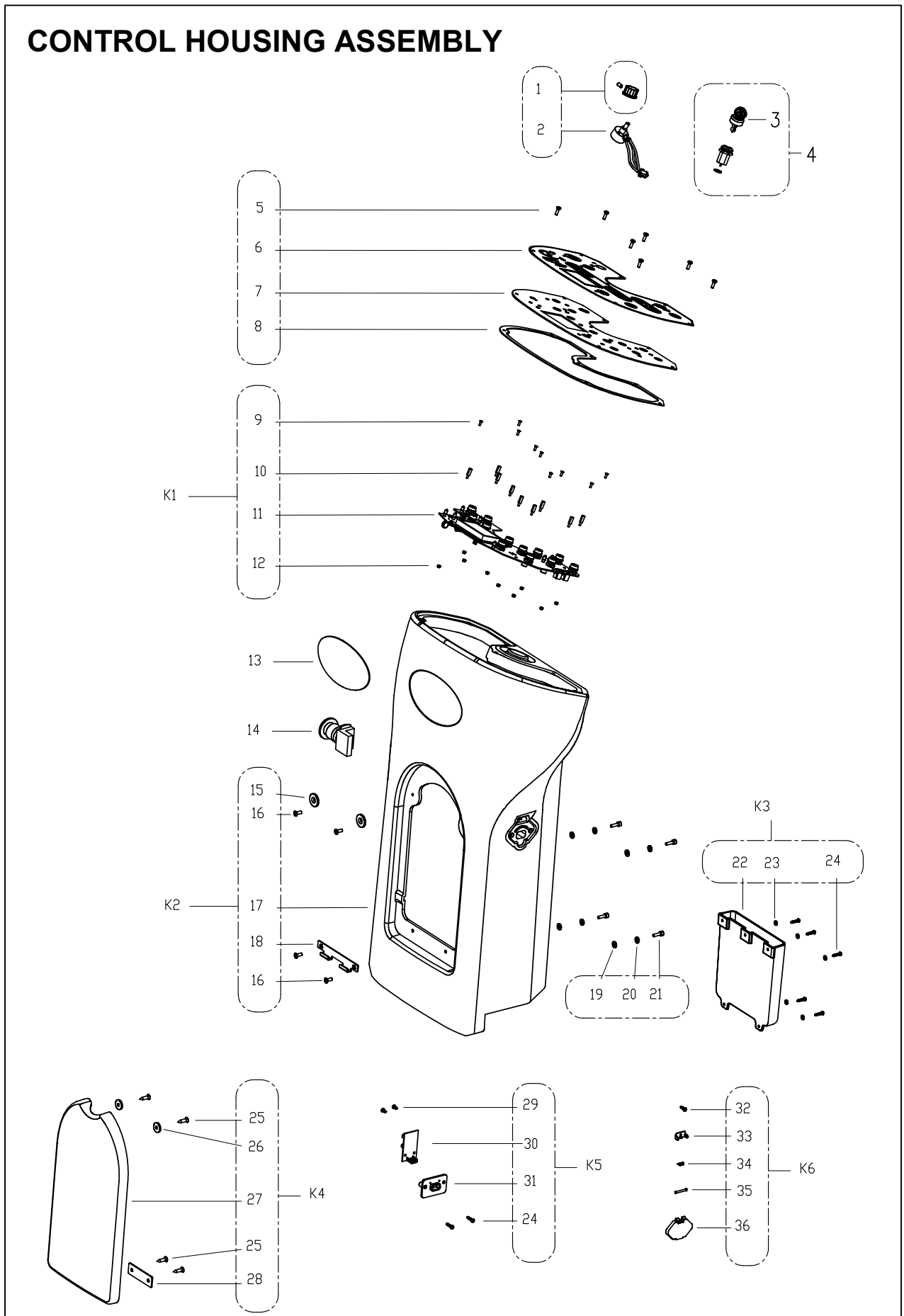
SQUEEGEE ASSEMBLY

Kit	Item	Part No.	Description	Qty
K8	36*	VR41323	BLADE SQGEE REAR NR L1171.5MM	1
		VR41323LX	BLADE SQGEE REAR LINATEX L1171.5MM	1
		VR41323PU	BLADE SQGEE REAR PU L1171.5MM	1
K8	37	VR41333	STRAP SQUEEGEE REAR	1
K8	38		SCREW HEX M8X70	2
K8	39	VR41328	COVER SQUEEGEE PLASTIC	1
K8	40	VF13650	SCREW C/SUNK M4X10	6
K8	41	VR36012	KNOB NUT M8	2
K8	42	VR41326	SLEEVE TAPER BRASS	2
K8	43	VR41325	STRAP SQUEEGEE FRONT	1
K8	44	VF13635	SCREW HEX M8X50	2
K8	45	VR14404	BUMPER WHEEL	2
K8	46	VR16004	BUSHING BRASS	2
	K1	VR41334	PIN SQUEEGEE SWING KIT	1
	K2	VR41335	ARM SQUEEGEE LIFT FRONT KIT	4
	K3	VR41336	ACTUATOR SQUEEGEE KIT	1
	K4	VR41337	ADJUST SQUEEGEE SCREW KIT	1
	K5	VR41338	ARM SQUEEGEE LIFT REAR KIT	4
	K6	VR41339	PLATE SQUEEGEE CONNECTION KIT	1
	K7	VR41340	BRACKET SQUEEGEE KIT	1
	K8	VR41341	SQUEEGEE KIT L1130MM / 44.5INCHES	1

* ____ Optional

PARTS LIST

CONTROL HOUSING ASSEMBLY



PARTS LIST

CONTROL HOUSING ASSEMBLY

Kit	Item	Part No.	Description	Qty
	1	VF81730	KNOB POTENTIOMETER	1
	2	VR41921	COMPONENT POTENTIOMETER	1
	3	1462887000	KEY	1
	4	9100001354	IGNITION KEY	1
	5	VV13650A	SCREW PH M4X10 SS	7
	6	VR41406	STICKER PANEL	1
	7	VR41407	BRACKET PANEL	1
	8	VR41421	GASKET PANEL EVA	1
K1	9		SCREW C/SUNK HD M3X8	9
K1	10		COLUMN SPACER PCB	9
K1	11		PCB MAIN CONTROL	1
K1	12		NUT LOCK M3	9
	13		LABEL LOGO	1
	14	VR41933	EMERGENCY SWITCH	1
K2	15		WASHER PLAIN C/SUNK HD	2
K2	16		SCREW C/SUNK HD M5X10	4
K2	17		HOUSING CONTROL	1
K2	18	VR41417	SUPPORT BRACKET COVER	1
K2	19	VF13614	WASHER PLAIN Ø6.2XØ12X1.2	4
K2	20	VV13607	WASHER SPRING Ø6	4
K2	21	VF13498	SCREW HEX SOC HD M6X20	4
K3	22		BAG MOBILE PHONE	1
K3	23	VV13664	WASHER PLAIN Ø4XØ12X1	5
K3/K5	24	VA13477	SCREW SELF TAPPING ST4X15	7
K4	25		SCREW SELF TAPPING ST5X12	4
K4	26		MAGNET	2
K4	27		COVER CONTROL HOUSING	1
K4	28		PLATE LIMITED COVER	1
K5	29		SCREW SELF TAPPING PH M3 X 11	2
K5	30		PCB USB	1
K5	31		PLATE USB FIXED	1
K6	32		SCREW SELF TAPPING PH ST3X8	1
K6	33		USB BRIDGE	1
K6	34		SPRING TORSION	1
K6	35		SHAFT	1
K6	36		COVER POWER SUPPLY	1

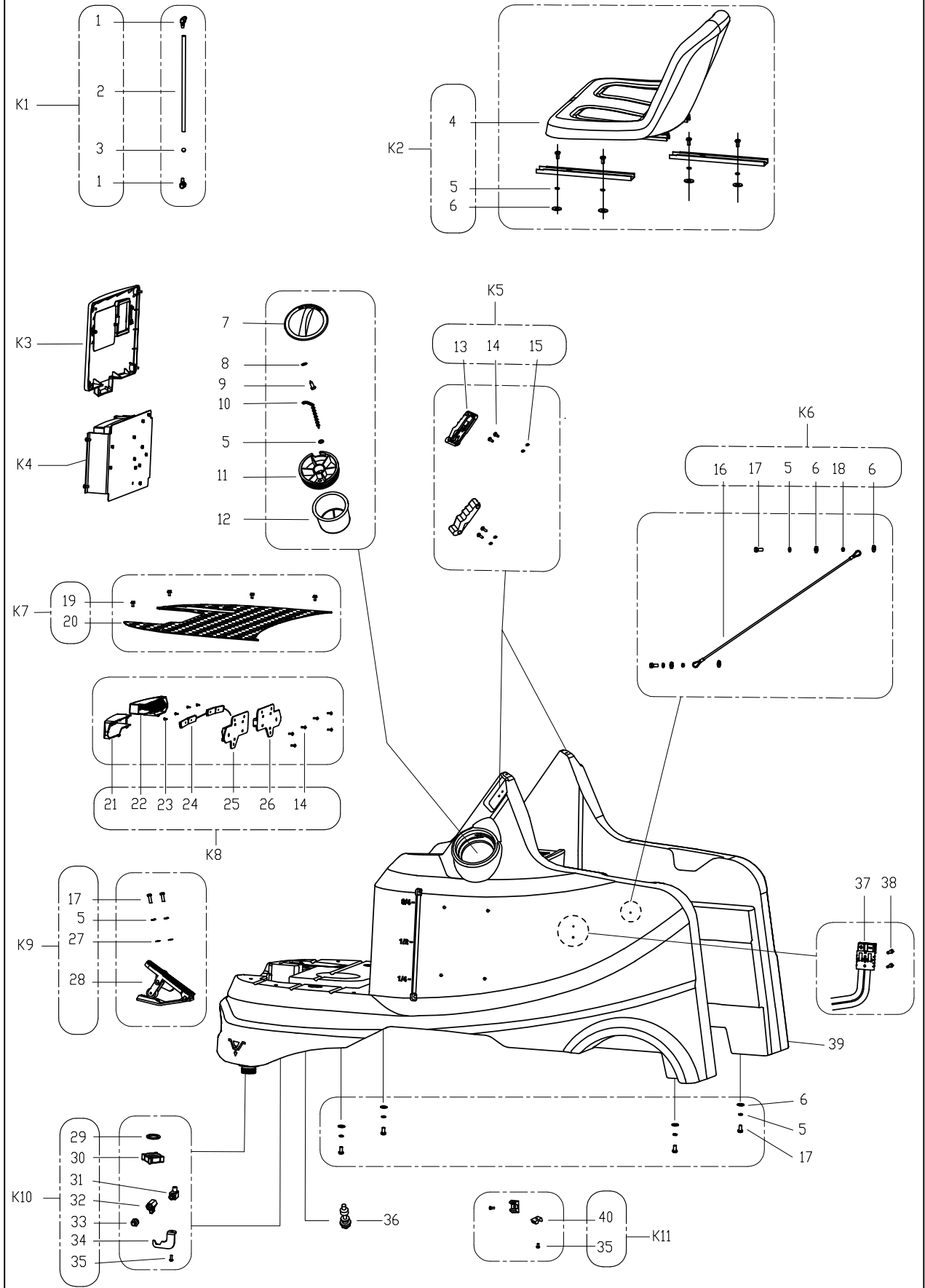
PARTS LIST

CONTROL HOUSING ASSEMBLY

Kit	Item	Part No.	Description	Qty
	K1	VR41423	PCB MAIN CONTROL KIT	1
	K2	VR41424	CONTROL HOUSING KIT	1
	K3	VR34050	PHONE STORAGE KIT	1
	K4	VR41425	COVER CONTROL HOUSING KIT	1
	K5	VR41426	PCB USB KIT	1
	K6	VR15200	COVER USB KIT	1

PARTS LIST

SOLUTION TANK ASSEMBLY



PARTS LIST

SOLUTION TANK ASSEMBLY

Kit	Item	Part No.	Description	Qty
K1	1	RD60764	ELBOW PLASTIC	2
K1	2		WATER LEVEL HOSE SOLUTION	1
K1	3	VF90613	FLOATING BALL WATER LEVEL	1
K2	4		SEAT WITH SAFETY SWITCH KIT	1
K2/K5/K7/K10/K13	5	VF13519	WASHER SPRING Ø8	13
K2/K7/K13	6	VF13524	WASHER PLAIN Ø8XØ20X2	10
	7	VR41520	COVER FILTER	1
	8	VV13664	WASHER PLAIN Ø4XØ12X1	1
	9	VF90616	SCREW SELF TAPPING ST3.5X12	1
	10	VR41516	CHAIN SS	1
	11	VR41518	HOLDER TUBE	1
	12	VR41519	SUPPORT FILTER	1
K5	13		LATCH	2
K5/K9	14	VV13650A	SCREW PH M4X10 SS	10
K5	15		WASHER SPRING Ø4	4
K6	16	VR41509	CABLE RECOVERY TANK TURNING	1
K6/K10	17	VA13491	SCREW HEX M8X25	8
K6	18		SLEEVE Ø8.1XØ10.2X4.5	2
K7	19		SCREW WITH WASHER M5X10	4
K7	20		PLATE ANTI-SKID	1
K8	21		COVER LED LAMP LEFT	1
K8	22		COVER LED LAMP RIGHT	1
K8	23		SCREW SELF TAPPING PH ST3X8	4
K8	24	VR41930	LED LIGHT	1
K8	25		HOLDER LED LAMP LEFT	1
K8	26		HOLDER LED LAMP RIGHT	1
K9	27	VF13514A	WASHER PLAIN Ø8XØ16.5X1	2
K9	28		SPEED CONTROL PEDAL	1
K10	29	VF90513	SEALING SI	1
K10	30	VF90507	COVER OUTLET	1
K10	31	VF90609	ELBOW BRASS	1
K10	32	VF80361	VALVE SOLUTION SHUT-OFF	1
K10	33	VF80313	CONNECTOR	1
K10	34		BRACKET SHUT-OFF VALVE	1
K10/K11	35		SCREW PH M5X12	3
	36	VR41952	SWITCH SOLUTION TANK EMPTY	1

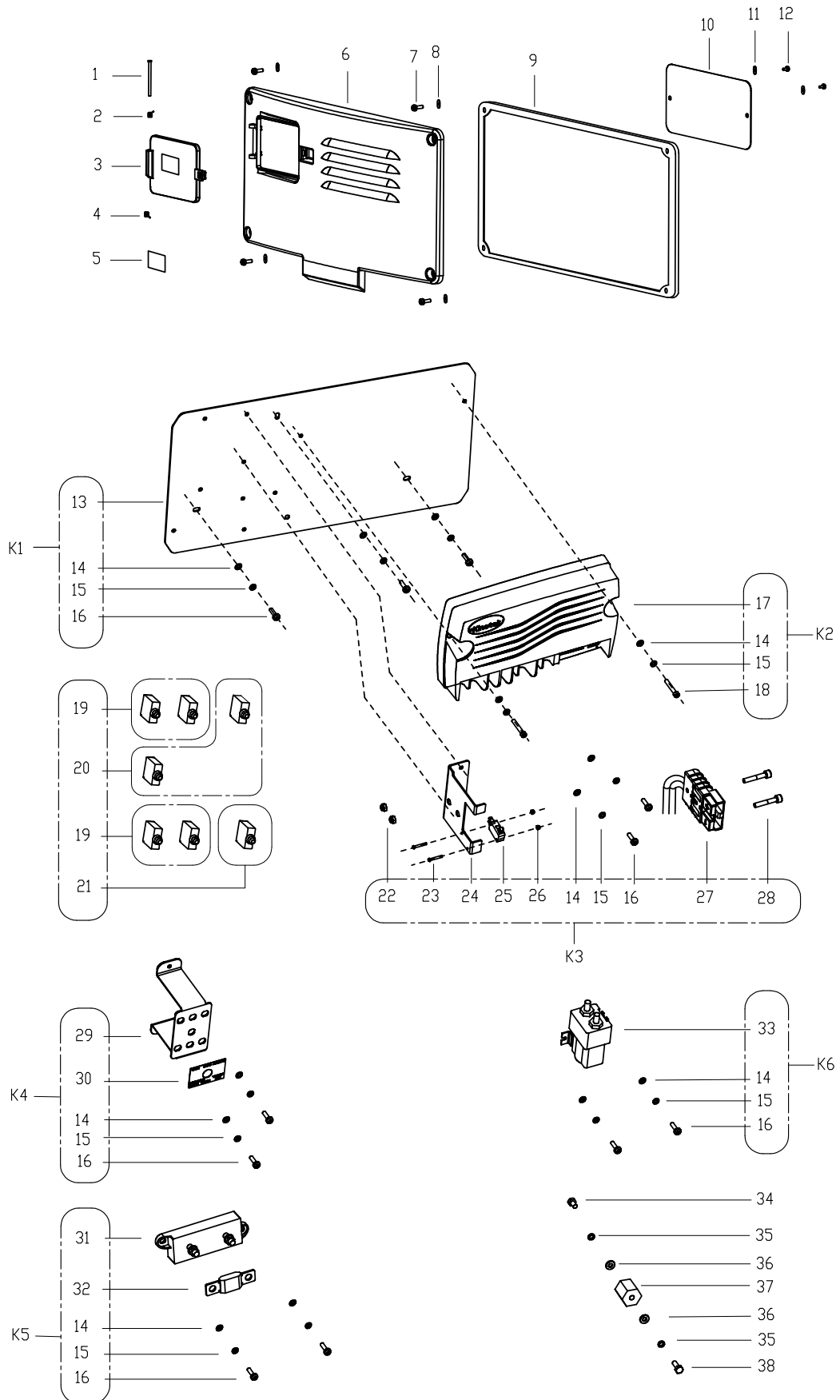
PARTS LIST

RECOVERY TANK ASSEMBLY

Kit	Item	Part No.	Description	Qty
	37		BATTERY WIRE KIT	1
	38	VF13633	SCREW HEX SOC HD M6X35	2
	39	VR41515	SOLUTION TANK 200L GREY DARK	1
K11	40		WIRE CLAMP	2
	K1	VR41540	WATER LEVEL PIPE KIT	1
	K2	VR41541	SEAT WITH SAFETY SWITCH KIT	1
	K3	VR41542	LID ELECTRIC BOX KIT	1
	K4	VR41543	ELECTRIC CONTROL KIT	1
	K5	VR41545	LATCH KIT	2
	K6	VR41546	TANK TRUNING CABLE KIT	1
	K7	VR41547	ANTI-SKID PLATE KIT	1
	K8	VR41548	LED LIGHT KIT	1
	K9	VR13002	ACCELERATOR PEDAL	1
	K10	VR17604	WATER ADJUSTMENT KIT	1
	K11	VR41560	WIRE CLAMP KIT	1

PARTS LIST

ELECTRIC PARTS ASSEMBLY



PARTS LIST

ELECTRIC PARTS ASSEMBLY

Kit	Item	Part No.	Description	Qty
	1	VR31063	PIN LID	1
	2	VR13106	SPRING TORSION UPPER	1
	3	VR31008	LID CHARGING SOCKET	1
	4	VR13104	SPRING TORSION LOWER	1
	5		LABEL CHARGING SOCKET	1
	6	VR41506	LID MAIN CONTROLLER	1
	7	VA13474	SCREW PH M5X16	4
	8	VF13532	WASHER PLAIN Ø5XØ11X2	4
	9	VR41536	GASKET EVA	1
	10	VR41508	BOARD WATERPROOF	1
	11	VF13533	WASHER PLAIN SSØ6.2XØ16X2	2
	12	VA50527	SCREW PH ST3.5X8	2
K1	13		PLATE ELECTRIC PARTS FIXED	1
K1/K2/K3/K4/K5/K6	14		WASHER PLAIN Ø5XØ10X1	13
K1/K2/K3/K4/K5/K6	15	VV13601	WASHER SPRING Ø5	13
K1/K3/K4/K5/K6	16		SCREW PH M5X12	11
K2	17		MAIN CONTROLLER	1
K2	18		SCREW PH M5X30	2
	19	VR41912	CIRCUIT BREAKER 30A	4
	20	VR37039	CIRCUIT BREAKER 3A	2
	21	VF90747	CIRCUIT BREAKER 5A	1
K3	22		NUT LOCK M6	2
K3	23	VF14244	SCREW PH M3X20	2
K3	24	VR41531	PLATE CHARGING SOCKET FIXED	1
K3	25	VF85507	MICO-SWITCH	1
K3	26		NUT LOCK M3	2
K3	27	VR41940	CHARGING CONNECTOR 175A GREY	1
K3	28	VF13633	SCREW HEX SOC HD M6X35	2
K4	29		BRACKET FUSE	1
K4	30		LABEL FUSE	1
K5	31	VS14214	HOLDER FUSE	1
K5	32	VR41915	FUSE 200A/DC 70V	1
K6	33		DC CONTACTOR SW80-999P 24V 125A	1
	34	VF14232	SCREW HEX M6X10	1
	35	VV13607	WASHER SPRING Ø6	2
	36	VF13533	WASHER PLAIN Ø6.2XØ16X2	2

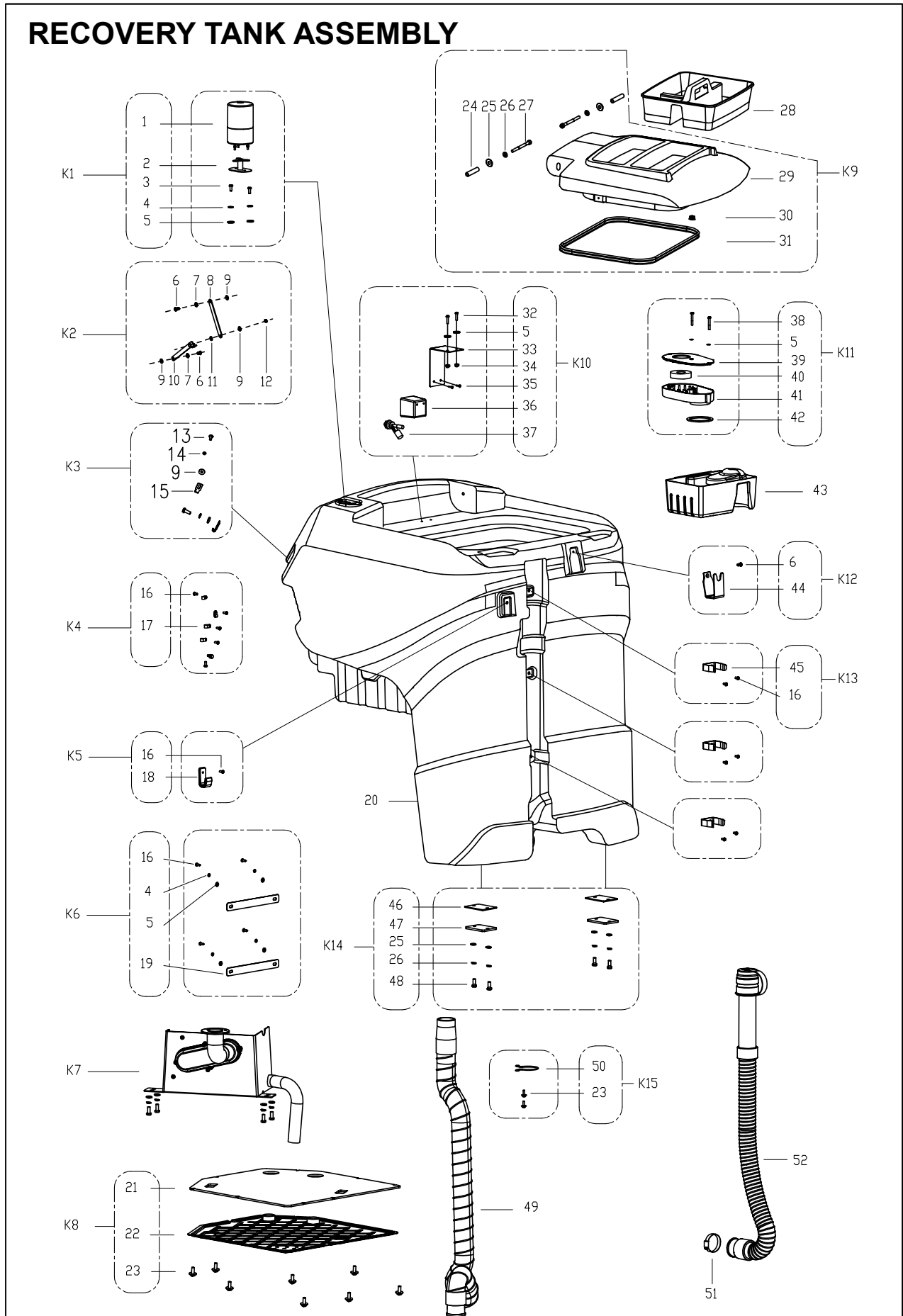
PARTS LIST

ELECTRIC PARTS ASSEMBLY

Kit	Item	Part No.	Description	Qty
	37	VR13449	POLE CONNECT WIRE	1
	38	VF13495	SCREW HEX M6X16	1
	K1	VR41563	ELECTRIC PARTS FIXED PLATE KIT	1
	K2	VR41564	MAIN CONTROLLER KIT	1
	K3	VR41556	CHARGING SOCKET FIXED KIT	1
	K4	VR41557	FIXED BRACKET KIT	1
	K5	VR41558	FUSE KIT	1
	K6	VR41559	DC CONTACTOR KIT	1

PARTS LIST

RECOVERY TANK ASSEMBLY



PARTS LIST

RECOVERY TANK ASSEMBLY

Kit	Item	Part No.	Description	Qty
K1	1		WARNING LIGHT	1
K1	2		BRACKET WARNING LIGHT	1
K1	3	VF14230	SCREW HEX M5X16	2
K1/K6	4	VV13601	WASHER SPRING Ø5	6
K1/K6/K10/K11	5		WASHER PLAIN Ø5XØ10X1	10
K2/K12	6	VV13605	SCREW C/SUNK PH M6X16	3
K2	7		SLEEVE Ø16x5	2
K2	8		SUPPORT TANK LID TURNING UPPER	1
K2/K3	9	VF13614	WASHER PLAIN Ø6XØ12.6X1.2	3
K2	10		SUPPORT TANK LID TURNING LOWER	1
K2	11	VF13514	WASHER PLAIN Ø8XØ16X1.5	1
K2	12		NUT LOCK M6	1
K3	13		SCREW M6X20	2
K3	14	VV13607	WASHER SPRING Ø6	2
K3	15		HOOK LATCH	2
K4/K5/K6/K13	16		SCREW PH M5X12	16
K4	17		CLAMP BLACK	5
K5	18		HOOK PLASTIC	1
K6	19		PLATE HOSE FIXED	2
	20	VR41601	TANK RECOVERY 200L PLASTIC DARK GREY	1
K8	21		GASKET EVA	1
K8	22		COVER VACUUM MOTOR	1
K8/K15	23		SCREW WITH WASHER M5X14	10
K9	24	VR41647	SLEEVE RECOVERY TANK LID TURNING	2
K9/K14	25		WASHER PLAIN Ø8XØ20X2	6
K9/K14	26		WASHER SPRING Ø8	6
K9	27		SCREW HEX SOC HD M8X75	2
	28*	VR41619	UTILITY CADDY	1
K9	29		LID RECOVERY TANK	1
K9	30	VF85127	CAP TANK LID BLACK	1
K9	31	VR41603	GASKET	1
K10	32	VV13635	SCREW M5X20	2
K10	33		FRAME WATER LEVEL SWITCH	1
K10	34	VF14514	NUT LOCK M5	2
K10	35		SCREW SELF TAPPING C/SUNK ST4X14	2
K10	36		COVER WATER LEVEL SWITCH	1

* ___ Optional

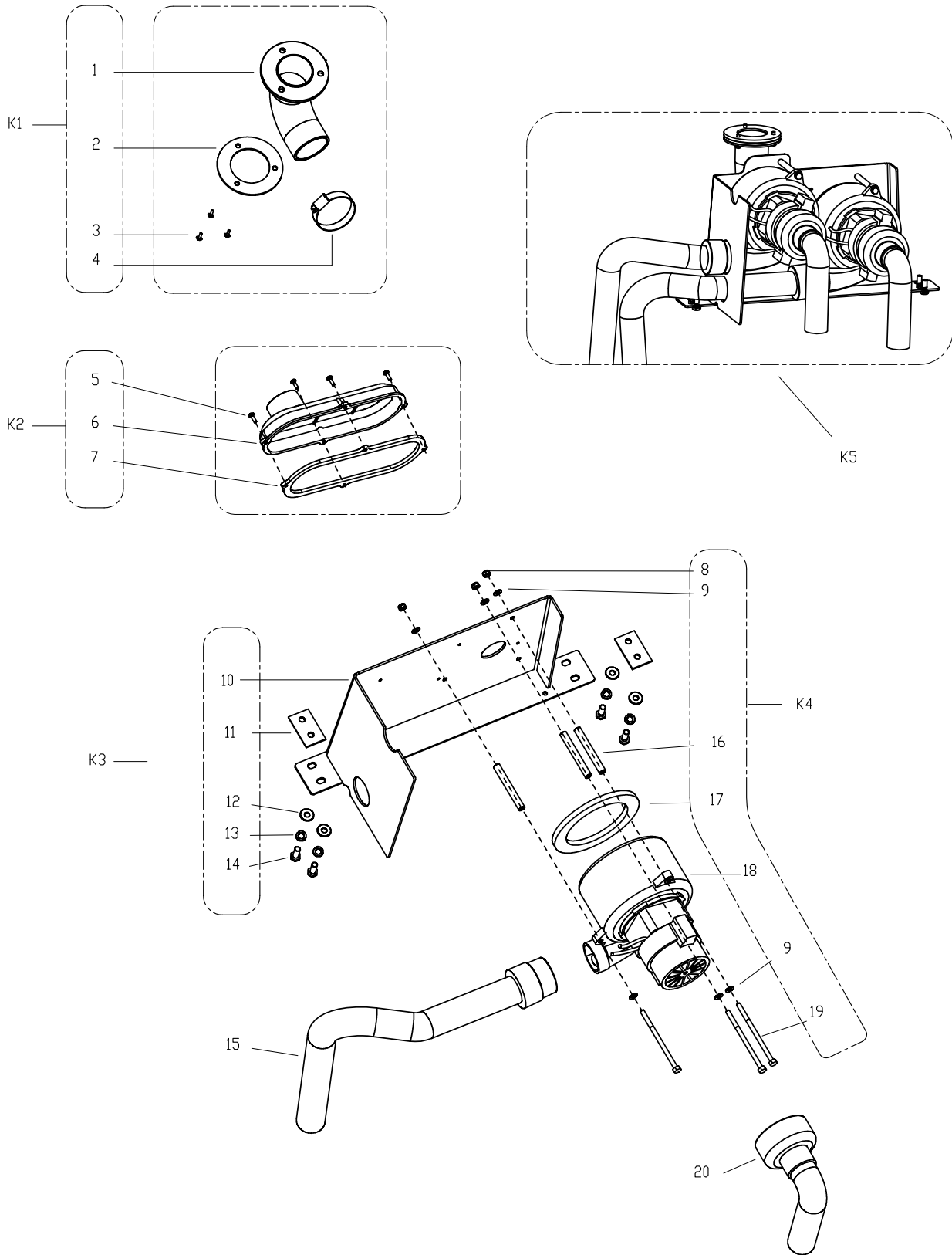
PARTS LIST

RECOVERY TANK ASSEMBLY

Kit	Item	Part No.	Description	Qty
K10	37	VR41928	SWITCH WATER LEVEL	1
K11	38	VA13476	SCREW PH M5X40	2
K11	39		COVER VACUUM INTAKE	1
K11	40		FILTER VACUUM MOTOR	1
K11	41		BASE VACUUM INTAKE	1
K11	42		GASKET VACUUM INTAKE	1
	43	VS14744	TRAY DEBRIS KIT	1
K12	44		HOOK SQUEEGEE	1
K13	45		CLAMP DRAIN HOSE	3
K14	46		SHOCK PAD EVA	2
K14	47		BRACKET FIXED RECOVERY TANK	2
K14	48	VA13491	SCREW HEX M8X25	4
	49	VR41605	SUCTION HOSE ID Ø50	1
K15	50	VR32013	CLAMP HOSE	1
	51	VR41630	CLAMP 2INCH SS	1
	52	VR41620	DRAIN HOSE	1
	K1	VR41633	WARNING LIGHT KIT	1
	K2	VR41634	SUPPORT RECOVERY TANK TURNING KIT	1
	K3	VR41635	HOOK LATCH KIT	1
	K4	VR41636	WIRE CLAMP KIT	1
	K5	VR41637	HOOK PLASTIC KIT	1
	K6	VR41638	FIXED PLATE HOSE KIT	1
	K7		VACUUM ASSEMBLY	1
	K8	VR41640	COVER VACUUM MOTOR KIT	1
	K9	VR41641	RECOVERY TANK LID ASSEMBLY	1
	K10	VR41657	RECOVERY TANK WATER LEVEL SWITCH KIT	1
	K11	VR41658	VACUUM MOTOR INTAKE KIT	1
	K12	VR17605	SQUEEGEE HOOK KIT	1
	K13	VR41644	VACUUM HOSE CLAMP KIT	1
	K14	VR41645	FIXED BRACKET RECOVERY TANK KIT	1
	K15	VR32018	VACUUM HOSE CLAMP KIT	1

PARTS LIST

VACUUM MOTOR ASSEMBLY



PARTS LIST

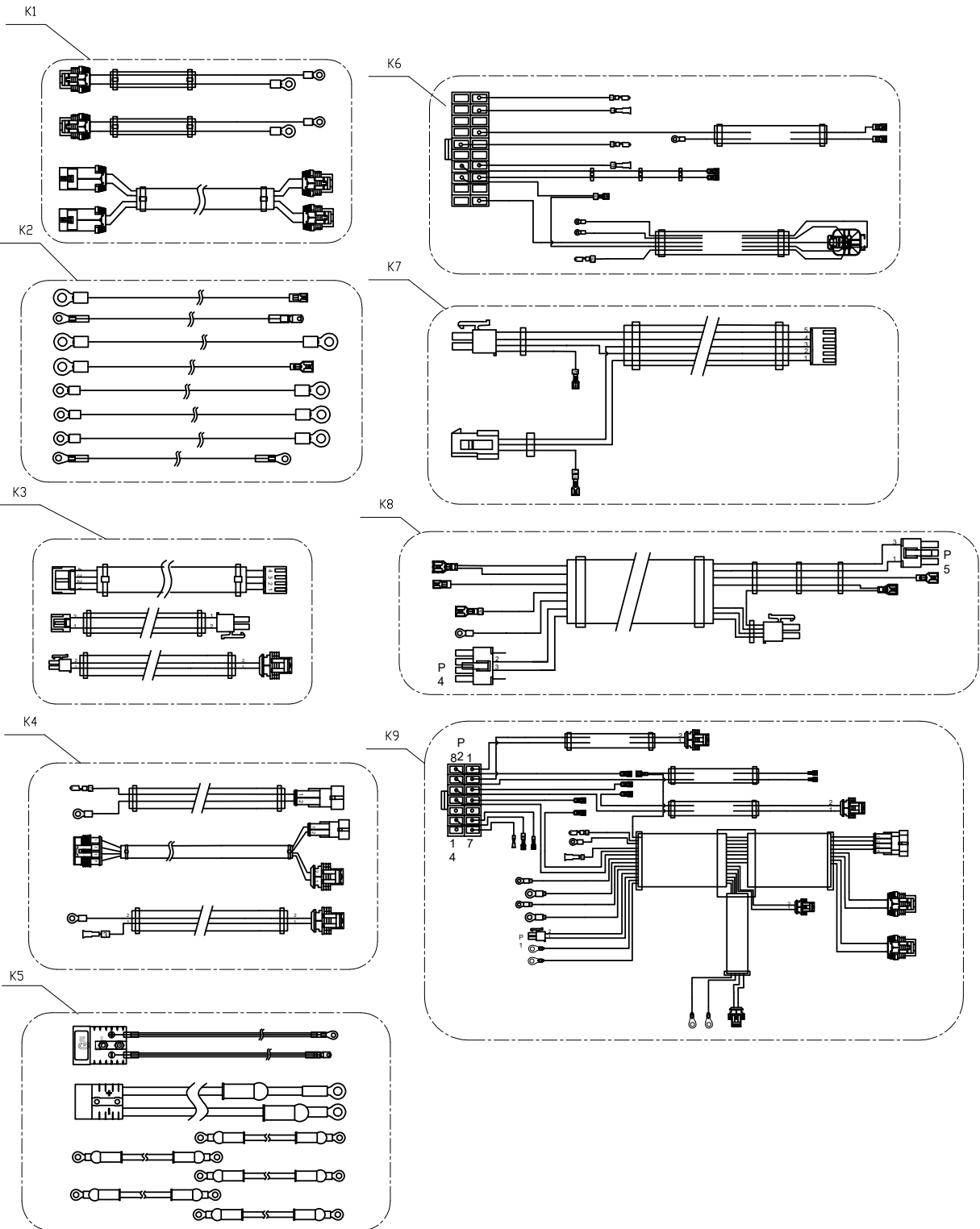
VACUUM MOTOR ASSEMBLY

Kit	Item	Part No.	Description	Qty
K1	1		ELBOW RUBBER	1
K1	2		PLATE FIXED ELBOW RUBBER	1
K1	3		SCREW WITH WASHER M5X14	3
K1	4		CLAMP 2INCH	1
K2	5	VV13650A	SCREW PH M4X10	4
K2	6		BOX VACUUM SUCTION	1
K2	7		GASKET EVA	1
K4	8		NUT LOCK M6	3
K4	9	VF13533	WASHER PLAIN Ø6.2XØ16X2	6
K3	10		BRACKET VACUUM MOTOR	1
K3	11	VR41626	SHOCK PAD EVA	2
K3	12	VF13524	WASHER PLAIN Ø8XØ20X2	4
K3	13	VF13519	WASHER SPRING Ø8	4
K3	14	VA13491	SCREW HEX M8X25	4
	15	VR41628	HOSE SILENCER VACUUM MOTOR	1
K4	16		SLEEVE	3
K4	17	VF86135	GASKET	1
K4	18	VR41904	VACUUM MOTOR 600W	1
K4	19		SCREW HEX M6X105 SS	3
	20	VR41618	HOSE HEAT DISSIPATION	1
	K1	VR41651	ELBOW RUBBER KIT	1
	K2	VR41652	VACUUM SUCTION BOX KIT	1
	K3	VR41655	BRACKET VACUUM MOTOR KIT	1
	K4	VR41653	VACUUM MOTOR KIT	1
	K5*	VR41654	DUAL-VACUUM MOTOR KIT	1

* ___optional

PARTS LIST

ELECTRIC PARTS



PARTS LIST

ELECTRIC PARTS

Item	Part No.	Description	Qty
K1	VR41957	BRUSH AND VACUUM MOTOR HARNESS KIT	1
K2	VR41958	CONTROL UNIT HARNESS KIT	1
K3	VR41959	DASHBOARD HARNESS KIT	1
K4	VR41960	SOLUTION AND REC AND SEAT SENSOR HARNESS KIT	1
K5	VR41961	BATTERY HARNESS KIT	1
K6	VR41917	WIRING HARNESS DRIVE PEDAL	1
K7	VR41919	WIRING HARNESS PROXIMITY SENSOR	1
K8	VR41920	WIRING HARNESS CAN COMMUNICATION	1
K9	VR41918	MAIN WIRING HARNESS	1

PARTS LIST

WEAR AND TEAR PARTS

No.	Part No.	Description	Qty
1	VR41147	SIDE BUMPER KIT	2
2	VR41103	FRONT WHEEL	2
3	VR41146	CHAIN 9.525 P	1
4	VR41149	BRUSH ACTUATOR KIT	1
5	VR41528	FILTER KIT	1
6	VR41966	PUMP WATER 24V	1
7	VR11600	VALVE SOLENOID 24V	1
8	VR41432	SPROCKET KIT	1
9	VR34052	BUZZER KIT	1
10	VR41116	DRIVE WHEEL	2
11	VR41900	DRIVE MOTOR 36V 1100W	1
12	VR41206	SIDE BLADE RUBBER NR	2
	VR41206LX	SIDE BLADE RUBBER LINATEX	2
13	VR41903	BRUSH MOTOR 36V 750W	2
14	VR41225	BRUSH PLATE LEFT KIT	1
15	VR41214	BRUSH PLATE RIGHT KIT	1
16	VF82056	BRUSH 20INCH KIT	2
17	VF82057	PAD HOLDER KIT	2
18	VR41305	CASTER WHEEL 2INCH	2
19	VR41322	BLADE SQGEE FRONT NR L1140MM	1
	VR41322LX	BLADE SQGEE FRONT LINATEX L1140MM	1
	VR41322PU	BLADE SQGEE FRONT PU L1140MM	1
20	VR41323	BLADE SQGEE REAR NR L1171.5MM	1
	VR41323LX	BLADE SQGEE REAR LINATEX L1171.5MM	1
	VR41323PU	BLADE SQGEE REAR PU L1171.5MM	1
21	VR14404	BUMPER WHEEL	2
22	VR41326	SLEEVE TAPER BRASS	2
23	9100001354	IGNITION KEY	1
24	VR41921	COMPONENT POTENTIOMETER	1
25	VR41423	PCB MAIN CONTROL KIT	1
26	VR41952	SWITCH SOLUTION TANK EMPTY	1
27	VR41545	LATCH KIT	2
28	VF85507	MICO-SWITCH	1
29	VR41564	MAIN CONTROLLER KIT	1
30	VR41559	DC CONTACTOR KIT	1
31	VR41928	SWITCH WATER LEVEL	1
32	VS14744	TRAY DEBRIS KIT	1
33	VR41605	SUCTION HOSE ID Ø50	1
34	VR41620	DRAIN HOSE	1
35	VR41653	VACUUM MOTOR KIT 600W	1
36	VR41912	CIRCUIT BREAKER 30A	4
37	VR37039	CIRCUIT BREAKER 3A	2
38	VF90747	CIRCUIT BREAKER 5A	1

