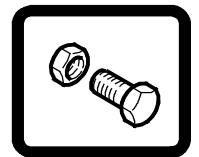




# T5

Automatic Scrubber

Parts Manual



**The Safe Scrubbing Alternative<sup>®</sup>**



**Hygenic<sup>®</sup> Fully Cleanable Tanks**

**QA Controls<sup>™</sup>**

**TennantTrue<sup>®</sup> Parts**

**IRIS<sup>®</sup> a Tennant Technology**



For the latest Parts manuals and other language Operator manuals, visit:

[www.tennantco.com/manuals](http://www.tennantco.com/manuals)

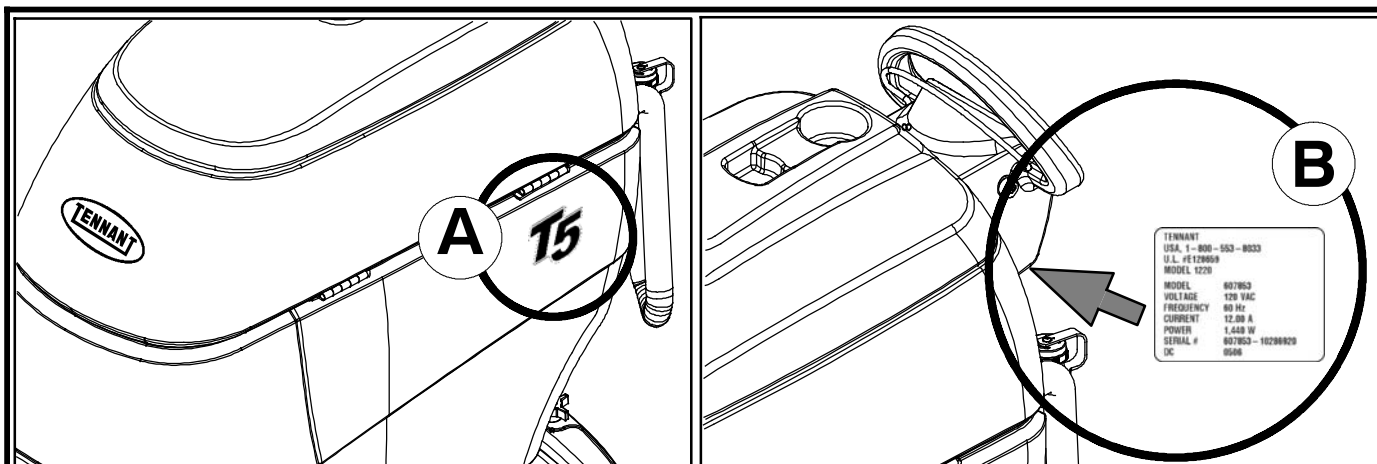
**North America / International**

[www.tennantco.com](http://www.tennantco.com)

**9002329**

**Rev. 16 (04-2016)**





Ref	Part No.	Serial Number	Description	Qty.
1	82681	(000000- )	Bracket Wldt, Lpg Mount	1
▽ 2	63810	(000000- )	Latch Assy, Lpg Tank Mtg, W/Nut	4
▲ 3	51839	(000000- )	Nut Adjustable, Lpg Tank Mtg	2
4	49263	(000000- )	Tie, Cable	3
(D)	82556	(000000- 001039)	Bracket, Vaporizer	1
	54930	(000000- )	Vaporizer, LPG	1

**HOW TO ORDER PARTS - See diagram above**

Only use TENNANT Company supplied or equivalent parts. Parts and supplies may be ordered online, by phone, by fax or by mail.

Follow the steps below to ensure prompt delivery.

1. (A) Identify the machine model.
2. (B) Identify the machine serial number from the data label.
3. (C) Ensure the proper serial number is used from the parts list.
4. Identify the part number and quantity.  
Do not order by page or reference numbers.
5. Provide your name, company name, customer ID number, billing and shipping address, phone number and purchase order number.
6. Provide detail shipping instructions.

- (D) ▽ - identifies an assembly  
▲ - identifies parts included in assembly

**Please fill out at time of installation for future reference.**

Model No. - \_\_\_\_\_

Serial No. - \_\_\_\_\_

Machine Options - \_\_\_\_\_

Sales Rep. - \_\_\_\_\_

Sales Rep. phone no. - \_\_\_\_\_

Customer ID Number - \_\_\_\_\_

Installation Date - \_\_\_\_\_

**Tennant Company**

PO Box 1452  
Minneapolis, MN 55440  
Phone: (800) 553- 8033 or (763) 513- 2850  
[www.tennantco.com](http://www.tennantco.com)

Specifications and parts are subject to change without notice.

Copyright © 2006 - 2016 TENNANT Company, Printed in U.S.A.

**TABLE OF CONTENTS**

GENERAL RECOMMENDED MAINTENANCE ITEMS .....	5	9003908 FAST INJECTOR ASSEMBLY BREAKDOWN (S/N 10347532- 10582616) 700 mm / 800 mm DISK & 800 mm CYLINDRICAL MODELS .....	68
<b>STANDARD PARTS</b>			
REPLACEMENT BRUSHES, CYLINDRICAL ...	12	9003812 FAST INJECTOR ASSEMBLY BREAKDOWN (S/N 00000000- 10347531) 700 mm / 800 mm DISK & 800 mm CYLINDRICAL MODELS .....	69
REPLACEMENT BRUSHES AND PAD DRIVERS .....	14	SOLUTION GROUP, ec-H2O NANOCLEAN MODEL (S/N 10742213- ) .....	70
REPLACEMENT BRUSHES AND PAD DRIVERS (JAPAN) .....	16	ec-H2O NANOCLEAN MODULE BREAKDOWN, 9011810 (S/N 10742213- ) .....	72
RECOVERY TANK GROUP .....	18	ec-H2O NANOCLEAN MODULE BREAKDOWN, 9011810 (S/N 10742213- ) .....	73
RECOVERY TANK GROUP (JAPAN) .....	20	SOLUTION GROUP, ec-H2O MODEL (S/N 10378380- 10742212) .....	74
VACUUM MOTOR GROUP .....	22	ec-H2O MODULE ASSEMBLY BREAKDOWN, 9007970 (S/N 10448305- 10742212) .....	76
SOLUTION TANK GROUP .....	24	ec-H2O MODULE ASSEMBLY BREAKDOWN, 9006161 (S/N 10378380- 10448304) .....	78
SIDE PANEL GROUP .....	26	1042495 SOLUTION PUMP BREAKDOWN .....	80
CONTROL CONSOLE GROUP .....	28	SOLUTION GROUP, STANDARD MODEL .....	81
COMPONENT PANEL GROUP (S/N 10632988- ) .....	32	SQUEEGEE LIFT GROUP .....	82
COMPONENT PANEL GROUP (S/N 00000000- 10632987) .....	34	SQUEEGEE GROUP, 20 in / 500 mm .....	84
DRIVE GROUP .....	36	SQUEEGEE GROUP, 24 in / 600 mm .....	86
SCRUB HEAD GROUP, DISK 24 in / 600 mm ...	38	SQUEEGEE GROUP, 26 in / 650 mm & 28 in / 700 mm .....	88
SCRUB HEAD GROUP, DISK 28 in / 700 mm ...	42	SQUEEGEE GROUP, 32 in / 800 mm .....	90
SCRUB HEAD GROUP, DISK 32 in / 800 mm ...	46	TELEMETRY GROUP .....	92
SCRUB HEAD GROUP, CYLINDRICAL 26 in / 650 mm .....	50	BATTERY GROUP, MAINTENANCE FREE 220 Ah .....	94
SCRUB HEAD GROUP, CYLINDRICAL 32 in / 800 mm .....	54	BATTERY GROUP, LEAD-ACID 235 Ah .....	95
SCRUBHEAD LIFT GROUP .....	58	BATTERY GROUP, MAINTENANCE FREE 160 Ah (JAPAN) .....	96
SOLUTION GROUP, FaST MODEL .....	60	BATTERY GROUP, LEAD ACID 180 Ah (JAPAN) .....	97
9008847 FAST INJECTOR ASSEMBLY BREAKDOWN (S/N 10538043- ), 600 mm DISK & 650 mm CYLINDRICAL MODELS ....	64		
9003907 FAST INJECTOR ASSEMBLY BREAKDOWN (S/N 10348538- 10538042) 600 mm DISK & 650 mm CYLINDRICAL MODELS .....	65		
9003810 FAST INJECTOR ASSEMBLY BREAKDOWN (S/N 00000000- 10348537) 600 mm DISK & 650 mm CYLINDRICAL MODELS .....	66		
9008887 FAST INJECTOR ASSEMBLY BREAKDOWN (S/N 10582617- ), 700 mm / 800 mm DISK & 800 mm CYLINDRICAL MODELS .....	67		

## TABLE OF CONTENTS

### STANDARD PARTS - Cont'd

ELECTRICAL DIAGRAM, STANDARD, FaST & ec-H2O MODELS (S/N 10742213- ) ..	98
ELECTRICAL DIAGRAM, STANDARD & FaST MODEL (S/N 10632988- 10742212) .....	102
ELECTRICAL DIAGRAM, STANDARD & FaST MODEL (S/N 00000000- 10632987) .....	104
ELECTRICAL DIAGRAM, ec-H2O MODEL (S/N 10632988- 10742212) .....	106
ELECTRICAL DIAGRAM, ec-H2O MODEL (S/N 00000000- 10632987) .....	108
WIRE HARNESS GROUP, MAIN (S/N 10632988- ) .....	110
WIRE HARNESS GROUP, MAIN (S/N 00000000- 10632987) .....	112
WIRE HARNESS GROUP, MAIN AUSTRALIA (S/N 10632988- ) .....	114
WIRE HARNESS GROUP, MAIN AUSTRALIA (S/N 00000000- 10632987) .....	116
WIRE HARNESS GROUP, ec- H2O NANOCLEAN (S/N 10742213- ) .....	118
WIRE HARNESS GROUP, ec- H2O (S/N 10632988- 10742212) .....	120
WIRE HARNESS GROUP, ec- H2O (S/N 10446231- 10632987) .....	122
WIRE HARNESS GROUP, ec- H2O (S/N 00000000- 10446230) .....	124
WIRE HARNESS GROUP, TELEMETRY .....	126
WIRE HARNESS GROUP, FAST .....	128
WIRE HARNESS GROUP, BRAKE .....	129
WIRE HARNESS GROUP, CHASSIS .....	130

### OPTIONS

POWER WAND HOSE GROUP .....	131
OFF-BOARD CHARGER GROUP .....	132
ON-BOARD CHARGER GROUP .....	134
BUMPER WHEEL KIT .....	136
WAND PUMP KIT .....	138
DELUXE POWER WAND GROUP .....	140
OPTIONAL WHEEL KIT .....	142
HYDROLINK® BATTERY WATERING SYSTEM KIT .....	143

**RECOMMENDED MAINTENANCE ITEMS****GENERAL RECOMMENDED MAINTENANCE ITEMS**

	<b>Part No.</b>	<b>Serial Number</b>	<b>Description</b>	<b>Qty.</b>
	1042937	(00000000-	) Gasket, Snap- In, Dual- Durometer [T5]	1
▽	1043538	(00000000-	) Hose Assy, Drain, 1.50id X 29.5l, Blk	1
▲▽	1008639	(00000000-	) Cap, Drain Assy	1
▲▲	1019563	(00000000-	) Strap, Cap, Drain	1
▲▲	1008637	(00000000-	) Seal, Org, 1.48id 1.76od	1
	1013628	(00000000-	) Gasket, Mtg, Float, .125th, Neo, Adh	1
	630052	(00000000-	) Float, Shut- Off, (2)Ball, 1.75d	1
▽	9002562	(00000000-	) Motor Kit, Vacuum [T5]	1
▲	1073334	(00000000-	) Brush, Carbon, Motor, Ele [1pick=1pkg] (1Pkg = 2 Brushes)	1
▲	100038	(00000000-	) Gasket, Vacuum Mtr 5.7 Epdm W/Psa	1
	86379	(00000000-	) Fuse, 100a 125volt 0.88 X 3.2l	1
	1049048	(00000000-	) Caster, Swivel, 4.0d 1.4w, 4hole [400lb]	2
	614166	(00000000-	) Brush Kit, Carbon [Qty 4] (For Transaxle Motor 1031723)	1
	1031775	(00000000-	) Brush, Brush- Motor, Afmkt (For Disk Scrub Head Motor 1023067)	1
	1035888	(10338658-	) Belt, Drive, 6Grv, 508l X 14w, [6Pj]	2
	377500	(00000000- 10338657 )	Belt,Synchronous, 500l,15mm [05p,Plychn]	2
	1022401	(00000000-	) Gasket, Cover, Belt	2
	1049739	(10419662-	) Brush Kit, Carbon, Motor, Replmt [4pcs]	2
	190152	(00000000- 10419661 )	Brush, Carbon [Pk=4]	2
	1025272	(00000000-	) Skirt, Tray, Debris, 65cm	1
	1025273	(00000000-	) Skirt, Tray, Debris, 80cm	1
	1017015	(00000000-	) Detergent, Pkg, 2 Liter, Sgl [365]	1
	1017022	(00000000-	) Detergent, Pkg, 2 Liter, Sgl [665]	1
	1008675	(00000000-	) Gasket, Edge, Foam, 24.00l [Fr]	1
	1024105	(00000000-	) Cable, Lift, Sqge	1
	578074000	(00000000-	) Blade, Sqge, 300.8mml, Wand (Optional Power Wand)	2
▽	9004459	(00000000-	) Wheel Kit, Bumper, Retrofit [T5]	1
▲	614317	(00000000-	) Wheel, 04.0d 1.00w 0.38b, Rbr, Gray	2
▲	1014918	(00000000-	) Wheel, 03.0d 0.88w 0.31b, W/ Bshg, Rbr	2
▽	9004903	(00000000-	) Wheel Kit, Pneumatic, Ci [T5 T5e Ss5]	1
▲	1059452	(00000000-	) Tire Assy, Pneu, Grey, 2.8/2.5- 04 2.75bc	2
▽	9004909	(00000000-	) Wheel Kit, Solid, Ci [T5 T5e Ss5]	1
▲	1218753	(10771597-	) Wheel, Scrbr, 213mm, W/ Taper	2
	1020688	(00000000- 10771596 )	Wheel, Scrbr, 213.00mm With Taper (Replaced by 9004909)	2
	9006161	(10378380- 10448304 )	Module Kit, Replmt [Ec- H2o] (See Breakdown)	1
	9007970	(10448305- 10742212 )	Module Kit, Replmt [Ec- H2o] (See Breakdown)	1
	9011810	(10742213-	) Module Kit, Replmt [Ec- H2o, B 02] (See Breakdown)	1
	9013646	(10742213-	) Cartridge, Ec- H2o Nanoclean Wcm, 270ml	1
	1216973	(10742213-	) Pump Assy, Dispenser	1
	9010085	(10742213-	) Control Box Assy Kit, Replmt, Telem[Usa]	1
	9010086	(10742213-	) Control Box Assy Kit, Replmt, Telem[Intl]	1
	1070659	(10742213-	) Antenna, Telem, 70 In [Gprs]	1

▽ ASSEMBLY

▲ INCLUDED IN ASSEMBLY

**RECOMMENDED MAINTENANCE ITEMS****GENERAL RECOMMENDED MAINTENANCE ITEMS (JAPAN)**

<b>Part No.</b>	<b>Serial Number</b>	<b>Description</b>	<b>Qty.</b>
370095	(00000000-	) Device, Centering, Clip- On, Teal, Gf Pp	1
989977	(00000000-	) Pad, 12.00, Sapphire [5pc]	2
989813	(00000000-	) Pad, Stripping, 12inch, Blk [5pc]	2
989973	(00000000-	) Pad, 12.0, Brown [5pc] (Deep Scrubbing & Stripping)	2
989974	(00000000-	) Pad, 12.0, Blu [5pc] (Blue) (Medium Scrubbing)	2
989975	(00000000-	) Pad, 12.0, Red [5pc] (Light Scrubbing & Buffing)	2
989909	(00000000-	) Jumbo Tan 12"	2
989980	(00000000-	) Pad, 12.0, White [5pc] (Polishing)	2
630660	(00000000-	) Pad, 14.0 [Sapphire, Case Of 5]	2
630653	(00000000-	) Pad, 14.0, Brown [Case Of 5] (Deep Scrubbing & Stripping)	2
630654	(00000000-	) Pad, 14.0, Blu [Case Of 5] (Blue) (Medium Scrubbing)	2
630655	(00000000-	) Pad, 14.0, Red [Case Of 5] (Light Scrubbing & Buffing)	2
989806	(00000000-	) Jumbo Tan 14"	2
989981	(00000000-	) Pad, 14.0, White [5pc] (Polishing)	2
630642	(00000000-	) Pad, Stripping, 16.0[Sapphire,Case Of 5]	2
989814	(00000000-	) Pad, Stripping, 16inch, Blk	2
630643	(00000000-	) Pad, 16.0, Brown [Case Of 5] (Deep Scrubbing & Stripping)	2
630644	(00000000-	) Pad, 16.0, Blu [Case Of 5] (Blue) (Medium Scrubbing)	2
630645	(00000000-	) Pad, 16.0, Red [Case Of 5] (Light Scrubbing & Buffing)	2
989807	(00000000-	) Jumbo Tan 16"	2
989907	(00000000-	) Pad, 16.0, White [5pc] (Polishing)	2
1051986	(10581737-	) Valve, Ball, 2way, 1.0id Pvc, W/Handle	1
1051504	(10581737-	) Strap, Hose, Drain	1
1051438	(10581737-	) Hose, Drain, 1.50id X 19.3l, Blk	1

**RECOMMENDED MAINTENANCE ITEMS****CYLINDRICAL 26 in / 650 mm MODEL RECOMMENDED MAINTENANCE ITEMS**

<b>Part No.</b>	<b>Serial Number</b>	<b>Description</b>	<b>Qty.</b>
399251	(00000000-	) Brush, Scb, Cyl, 26l, 18 Sr, Nyl (Soft Nylon)	2
399252	(00000000-	) Brush, Scb, Cyl, 26.0l, Poly (Medium Polypropylene)	2
399253	(00000000-	) Brush, Scb, Cyl, 26.0l, Hd Poly (Stiff Polypropylene)	2
399254	(00000000-	) Brush, Scb, Cyl, 26.0l, Abr (Abrasive)	2
1060864	(00000000-	) Brush, Scb, Cyl, 26l, 18sr, Abr, Spl (Abrasive- Light Duty)	2

**CYLINDRICAL 32 in / 800 mm MODEL RECOMMENDED MAINTENANCE ITEMS**

<b>Part No.</b>	<b>Serial Number</b>	<b>Description</b>	<b>Qty.</b>
222308	(00000000-	) Brush, Scb, Cyl, 32l, 18 Sr, Nyl, Spl (Soft Nylon)	2
374042	(00000000-	) Brush, Scb, Cyl, 32l, 18 Sr, Pyp (Medium Polypropylene)	2
222307	(00000000-	) Brush, Scb, Cyl, 32l, 18 Sr, Pyp Grout, Spl (Stiff Polypropylene)	2
222309	(00000000-	) Brush, Scb, Cyl, 32l, 18 Sr, Abr, Spl (Abrasive)	2

**DISK 24 in / 600 mm MODEL RECOMMENDED MAINTENANCE ITEMS**

<b>Part No.</b>	<b>Serial Number</b>	<b>Description</b>	<b>Qty.</b>
1220203	(00000000-	) Brush Assy, Disk, Scb, 12.0d, Nyl (Soft Nylon)	2
1220204	(00000000-	) Brush Assy, Disk, Scb, 12.0d, Pyp (Med Polypropylene)	2
1220205	(00000000-	) Brush Assy, Disk, Scb, 12.0d, Sab (Super Abrasive)	2
370095	(00000000-	) Device, Centering, Clip- On, Teal, Gf Pp	1
385940	(00000000-	) Pad, Polish, 12.0d, White [1pad=1pc] (Polishing)	2
385941	(00000000-	) Pad, Buff, 12.0d, Red [1pad=1pc] (Light Scrub & Buff)	2
385942	(00000000-	) Pad, Scb, 12.0d, Blu [1pick = 1 Pad] (Blue) (Med Scrub)	2
385943	(00000000-	) Pad, Stripping, 12.0d, Brown [1pad=1pc] (Scrub/Strip)	2
1051020	(00000000-	) Pad, Surf Prep, 12.0d [Mar, 1pick=1pad] (Maroon- Prep)	2

**RECOMMENDED MAINTENANCE ITEMS****DISK 28 in / 700 mm MODEL RECOMMENDED MAINTENANCE ITEMS**

<b>Part No.</b>	<b>Serial Number</b>	<b>Description</b>	<b>Qty.</b>
1221541	(00000000- )	Brush Assy, Disk, Scb, 14.0d, Nyl (Soft Nylon)	2
1220218	(00000000- )	Brush Assy, Disk, Scb, 14.0d, Pyp (Med Polypropylene)	2
1220217	(00000000- )	Brush Assy, Disk, Scb, 14.0d, Sab (Super Abrasive)	2
370095	(00000000- )	Device, Centering, Clip- On, Teal, Gf Pp	1
222324	(00000000- )	Pad, Polish, 14.0d, White [1pad=1pc] (Polish)	2
222325	(00000000- )	Pad, Buff, 14.0d, Red (Light Scrub & Buff)	2
222326	(00000000- )	Pad, Scb, 14.0d, Blu [1pad=1pc] (Blue) (Med Scrub)	2
222327	(00000000- )	Pad, Stripping, 14.0d, Brown [1pad=1pc] (Scrub/Strip)	2
1051026	(00000000- )	Pad, Surf Prep, 14.0d [Mar, 1pick=1pad] (Maroon- Prep)	2

**DISK 32 in / 800 mm MODEL RECOMMENDED MAINTENANCE ITEMS**

<b>Part No.</b>	<b>Serial Number</b>	<b>Description</b>	<b>Qty.</b>
1220215	(00000000- )	Brush Assy, Disk, Scb, 16.0d, Nyl (Soft Nylon)	2
1220216	(00000000- )	Brush Assy, Disk, Scb, 16.0d, Pyp (Med Polypropylene)	2
1220214	(00000000- )	Brush Assy, Disk, Scb, 16.0d, Sab (Super Abrasive)	2
370095	(00000000- )	Device, Centering, Clip- On, Teal, Gf Pp	1
63248- 4	(00000000- )	Pad, Polish, 16.0d, White [1pad=1pc] (Polish)	2
63248- 3	(00000000- )	Pad, Buff, 16.0d, Red (Light Scrub & Buff)	2
63248- 2	(00000000- )	Pad, Scb, 16.0d, Blu [1pad=1pc] (Blue) (Med Scrub)	2
63248- 1	(00000000- )	Pad, Stripping, 16.0d, Brown [1pad=1pc] (Scrub/Strip)	2
1051027	(00000000- )	Pad, Surf Prep, 16.0d [Mar, 1pick=1pad] (Maroon- Prep)	2



**RECOMMENDED MAINTENANCE ITEMS****SQUEEGEE GROUP, 20 in / 500 mm, RECOMMENDED MAINTENANCE ITEMS**

	<b>Part No.</b>	<b>Serial Number</b>	<b>Description</b>	<b>Qty.</b>
▽	9001178	(00000000-	) Squeegee Assy Kit, 500mm, Ci	1
▲	1010560	(00000000-	) Wheel, Bmpr, 80d X 25w, Non- Marking	2
▲	1006343	(00000000-	) Caster, Swivel, 50mmd, M10 X 30 Stem, PI	2
▲	1010558	(00000000-	) Knob, Star, 2.00d 4ear 0.71 M8x1.25 Thru	4
▲	1011232	(00000000-	) Blade, Sqge, Front, 500mml (Linatex Red Standard)	1
	1014091	(00000000-	) Blade, Sqge, Front, 500mm, Gum (Gum Rubber Tan Optional)	1
	1014092	(00000000-	) Blade, Sqge, Front, 500mml, Oil- Rstn (Polyurethane Natural Optional)	1
▲	1011456	(00000000-	) Blade, Sqge, Rear, 500mm Linatex (Linatex Red Standard)	1
	1014093	(00000000-	) Blade, Sqge, Rear, 500mm Gum (Gum Rubber Tan Optional)	1
	1014094	(00000000-	) Blade, Sqge, Rear, 500mm Oil- Rstn (Polyurethane Natural Optional)	1
▲	1013933	(00000000-	) Strap Assy, Sqge, 500mm	1
	1014026	(00000000-	) Hose, Vacuum, 1.5d X 57l, 2- Short Cuffs	1

**SQUEEGEE GROUP, 24 in / 600 mm, RECOMMENDED MAINTENANCE ITEMS**

	<b>Part No.</b>	<b>Serial Number</b>	<b>Description</b>	<b>Qty.</b>
▽	9002679	(00000000-	) Kit, Squeegee, 600mm Ci	1
▲	1010560	(00000000-	) Wheel, Bmpr, 80d X 25w, Non- Marking	2
▲	1006343	(00000000-	) Caster, Swivel, 50mm D, M10 X 30 Stem,Zn	2
▲	1015911	(00000000-	) Knob, Star, 2.75d 4ear 1.11 M8x1.25 Thru	4
▲	1021804	(00000000-	) Blade, Sqge, Front, 88cml [Lnx, 60cm] (Linatex Red Standard)	1
	1025333	(00000000-	) Blade, Sqge, Front, 88cml, Gum [60cm] (Gum Rubber Tan Optional)	1
	1025334	(00000000-	) Blade, Sqge, Front, 88cml, Ure [60cm] (Polyurethane Natural Optional)	1
▲	630477	(00000000-	) Wheel, Pyu, 2.0d 0.38w, Gray	1
▲	1021333	(00000000-	) Blade, Sqge, Rear, 88cm,Linatex[60cm] (Linatex Red Standard)	1
	1025335	(00000000-	) Blade, Sqge, Rear, 88cml, Gum [60cm] (Gum Rubber Tan Optional)	1
	1025336	(00000000-	) Blade, Sqge, Rear, 88cm, Ure [60cm] (Polyurethane Natural Optional)	1
	1014026	(00000000-	) Hose, Vacuum, 1.5d X 57l, 2- Short Cuffs	1

▽ ASSEMBLY

▲ INCLUDED IN ASSEMBLY

## RECOMMENDED MAINTENANCE ITEMS

### SQUEEGEE GROUP, 26 in / 650 mm & 28 in / 700 mm RECOMMENDED MAINTENANCE ITEMS

	Part No.	Serial Number	Description	Qty.
▽	9002680	(00000000-	) Kit, Squeegee, 700mm Ci	1
▲	1010560	(00000000-	) Wheel, Bmpr, 80d X 25w, Non- Marking	2
▲	1006343	(00000000-	) Caster, Swivel, 50mm D, M10 X 30 Stem,Zn	2
▲	1015911	(00000000-	) Knob, Star, 2.75d 4ear 1.1l M8x1.25 Thru	4
▲	1023327	(00000000-	) Blade, Sqge, Front, 98cml [Lnx, 70cm] (Linatex Red Standard)	1
▲	1025337	(00000000-	) Blade, Sqge, Front, 98cml, Gum [70cm] (Gum Rubber Tan Optional)	1
▲	1025339	(00000000-	) Blade, Sqge, Front, 98cml, Ure [70cm] (Polyurethane Natural Optional)	1
▲	630477	(00000000-	) Wheel, Pyu, 2.0d 0.38w, Gray	1
▲	1023329	(00000000-	) Blade, Sqge, Rear, 98cm,Linatex[70cm] (Linatex Red Standard)	1
	1025340	(00000000-	) Blade, Sqge, Rear, 98cml, Gum [70cm] (Gum Rubber Tan Optional)	1
	1025341	(00000000-	) Blade, Sqge, Rear, 98cm, Ure [70cm] (Polyurethane Natural Optional)	1
	1014026	(00000000-	) Hose, Vacuum, 1.5d X 57l, 2- Short Cuffs	1

### SQUEEGEE GROUP, 32 in / 800 mm, RECOMMENDED MAINTENANCE ITEMS

	Part No.	Serial Number	Description	Qty.
▽	9002681	(00000000-	) Kit, Squeegee, 800mm Ci	1
▲	1010560	(00000000-	) Wheel, Bmpr, 80d X 25w, Non- Marking	2
▲	1006343	(00000000-	) Caster, Swivel, 50mm D, M10 X 30 Stem,Zn	2
▲	1015911	(00000000-	) Knob, Star, 2.75d 4ear 1.1l M8x1.25 Thru	4
▲	1023398	(00000000-	) Blade, Sqge, Front, 105cm [Linx 80cm] (Linatex Red Standard)	1
	1025342	(00000000-	) Blade, Sqge, Front, 105cml, Gum[80cm] (Gum Rubber Tan Optional)	1
	1025343	(00000000-	) Blade, Sqge, Front, 105cm, Ure [80cm] (Polyurethane Natural Optional)	1
▲	630477	(00000000-	) Wheel, Pyu, 2.0d 0.38w, Gray	1
▲	1023399	(00000000-	) Blade, Sqge, Rear, 105cml[Linx, 80cm] (Linatex Red Standard)	1
	1025344	(00000000-	) Blade, Sqge, Rear, 105cml, Gum [80cm] (Gum Rubber Tan Optional)	1
	1025346	(00000000-	) Blade, Sqge, Rear, 105cml, Ure [80cm] (Polyurethane Natural Optional)	1
	1014026	(00000000-	) Hose, Vacuum, 1.5d X 57l, 2- Short Cuffs	1

▽ ASSEMBLY

▲ INCLUDED IN ASSEMBLY

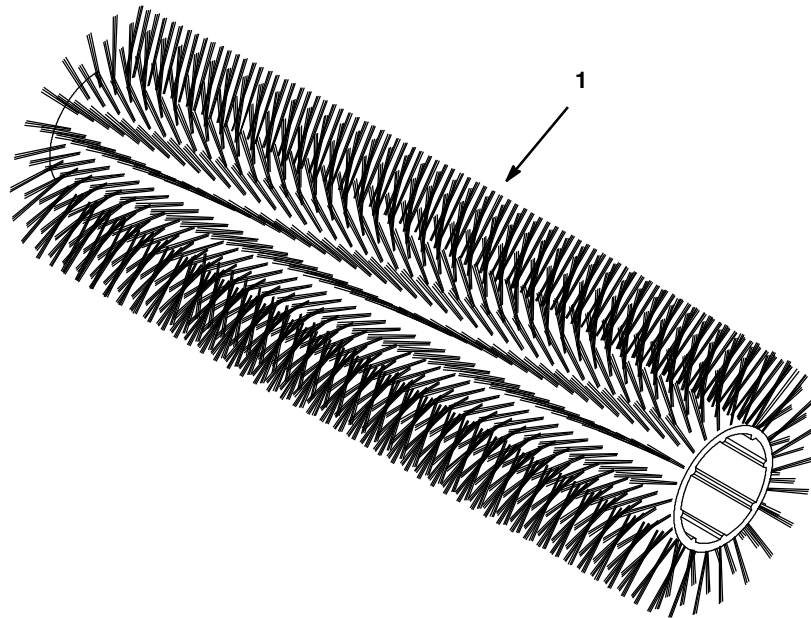
## **RECOMMENDED MAINTENANCE ITEMS**

---

## STANDARD PARTS

---

### REPLACEMENT BRUSHES, CYLINDRICAL

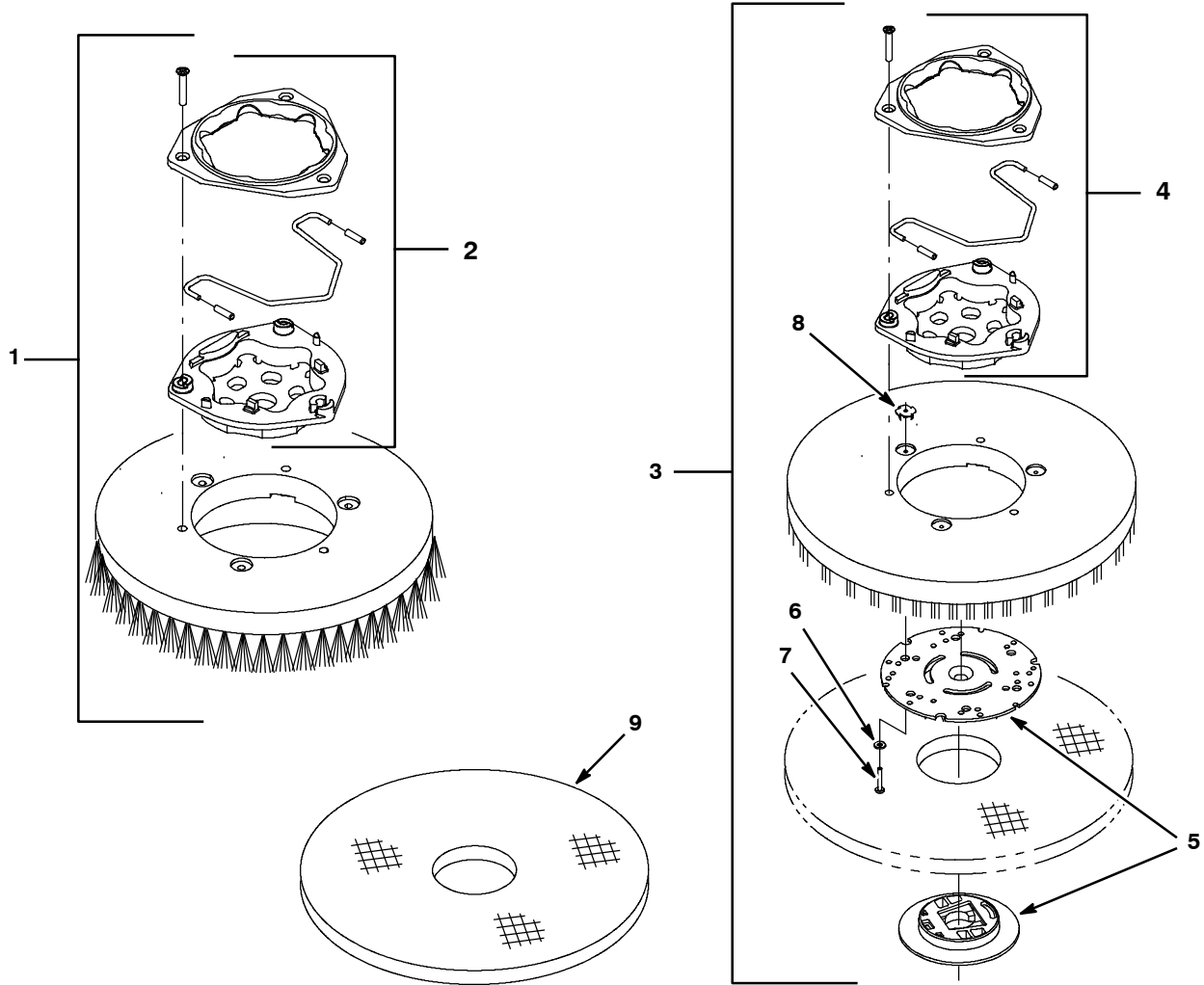


**STANDARD PARTS****REPLACEMENT BRUSHES, CYLINDRICAL**

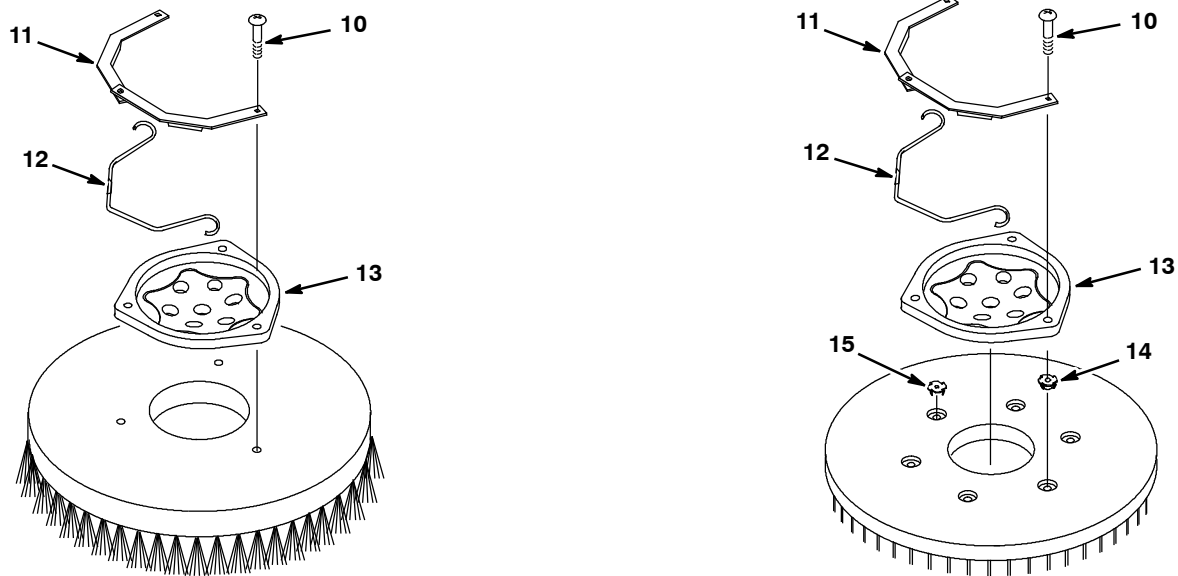
<b>Ref.</b>	<b>Part No.</b>	<b>Serial Number</b>	<b>Description</b>	<b>Qty.</b>
1	399251	(00000000-	) Brush, Scb, 26l, 18 Sr, Nyl (Soft Nylon)	2
1	399252	(00000000-	) Brush, Scb, Cyl, 26.0l, Poly (Medium Polypropylene)	2
1	399253	(00000000-	) Brush, Scb, Cyl, 26.0l, Hd Poly (Stiff Polypropylene)	2
1	399254	(00000000-	) Brush, Scb, Cyl, 26.0l, Abr (Abrasive)	2
1	1060864	(00000000-	) Brush, Scb, 26l, 18sr, Abr, Spl (Abrasive- Light Duty)	2
1	222308	(00000000-	) Brush, Scb, 32l, 18 Sr, Nyl, Spl (Soft Nylon)	2
1	374042	(00000000-	) Brush, Scb, 32l, 18 Sr, Pyp, Spl (Medium Polypropylene)	2
1	222307	(00000000-	) Brush, Scb, 32l, 18 Sr, Pyp Grout, Spl (Stiff Polypropylene)	2
1	222309	(00000000-	) Brush, Scb, 32l, 18 Sr, Abr, Spl (Abrasive)	2
1	1062078	(00000000-	) Brush, Scb, 32l, 18sr, Abr, Spl (Abrasive- Light Duty)	2

# STANDARD PARTS

## REPLACEMENT BRUSHES AND PAD DRIVERS



### Previous Brush & Pad Driver Parts

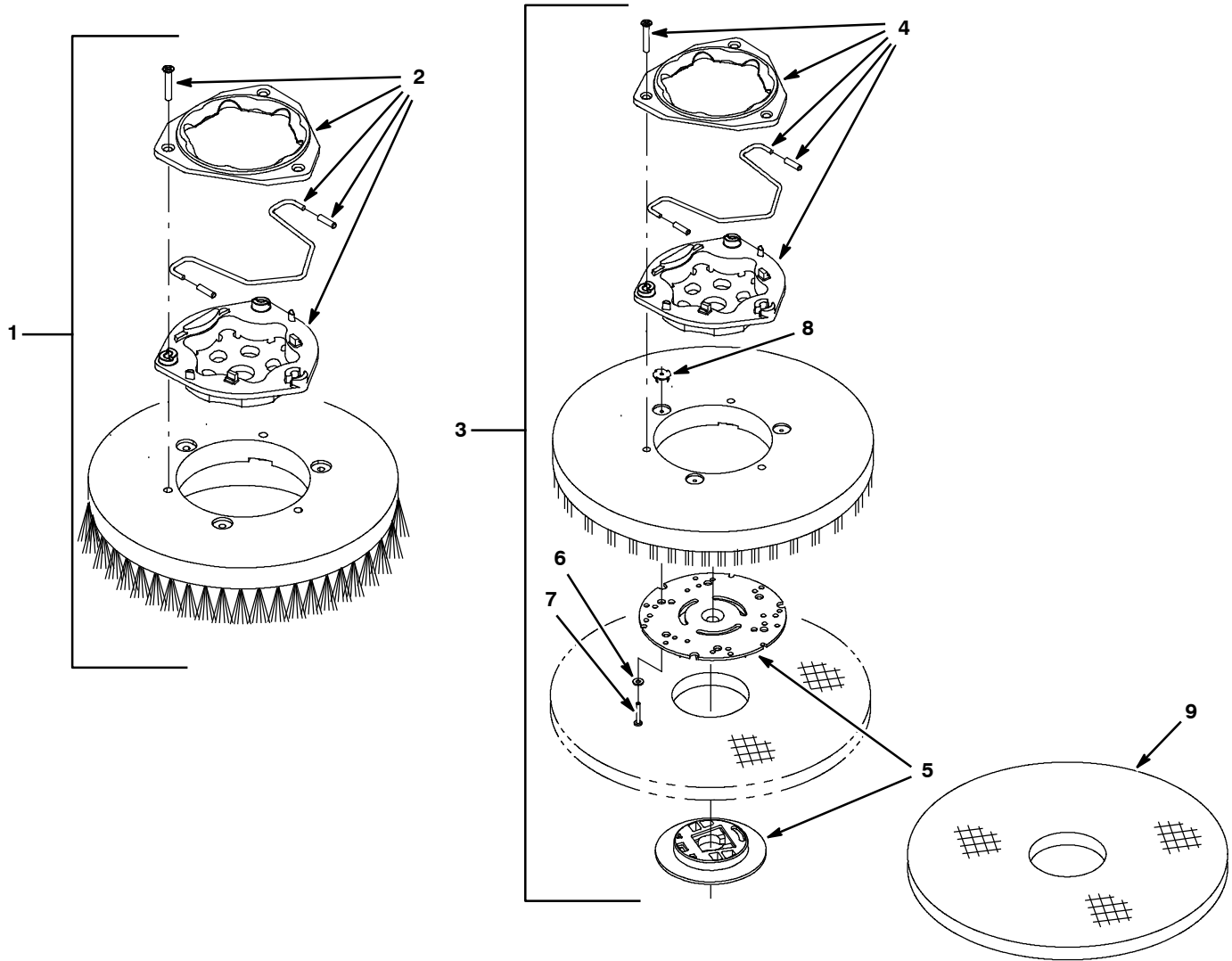


**STANDARD PARTS****REPLACEMENT BRUSHES AND PAD DRIVERS**

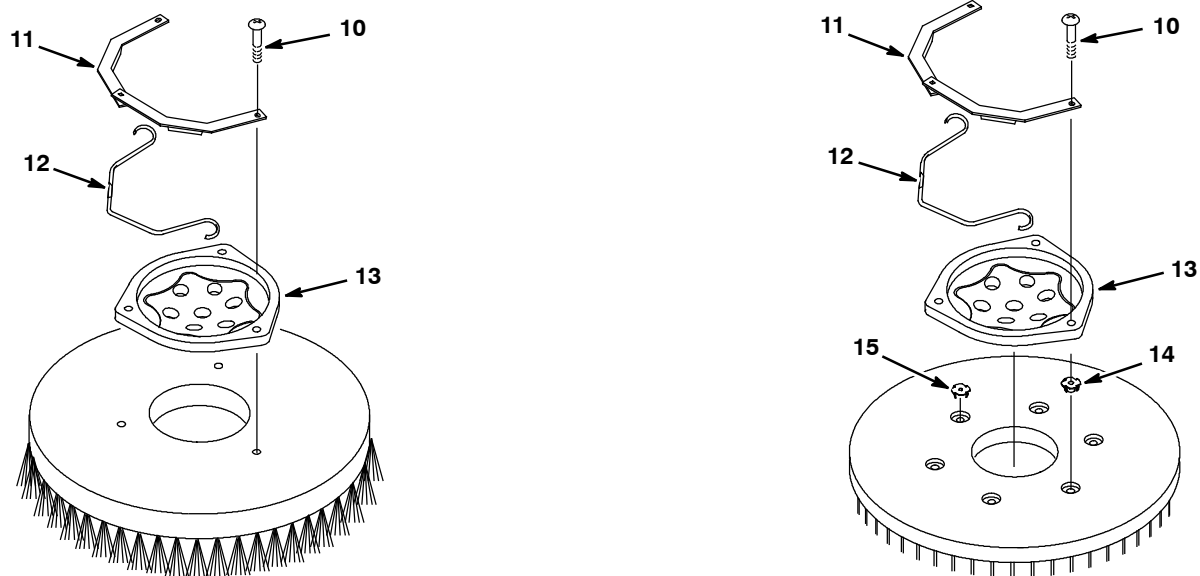
Ref.	Part No.	Serial Number	Description	Qty.
▽	1	1220203	(00000000- ) Brush Assy, Disk, Scb, 12.0d, Nyl (Soft Nylon)	2
▽	1	1220204	(00000000- ) Brush Assy, Disk, Scb, 12.0d, Pyp (Med Polypropylene)	2
▽	1	1220205	(00000000- ) Brush Assy, Disk, Scb, 12.0d, Sab (Super Abrasive)	2
▽	1	1221541	(00000000- ) Brush Assy, Disk, Scb, 14.0d, Nyl (Soft Nylon)	2
▽	1	1220218	(00000000- ) Brush Assy, Disk, Scb, 14.0d, Pyp (Med Polypropylene)	2
▽	1	1220217	(00000000- ) Brush Assy, Disk, Scb, 14.0d, Sab (Super Abrasive)	2
▽	1	1220215	(00000000- ) Brush Assy, Disk, Scb, 16.0d, Nyl (Soft Nylon)	2
▽	1	1220216	(00000000- ) Brush Assy, Disk, Scb, 16.0d, Pyp (Med Polypropylene)	2
▽	1	1220214	(00000000- ) Brush Assy, Disk, Scb, 16.0d, Sab (Super Abrasive)	2
▲	2	9014667	(00000000- ) Brush Kit, Hub Assy, Drive Ci [Comm]	1
▽	3	1220219	(00000000- ) Driver Assy, Pad, 12.0d, Brush	2
▽	3	1220221	(00000000- ) Driver Assy, Pad, 14.0d, Brush	2
▽	3	1220222	(00000000- ) Driver Assy, Pad, 16.0d, Brush	2
▲	4	9014667	(00000000- ) Brush Kit, Hub Assy, Drive Ci [Comm]	2
▲	5	370095	(00000000- ) Device, Centering, Clip- On, Teal, Gf Pp	1
▲	6	41579	(00000000- ) Washer, Flat, #8, Ss	3
▲	7	04403	(00000000- ) Screw, Pan, M4 X 0.7 X 25, Ss, NI	3
▲	8	10908	(00000000- ) Nut, T, M4 X 0.7	3
	9	385940	(00000000- ) Pad, Polish, 12.0d, White [1pad=1pc] (Polishing)	2
	9	385941	(00000000- ) Pad, Buff, 12.0d, Red [1pad=1pc] (Light Scrub & Buff)	2
	9	385942	(00000000- ) Pad, Scb, 12.0d, Blu [1pick = 1 Pad] (Blue) (Med Scrub)	2
	9	385943	(00000000- ) Pad, Stripping, 12.0d, Brown [1pad=1pc] (Scrub/Strip)	2
	9	1051020	(00000000- ) Pad, Surf Prep, 12.0d [Mar, 1pick=1pad] (Maroon- Prep)	2
	9	222324	(00000000- ) Pad, Polish, 14.0d, White [1pad=1pc] (Polishing)	2
	9	222325	(00000000- ) Pad, Buff, 14.0d, Red (Light Scrub & Buff)	2
	9	222326	(00000000- ) Pad, Scb, 14.0d, Blu [1pad=1pc] (Blue) (Med Scrub)	2
	9	222327	(00000000- ) Pad, Stripping, 14.0d, Brown [1pad=1pc] (Scrub/Strip)	2
	9	1051026	(00000000- ) Pad, Surf Prep, 14.0d [Mar, 1pick=1pad] (Maroon- Prep)	2
	9	63248- 4	(00000000- ) Pad, Polish, 16.0d, White [1pad=1pc] (Polishing)	2
	9	63248- 3	(00000000- ) Pad, Buff, 16.0d, Red (Light Scrub & Buff)	2
	9	63248- 2	(00000000- ) Pad, Scb, 16.0d, Blu [1pad=1pc] (Blue) (Med Scrub)	2
	9	63248- 1	(00000000- ) Pad, Stripping, 16.0d, Brown [1pad=1pc] (Scrub/Strip)	2
	9	1051027	(00000000- ) Pad, Surf Prep, 16.0d [Mar, 1pick=1pad] (Maroon- Prep)	2
<b>PREVIOUS BRUSH AND PAD DRIVER PARTS</b>				
	10	32747	(00000000- ) Screw, Pan, M6 X 1.0 X 40, Ss	3
	11	21852	(00000000- ) Bracket, Retainer, Spring	2
	12	21853	(00000000- ) Spring, Wir, 0.16d, Brush Retaining (12" Brush)	1
	12	1028905	(00000000- ) Spring, Wir, 0.16d, Brush Retaining,(14" & 16" Brush)	1
	13	1017112	(00000000- ) Hub, Drive, Brush, Disk, 3hole 5.8bc	1
	14	05709	(00000000- ) Nut, T, M6 X 1.00	3
	15	10908	(00000000- ) Nut, T, M4 X 0.7	3
		1025094	(00000000- ) Brush Assy, Disk, Scb, 11.90d, Nyl (Repld By 1220203)	2
		1025095	(00000000- ) Brush Assy, Disk, Scb, 11.90d, Pyp (Repld By 1220204)	2
		1025096	(00000000- ) Brush Assy, Disk, Scb, 11.9d, Sab (Repld By 1220205)	2
		399246	(00000000- ) Brush, Disk, Scr, 13.90d, Assy, Nyl (Repld By 1221541)	2
		399247	(00000000- ) Brush, Disk, Scr, 13.90d, Assy, Pyp (Repld By 1220218)	2
		399245	(00000000- ) Brush, Disk, Scr, 13.90d, Assy, Sab (Repld By 1220217)	2
		399243	(00000000- ) Brush, Disk, Scr, 15.9d, Assy, Nyl (Repld By 1220215)	2
		399244	(00000000- ) Brush, Disk, Scr, 15.9d, Assy, Pyp (Repld By 1220216)	2
		399242	(00000000- ) Brush, Disk, Scr, 15.9d, Assy, Sab (Repld By 1220214)	2
		385944	(00000000- ) Driver Assy, Pad, 12.0d, Brush (Repld By 1220219)	2
		399249	(00000000- ) Driver Assy, Pad, 14.0d, Brush (Repld By 1220221)	2
		399250	(00000000- ) Driver Assy, Pad, 16.0d, Brush (Repld By 1220222)	2

# STANDARD PARTS

## REPLACEMENT BRUSHES AND PAD DRIVERS (JAPAN)



### Previous Brush & Pad Driver Parts



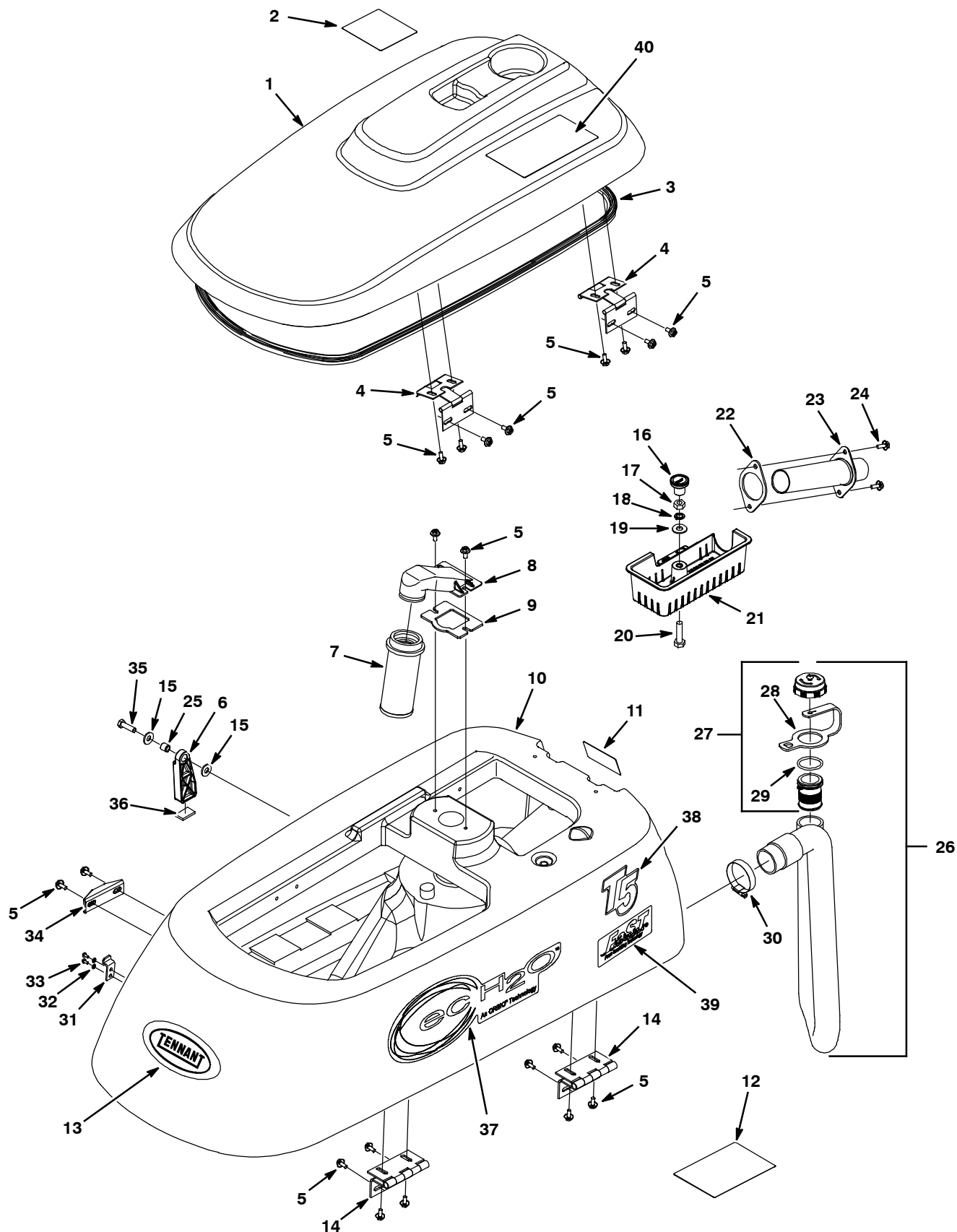


**STANDARD PARTS****REPLACEMENT BRUSHES AND PAD DRIVERS (JAPAN)**

Ref.	Part No.	Serial Number	Description	Qty.
∇	1	1220203	(00000000- ) Brush Assy, Disk, Scb, 12.0d, Nyl (Soft Nylon)	2
∇	1	1220204	(00000000- ) Brush Assy, Disk, Scb, 12.0d, Pyp (Med Polypropylene)	2
∇	1	1220205	(00000000- ) Brush Assy, Disk, Scb, 12.0d, Sab (Super Abrasive)	2
∇	1	1221541	(00000000- ) Brush Assy, Disk, Scb, 14.0d, Nyl (Soft Nylon)	2
∇	1	1220218	(00000000- ) Brush Assy, Disk, Scb, 14.0d, Pyp (Med Polypropylene)	2
∇	1	1220217	(00000000- ) Brush Assy, Disk, Scb, 14.0d, Sab (Super Abrasive)	2
∇	1	1220215	(00000000- ) Brush Assy, Disk, Scb, 16.0d, Nyl (Soft Nylon)	2
∇	1	1220216	(00000000- ) Brush Assy, Disk, Scb, 16.0d, Pyp (Med Polypropylene)	2
∇	1	1220214	(00000000- ) Brush Assy, Disk, Scb, 16.0d, Sab (Super Abrasive)	2
▲	2	9014667	(00000000- ) Brush Kit, Hub Assy, Drive Ci [Comm]	1
∇	3	1220219	(00000000- ) Driver Assy, Pad, 12.0d, Brush	2
∇	3	1220221	(00000000- ) Driver Assy, Pad, 14.0d, Brush	2
∇	3	1220222	(00000000- ) Driver Assy, Pad, 16.0d, Brush	2
▲	4	9014667	(00000000- ) Brush Kit, Hub Assy, Drive Ci [Comm]	2
▲	5	370095	(00000000- ) Device, Centering, Clip- On, Teal, Gf Pp	1
▲	6	41579	(00000000- ) Washer, Flat, #8, Ss	3
▲	7	04403	(00000000- ) Screw, Pan, M4 X 0.7 X 25, Ss, NI	3
▲	8	10908	(00000000- ) Nut, T, M4 X 0.7	3
	9	989977	(00000000- ) Pad, 12.00, Sapphire [5pc]	2
	9	989813	(00000000- ) Pad, Stripping, 12inch, Blk [5pc]	2
	9	989973	(00000000- ) Pad, 12.0, Brown [5pc] (Scrub & Strip)	2
	9	989974	(00000000- ) Pad, 12.0, Blu [5pc] (Blue) (Med Scrub)	2
	9	989975	(00000000- ) Pad, 12.0, Red [5pc] (Light Scrub & Buff)	2
	9	989909	(00000000- ) Jumbo Tan 12"	2
	9	989980	(00000000- ) Pad, 12.0, White [5pc] (Polish)	2
	9	630660	(00000000- ) Pad, 14.0 [Sapphire, Case Of 5]	2
	9	630653	(00000000- ) Pad, 14.0, Brown [Case Of 5] (Scrub & Strip)	2
	9	630654	(00000000- ) Pad, 14.0, Blu [Case Of 5] (Blue) (Med Scrubbing)	2
	9	630655	(00000000- ) Pad, 14.0, Red [Case Of 5] (Light Scrub & Buff)	2
	9	989806	(00000000- ) Jumbo Tan 14"	2
	9	989981	(00000000- ) Pad, 14.0, White [5pc] (Polish)	2
	9	630642	(00000000- ) Pad, Stripping, 16.0[Sapphire,Case Of 5]	2
	9	989814	(00000000- ) Pad, Stripping, 16inch, Blk	2
	9	630643	(00000000- ) Pad, 16.0, Brown [Case Of 5] (Scrub & Strip)	2
	9	630644	(00000000- ) Pad, 16.0, Blu [Case Of 5] (Blue) (Med Scrub)	2
	9	630645	(00000000- ) Pad, 16.0, Red [Case Of 5] (Light Scrub & Buff)	2
	9	989807	(00000000- ) Jumbo Tan 16"	2
	9	989907	(00000000- ) Pad, 16.0, White [5pc] (Polishing)	2
<b>PREVIOUS BRUSH AND PAD DRIVER PARTS</b>				
	10	32747	(00000000- ) Screw, Pan, M6 X 1.0 X 40, Ss	3
	11	21852	(00000000- ) Bracket, Retainer, Spring	2
	12	21853	(00000000- ) Spring, Wir, 0.16d, Brush Retaining (12" Brush)	1
	12	1028905	(00000000- ) Spring, Wir, 0.16d, Brush Retaining (14" & 16" Brush)	1
	13	1017112	(00000000- ) Hub, Drive, Brush, Disk, 3hole 5.8bc	1
	14	05709	(00000000- ) Nut, T, M6 X 1.00	3
	15	10908	(00000000- ) Nut, T, M4 X 0.7	3
		1025094	(00000000- ) Brush Assy, Disk, Scb, 11.90d, Nyl (Repld By 1220203)	2
		1025095	(00000000- ) Brush Assy, Disk, Scb, 11.90d, Pyp (Repld By 1220204)	2
		1025096	(00000000- ) Brush Assy, Disk, Scb, 11.90d, Sab (Repld By 1220205)	2
		399246	(00000000- ) Brush, Disk, Scr, 13.90d, Assy, Nyl (Repld By 1221541)	2
		399247	(00000000- ) Brush, Disk, Scr, 13.90d, Assy, Pyp (Repld By 1220218)	2
		399245	(00000000- ) Brush, Disk, Scr, 13.90d, Assy, Sab (Repld By 1220217)	2
		399243	(00000000- ) Brush, Disk, Scr, 15.9d, Assy, Nyl (Repld By 1220215)	2
		399244	(00000000- ) Brush, Disk, Scr, 15.9d, Assy, Pyp (Repld By 1220216)	2
		399242	(00000000- ) Brush, Disk, Scr, 15.9d, Assy, Sab (Repld By 1220214)	2
		385944	(00000000- ) Driver Assy, Pad, 12.0d, Brush (Repld By 1220219)	2
		399249	(00000000- ) Driver Assy, Pad, 14.0d, Brush (Repld By 1220221)	2
		399250	(00000000- ) Driver Assy, Pad, 16.0d, Brush (Repld By 1220222)	2

# STANDARD PARTS

## RECOVERY TANK GROUP



**STANDARD PARTS****RECOVERY TANK GROUP**

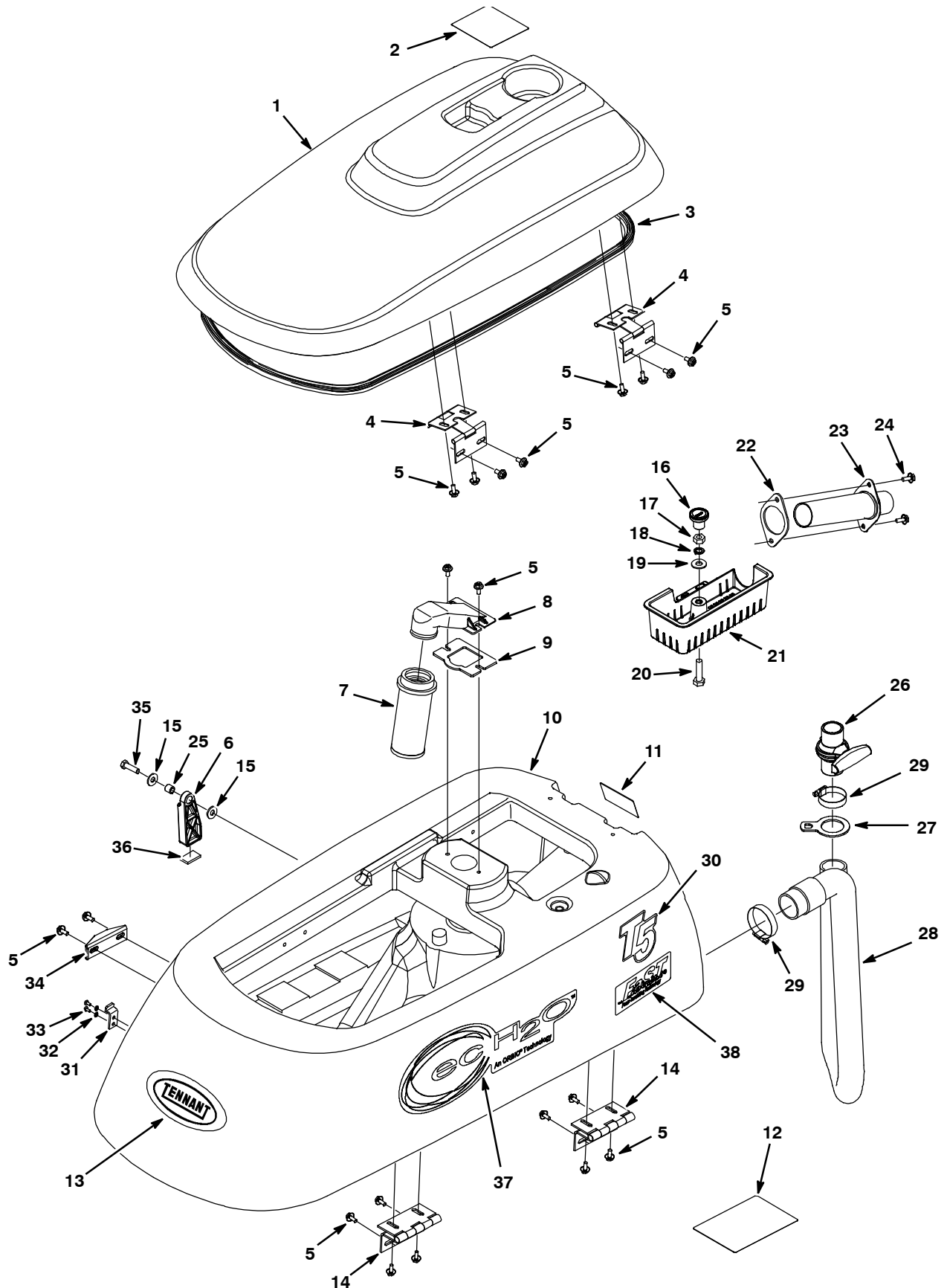
Ref.	Part No.	Serial Number	Description	Qty.
▽	1	9002563	(00000000- ) Kit, Cover, Recovery Tank (Na)	1
▲	2	1026387	(00000000- ) Label, Warn,4x4dc Scrb/Extr/Brn En/Fr/Es	1
▲	3	1042937	(00000000- ) Gasket, Snap- In, Dual- Durometer [T5]	1
	4	1021246	(00000000- ) Hinge, 6.0 Pin, 2.5 Thk,73.5 W, 3 Leaf	2
	5	1034731	(00000000- ) Screw, Hex, M6 X 1.00 X 16, Sems, Ss	20
	6	1022399	(00000000- ) Support, Tank, Prop, Blk, Ny	1
	7	630052	(00000000- ) Float, Shut- Off, (2)Ball, 1.75d	1
	8	1011777	(00000000- ) Mount, Float, Molded	1
	9	1013628	(00000000- ) Gasket, Mtg, Float	1
▽	10	9002564	(00000000- ) Kit, Tank, Recovery (Teal)	1
▽	10	9002714	(00000000- ) Kit, Tank, Recovery Hg (Gray)	1
▲	11	391451	(00000000- ) Label, Attention Fast Users (Fast Model)	1
▲	11	1050003	(10378380- ) Label, User, Attention, Ec- H2o (ec- H2O Model)	1
▲	12	1024800	(00000000- ) Label, Instr, Battery	1
▲	13	1047746	(00000000- ) Label, Logo, 06.9l, White, [Tennant] (Teal)	1
▲	13	1047747	(00000000- ) Label, Logo, 06.9l, White, Hg, [Tennant] (Gray)	1
	14	1022380	(00000000- ) Hinge, 7mmpin 3mmthk 73.5mmw 100mml	2
	15	140027	(00000000- ) Washer, Flat, 0.35b 0.75d .04, Ss	2
	16	1024179	(00000000- ) Knob, Knurled, M10 Thread	1
	17	07787	(00000000- ) Nut, Hex, Std, M10 X 1.5, Ss	1
	18	140333	(00000000- ) Washer M10 Spltlick Ss	1
	19	01686	(00000000- ) Washer, Flat, 0.44b 1.00 .08, Ss	1
	20	05720	(00000000- ) Screw, Hex, M10 X 1.5 X 40, Ss, Fl	1
	21	1025349	(00000000- ) Tray, Debris	1
	22	1024602	(00000000- ) Gasket, Adaptor, Hose	1
	23	1021214	(00000000- ) Tube, Hose, Adapter, 1.5d	1
	24	1034731	(00000000- ) Screw, Hex, M6 X 1.00 X 16, Sems, Ss	2
	25	222460	(00000000- ) Sleeve, P/M, 0.496d 0.318b 0.50l 430ss	1
▽	26	1043538	(00000000- ) Hose Assy, Drain, 1.50id X 29.5l, Blk	1
▲▽	27	1008639	(00000000- ) Cap, Drain Assy	1
▲▲	28	1019563	(00000000- ) Strap, Drain Cap	1
▲▲	29	1008637	(00000000- ) O Ring, 1.48" Id, 1.76" Od	1
	30	11531	(00000000- ) Clamp, Hose, Wormdrive, 1.06- 2.00d, .56w	1
	31	49800	(00000000- ) Latch	1
	32	02938	(00000000- ) Washer, Lock, Int, 08 Ss	2
	33	391403	(00000000- ) Screw, Pan, M4 X 0.7 X 8, Ss	2
	34	1061143	(00000000- ) Bracket, Guide, Recvy Tank, [T5, Ss5]	1
	35	1039118	(00000000- ) Screw, Btn, M8 X 1.25 X 30, Blk	1
	36	1032763	(00000000- ) Gasket, Stand, Support	1
	37	1216520	(10742213- ) Label, Logo [Ech2o Nano]	2
	37	1062813	(00000000- 10742212 ) Label, Logo, 12.3l 4color [Ec- H2o]	2
	38	1024779	(00000000- ) Label, Side [T5]	2
	39	1062814	(00000000- ) Label, Logo, 06.1l White / TI [Fast]	2
	40	1217056	(10742213- ) Label, Instr [Ec- H20 Nc]	1
	40	1071570	(00000000- 10742212 ) Label, Instr, Ec- H2o, 4.0x6.50	1

▽ ASSEMBLY

▲ INCLUDED IN ASSEMBLY

# STANDARD PARTS

## RECOVERY TANK GROUP (JAPAN)



**STANDARD PARTS****RECOVERY TANK GROUP (JAPAN)**

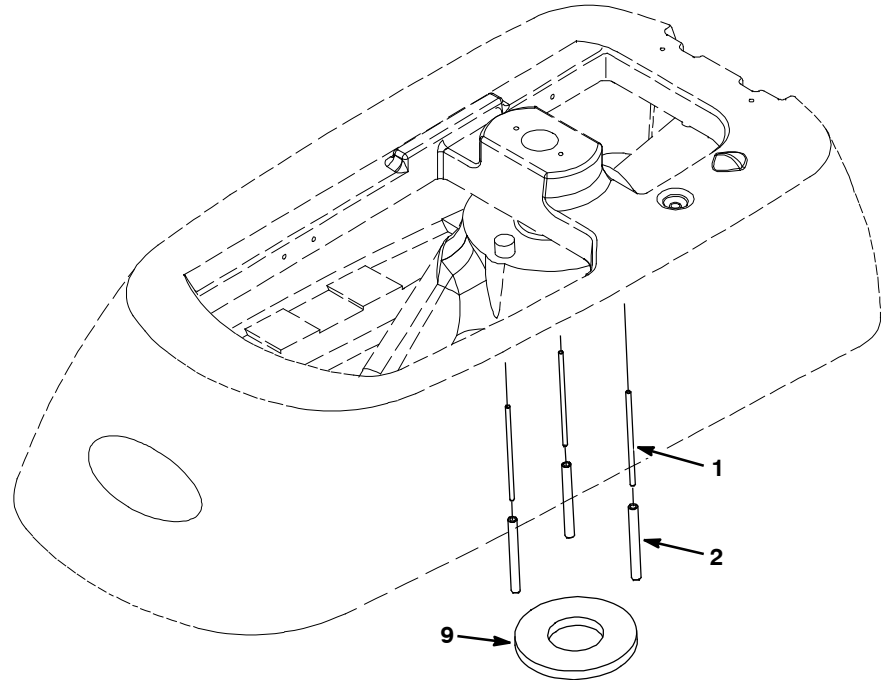
Ref.	Part No.	Serial Number	Description	Qty.
▽	1	9003133	(00000000- ) Cover Assy, Tank, Recvy [Japan]	1
▲	2	1016753	(00000000- ) Label, Warning, 4 X 3, Tj [Dcwb]	1
▲	3	1042937	(00000000- ) Gasket, Snap- In, Dual- Durometer [T5]	1
	4	1021246	(00000000- ) Hinge, 6.0 Pin, 2.5 Thk, 73.5 W, 3 Leaf	2
	5	1034731	(00000000- ) Screw, Hex, M6 X 1.00 X 16, Sems, Ss	20
	6	1022399	(00000000- ) Support, Tank, Prop, Blk, Ny	1
	7	630052	(00000000- ) Float, Shut- Off, (2)Ball, 1.75d	1
	8	1011777	(00000000- ) Mount, Float, Molded	1
	9	1013628	(00000000- ) Gasket, Mtg, Float	1
▽	10	9002564	(00000000- ) Kit, Tank, Recovery (Teal)	1
▲	11	391451	(00000000- ) Label, Attention Fast Users (Fast Model)	1
▲	11	1050003	(10378380- ) Label, User, Attention, Ec- H2o (ec- H2O Model)	1
▲	12	1024800	(00000000- ) Label, Instr, Battery	1
▲	13	1047746	(00000000- ) Label, Logo, 06.9l, White, [Tennant] (Teal)	1
	14	1022380	(00000000- ) Hinge, 7mmpin 3mmthk 73.5mmw 100mml	2
	15	140027	(00000000- ) Washer, Flat, 0.35b 0.75d .04, Ss	2
	16	1024179	(00000000- ) Knob, Knurled, M10 Thread	1
	17	07787	(00000000- ) Nut, Hex, Std, M10 X 1.5, Ss	1
	18	140333	(00000000- ) Washer M10 Spltlck Ss	1
	19	01686	(00000000- ) Washer, Flat, 0.44b 1.00 .08, Ss	1
	20	05720	(00000000- ) Screw, Hex, M10 X 1.5 X 40, Ss, Fl	1
	21	1025349	(00000000- ) Tray, Debris	1
	22	1024602	(00000000- ) Gasket, Adaptor, Hose	1
	23	1021214	(00000000- ) Tube, Hose, Adapter, 1.5d	1
	24	1034731	(00000000- ) Screw, Hex, M6 X 1.00 X 16, Sems, Ss	2
	25	222460	(00000000- ) Sleeve, P/M, 0.496d 0.318b 0.50l 430ss	1
	26	1051986	(10581737- ) Valve, Ball, 2way, 1.0id Pvc, W/Handle	1
	27	1051504	(10581737- ) Strap, Hose, Drain	1
	28	1051438	(10581737- ) Hose, Drain, 1.50id X 19.3l, Blk	1
	29	11531	(10581737- ) Clamp, Hose, Wormdrive, 1.06- 2.00d, .56w	2
	30	1024779	(00000000- ) Label, Side [T5]	2
	31	49800	(00000000- ) Latch	1
	32	02938	(00000000- ) Washer, Lock, Int, 08 Ss	2
	33	391403	(00000000- ) Screw, Pan, M4 X 0.7 X 8, Ss	2
	34	1061143	(00000000- ) Bracket, Guide, Recvy Tank, [T5, Ss5]	1
	35	1039118	(00000000- ) Screw, Btn, M8 X 1.25 X 30, Blk	1
	36	1032763	(00000000- ) Gasket, Stand, Support	1
	37	1216520	(10742213- ) Label, Logo [Ech2o Nano]	2
	37	1062813	(00000000- 10742212 ) Label, Logo, 12.3l 4color [Ec- H2o]	2
	38	1062814	(00000000- ) Label, Logo, 06.1l White / TI [Fast]	2

▽ ASSEMBLY

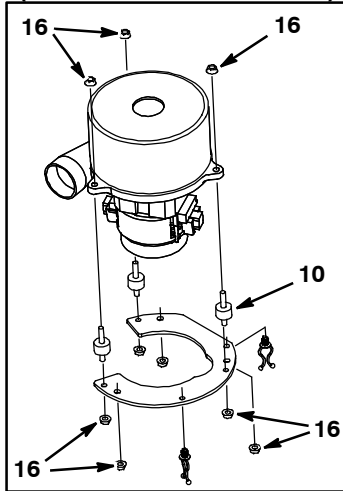
▲ INCLUDED IN ASSEMBLY

# STANDARD PARTS

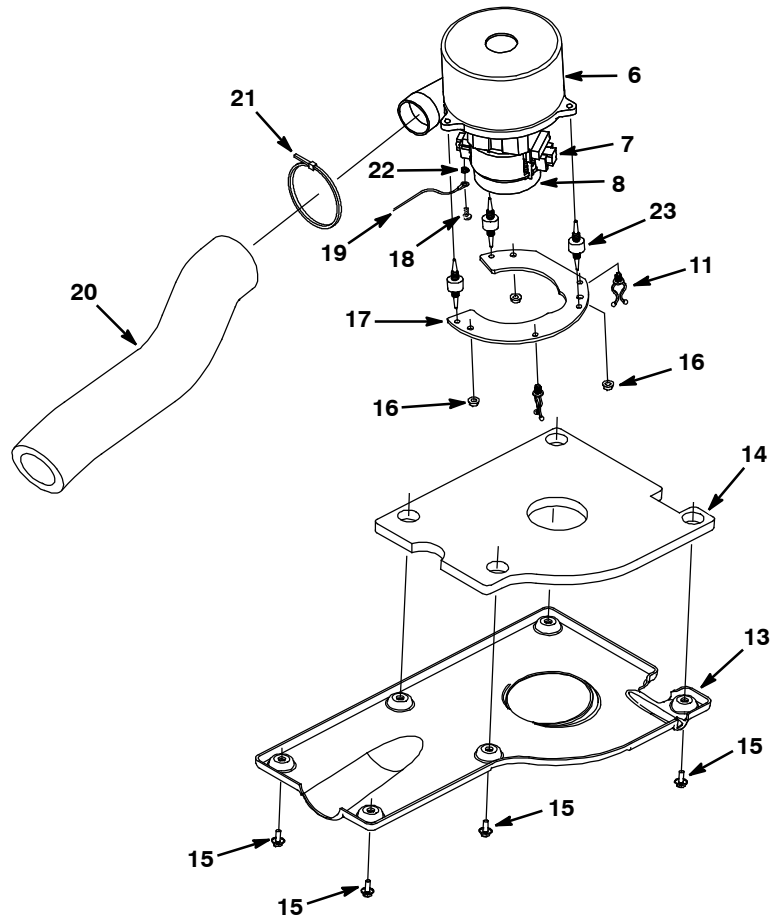
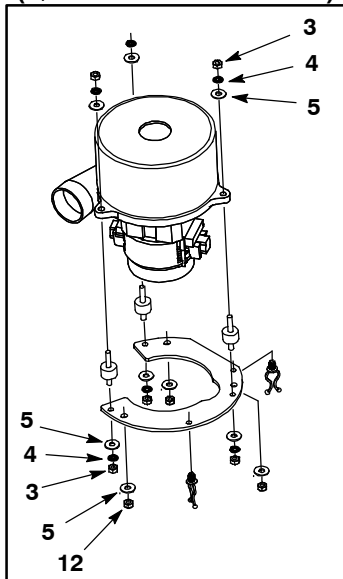
## VACUUM MOTOR GROUP



(S/N 10358065- 10519188)



(S/N 00000000- 10358064)



**STANDARD PARTS****VACUUM MOTOR GROUP**

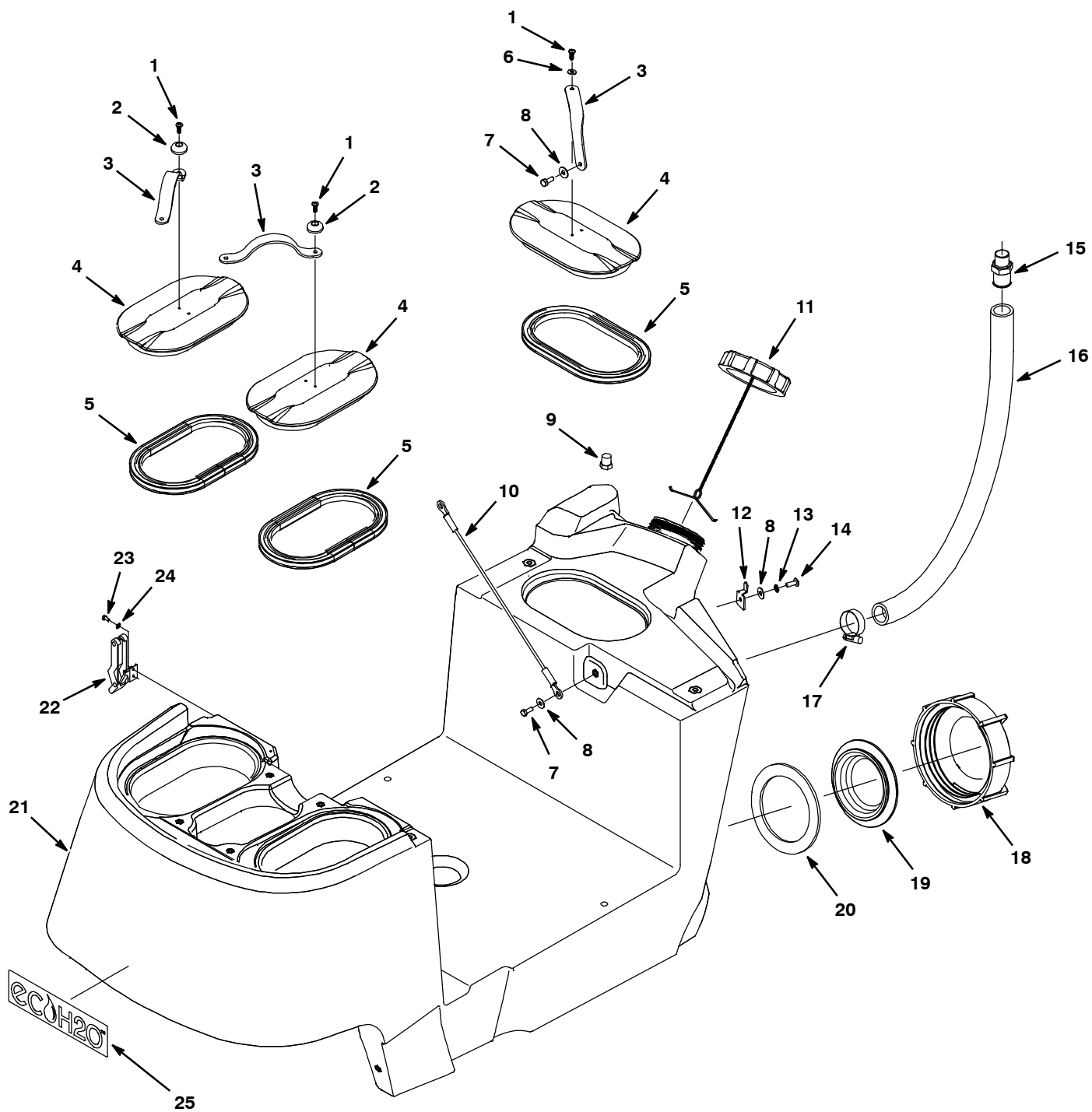
Ref.	Part No.	Serial Number	Description	Qty.	
1	1015412	(00000000-	) Rod, Thrd, Full, M06 X 1.0 05.5l	3	
2	1022406	(00000000-	) Tube, 0.43d 0.28b 04.2l, Stl, Pl	3	
3	07785	(00000000- 10358064	) Nut, Hex, Std, M6 X 1.0, A2, Ss	6	
4	07515	(00000000- 10358064	) Washer, Lock, Int, 0.25 Ss	6	
5	01684	(00000000- 10358064	) Washer, Flat, 0.25 Ss	9	
▽	6	9002562	(00000000-	) Kit, Motor, Vac	1
▲	7	1073334	(00000000-	) Brush, Carbon, Motor, Ele [1pick=1pkg] (1Pkg = 2 Brushes)	1
▲	8	130487	(00000000-	) Housing, Motor, Fan, Vent	1
▲	9	100038	(00000000-	) Gasket, Vacuum Mtr 5.7 Epdm W/Psa	1
10	1011093	(00000000- 10519188	) Isolator, Vib, .75d, M6 Stud Both Ends	3	
11	30406	(00000000-	) Clip, Keeper	3	
12	08712	(00000000- 10358064	) Nut, Hex, Lock, M6 X 1.0, Ss, NI	3	
▽	13	9002565	(00000000-	) Kit, Cover, Vac W/Foam	1
▲	14	1024112	(00000000-	) Pad, Foam, Insulator	1
15	1034731	(00000000-	) Screw, Hex, M6 X 1.00 X 16, Sems, Ss	6	
16	1040381	(10519189-	) Nut, Hex, Flng, M6 X 1.0, Ss [Serrated]	3	
16	1040381	(10358065- 10519188	) Nut, Hex, Flng, M6 X 1.0, Ss [Serrated]	9	
17	1022375	(00000000-	) Bracket, Mtg, Vacuum	1	
18	140897	(00000000-	) Screw, Hex, #10- 32 X 0.25, SI [Ground]	1	
19	1031368	(00000000-	) Wire, 12ga [Esd, Tubular Braid]	1	
20	390677	(00000000-	) Muffler, Exhaust, Vacuum Fan, Long	1	
21	130773	(00000000-	) Tie, Cable, Nyl, 11.0l, .14w, 3.0 Max. D	1	
22	140052	(00000000-	) Washer, Lock, Ext, 0.25 Ss	1	
23	1062016	(10519189-	) Isolator, Vib, .75d	3	

▽ ASSEMBLY

▲ INCLUDED IN ASSEMBLY

# STANDARD PARTS

## SOLUTION TANK GROUP





**STANDARD PARTS****SOLUTION TANK GROUP**

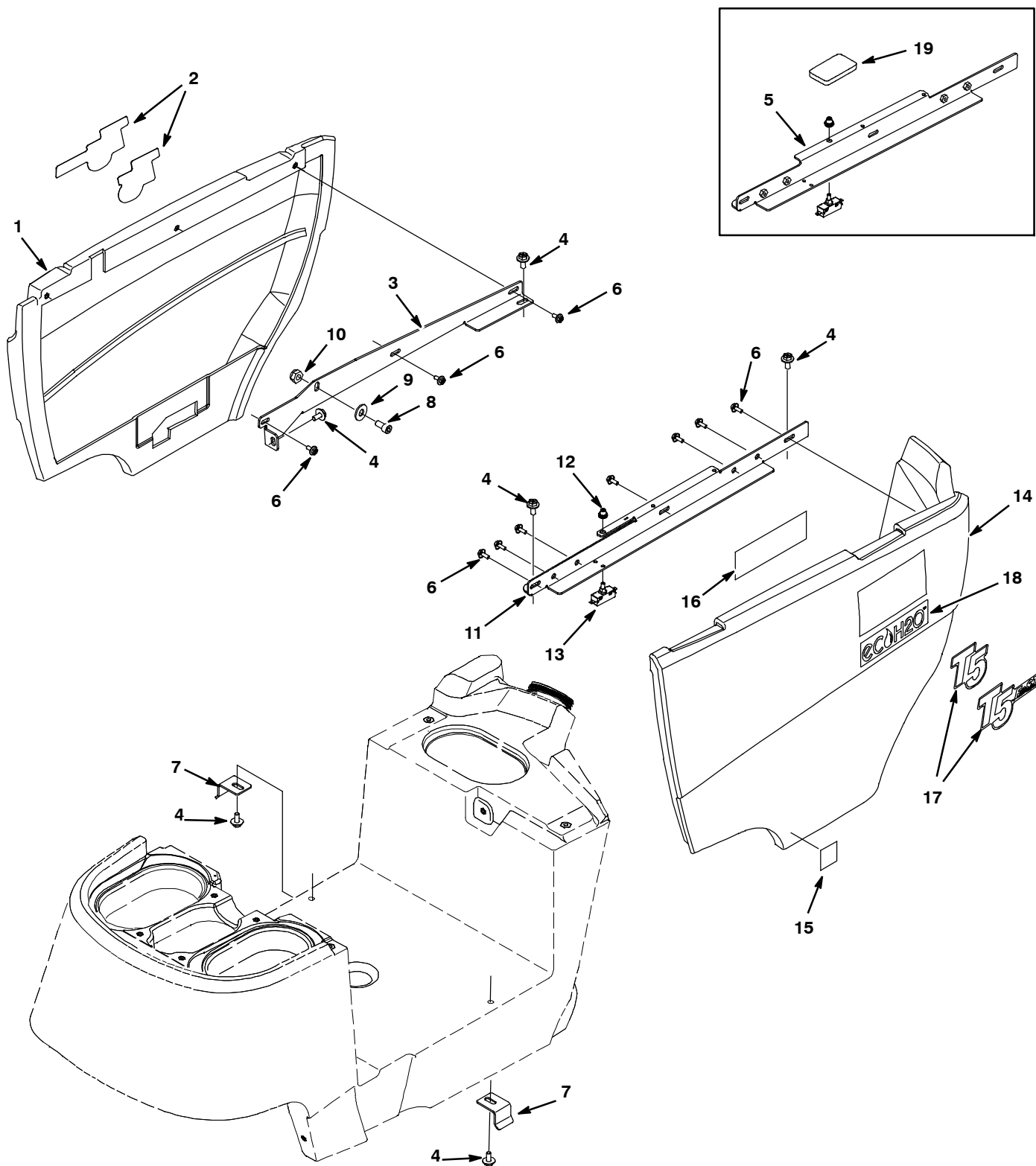
Ref.	Part No.	Serial Number	Description	Qty.	
1	1018155	(00000000-	) Screw, Pan, M5 X 0.8 X16, Ss, Tcut	1	
2	361554	(00000000-	) Bumper, Rbr, 0.90d 0.38th 0.18h	1	
3	1013768	(00000000-	) Strap, Retaining, 20mm X 159mm X 3.2,Blk	3	
▽	4	9002566	(00000000-	) Kit, Cover, Solution Tank Fill	3
▲	5	1024868	(00000000-	) Gasket, Lip, Dual Durometer	3
6	01683	(00000000-	) Washer, Flat, #10 Ss	1	
7	11329	(00000000-	) Screw, Hex, M6 X 1.0 X 16, Ss, NI	13	
8	01684	(00000000-	) Washer, Flat, 0.25 Ss	14	
9	22788	(00000000-	) Fitting, Plstc, Plug, Pm04	1	
10	140960	(00000000-	) Cable, Glv .13d 014.5l .34eye /.34eye	1	
11	1028723	(00000000-	) Cap, Tank, 3.5", Non-Vented	1	
12	601460	(00000000-	) Clip, Hanger, Hose, .25d Hole, Clr Zn	1	
13	07515	(00000000-	) Washer, Lock, Int, 0.25 Ss	1	
14	608322	(00000000-	) Screw, Trs, M6 X 1.0 X 16, Phl, Ss	1	
15	1041082	(00000000-	) Fitting, Plstc, Str, Bm16/Pm12	1	
16	1023809	(00000000-	) Hose, Drain, Soltn Tank	1	
17	11399	(00000000-	) Clamp, Hose, Wormdrive, 0.81- 1.50d, .50w	1	
18	1014001	(00000000-	) Cap, Tank, Drain, Thrđ	1	
19	1014029	(00000000-	) Plug, Cap, Gray	1	
20	375206	(00000000-	) Gasket, Cap, Drain, Rbr .19 4.0b 05.5d.	1	
21	9003655	(00000000-	) Tank Kit, Soltn [T5] (Teal)	1	
21	9003656	(00000000-	) Tank Kit, Soltn, HG [T5] (Gray)	1	
22	49800	(00000000-	) Latch	1	
23	391403	(00000000-	) Screw, Pan, M4 X 0.7 X 8, Ss	2	
24	02938	(00000000-	) Washer, Lock, Int, 08 Ss	2	
25	1050008	(10378380-	) Label, Front, Ec- H2o [T5/T5e] (Teal) (NLA - No Longer Available)	1	
25	1050009	(10378380-	) Label, Front, Ec- H2o [T5 Gray] (NLA - No Longer Available)	1	

▽ ASSEMBLY

▲ INCLUDED IN ASSEMBLY

# STANDARD PARTS

## SIDE PANEL GROUP



**STANDARD PARTS****SIDE PANEL GROUP**

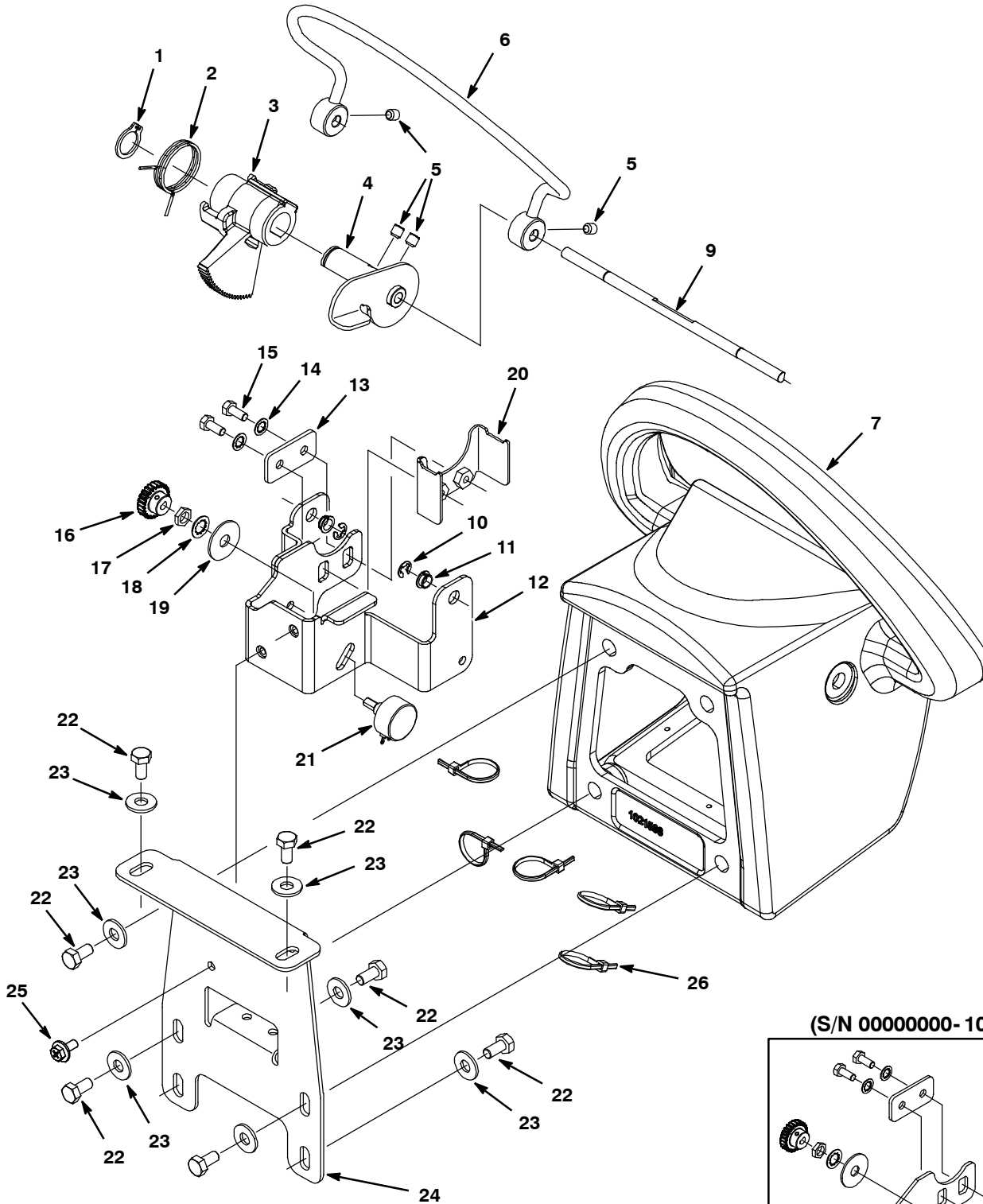
Ref.	Part No.	Serial Number	Description	Qty.
1	9002569	(00000000-	) Kit, Panel, Rh Side (Teal)	1
2	1024779	(00000000-	) Label, Side [T5] (Teal)	1
2	1024780	(00000000-	) Label, Side [T5 Fast] (Teal) (NLA - No Longer Available)	1
1	9002713	(00000000-	) Kit, Panel, Rh Side Hg (Gray)	1
2	1032802	(00000000-	) Label, Side, Gray [T5]	1
2	1032803	(00000000-	) Label, Side, Gray [T5 Fast]	1
3	1021323	(00000000-	) Rail, Side, Rh	1
4	1020341	(00000000-	) Screw, Hex, M8 X 1.25 X 20, Ss, Sems	6
5	1022301	(00000000- 10332238	) Rail, Side, Lh [T5]	1
6	1034731	(00000000-	) Screw, Hex, M6 X 1.00 X 16, Sems, Ss	14
7	1023684	(00000000-	) Bracket, Shroud, Bottom	2
8	607010	(00000000-	) Screw, Soc, M10 X 1.5 X 20, Ss	1
9	01686	(00000000-	) Washer, Flat, 0.44b 1.00 .08, Ss	1
10	08714	(00000000-	) Nut, Hex, Lock, M10 X 1.5, NI, Ss	1
11	1034954	(10332239-	) Rail, Side, Lh [T5]	1
12	1035711	(00000000-	) Boot, Switch, Hex Nut, .38- 32 Thd	1
13	1071996	(00000000-	) Switch, Push, Snap Action, 25a	1
▽	14	9002567	(00000000-) Kit, Panel, Lh Side W/O Charger (Teal)	1
▽	14	9002568	(00000000-) Kit, Panel, Lh Side W/Charger C/O (Teal)	1
▲	15	600624	(00000000-) Label, Parking Brake, Symbol	1
▲	16	1028175	(00000000-) Label, Instr, Charger Setting	1
	17	1024779	(00000000-) Label, Side [T5] (Teal)	1
	17	1024780	(00000000-) Label, Side [T5 Fast] (Teal) (NLA - No Longer Available)	1
	18	1050001	(10378380-) Label, Side, Ec- H2o [T3/T3e/T5/T7 ] (Teal) (NLA - Replaced by 1062813 - see page 16)	2
▽	14	9002711	(00000000-) Kit, Panel, Lh Side Hg W/O Charger (Gray)	1
▽	14	9002712	(00000000-) Kit, Panel, Lh Side Hg W/ Chgr C/O (Gray)	1
▲	15	600624	(00000000-) Label, Parking Brake, Symbol	1
▲	16	1028175	(00000000-) Label, Instr, Charger Setting	1
	17	1032802	(00000000-) Label, Side, Gray [T5]	1
	17	1032803	(00000000-) Label, Side, Gray [T5 Fast]	1
	18	1050002	(10378380-) Label, Side, Ec- H2o [T3/T5/T7 Gray] (NLA - Replaced by 1062813 - see page 16)	2
	19	1032763	(00000000- 10332238 ) Gasket, Stand, Support	1

▽ ASSEMBLY

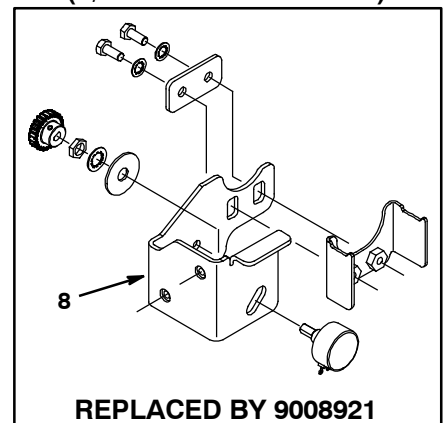
▲ INCLUDED IN ASSEMBLY

# STANDARD PARTS

## CONTROL CONSOLE GROUP



(S/N 0000000- 10548347)



**STANDARD PARTS****CONTROL CONSOLE GROUP**

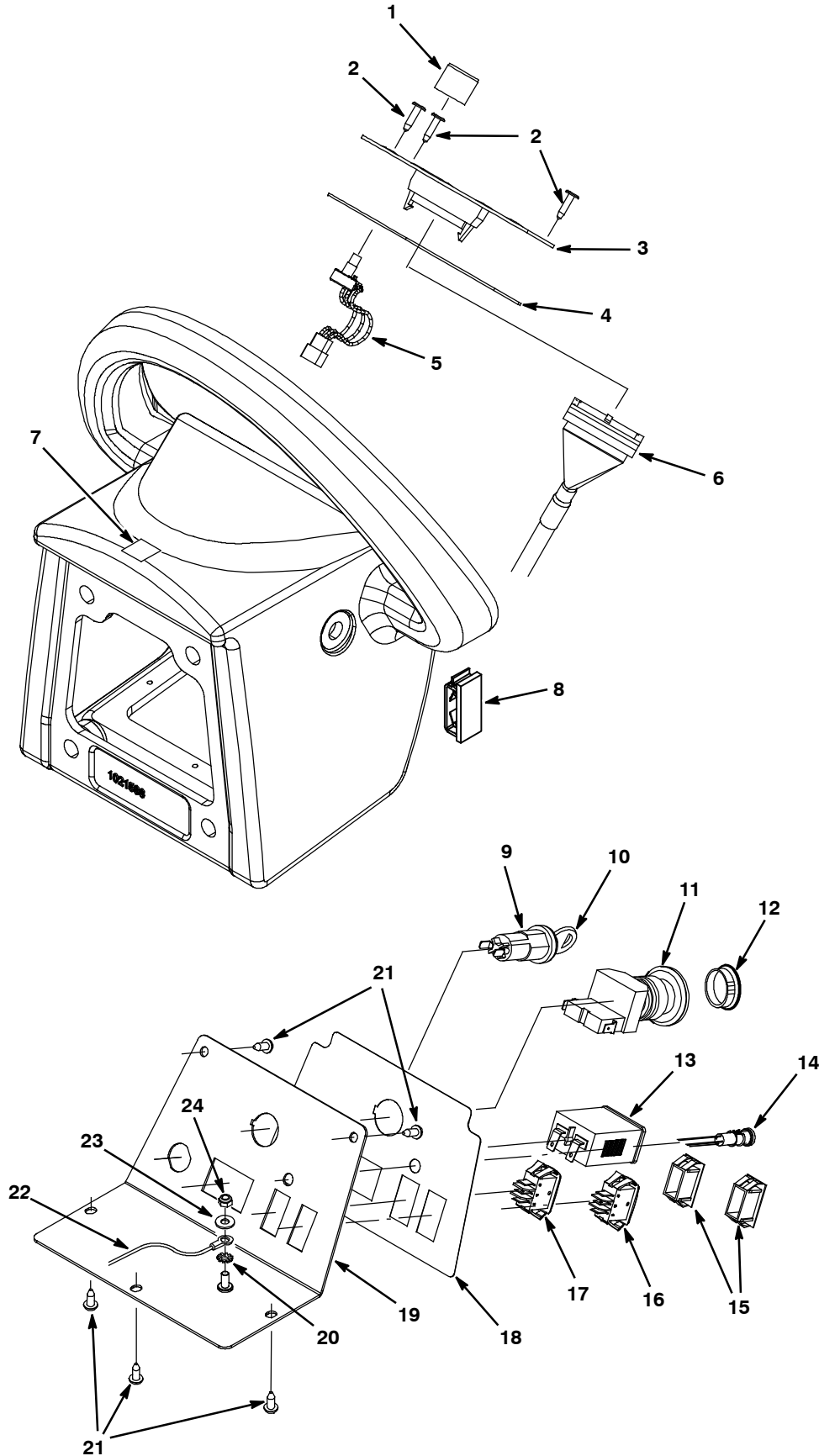
Ref.	Part No.	Serial Number	Description	Qty.	
1	1025121	(00000000-	) Ring, Retaining, Hd Ext 19d Shaft	1	
2	630088	(00000000-	) Spring, Tors, Cntr, .072mw, Zn	1	
3	1021904	(00000000-	) Actuator, Drive, Bail	1	
4	1023869	(00000000-	) Shaft Wldt, Actuator, Bail	1	
5	1015578	(00000000-	) Screw, Set, M8 X 1.25 X 8, Cuppt, Ss, NI	4	
6	1020748	(00000000-	) Lever Wldt, Bail, Console	1	
7	9002787	(00000000-	) Housing Kit, Cntrl [T5] (Note: Before S/N 10548348 Also Order Kit 9008921)	1	
▽	8	9008921	(00000000- 10548347 ) Console Brkt Kit, Replmt [T5]	1	
▲	9	1067080	(00000000-	) Shaft, Actuator, Forward / Reverse, Rev	1
▲	10	1035139	(10548348-	) Ring, Retaining, Ext, 0.31d, E- Type	2
▲	11	1067122	(10548348-	) Spacer, Flanged, Nylon, 8mm Id	2
▲	12	1065445	(10548348-	) Bracket Wldt, Bail [T5]	1
	13	1015826	(00000000-	) Plate, Screw, Bail	1
	14	07515	(00000000-	) Washer, Lock, Int, 0.25 Ss	2
	15	15678	(00000000-	) Screw, Hex, M6 X 1.0 X 16, Ss	2
	16	1020403	(00000000-	) Gear, Spur, 24p, 24t	1
	17	222607	(00000000-	) Nut, Hex, Thin, .38- 32	1
	18	43953	(00000000-	) Washer, Lock, Int, 0.38 Ss	1
	19	32662	(00000000-	) Washer, Flat, 0.38b 1.22d .06, Ss	1
	20	1015570	(00000000-	) Bracket, Spring, Balancer, Bail	1
	21	1021853	(00000000-	) Potentiometer Assy, Throttle	1
	22	49826	(00000000-	) Screw, Hex, M8 X 1.25 X 16, Ss, NI	8
	23	01685	(00000000-	) Washer, Flat, 0.31 Ss	8
	24	1022657	(00000000-	) Bracket, Mtg, Console, T5	1
	25	1034731	(00000000-	) Screw, Hex, M6 X 1.00 X 16, Sems, Ss	2
	26	130773	(00000000-	) Tie, Cable, Nyl, 11.0l, .14w, 3.0 Max. D	5

▽ ASSEMBLY

▲ INCLUDED IN ASSEMBLY

# STANDARD PARTS

## CONTROL CONSOLE GROUP - CONT'D



**STANDARD PARTS****CONTROL CONSOLE GROUP - CONT'D**

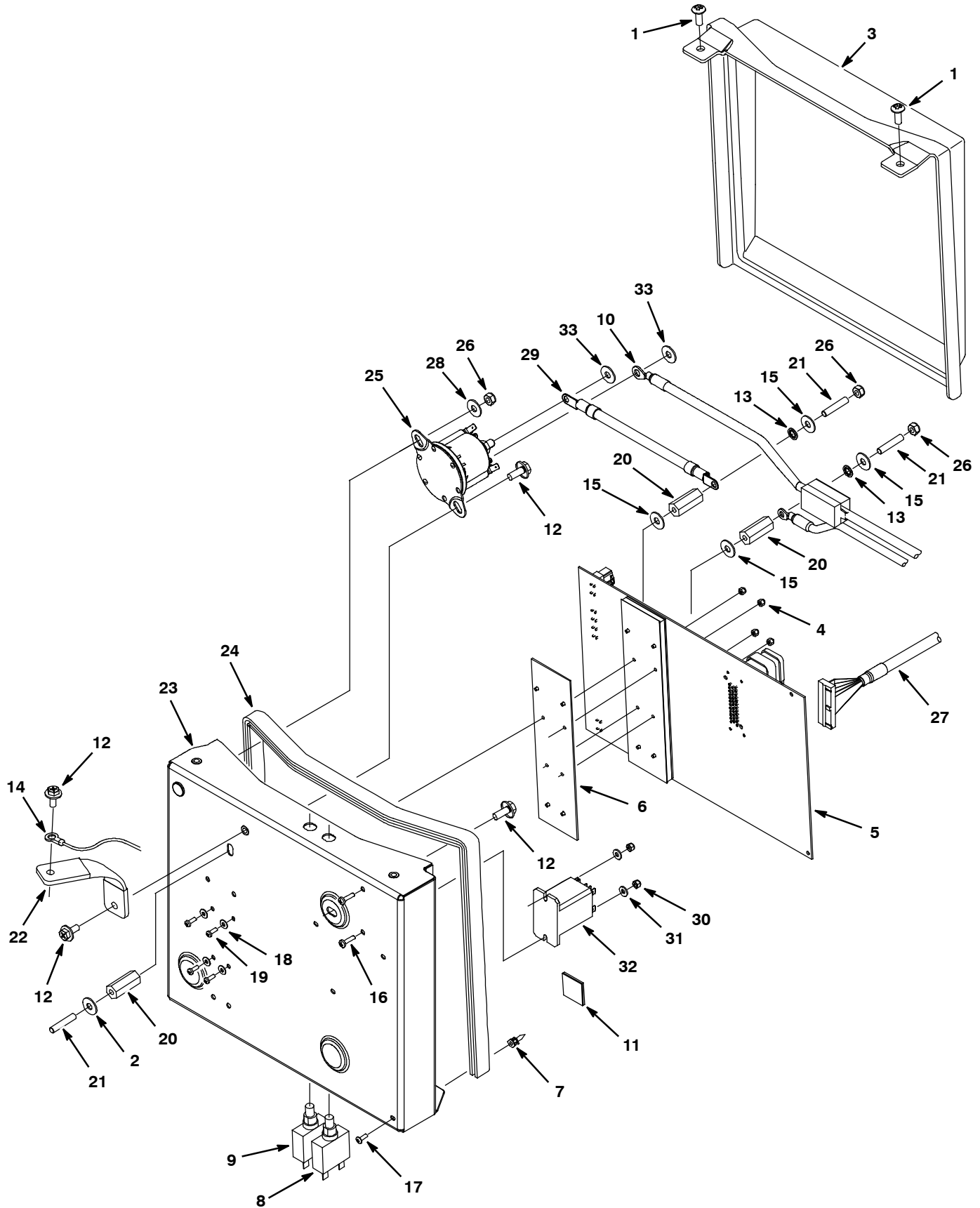
Ref.	Part No.	Serial Number	Description	Qty.	
1	606550	(00000000-	) Knob, Rnd, 0.92d 0.76l 0.25b Plstc	1	
2	72969	(00000000-	) Rivet, Plstc, .181d X 0.720	3	
▽	3	9002570	(00000000-	) Kit, Panel, Upper Instmt	1
▲	4	1023554	(00000000-	) Gasket, Panel, Upper	1
5	1022706	(00000000-	) Potentiometer, Control, 0- 20k Assy	1	
6	1021778	(00000000-	) Cable, Ribbon [T5]	1	
7	1016572	(00000000-	) Label, Dir	1	
8	222666	(00000000- 10548348	) Clamp, Cable, Ribbon, 1.25w 0.25h, Plstc	1	
▽	9	1011402	(00000000-	) Switch, Key	1
▲	10	1017696	(00000000-	) Key, Replmt, Set Of 2 [F/1011402]	1
11	1011735	(10536688-	) Switch, Safety, Shutoff	1	
12	130161	(00000000- 10536687	) Plug, Hole, Rnd, 0.875d, Blk (For Models Before S/N 10536688 w/out E- Stop Switch)	1	
13	1011282	(00000000-	) Gauge, Hourmeter, 12- 60vdc, Analog, Rt., 1	1	
14	1041822	(10378380-	) Light, Led, .312D, 5 Volt [Tri- Color] (ec- H2O Model)	1	
15	582150	(00000000-	) Button, Plug, Accssry Switch	2	
16	130787	(00000000-	) Switch, Rocker, V C A Spdt (Optional Wand)	1	
17	130787	(00000000-	) Switch, Rocker, V C A Spdt (Fast & ec- H2O Models)	1	
18	1023883	(00000000-	) Label, Opertnl, Lower (Standard & Fast Models)	1	
18	1050006	(10378380-	) Label, Console, Lower Ec- H2o [T5]	1	
19	1041619	(00000000-	) Panel, Instmt, Lower Bent [T5]	1	
20	140052	(00000000-	) Washer, Lock, Ext, 0.25 Ss	1	
21	1009324	(00000000-	) Screw, Pan, #10- 16 X 0.50, Phl, Ty- 17 Blk	5	
22	1031368	(00000000-	) Wire, 12ga [Esd, Tubular Braid, T5]	1	
23	01683	(00000000-	) Washer, Flat, #10 Ss	1	
24	09739	(00000000-	) Nut, Hex, Lock, M5 X 0.8, NI, Ss	1	

▽ ASSEMBLY

▲ INCLUDED IN ASSEMBLY

# STANDARD PARTS

## COMPONENT PANEL GROUP (S/N 10632988- )





**STANDARD PARTS****COMPONENT PANEL GROUP (S/N 10632988- )**

Ref.	Part No.	Serial Number	Description	Qty.	
1	608322	(00000000-	) Screw, Trs, M6 X 1.0 X 16, Phl, Ss	2	
2	01684	(00000000-	) Washer, Flat, 0.25 Ss	2	
3	1022820	(00000000-	) Cover, Electronics	1	
4	579211	(00000000-	) Nut, Hex, Lock, M3 X .5, Ss	4	
▽	5	9012721	(00000000-	) Circuitboard Kit, Logic [T5]	1
▲		27964	(00000000-	) Strap, Static Ground, Disposable	1
▲	6	1016816	(00000000-	) Pad, Thermal, Heat Sink	1
▲	7	1016825	(00000000-	) Support, Circuitboard	4
	8	383720	(00000000-	) Circuitbreaker, 05.0a	1
	9	383721	(00000000-	) Circuitbreaker, 10.0a	1
	10	1067443	(10632988-	) Harness, Battery, Fused, Us [T5]	1
	11	55248	(00000000-	) Mount, Cable Tie	3
	12	1034731	(00000000-	) Screw, Hex, M6 X 1.00 X 16, Sems, Ss	4
	13	32982	(10632988-	) Washer, Lock, Int, 0.25	2
	14	1029310	(00000000-	) Harness, Est	1
	15	1057560	(00000000-	) Washer, Flat, M6.4b, X 16d X 1 PI	4
	16	24265	(10306157-	) Screw, Pan, M4 X 0.7 X 16, Ss	2
	17	3701.6	(00000000-	) Screw, Pan, #06- 32 X 0.38, Phl Ss Shtmtl	4
	18	1019218	(00000000-	) Washer, Flat, 0.14b 0.31d, Nyl	4
	19	06922	(00000000-	) Screw, Pan, M3 X 0.5 X 20, 4.8	4
	20	1002078	(00000000-	) Spacer, .50x X 1.25l, M6 Thread	3
	21	1018559	(00000000-	) Screw, Set, M6 X 1.0 X 30, Ss	3
	22	1029051	(00000000-	) Strap, Static, Controller	1
▽	23	9010098	(10632988-	) Housing Kit, Ele [T5 New Relay]	1
▲	24	1008675	(00000000-	) Gasket, Foam, Edge (Fr)	1
	25	1066409	(10632988-	) Relay, 24vdc, 150a, No [Trombetta]	1
	26	41359	(10632988-	) Nut, Hex, Std, M6 X 1.0, 8	3
	27	1021778	(00000000-	) Cable, Ribbon [T5]	1
	28	32490	(10632988-	) Washer, Flat, 0.25, Std	1
	29	1067030	(10632988-	) Cable, Controller, 210mml, Red [T5]	1
	30	33932	(10306157-	) Nut, Hex, Lock, M4 X 0.70, NI, Ss	2
	31	19065	(10306157-	) Washer, Flat, #08	2
	32	1001219	(10306157-	) Relay, 24vdc, Dpdt	1
	33	1066493	(10632988-	) Washer, Flat, 0.35b 0.75d .04, PI	2

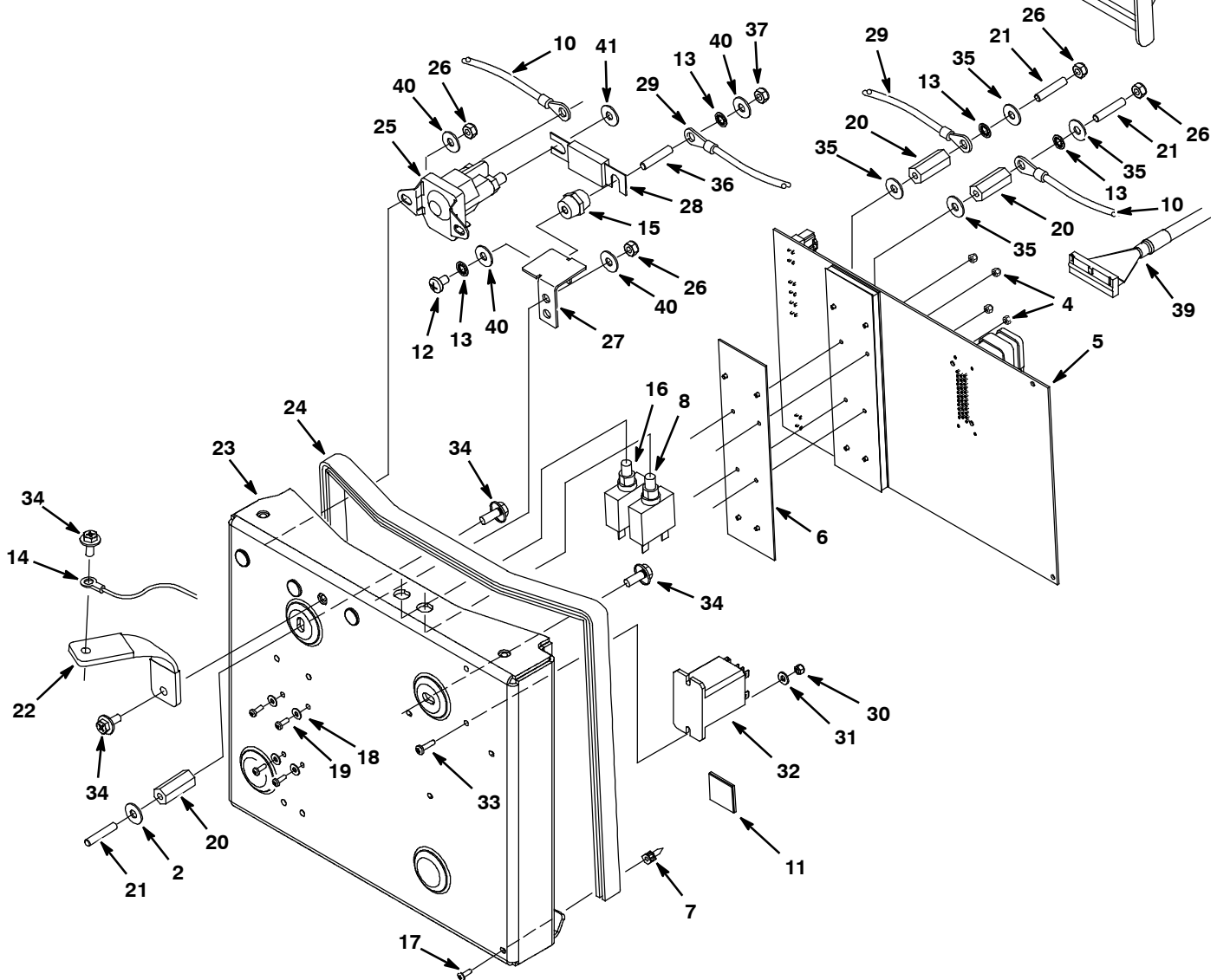
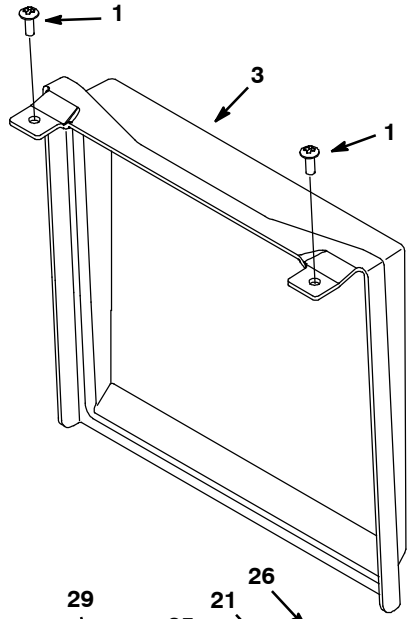
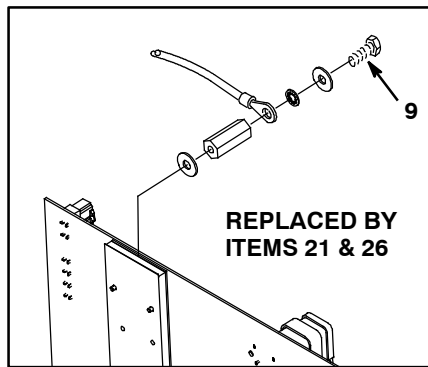
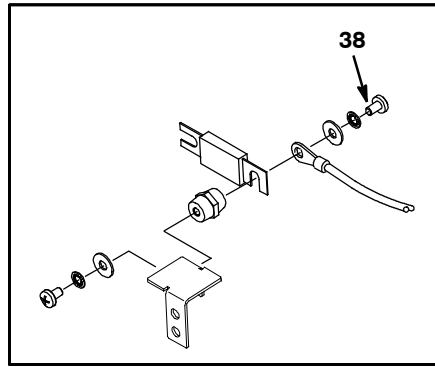
▽ ASSEMBLY

▲ INCLUDED IN ASSEMBLY

# STANDARD PARTS

## COMPONENT PANEL GROUP (S/N 0000000-10632987)

(S/N 00000000-10473939)



**STANDARD PARTS****COMPONENT PANEL GROUP (S/N 00000000- 10632987)**

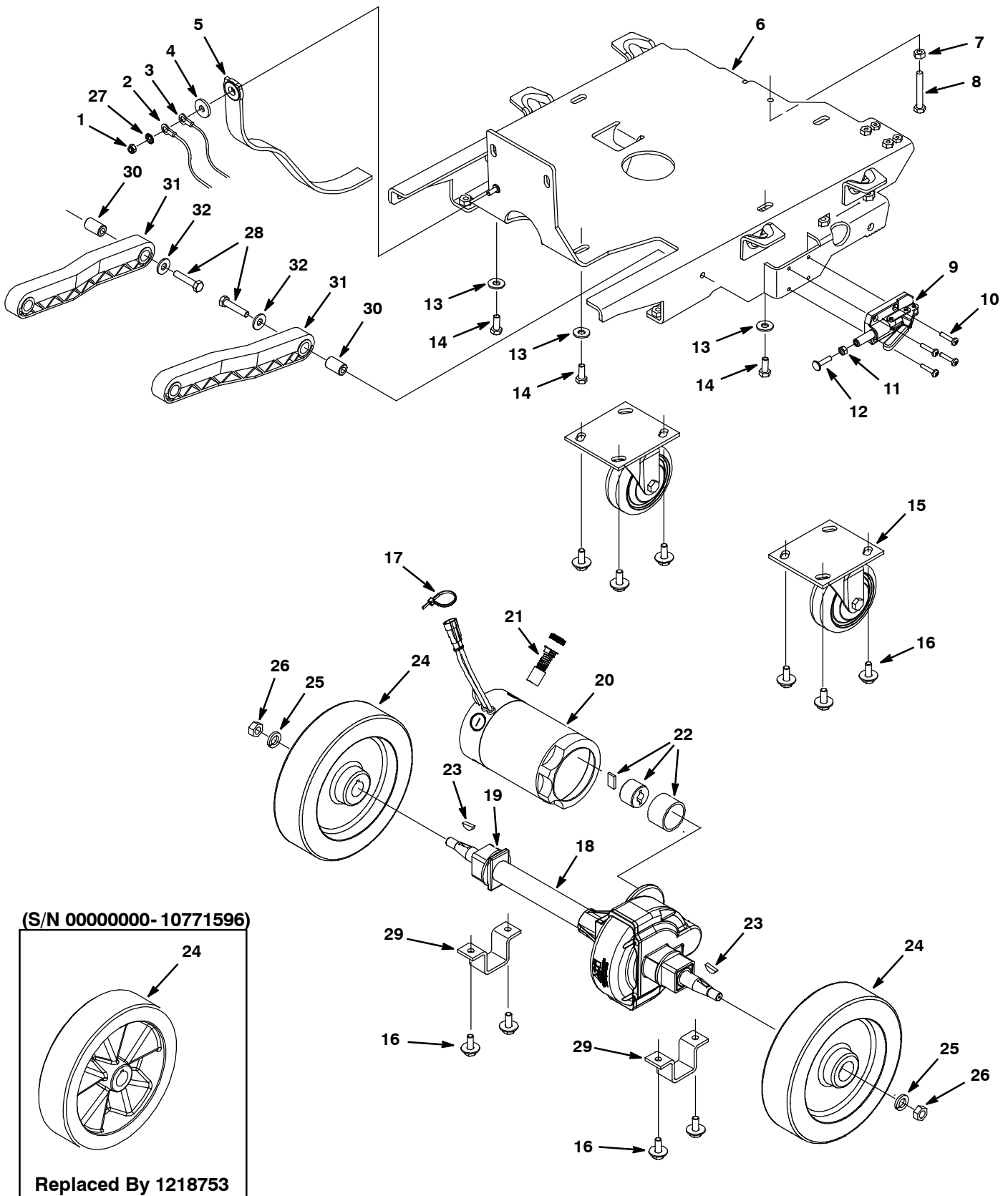
Ref.	Part No.	Serial Number	Description	Qty.	
1	608322	(00000000-	) Screw, Trs, M6 X 1.0 X 16, Phl, Ss	2	
2	01684	(00000000-	) Washer, Flat, 0.25 Ss	1	
3	1022820	(00000000-	) Cover, Electronics	1	
4	579211	(00000000-	) Nut, Hex, Lock, M3 X .5, Ss	4	
▽	5	9008406	(00000000-	) Circuitboard Kit, Logic [T5]	1
▲		27964	(00000000-	) Strap, Static Ground, Disposable	1
▲	6	1016816	(00000000-	) Pad, Thermal, Heat Sink	1
▲	7	1016825	(00000000-	) Support, Circuitboard	4
	8	383720	(00000000-	) Circuitbreaker, 05.0a	1
	9	11329	(00000000-	) Screw, Hex, M6 X 1.0 X 16, Ss, NI	1
	10	1024479	(00000000- 10632987 )	Harness, Battery, Us	1
	11	55248	(00000000-	) Mount, Cable Tie	3
	12	48732	(10473940- 10632987 )	Screw, Pan, M6 X 1.0 X 10, Ss	1
	13	32982	(00000000- 10632987 )	Washer, Lock, Int, 0.25	4
	14	1029310	(00000000-	) Harness, Est	1
	15	1013523	(00000000- 10632987 )	Stand- Off, Wire, M6	1
	16	383721	(00000000-	) Circuitbreaker, 10.0a	1
	17	3701.6	(00000000-	) Screw, Pan, #06- 32 X 0.38, Phl Ss Shtmtl	4
	18	1019218	(00000000-	) Washer, Flat, 0.14b 0.31d, Nyl	4
	19	06922	(00000000-	) Screw, Pan, M3 X 0.5 X 20, 4.8	4
	20	1002078	(00000000-	) Spacer, .50x X 1.25l, M6 Thread	3
	21	1018559	(00000000-	) Screw, Set, M6 X 1.0 X 30, Ss	3
	22	1029051	(00000000-	) Strap, Static, Controller	1
▽	23	9002572	(00000000- 10632987 )	Kit, Housing, Electrical	1
▲	24	1008675	(00000000-	) Gasket, Foam, Edge (Fr)	1
	25	1038490	(00000000- 10632987 )	Relay, 24vdc, 100a, No [Trombetta]	1
	26	41359	(00000000- 10632987 )	Nut, Hex, Std, M6 X 1.0, 8	2
	27	1023868	(00000000- 10632987 )	Bracket, Stand- Off	1
	28	86379	(00000000- 10632987 )	Fuse, .88 X 3.2l 100a 125vac	1
	29	1024511	(00000000- 10632987 )	Cable, Cntrl Red	1
	30	33932	(10306157-	) Nut, Hex, Lock, M4 X 0.70, NI, Ss	2
	31	19065	(10306157-	) Washer, Flat, #08	2
	32	1001219	(10306157-	) Relay, 24vdc, Dpdt	1
	33	24265	(10306157-	) Screw, Pan, M4 X 0.7 X 16, Ss	2
	34	1034731	(00000000-	) Screw, Hex, M6 X 1.00 X 16, Sems, Ss	4
	35	1057560	(00000000-	) Washer, Flat, M6.4b, X 16d X 1 PI	4
	36	1018559	(10473940- 10632987 )	Screw, Set, M6 X 1.0 X 30, Ss	1
	37	07785	(10473940- 10632987 )	Nut, Hex, Std, M6 X 1.00, Ss	1
	38	48732	(00000000- 10473939 )	Screw, Pan, M6 X 1.0 X 10, Ss (Replaced By #36 & #37)	1
	39	1021778	(00000000-	) Cable, Ribbon [T5]	1
	40	32490	(00000000- 10632987 )	Washer, Flat, 0.25, Std	6
	41	1066493	(00000000-	) Washer, Flat, 0.35b 0.75d .04, PI	1

▽ ASSEMBLY

▲ INCLUDED IN ASSEMBLY

# STANDARD PARTS

## DRIVE GROUP



**STANDARD PARTS****DRIVE GROUP**

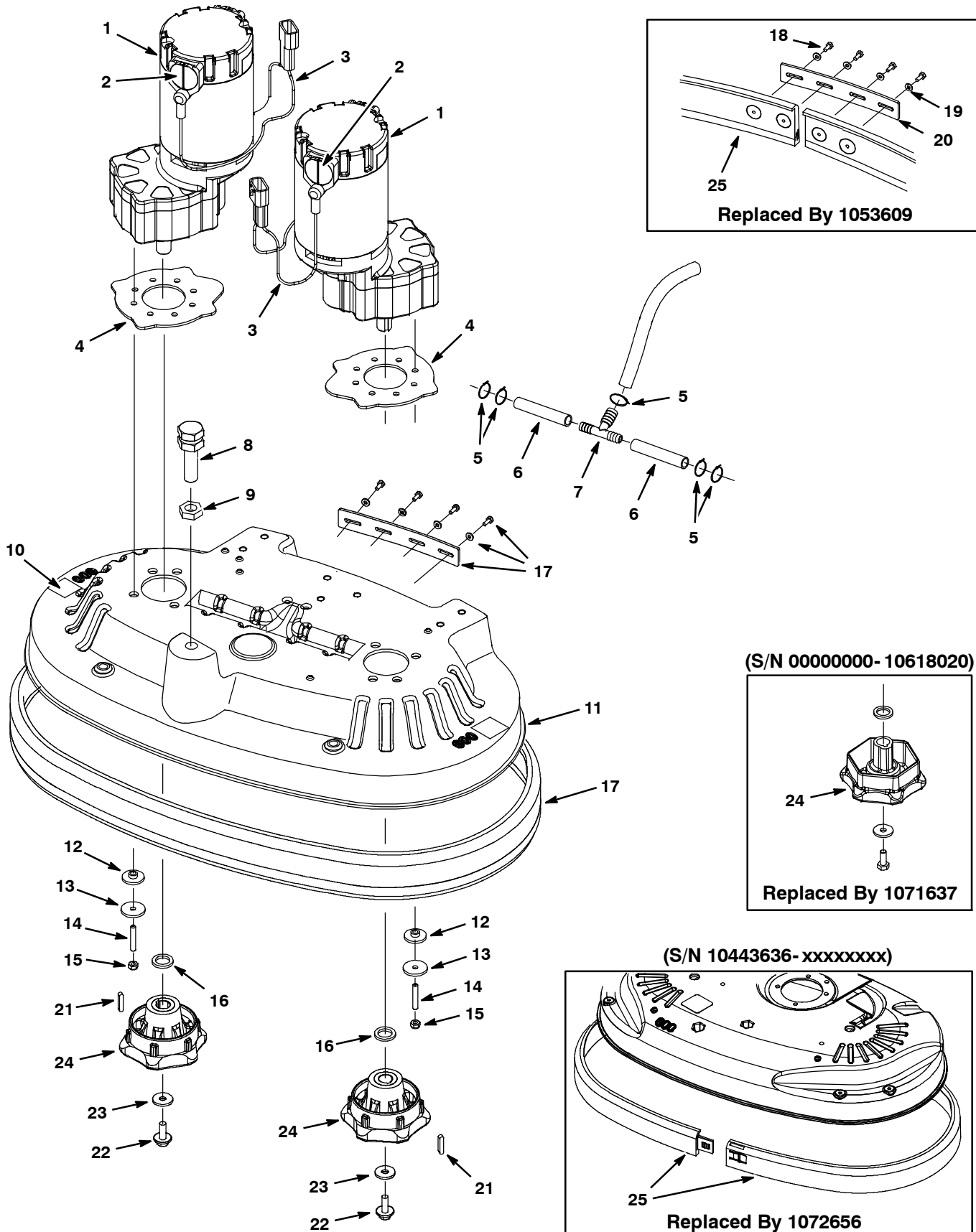
Ref.	Part No.	Serial Number	Description	Qty.	
1	08712	(00000000-	) Nut, Hex, Lock, M6 X 1.0, Ss, NI	1	
2	1031370	(00000000-	) Wire, 12 Awg X 250mm	1	
3	1029310	(00000000-	) Harness, Ground, 12 Awg	1	
4	140053	(00000000-	) Washer, Flat, 0.28b 0.88d .12, Ss	1	
5	1029181	(00000000-	) Strap, Static	1	
6	1020959	(00000000-	) Frame Wldt, Transaxle	1	
7	07786	(00000000-	) Nut, Hex, Std, M8 X 1.25, Ss	1	
8	222504	(00000000-	) Screw, Hex, M8 X 1.25 X 55, Ss	1	
9	1022878	(00000000-	) Clamp, Str, 30mm Strk (Optional)	1	
10	55845	(00000000-	) Screw, Hex, M5 X 0.80 X 16, Fmg	4	
11	07785	(00000000-	) Nut, Hex, Std, M6 X 1.0, A2, Ss	1	
12	1017416	(00000000-	) Screw, Weld, M06 X 1.00 X 25, Thru, Ss	1	
13	1016331	(00000000-	) Washer, Flat, 0.34b 1.25d .11, Ss	5	
14	12273	(00000000-	) Screw, Hex, M8 X 1.25 X 20, Ss, NI	5	
15	1049048	(00000000-	) Caster, Swivel, 4.0d 1.4w, 4hole [400lb]	2	
16	1020341	(00000000-	) Screw, Hex, M8 X 1.25 X 20, Ss, Sems	12	
17	130773	(00000000-	) Tie, Cable, Nyl, 11.0l, .14w, 3.0 Max. D	4	
▽	18	1021168	(00000000-	) Transaxle, 24vdc, 110rpm [Asi]	1
▲	19	612880	(00000000-	) Sleeve, Transaxle, Replmt	2
▲▽	20	1031723	(00000000-	) Motor, Transaxle, 24vdc, Replmt, Asi	1
▲▲	21	614166	(00000000-	) Brush Kit, Carbon [Qty 4]	1
▲	22	1017782	(00000000-	) Coupling Kit, Transaxle, Replmt [11057]	1
▲	23	1021167	(00000000-	) Key, Woodruff, 5mm	2
▽		9004909	(00000000-	) Wheel Kit, Solid, Ci [T5 T5e Ss5]	1
▲	24	1218753	(10771597-	) Wheel, Scrbr, 213mm, W/ Taper	2
	24	1020688	(00000000- 10771596 )	Wheel, Scrbr, 213.00mm With Taper (Replaced by 9004909)	2
	25	140024	(00000000-	) Washer, Lock, Splt, 0.50, Ss	2
	26	07788	(00000000-	) Nut, Hex, Std, M12 X 1.75, Ss	2
	27	140052	(00000000-	) Washer, Lock, Ext, 0.25 Ss	1
	28	74440	(00000000-	) Screw, Hex, M8 X 1.25 X 40, Ss, NI	2
	29	606001	(00000000-	) Bracket, Transaxle, Mtg, Ylw Zn	2
	30	606056	(00000000-	) Tube, 00.62d 00.32b 01.0l Stl Plt	2
	31	222027	(00000000-	) Arm, Lift, Head	2
	32	01685	(00000000-	) Washer, Flat, 0.31 Ss	2
	N/S	1024588	(00000000-	) Harness, Chassis, Wire, Us	1

▽ ASSEMBLY

▲ INCLUDED IN ASSEMBLY

# STANDARD PARTS

## SCRUB HEAD GROUP, DISK 24 in / 600 mm



**STANDARD PARTS****SCRUB HEAD GROUP, DISK 24 in / 600 mm**

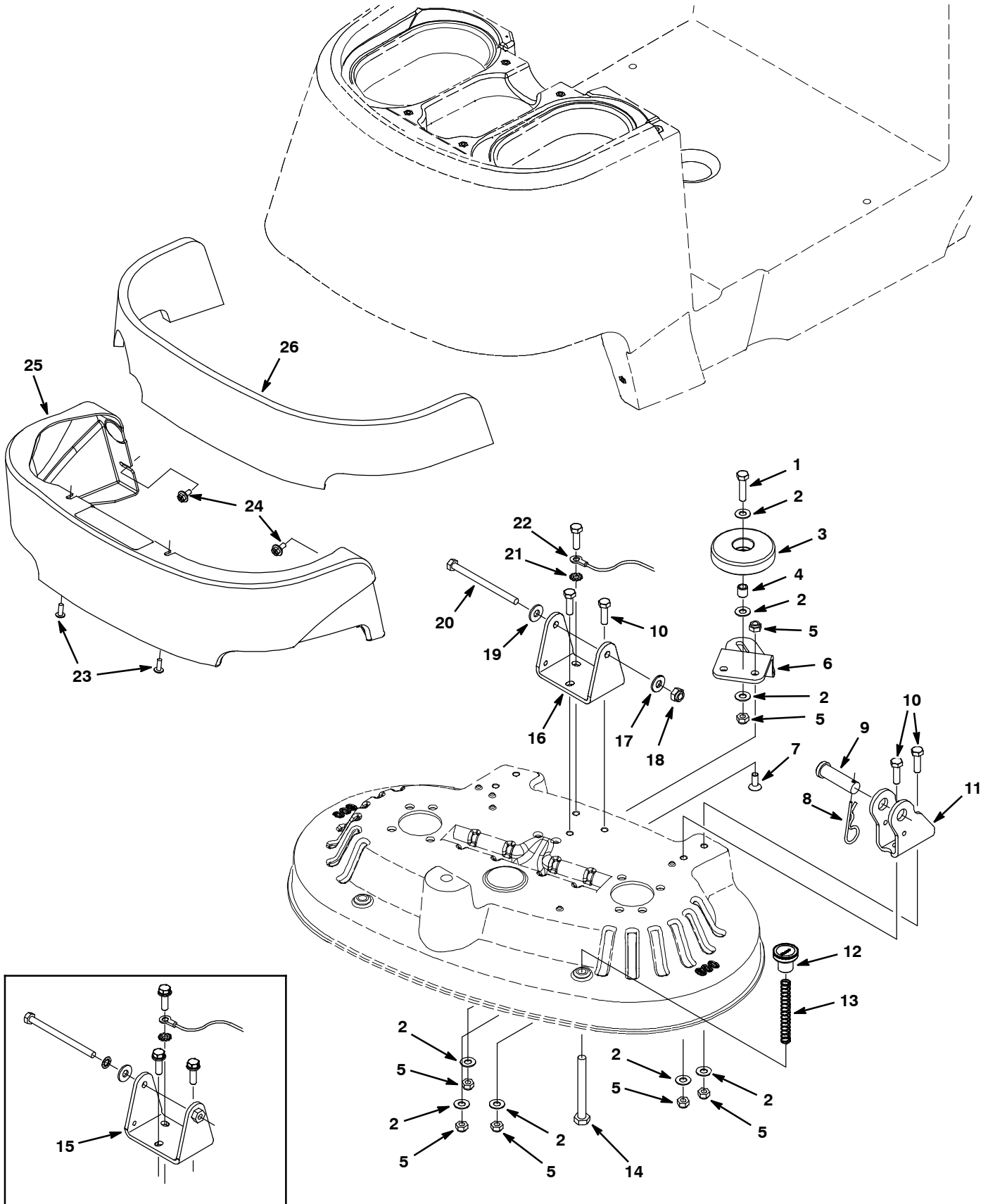
Ref.	Part No.	Serial Number	Description	Qty.
▽	1	1023067	(00000000- ) Motor, Gearbox,24vdc, 220rpm, 0.75hp	2
▲	2	1031775	(00000000- ) Brush, Brush- Motor, Afmkt	1
▲	3	1031681	(00000000- ) Harness, Connector, Brush- Motor- Us	1
	4	1024321	(00000000- ) Spacer, Rbr, Motor	2
	5	130773	(00000000- ) Tie, Cable, Nyl, 11.0l, .14w, 3.0 Max. D	7
	6	606362	(00000000- ) Hose 3/8ldX5/8OdX6.5 (611254)	2
	7	1022556	(00000000- ) Fitting, Plstc, Tee, Bm06/Bm06/Bm08	1
	8	1022424	(00000000- ) Stud, Adj, M16, Scrub Head	1
	9	763066	(00000000- ) Nut, Hex, Jam, M16 X 2.0	1
	10	578769	(00000000- ) Label, Moving Parts	2
	11	1022402	(00000000- ) Housing, Casting, Head, 60cm, Mach	1
	12	1025160	(00000000- ) Grommet, Isolator, 6b X 10od X 26.0fl	8
	13	386063	(00000000- ) Washer, Flat, 0.25b 1.12d .12, Ss	8
	14	1025853	(00000000- ) Screw, Set, M6 X 1.00 X 35, Ss, NI	8
	15	08712	(00000000- ) Nut, Hex, Lock, M6 X 1.0, Ss, NI	8
	16	1022549	(00000000- ) Spacer, Shaft, 17.15b, 25.0d, 3.0t	2
	17	1072656	(xxxxxxx- ) Bumper, Head, 60cm, Bristle Skirt (Includes Mounting Hardware & Retaining Strap)	1
	18	1020234	(00000000- 10443635 ) Screw, Hex, M4 X 0.7 X 10, Ss	4
	19	41578	(00000000- 10443635 ) Washer, Flat, #06 Ss	4
	20	1023573	(00000000- 10443635 ) Strap, Retaining, Skirt (Replaced by 1053609)	1
	21	1014328	(00000000- ) Key, Sq, 05mm X 05mm, 25l	2
	22	1072628	(00000000- ) Screw, Hex, M8 X 1.25 X 25, Ss, Sems	2
	23	1017218	(00000000- ) Washer, Flat, 0.32b 1.00d .12, Ss	2
	24	1071637	(10618021- ) Hub, Drive, Brush, Disk, 17mmb	2
	24	1022550	(00000000- 10618020 ) Hub, Drive, Brush, Disk, 17mm (Replaced by 1071637)	2
	25	1053609	(10443636- xxxxxxxx ) Bumper, Head, 60cm, Bristle Skirt (Replaced by 1072656)	1
	25	1024938	(00000000- 10443635 ) Bumper, Head, 60cm, Bristle Skirt, Assy (Replaced by 1053609)	1

▽ ASSEMBLY

▲ INCLUDED IN ASSEMBLY

# STANDARD PARTS

## SCRUB HEAD GROUP, DISK 24 in / 600 mm - CONT'D





**STANDARD PARTS****SCRUB HEAD GROUP, DISK 24 in / 600 mm - CONT'D**

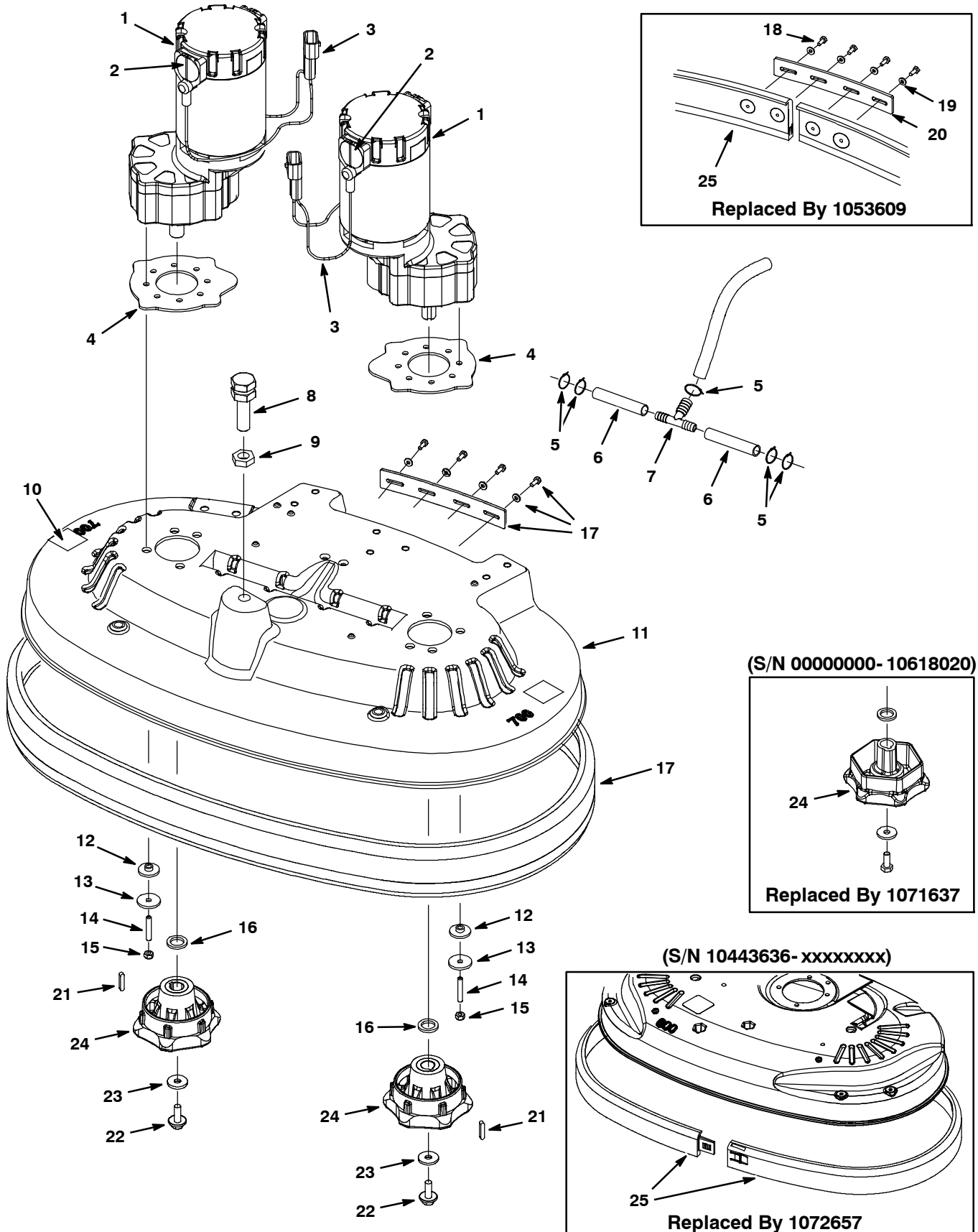
Ref.	Part No.	Serial Number	Description	Qty.	
1	09023	(00000000-	) Screw, Hex, M8 X 1.25 X 35, Ss, Fl	1	
2	140027	(00000000-	) Washer, Flat, 0.35b 0.75d .04, Ss	10	
3	1010560	(00000000-	) Wheel, Bmpr, 80d X 25w, Non- Marking	1	
4	222460	(00000000-	) Sleeve, P/M, 0.496d 0.318b 0.50l 430ss	1	
5	08713	(00000000-	) Nut, Hex, Lock, M8 X 1.25, NI, Ss	10	
6	1022344	(00000000-	) Bracket, Roller, Wall, Scrubhead, 60cm	1	
7	79246	(00000000-	) Screw, Flt, M8 X 1.25 X 20, Ss 18- 8	2	
8	02942	(00000000-	) Pin, Hair Cotter, 0.62 D .120 Wir	2	
9	222210	(00000000-	) Pin, Clevis, 0.62 D X 2.12l	2	
10	09011	(00000000-	) Screw, Hex, M8 X 1.25 X 30, Ss	7	
11	1022227	(00000000-	) Bracket, Link, Scrubhead	2	
12	1024179	(00000000-	) Knob, Knurled, M10 Thread	2	
13	626081	(00000000-	) Spring, Cmpr, 12.1d, 0.9w, 90.0l	2	
14	09746	(00000000-	) Screw, Hex, M10 X 1.5 X 90, Ss	2	
15	N/A	(00000000- 10325113	) (Replaced By Items #16, 17, & 18)	1	
16	1036022	(10325114-	) Bracket, Mtg, Actuator, Scb Head	1	
17	01685	(10325114-	) Washer, Flat, 0.31 Ss	1	
18	08713	(10325114-	) Nut, Hex, Lock, M8 X 1.25, NI, Ss	1	
19	01685	(00000000-	) Washer, Flat, 0.31 Ss	1	
20	364441	(00000000-	) Screw, Hex, M8 X 1.25 X 110, Ss	1	
21	43952	(00000000-	) Washer, Lock, Int, 0.31, Ss	1	
22	1031370	(00000000-	) Wire, 12 Awg X 250mm	1	
23	608322	(00000000-	) Screw, Trs, M6 X 1.0 X 16, Phl, Ss	2	
24	1034731	(00000000-	) Screw, Hex, M6 X 1.00 X 16, Sems, Ss	2	
▽	25	9002676	(00000000-	) Kit, Cover, Disc- Head	1
▲	26	1024437	(00000000-	) Insulation, Sound, Front	1

▽ ASSEMBLY

▲ INCLUDED IN ASSEMBLY

# STANDARD PARTS

## SCRUB HEAD GROUP, DISK 28 in / 700 mm



**STANDARD PARTS****SCRUB HEAD GROUP, DISK 28 in / 700 mm**

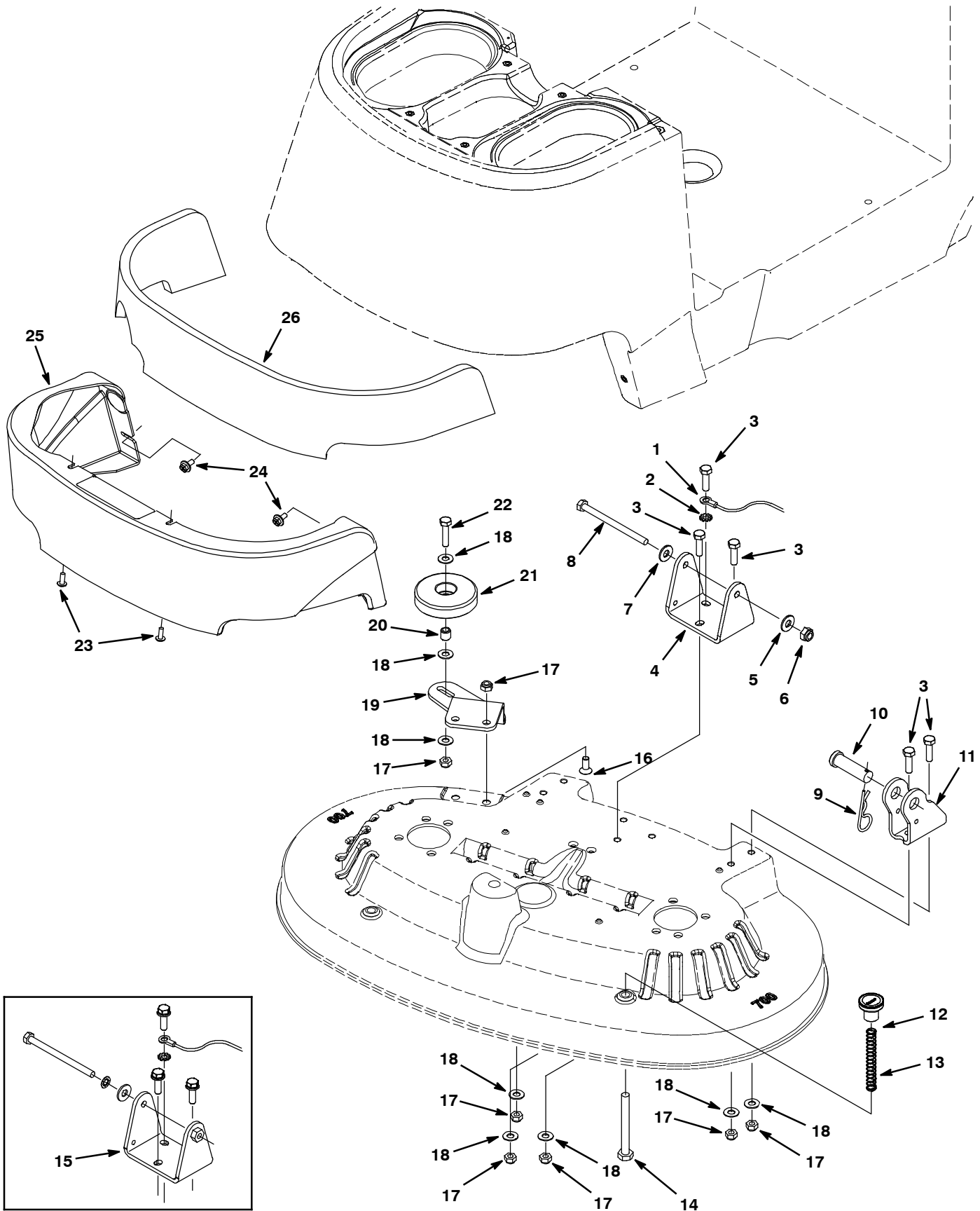
Ref.	Part No.	Serial Number	Description	Qty.
▽	1	1023067	(00000000- ) Motor, Gearbox,24vdc, 220rpm, 0.75hp	2
▲	2	1031775	(00000000- ) Brush, Brush- Motor, Afmkt	1
▲	3	1031681	(00000000- ) Harness, Connector, Brush- Motor- Us	1
	4	1024321	(00000000- ) Spacer, Rbr, Motor	2
	5	130773	(00000000- ) Tie, Cable, Nyl, 11.0l, .14w, 3.0 Max. D	7
	6	606362	(00000000- ) Hose 3/8ldX5/8OdX6.5 (611254)	2
	7	1022556	(00000000- ) Fitting, Plstc, Tee, Bm06/Bm06/Bm08	1
	8	1022424	(00000000- ) Stud, Adj, M16, Scrub Head	1
	9	763066	(00000000- ) Nut, Hex, Jam, M16 X 2.0	1
	10	578769	(00000000- ) Label, Moving Parts	2
	11	1023182	(00000000- ) Housing, Casting, Head, 70cm, Mach	1
	12	1025160	(00000000- ) Grommet, Isolator, 6b X 10od X 26.0fl	8
	13	386063	(00000000- ) Washer, Flat, 0.25b 1.12d .12, Ss	8
	14	1025853	(00000000- ) Screw, Set, M6 X 1.00 X 35, Ss, NI	8
	15	08712	(00000000- ) Nut, Hex, Lock, M6 X 1.0, Ss, NI	8
	16	1022549	(00000000- ) Spacer, Shaft, 17.15b, 25.0d, 3.0t	2
	17	1072657	(xxxxxxx- ) Bumper, Head, 70cm, Bristle Skirt (Includes Mounting Hardware & Retaining Strap)	1
	18	1020234	(00000000- 10446231 ) Screw, Hex, M4 X 0.7 X 10, Ss	4
	19	41578	(00000000- 10446231 ) Washer, Flat, #06 Ss	4
	20	1023573	(00000000- 10446231 ) Strap, Retaining, Skirt (Replaced by 1053613)	1
	21	1014328	(00000000- ) Key, Sq, 05mm X 05mm, 25l	2
	22	1072628	(00000000- ) Screw, Hex, M8 X 1.25 X 25, Ss, Sems	2
	23	1017218	(00000000- ) Washer, Flat, 0.32b 1.00d .12, Ss	2
	24	1071637	(10618021- ) Hub, Drive, Brush, Disk, 17mmb	2
	24	1022550	(00000000- 10618020 ) Hub, Drive, Brush, Disk, 17mm (Replaced by 1071637)	2
	25	1053613	(10446232- xxxxxxxx ) Bumper, Head, 70cm, Bristle Skirt (Replaced by 1072657)	1
	25	1023802	(00000000- 10446231 ) Bumper, Head, 70cm, Bristle Skirt, Assy (Replaced by 1053613)	1

▽ ASSEMBLY

▲ INCLUDED IN ASSEMBLY

# STANDARD PARTS

## SCRUB HEAD GROUP, DISK 28 in / 700 mm - CONT'D



**STANDARD PARTS****SCRUB HEAD GROUP, DISK 28 in / 700 mm - CONT'D**

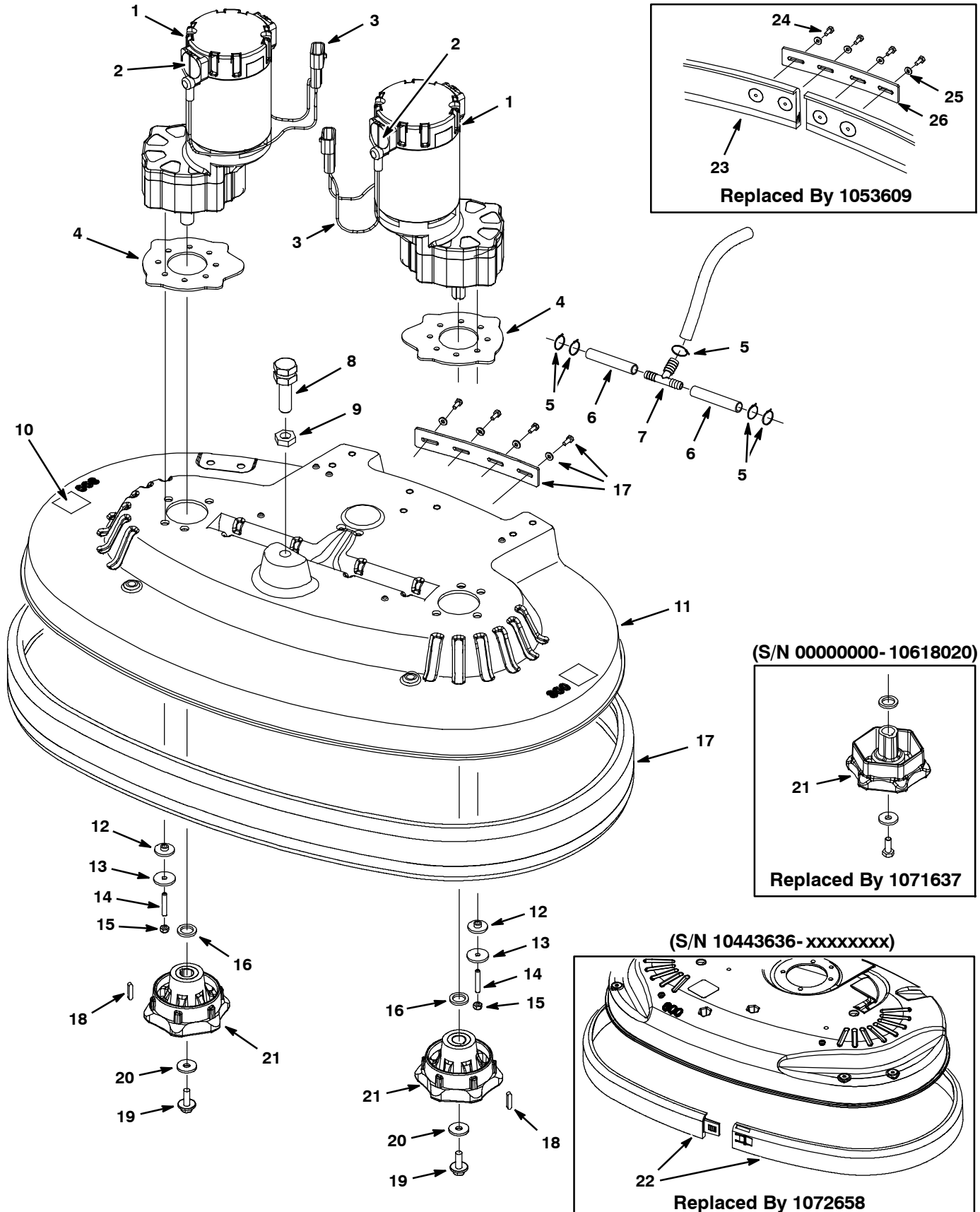
Ref.	Part No.	Serial Number	Description	Qty.	
1	1031370	(00000000-	) Wire, 12 Awg X 250mm	1	
2	43952	(00000000-	) Washer, Lock, Int, 0.31, Ss	1	
3	09011	(00000000-	) Screw, Hex, M8 X 1.25 X 30, Ss	7	
4	1036022	(10325114-	) Bracket, Mtg, Actuator, Scb Head	1	
5	01685	(10325114-	) Washer, Flat, 0.31 Ss	1	
6	08713	(10325114-	) Nut, Hex, Lock, M8 X 1.25, NI, Ss	1	
7	01685	(00000000-	) Washer, Flat, 0.31 Ss	1	
8	364441	(00000000-	) Screw, Hex, M8 X 1.25 X 110, Ss	1	
9	02942	(00000000-	) Pin, Hair Cotter, 0.62 D .120 Wir	2	
10	222210	(00000000-	) Pin, Clevis, 0.62 D X 2.12l	2	
11	1022227	(00000000-	) Bracket, Link, Scrubhead	2	
12	1024179	(00000000-	) Knob, Knurled, M10 Thread	2	
13	626081	(00000000-	) Spring, Cmpr, 12.1d, 0.9w, 90.0l	2	
14	09746	(00000000-	) Screw, Hex, M10 X 1.5 X 90, Ss	2	
15	N/A	(00000000- 10325113	) (Replaced By Items #4, 5, & 6)	1	
16	79246	(00000000-	) Screw, Flt, M8 X 1.25 X 20, Ss 18- 8	2	
17	08713	(00000000-	) Nut, Hex, Lock, M8 X 1.25, NI, Ss	10	
18	140027	(00000000-	) Washer, Flat, 0.35b 0.75d .04, Ss	10	
19	1023268	(00000000-	) Bracket, Roller, Wall, Scb Head, 70cm	1	
20	222460	(00000000-	) Sleeve, P/M, 0.496d 0.318b 0.50l 430ss	1	
21	1010560	(00000000-	) Wheel, Bmpr, 80d X 25w, Non- Marking	1	
22	09023	(00000000-	) Screw, Hex, M8 X 1.25 X 35, Ss, Fl	1	
23	608322	(00000000-	) Screw, Trs, M6 X 1.0 X 16, Phl, Ss	2	
24	1034731	(00000000-	) Screw, Hex, M6 X 1.00 X 16, Sems, Ss	2	
▽	25	9002676	(00000000-	) Kit, Cover, Disc- Head	1
▲	26	1024437	(00000000-	) Insulation, Sound, Front	1

▽ ASSEMBLY

▲ INCLUDED IN ASSEMBLY

# STANDARD PARTS

## SCRUB HEAD GROUP, DISK 32 in / 800 mm



**STANDARD PARTS****SCRUB HEAD GROUP, DISK 32 in / 800 mm**

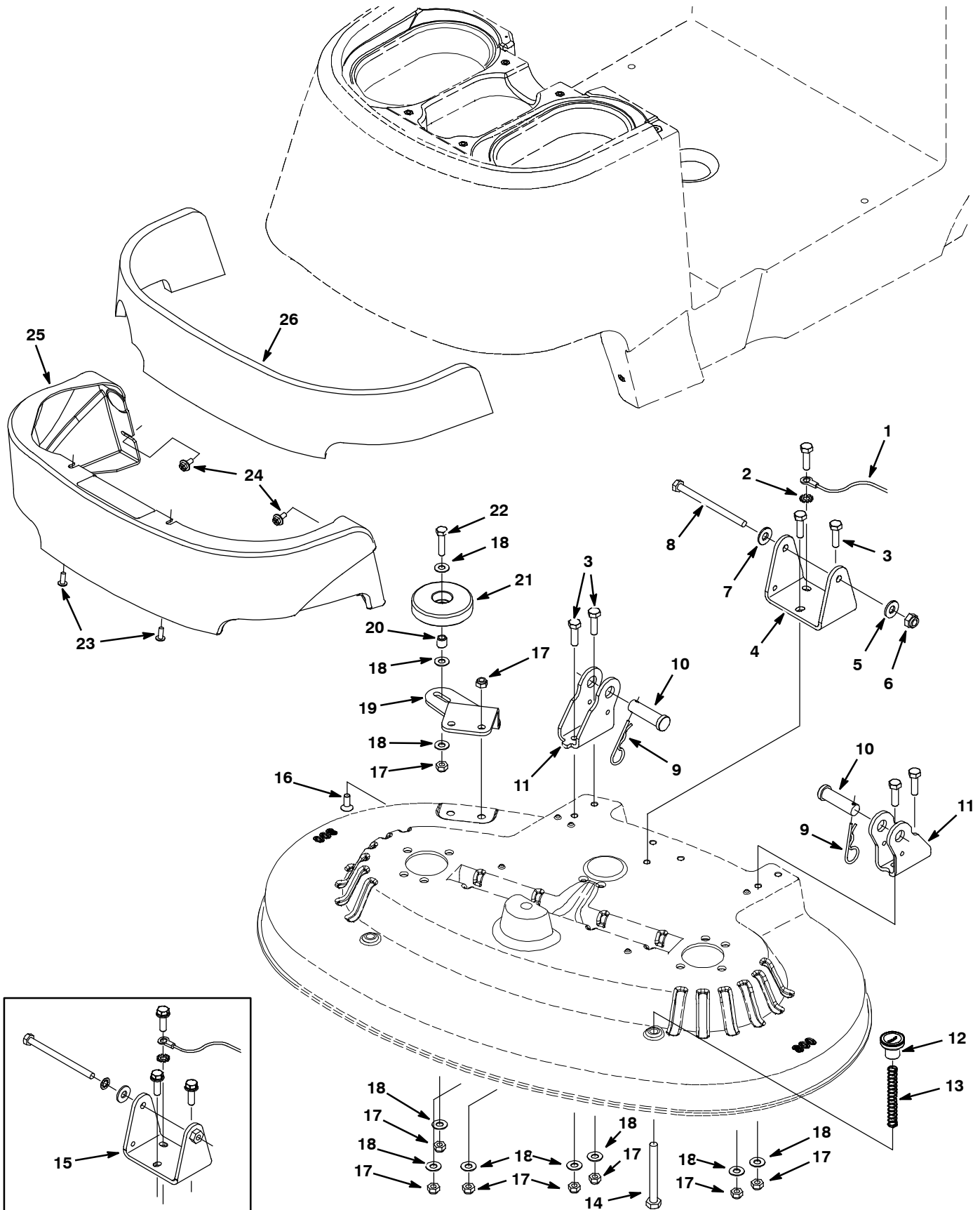
Ref.	Part No.	Serial Number	Description	Qty.
▽	1	1023067	(00000000- ) Motor, Gearbox,24vdc, 220rpm, 0.75hp	2
▲	2	1031775	(00000000- ) Brush, Brush- Motor, Afmkt	1
▲	3	1031681	(00000000- ) Harness, Connector, Brush- Motor- Us	1
	4	1024321	(00000000- ) Spacer, Rbr, Motor	2
	5	130773	(00000000- ) Tie, Cable, Nyl, 11.0l, .14w, 3.0 Max. D	7
	6	606885	(00000000- ) Hose 3/8idx5/8odx7.75 (611254)	2
	7	1022556	(00000000- ) Fitting, Plstc, Tee, Bm06/Bm06/Bm08	1
	8	1022424	(00000000- ) Stud, Adj, M16, Scrub Head	1
	9	763066	(00000000- ) Nut, Hex, Jam, M16 X 2.0	1
	10	578769	(00000000- ) Label, Moving Parts	2
	11	1023697	(00000000- ) Housing, Casting, Head, 80cm, Mach	1
	12	1025160	(00000000- ) Grommet, Isolator, 6b X 10od X 26.0fl	8
	13	386063	(00000000- ) Washer, Flat, 0.25b 1.12d .12, Ss	8
	14	1025853	(00000000- ) Screw, Set, M6 X 1.00 X 35, Ss, NI	8
	15	08712	(00000000- ) Nut, Hex, Lock, M6 X 1.0, Ss, NI	8
	16	1022549	(00000000- ) Spacer, Shaft, 17.15b, 25.0d, 3.0t	2
	17	1072658	(xxxxxxx- ) Bumper, Head, 80cm, Bristle Skirt (Includes Mounting Hardware & Retaining Strap)	1
	18	1014328	(00000000- ) Key, Sq, 05mm X 05mm, 25l	2
	19	1072628	(00000000- ) Screw, Hex, M8 X 1.25 X 25, Ss, Sems	2
	20	1017218	(00000000- ) Washer, Flat, 0.32b 1.00d .12, Ss	2
	21	1071637	(10618021- ) Hub, Drive, Brush, Disk, 17mmb	2
	21	1022550	(00000000- 10618020 ) Hub, Drive, Brush, Disk, 17mm (Replaced by 1071637)	2
	22	1053618	(10423045- xxxxxxxx ) Bumper, Head, 80cm, Bristle Skirt (Replaced by 1072658)	1
▽	23	1024941	(00000000- 10423044 ) Bumper Assy, Skirt, Scb Head, 80cm (Replaced by 1053618)	1
▲	24	1020234	(00000000- 10423044 ) Screw, Hex, M4 X 0.7 X 10, Ss	4
▲	25	41578	(00000000- 10423044 ) Washer, Flat, #06 Ss	4
▲	26	1023573	(00000000- 10423044 ) Strap, Retaining, Skirt (Replaced by 1053618)	1

▽ ASSEMBLY

▲ INCLUDED IN ASSEMBLY

# STANDARD PARTS

## SCRUB HEAD GROUP, DISK 32 in / 800 mm - CONT'D





**STANDARD PARTS****SCRUB HEAD GROUP, DISK 32 in / 800 mm - CONT'D**

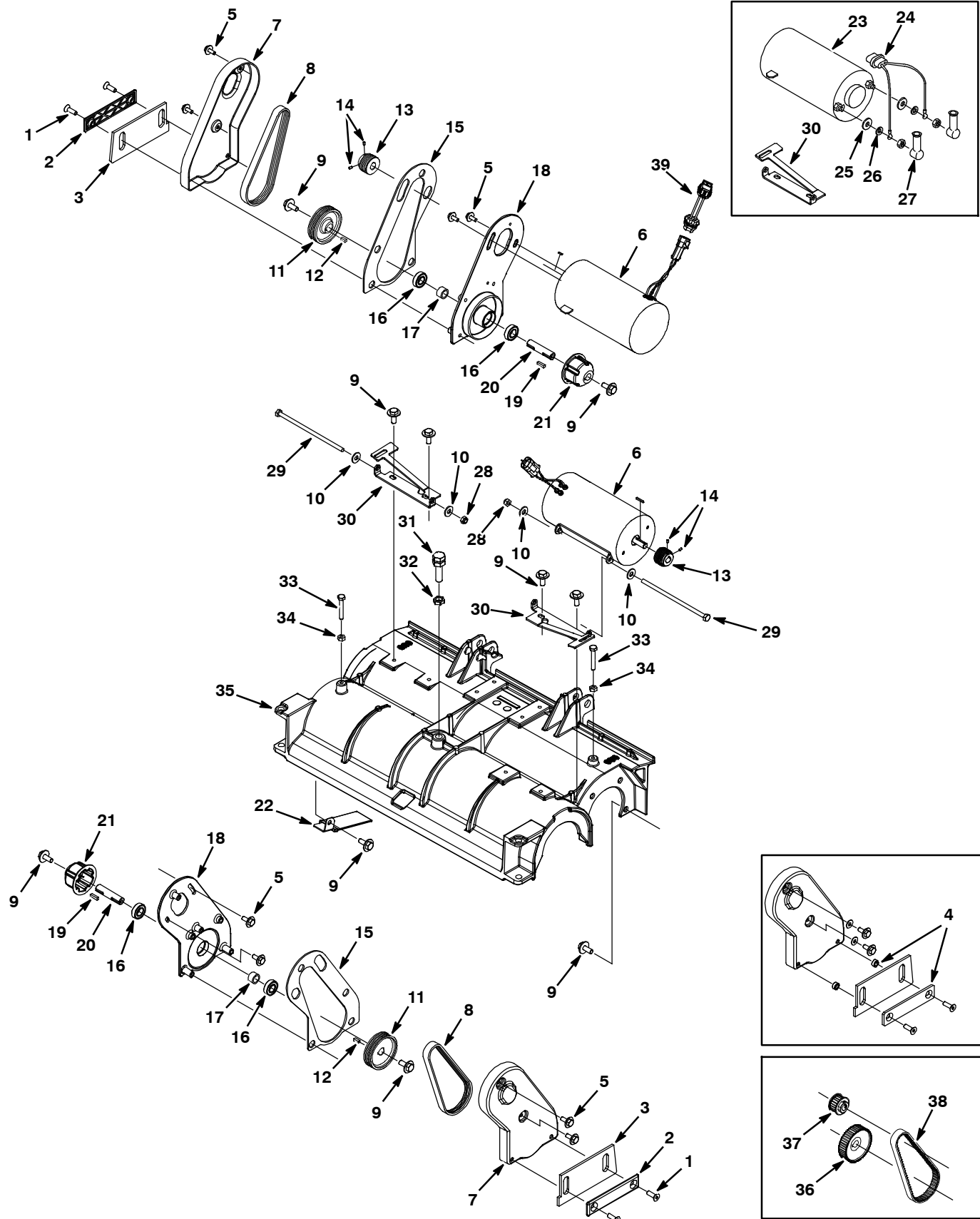
Ref.	Part No.	Serial Number	Description	Qty.	
1	1031370	(00000000-	) Wire, 12 Awg X 250mm	1	
2	43952	(00000000-	) Washer, Lock, Int, 0.31, Ss	1	
3	09011	(00000000-	) Screw, Hex, M8 X 1.25 X 30, Ss	7	
4	1036022	(10325114-	) Bracket, Mtg, Actuator, Scb Head	1	
5	01685	(10325114-	) Washer, Flat, 0.38b 0.88d .08, Ss	1	
6	08713	(10325114-	) Nut, Hex, Lock, M8 X 1.25, NI, Ss	1	
7	01685	(00000000-	) Washer, Flat, 0.31 Ss	1	
8	364441	(00000000-	) Screw, Hex, M8 X 1.25 X 110, Ss	1	
9	02942	(00000000-	) Pin, Hair Cotter, 0.62 D .120 Wir	2	
10	222210	(00000000-	) Pin, Clevis, 0.62 D X 2.12l	2	
11	1022227	(00000000-	) Bracket, Link, Scrubhead	2	
12	1024179	(00000000-	) Knob, Knurled, M10 Thread	2	
13	626081	(00000000-	) Spring, Cmpr, 12.1d, 0.9w, 90.0l	2	
14	09746	(00000000-	) Screw, Hex, M10 X 1.5 X 90, Ss	2	
15	N/A	(00000000- 10325113	) (Replaced By Items #4, 5, & 6)	1	
16	79246	(00000000-	) Screw, Flt, M8 X 1.25 X 20, Ss 18- 8	2	
17	08713	(00000000-	) Nut, Hex, Lock, M8 X 1.25, NI, Ss	10	
18	140027	(00000000-	) Washer, Flat, 0.35b 0.75d .04, Ss	10	
19	1023268	(00000000-	) Bracket, Roller, Wall, Scb Head, 70cm	1	
20	222460	(00000000-	) Sleeve, P/M, 0.496d 0.318b 0.50l 430ss	1	
21	1010560	(00000000-	) Wheel, Bmpr, 80d X 25w, Non- Marking	1	
22	09023	(00000000-	) Screw, Hex, M8 X 1.25 X 35, Ss, Fl	1	
23	608322	(00000000-	) Screw, Trs, M6 X 1.0 X 16, Phl, Ss	2	
24	1034731	(00000000-	) Screw, Hex, M6 X 1.00 X 16, Sems, Ss	2	
▽	25	9002676	(00000000-	) Kit, Cover, Disc- Head	1
▲	26	1024437	(00000000-	) Insulation, Sound, Front	1

▽ ASSEMBLY |

▲ INCLUDED IN ASSEMBLY

# STANDARD PARTS

## SCRUB HEAD GROUP, CYLINDRICAL 26 in / 650 mm



**STANDARD PARTS****SCRUB HEAD GROUP, CYLINDRICAL 26 in / 650 mm**

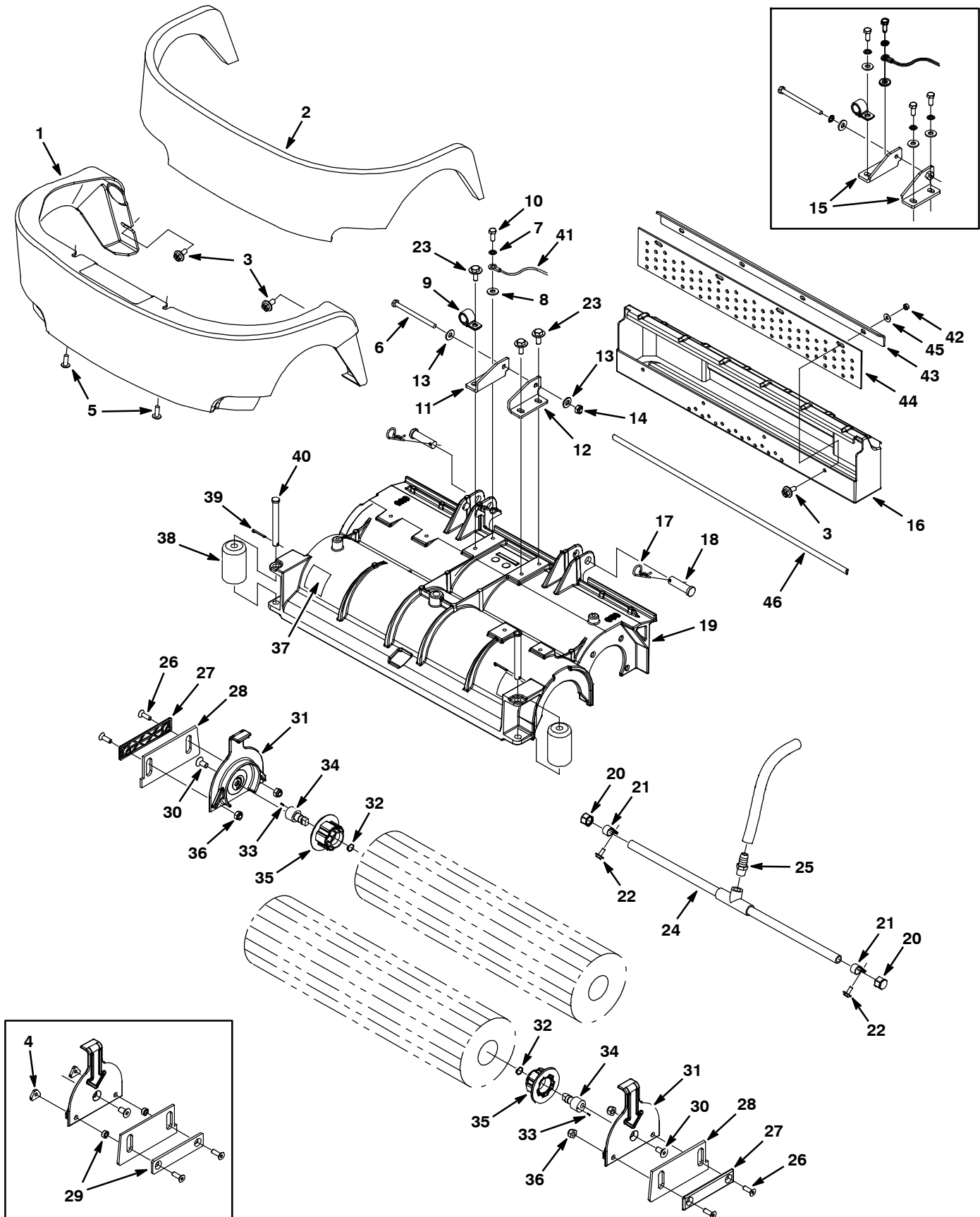
Ref.	Part No.	Serial Number	Description	Qty.	
1	222692	(00000000-	) Screw, Flt, M8 X1.25 X 25, Ss, 18- 8, NI	4	
2	1036245	(10383861-	) Retainer, Blade, Sqge, Side, Blk, Nyl	2	
3	1026292	(00000000-	) Skirt, Side, Scb, Cyl	2	
4	N/A	(00000000- 10383860	) (Replaced By Item #2)	4	
5	1034731	(00000000-	) Screw, Hex, M6 X 1.00 X 16, Sems, Ss	8	
▽	6	1042228	(10419662-	) Motor, Ele, 24vdc 1500rpm 0.75hp 23.0a	2
▲	1049739	(10419662-	) Brush Kit, Carbon, Motor, Replmt [4pcs]	2	
7	1022807	(00000000-	) Cover, Belt	2	
8	1035888	(10338658-	) Belt, Drive, 6Grv, 508l X 14w, [6Pj]	2	
9	1020341	(00000000-	) Screw, Hex, M8 X 1.25 X 20, Sems, Ss	16	
10	01685	(00000000-	) Washer, Flat, 0.31 Ss	4	
11	1035173	(10338658-	) Sheave, 06Grv, 2.96pd, 0.59b, Alm [Pj]	2	
12	00961	(00000000-	) Key, Sq, 0.19 X 0.19, 0.50l	2	
13	1033528	(10338658-	) Sheave, 06Grv, 1.33pd, 0.50b, Alm [Pj]	2	
14	222818	(00000000-	) Screw, Set, #08- 32 X 0.25, NI	4	
15	1022401	(00000000-	) Gasket, Cover, Belt	2	
16	41360	(00000000-	) Bearing, Ball, 0.59b 1.26d 0.35w [2seal]	4	
17	1002077	(00000000-	) Spacer, 0.59b 0.81d 0.50l	2	
18	1021036	(00000000-	) Bracket, Motor, Machined	2	
19	00911	(00000000-	) Key, Sq, 0.19 X 0.19, 0.75l	2	
20	1021050	(00000000-	) Shaft, Drive	2	
21	378805	(00000000-	) Plug, Drive, Brush, Mach	2	
22	1029358	(00000000-	) Deflector, Water, Cyl Head	1	
▽	23	604980	(00000000- 10419661 ) Motor, Ele, 24vdc 1500rpm 0.75hp 23.0a (Replaced By 1050369)	2	
▲	190152	(00000000- 10419661 )	Brush, Carbon [Pk=4]	2	
▲	605305	(00000000- 10419661 )	Spring, Motor, F/ Carbon Brush	8	
24	606795	(00000000- 10419661 )	Harness Motor Cyl- Brush	2	
25	140027	(00000000- 10419661 )	Washer, Flat, 0.35b 0.75d .04, Ss	4	
26	43952	(00000000- 10419661 )	Washer, Lock, Int, 0.31 Ss	4	
27	608964	(00000000- 10419661 )	Boot, 90deg .27id 0.64id 1.79l, Blk	4	
28	08713	(00000000-	) Nut, Hex, Lock, M8 X 1.25, NI, Ss	2	
29	1025026	(00000000-	) Screw, Hex, M8 X 1.25 X 180, Ss	2	
30	1044386	(00000000-	) Bracket, Mtg, Motor	2	
31	1022424	(00000000-	) Stud, Adj, M16, Scrub Head	1	
32	763066	(00000000-	) Nut, Hex, Jam, M16 X 2.0	1	
33	578717	(00000000-	) Screw, Hex, M8 X 1.25 X 50, Ss	2	
34	07786	(00000000-	) Nut, Hex, Std, M8 X 1.25, Ss	2	
35	1022624	(00000000-	) Housing, Head, 65cm Cyl, Mach	1	
36	1024636	(00000000- 10338657 )	Sprocket, 48t, 5p V2	2	
37	375195	(00000000- 10338657 )	Sprocket, Timing, 22tooth, 0.50b, [Gt/2]	2	
38	377500	(00000000- 10338657 )	Belt,Synchronous, 500l,15mm [05p,Plychn]	2	
39	1052895	(10419662-	) Harness, Adapter, Motor [T7/T5]	1	

▽ ASSEMBLY

▲ INCLUDED IN ASSEMBLY

# STANDARD PARTS

## SCRUB HEAD GROUP, CYLINDRICAL 26 in / 650 mm - CONT'D



**STANDARD PARTS****SCRUB HEAD GROUP, CYLINDRICAL 26 in / 650 mm - CONT'D**

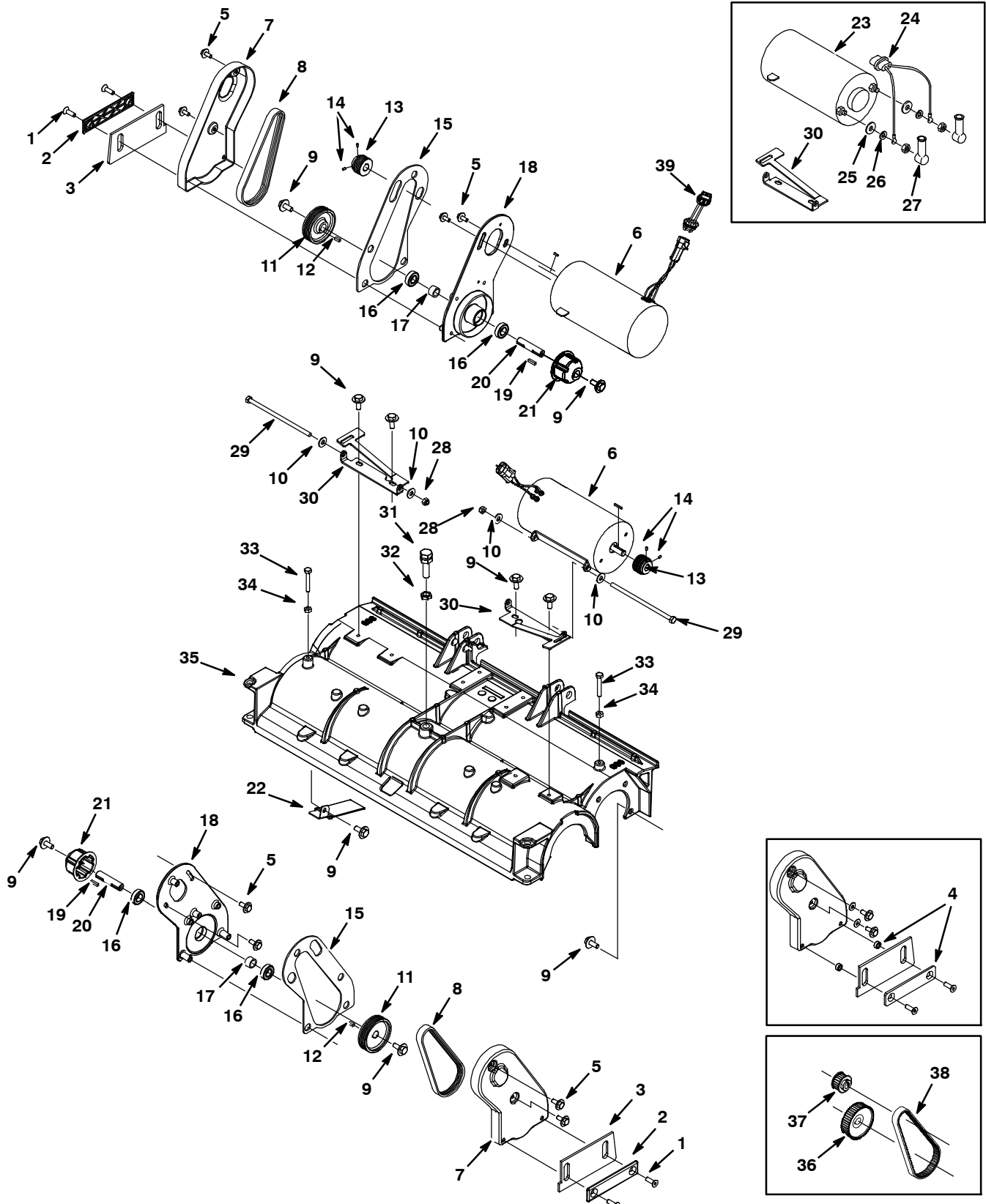
Ref.	Part No.	Serial Number	Description	Qty.
▽	1	9002677	(00000000- ) Kit, Cover, Cyl- Head	1
▲	2	1024940	(00000000- ) Insulation, Sound, Front, Cyl Head	1
	3	1034731	(00000000- ) Screw, Hex, M6 X 1.00 X 16, Sems, Ss	6
	4	N/A	(00000000- 10383860 ) (Replaced By Item #32)	4
	5	608322	(00000000- ) Screw, Trs, M6 X 1.0 X 16, Phl, Ss	2
	6	364441	(00000000- ) Screw, Hex, M8 X 1.25 X 110, Ss	1
	7	43952	(00000000- ) Washer, Lock, Int, 0.31 Ss	1
	8	01685	(00000000- ) Washer, Flat, 0.31 Ss	1
	9	140314	(00000000- ) Clamp, Cable, Stl, 0.75d X 0.75w, 1h, Yl	1
	10	12273	(00000000- ) Screw, Hex, M8 X 1.25 X 20, Ss, NI	1
	11	1036032	(10330480- ) Bracket, Lift, Head, Rh	1
	12	1036025	(10330480- ) Bracket, Lift, Head, Lh	1
	13	01685	(00000000- ) Washer, Flat, 0.31 Ss	1
	14	08713	(10330480- ) Nut, Hex, Lock, M8 X 1.25, NI, Ss	1
	15	N/A	(00000000- 10330479 ) (Replaced By Items #11, 12, 13, & 14)	1
	16	1023465	(00000000- ) Hopper, 65cm, Rm- Blk	1
	17	02942	(00000000- ) Pin, Hair Cotter, 0.62 D .120 Wir	2
	18	222210	(00000000- ) Pin, Clevis, 0.62 D X 2.12l	2
	19	1022624	(00000000- ) Housing, Head, 65cm Cyl, Mach	1
	20	1025580	(00000000- ) Cap, Plstc, Pf12	2
	21	33584	(00000000- ) Clamp, Cable, Stl, 0.63d X 0.50w, 1h	2
	22	1034731	(00000000- ) Screw, Hex, M6 X 1.00 X 16, Sems, Ss	2
	23	1020341	(00000000- ) Screw, Hex, M8 X 1.25 X 20, Sems, Ss	3
	24	1046049	(00000000- ) Tube Assy, Bar, Spray	1
	25	64743	(00000000- ) Fitting, Plstc, Str, Bm08/Pm06	1
	26	222692	(00000000- ) Screw, Flt, M8 X1.25 X 25, Ss, 18- 8, NI	4
	27	1036245	(10383861- ) Retainer, Blade, Sqge, Side, Blk, Nyl	2
	28	1026292	(00000000- ) Skirt, Side, Scb, Cyl	2
	29	N/A	(00000000- 10383860 ) (Replaced By Item #27)	4
▽		1057922	(00000000- ) Door Assy, Cyl Head	2
▲	30	390996	(00000000- ) Screw, Flt, M10 X 1.5 X 20, 10.9, NI	1
▲	31	1044145	(00000000- ) Door, Brush	1
▲	32	01516	(00000000- ) Ring, Retaining, Ext, 0.59d, Basic	1
▲	33	222184	(00000000- ) Pin, Roll, .094 D X 0.25l, .094/.097	1
▲	34	222177	(00000000- ) Shaft, Idler Plug	1
▲	35	1057629	(00000000- ) Plug, Idler, Brush [Sgl Brg]	1
	36	08713	(10383861- ) Nut, Hex, Lock, M8 X 1.25, NI, Ss	4
	37	578769	(00000000- ) Label, Moving Parts	2
	38	222178	(00000000- ) Roller, Pyu, 1.88d 0.53b 3.05l	2
	39	578421	(00000000- ) Pin, Cotter, .125d X 1.00l	2
	40	222196	(00000000- ) Pin, Clevis, 0.50 D X 4.25l	2
	41	1031370	(00000000- ) Wire, 12 Awg X 250mm	1
	42	07785	(00000000- ) Nut, Hex, Std, M6 X 1.0, A2, Ss	4
	43	1023536	(00000000- ) Lip, Tray, Debris, Scrubhead, 65cm	1
	44	1025272	(00000000- ) Skirt, Tray, Debris, 65cm	1
	45	01684	(00000000- ) Washer, Flat, 0.27b 0.69d .05, Ss	4
	46	374006	(00000000- ) Channel, Nyl, 0.5h 0.27w 29.0l	1

▽ ASSEMBLY

▲ INCLUDED IN ASSEMBLY

# STANDARD PARTS

## SCRUB HEAD GROUP, CYLINDRICAL 32 in / 800 mm



**STANDARD PARTS****SCRUB HEAD GROUP, CYLINDRICAL 32 in / 800 mm**

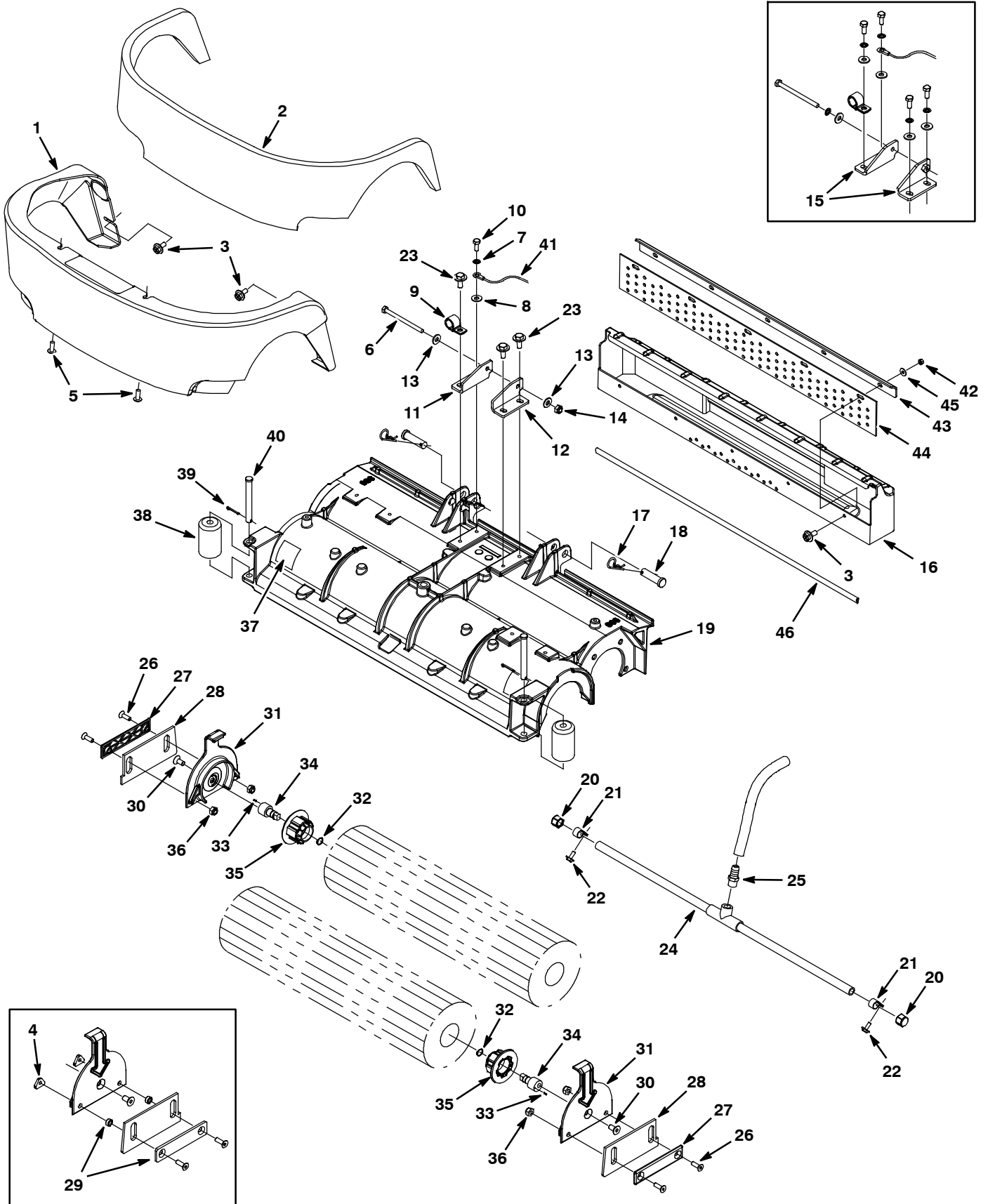
Ref.	Part No.	Serial Number	Description	Qty.	
1	222692	(00000000-	) Screw, Flt, M8 X1.25 X 25, Ss, 18- 8, NI	4	
2	1036245	(10353861-	) Retainer, Blade, Sqge, Side, Blk, Nyl	2	
3	1026292	(00000000-	) Skirt, Side, Scb, Cyl	2	
4	N/A	(00000000- 10353860	) (Replaced By Item #2)	4	
5	1034731	(00000000-	) Screw, Hex, M6 X 1.00 X 16, Sems, Ss	8	
▽	6	1042228	(10419662-	) Motor, Ele, 24vdc 1500rpm 0.75hp 23.0a	2
▲		1049739	(10419662-	) Brush Kit, Carbon, Motor, Replmt [4pcs]	2
7	1022807	(00000000-	) Cover, Belt	2	
8	1035888	(10338658-	) Belt, Drive, 6Grv, 508l X 14w, [6Pj]	2	
9	1020341	(00000000-	) Screw, Hex, M8 X 1.25 X 20, Sems, Ss	16	
10	01685	(00000000-	) Washer, Flat, 0.31 Ss	4	
11	1035173	(10338658-	) Sheave, 06Grv, 2.96pd, 0.59b, Alm [Pj]	2	
12	00961	(00000000-	) Key, Sq, 0.19 X 0.19, 0.50l	2	
13	1033528	(10338658-	) Sheave, 06Grv, 1.33pd, 0.50b, Alm [Pj]	2	
14	222818	(00000000-	) Screw, Set, #08- 32 X 0.25, NI	4	
15	1022401	(00000000-	) Gasket, Cover, Belt	2	
16	41360	(00000000-	) Bearing, Ball, 0.59b 1.26d 0.35w [2seal]	4	
17	1002077	(00000000-	) Spacer, 0.59b 0.81d 0.50l	2	
18	1021036	(00000000-	) Bracket, Motor, Machined	2	
19	00911	(00000000-	) Key, Sq, 0.19 X 0.19, 0.75l	2	
20	1021050	(00000000-	) Shaft, Drive	2	
21	378805	(00000000-	) Plug, Drive, Brush, Mach	2	
22	1029358	(00000000-	) Deflector, Water, Cyl Head	1	
▽	23	604980	(00000000- 10419661	) Motor, Ele, 24vdc 1500rpm 0.75hp 23.0a (Replaced By 1050369)	2
▲		190152	(00000000- 10419661	) Brush, Carbon [Pk=4]	2
▲		605305	(00000000- 10419661	) Spring, Motor, F/ Carbon Brush	8
24	606795	(00000000- 10419661	) Harness Motor Cyl- Brush	2	
25	140027	(00000000- 10419661	) Washer, Flat, 0.35b 0.75d .04, Ss	4	
26	43952	(00000000- 10419661	) Washer, Lock, Int, 0.31 Ss	4	
27	608964	(00000000- 10419661	) Boot, 90deg .27id 0.64id 1.79l, Blk	4	
28	08713	(00000000-	) Nut, Hex, Lock, M8 X 1.25, NI, Ss	2	
29	1025026	(00000000-	) Screw, Hex, M8 X 1.25 X 180, Ss	2	
30	1044386	(00000000-	) Bracket, Mtg, Motor	2	
31	1044386	(00000000-	) Stud, Adj, M16, Scrub Head	1	
32	763066	(00000000-	) Nut, Hex, Jam, M16 X 2.0	1	
33	578717	(00000000-	) Screw, Hex, M8 X 1.25 X 50, Ss	2	
34	07786	(00000000-	) Nut, Hex, Std, M8 X 1.25, Ss	2	
35	1025039	(00000000-	) Housing, Head, 80cm Cyl, Mach	1	
36	1024636	(00000000- 10338657	) Sprocket, 48t, 5p V2	2	
37	375195	(00000000- 10338657	) Sprocket, Timing, 22tooth, 0.50b, [Gt/2]	2	
38	377500	(00000000- 10338657	) Belt,Synchronous, 500l,15mm [05p,Plychn]	2	
39	1052895	(10409662-	) Harness, Adapter, Motor [T7/T5]	1	

▽ ASSEMBLY

▲ INCLUDED IN ASSEMBLY

# STANDARD PARTS

## SCRUB HEAD GROUP, CYLINDRICAL 32 in / 800 mm - CONT'D





**STANDARD PARTS****SCRUB HEAD GROUP, CYLINDRICAL 32 in / 800 mm - CONT'D**

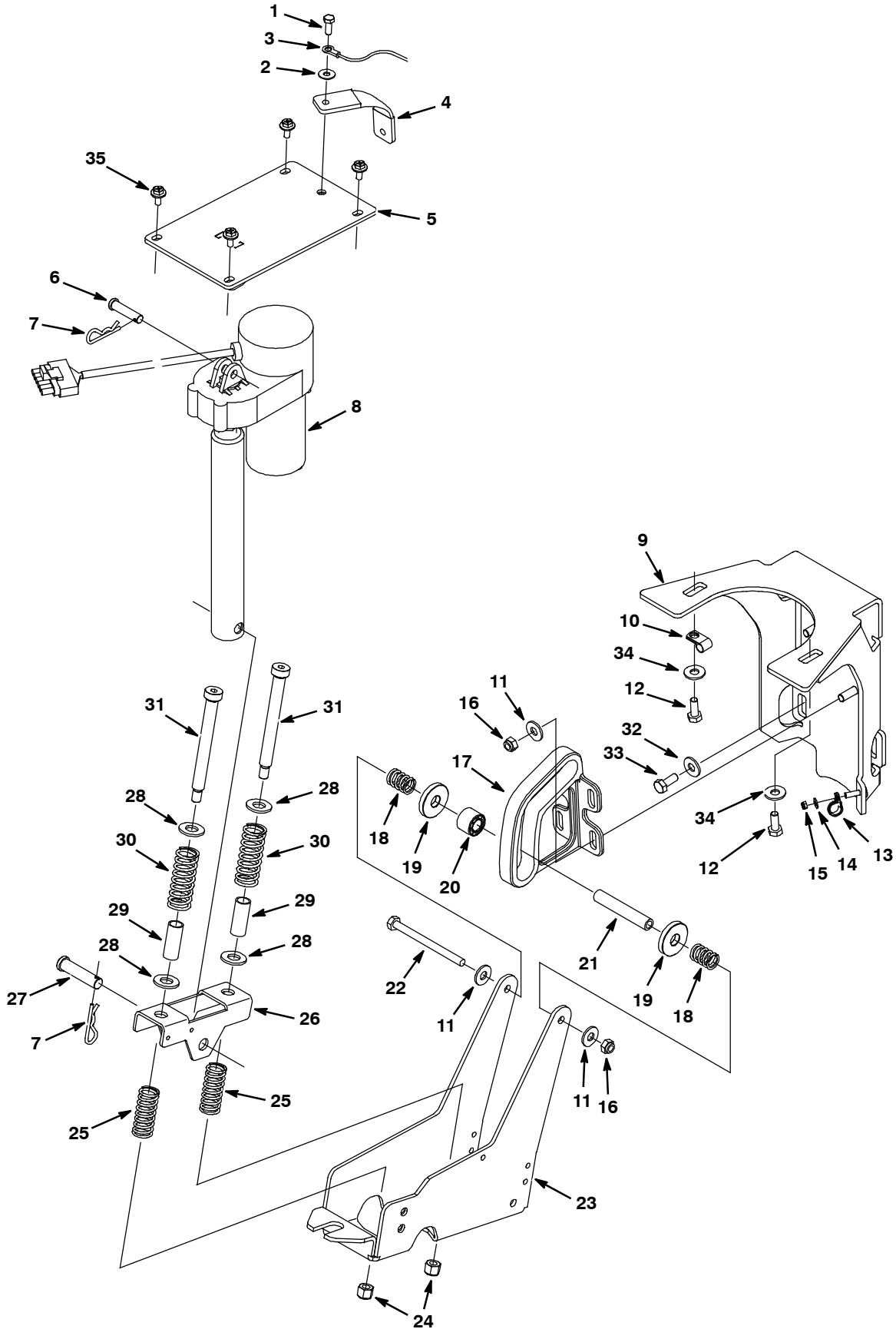
Ref.	Part No.	Serial Number	Description	Qty.
▽	1	9002677	(00000000- ) Kit, Cover, Cyl- Head	1
▲	2	1024940	(00000000- ) Insulation, Sound, Front, Cyl Head	1
	3	1034731	(00000000- ) Screw, Hex, M6 X 1.00 X 16, Sems, Ss	7
	4	N/A	(00000000- 10353860 ) (Replaced By Item #32)	4
	5	608322	(00000000- ) Screw, Trs, M6 X 1.0 X 16, Phl, Ss	2
	6	364441	(00000000- ) Screw, Hex, M8 X 1.25 X 110, Ss	1
	7	43952	(00000000- ) Washer, Lock, Int, 0.31 Ss	1
	8	01685	(00000000- ) Washer, Flat, 0.31 Ss	1
	9	140314	(00000000- ) Clamp, Cable, Stl, 0.75d X 0.75w, 1h, Yl	1
	10	12273	(00000000- ) Screw, Hex, M8 X 1.25 X 20, Ss, NI	1
	11	1036032	(10330480- ) Bracket, Lift, Head, Rh	1
	12	1036025	(10330480- ) Bracket, Lift, Head, Lh	1
	13	01685	(10330480- ) Washer, Flat, 0.38b 0.88d .08, Ss	1
	14	08713	(10330480- ) Nut, Hex, Lock, M8 X 1.25, NI, Ss	1
	15	N/A	(00000000- 10330479 ) (Replaced By Items #11, 12, 13, & 14)	1
	16	1025127	(00000000- ) Hopper, 80cm [Rm]	1
	17	02942	(00000000- ) Pin, Hair Cotter, 0.62 D .120 Wir	2
	18	222210	(00000000- ) Pin, Clevis, 0.62 D X 2.12l	2
	19	1025039	(00000000- ) Housing, Head, 80cm Cyl, Mach	1
	20	1025580	(00000000- ) Cap, Plstc, Pf12	2
	21	33584	(00000000- ) Clamp, Cable, Stl, 0.63d X 0.50w, 1h	2
	22	1034731	(00000000- ) Screw, Hex, M6 X 1.00 X 16, Sems, Ss	2
	23	1020341	(00000000- ) Screw, Hex, M8 X 1.25 X 20, Sems, Ss	3
	24	1025276	(00000000- ) Tube Assy, Bar, Spray [85cm]	1
	25	64743	(00000000- ) Fitting, Plstc, Str, Bm08/Pm06	1
	26	222692	(00000000- ) Screw, Flt, M8 X1.25 X 25, Ss, 18- 8, NI	4
	27	1036245	(10353861- ) Retainer, Blade, Sqge, Side, Blk, Nyl	2
	28	1026292	(00000000- ) Skirt, Side, Scb, Cyl	2
	29	N/A	(00000000- 10353860 ) (Replaced By Item #27)	4
▽		1057922	(00000000- ) Door Assy, Cyl Head	2
▲	30	390996	(00000000- ) Screw, Flt, M10 X 1.5 X 20, 10.9, NI	1
▲	31	1044145	(00000000- ) Door, Brush	1
▲	32	01516	(00000000- ) Ring, Retaining, Ext, 0.59d, Basic	1
▲	33	222184	(00000000- ) Pin, Roll, .094 D X 0.25l, .094/.097	1
▲	34	222177	(00000000- ) Shaft, Idler Plug	1
▲	35	1057629	(00000000- ) Plug, Idler, Brush [Sgl Brg]	1
	36	08713	(10383861- ) Nut, Hex, Lock, M8 X 1.25, NI, Ss	4
	37	578769	(00000000- ) Label, Moving Parts	2
	38	222178	(00000000- ) Roller, Pyu, 1.88d 0.53b 3.05l	2
	39	578421	(00000000- ) Pin, Cotter, .125d X 1.00l	2
	40	222196	(00000000- ) Pin, Clevis, 0.50 D X 4.25l	2
	41	1031370	(00000000- ) Wire, 12 Awg X 250mm	1
	42	07785	(00000000- ) Nut, Hex, Std, M6 X 1.0, A2, Ss	5
	43	1025150	(00000000- ) Lip, Tray, Debris, Scrubhead, 80cm	1
	44	1025273	(00000000- ) Skirt, Tray, Debris, 80cm	1
	45	01684	(00000000- ) Washer, Flat, 0.25 Ss	4
	46	374007	(00000000- ) Channel, .18, 0.3w 0.5 33.0l	1

▽ ASSEMBLY

▲ INCLUDED IN ASSEMBLY

# STANDARD PARTS

## SCRUBHEAD LIFT GROUP

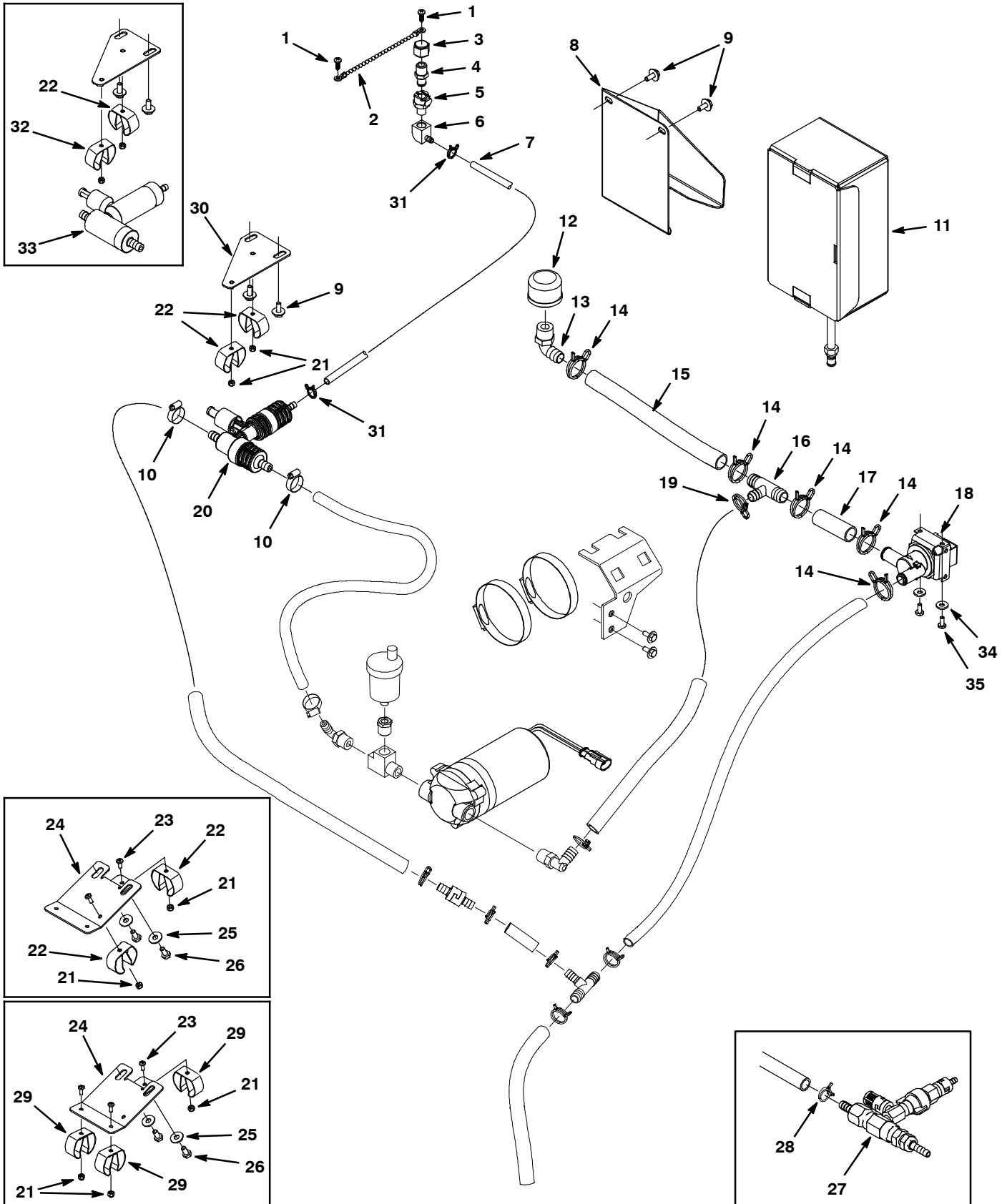


**STANDARD PARTS****SCRUBHEAD LIFT GROUP**

Ref.	Part No.	Serial Number	Description	Qty.
1	11329	(00000000-	) Screw, Hex, M6 X 1.0 X 16, Ss, NI	1
2	01684	(00000000-	) Washer, Flat, 0.25 Ss	1
3	1029310	(00000000-	) Harness, Ground, 12 Awg	1
4	1029051	(00000000-	) Strap, Static, Controller	1
5	1022913	(00000000-	) Bracket Wldt, Actuator, Upper	1
6	29558	(00000000-	) Pin, Clevis, 0.37 D X 1.50l	1
7	140626	(00000000-	) Pin, Hair Cotter, 0.25 D .125 Wir	2
8	1023035	(00000000-	) Actuator, 24vdc, 6.0 Strk, 600lb	1
9	1049367	(00000000-	) Bracket, Sppt, Guide, Rlr	1
10	40678	(00000000-	) Clamp, Cable, Stl, 0.44d X 0.62w, 1h	1
11	01685	(00000000-	) Washer, Flat, 0.31 Ss	6
12	12273	(00000000-	) Screw, Hex, M8 X 1.25 X 20, Ss, NI	2
13	33584	(00000000-	) Clamp, Cable, Stl, 0.63d X 0.50w, 1hole	1
14	01683	(00000000-	) Washer, Flat, #10 Ss	1
15	09739	(00000000-	) Nut, Hex, Lock, M5 X 0.8, NI, Ss	1
16	08713	(00000000-	) Nut, Hex, Lock, M8 X 1.25, NI, Ss	5
17	1023592	(00000000-	) Bracket, Guide, Rlr, Head Lift, Brz [T5]	1
18	607920	(00000000-	) Spring, Cmpr, 18.3d, 2.4w, 25.4l Mw	2
19	607568	(00000000-	) Washer, P/M, 1.500d, 0.500b 0.25l Bnz	2
20	1023658	(00000000-	) Roller, Linkage, Head Lift	1
21	1023653	(00000000-	) Shaft, Rlr, Head- Lift	1
22	386299	(00000000-	) Screw, Hex, M8 X 1.25 X 100, Ss	1
23	1024911	(00000000-	) Bracket, Roller, Scrubhead, Sheet Metal	1
24	59156	(00000000-	) Nut, Hex, Lock, .38- 16, NI, Ss	2
25	63185	(00000000-	) Spring, Cmpr, 0.85od .09wir 2.0l	2
26	1023575	(00000000-	) Bracket, Spring, Down Press	1
27	51534	(00000000-	) Pin, Clevis, 0.50 D X 2.00l	1
28	32486	(00000000-	) Washer, Flat, 0.50 Sae	4
29	1024969	(00000000-	) Sleeve, P/M, 0.629d 09.5	2
30	45261	(00000000-	) Spring, Cmpr, 0.97od .11wir 2.5l	2
31	45960	(00000000-	) Bolt, Shld, .50d X 4.25, .38- 16	2
32	1016331	(00000000-	) Washer, Flat, 0.34b 1.25d .11, Ss	2
33	12333	(00000000-	) Screw, Hex, M8 X 1.25 X 25, Ss, NI	2
34	69461	(00000000-	) Washer, Flat, 0.38b 0.88d .12, Stl, Pl	2
35	1034731	(00000000-	) Screw, Hex, M6 X 1.00 X 16, Sems, Ss	4

# STANDARD PARTS

## SOLUTION GROUP, FaST MODEL

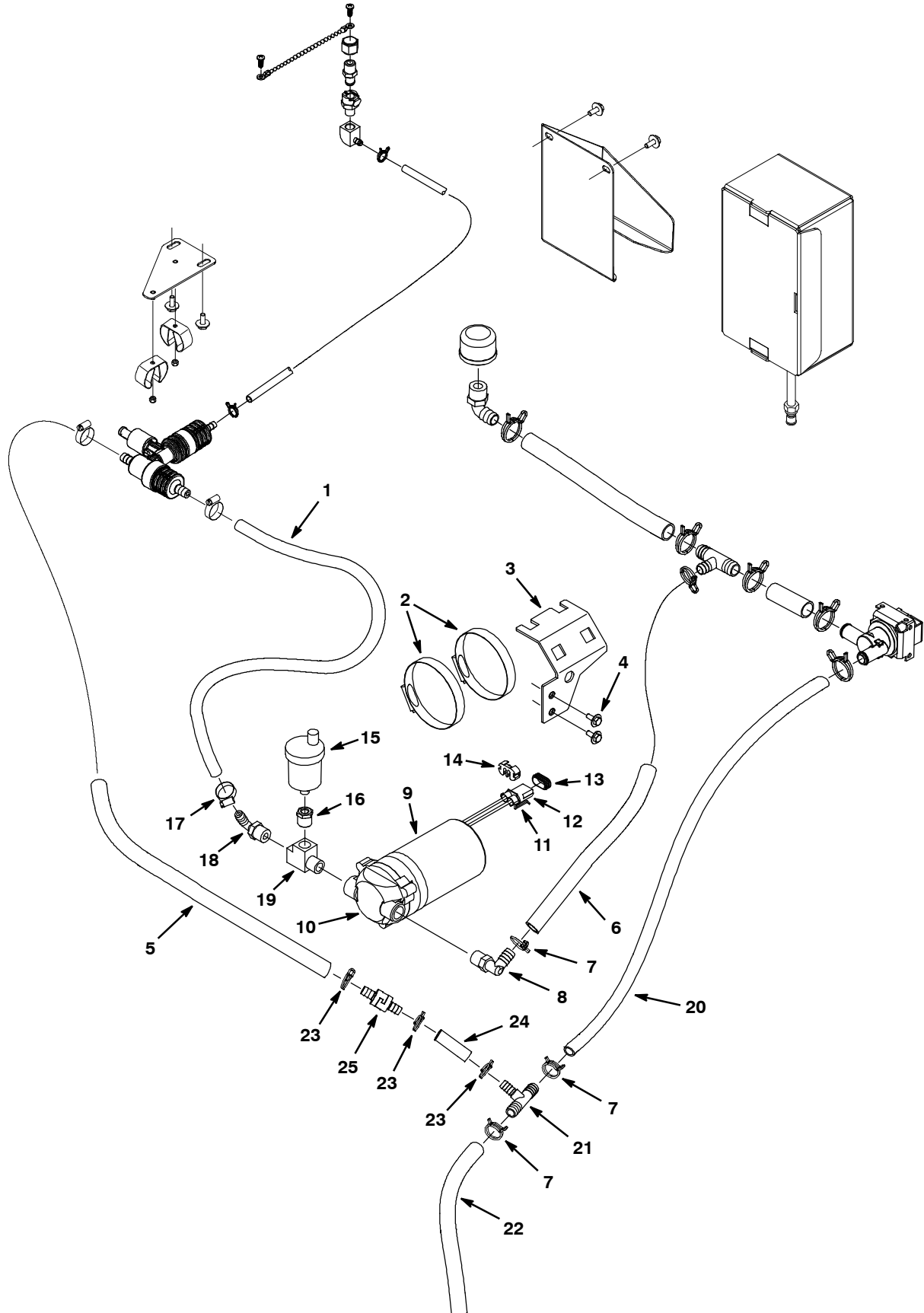


**STANDARD PARTS****SOLUTION GROUP, FaST MODEL**

Ref.	Part No.	Serial Number	Description	Qty.
1	1018155	(00000000-	) Screw, Pan, M5 X 0.8 X16, Ss, Tcut	2
2	621443	(00000000-	) Chain, Ball, #10 X 157l, Ss	1
3	1005435	(00000000-	) Fitting, Plstc, Cap, Pf04, Pipe	1
4	1002899	(00000000-	) Fitting, Plstc, Str, Pm04, Cplg, Mal	1
5	1029262	(00000000-	) Fitting, Plstc, Str, Pf04, Cplg, Fem	1
6	1028773	(00000000-	) Fitting, Brs, E90, Pf04/Bm04	1
7	1006415	(00000000-	) Hose, Afmkt, Pvc, Clr 0.25id 3ft	1
8	1036339	(00000000-	) Bracket, Mtg, Detgt [T5]	1
9	1034731	(10369603-	) Screw, Hex, M6 X 1.00 X 16, Sems, Ss	4
10	54333	(00000000-	) Clamp, Hose, Wormdrive, 0.31- 0.88d, .31w	3
11	1017015	(00000000-	) Detergent Pkg, 2 Liter, Sgl [365] (Standard)	1
11	1017022	(00000000-	) Detergent Pkg, 2 Liter, Sgl [665] (Optional)	1
11	9002021	(00000000-	) Fast 965 2 Ltr, Detergent (Optional)	1
12	1015522	(00000000-	) Filter, Screen, 080 Mesh, Pf08, Ss	1
13	630371	(00000000-	) Fitting, Plstc, E90, Bm10/Pm08	1
14	1041978	(00000000-	) Clamp, Hose, Wir, .85 - .90, Silver	5
15	1035355	(00000000-	) Hose, Afmkt, Pvc, Clr, 0.62id, 02ft	1
16	1015486	(00000000-	) Fitting, Plstc, Tee, Bm10/Bm08/Bm10	1
17	605099	(00000000-	) Hose, Pvc, Clr, 0.62id 0.88od 3.0l	1
18	1059224	(00000000-	) Valve, Water, Solenoid, 24vdc, Bm10/Bm10	1
19	607776	(00000000-	) Clamp, Hose, Wire, .73 - .77, Silver	1
20	9008847	(10538043-	) Fast Kit, Injector[T5 60/65cm, Fast Iii]	1
21	33932	(10347532-	) Nut, Hex, Lock, M4 X 0.7, NI, Ss	2
21	33932	(00000000- 10347531	) Nut, Hex, Lock, M4 X 0.7, NI, Ss	3
22	573073	(10538043-	) Clip, Grip, Hose, 1.00- 1.38, Zn (600 mm Disk & 650 mm Cyl Models)	2
22	573073	(10347532-	) Clip, Grip, Hose, 1.00- 1.38, Zn (700 mm/800 mm Disk & 800 mm Cyl Models)	1
23	49697	(10347532- 10369602	) Screw, Pan, M4 X 0.7 X 10, Ss	2
23	49697	(00000000- 10347531	) Screw, Pan, M4 X 0.7 X 10, Ss	3
24	N/A	(00000000- 10369602	) (Replaced By Item #30)	1
25	01684	(00000000- 10369602	) Washer, Flat, 0.25 Ss	2
26	11635	(00000000- 10369602	) Screw, Hex, M6 X 1.0 X 12, Ss, NI	2
27	9003810	(00000000- 10348537	) Fast Kit, Conv, Ci[T5 60/65Cm, FaST II+] (600mm Disk & 650mm Cyl Models) (See Breakdowns)	1
27	9003812	(00000000- 10347531	) Fast Kit, Conv, Ci[T5 70/80Cm, Fast II+] (700mm/800mm Disk & 800mm Cyl Models) (See Breakdowns)	1
28	607775	(00000000- 10348537	) Clamp, Hose, Wir, .63 - .66, Blk	1
29	1014295	(00000000- 10347531	) Clip, Spring, Holder, Blk Vyl Coated	3
30	1040982	(10369603-	) Plate, Mtg, Injector [T5/Ss5 Fast Ii+]	1
31	613735	(00000000-	) Clamp, Hose, Wir, .40 - .42, Yel	2
32	1014295	(00000000-	) Clip, Grip, Hose, 0.75- 1.12, Stl,Blk Vyl (700 mm/800 mm Disk & 800 mm Cyl Models)	1
33	9003907	(10348538- 10538042	) Fast Kit, Injector[T5 60/65Cm, Fast II+] (See Breakdowns) (Replaced by 9008847)	1
33	9003908	(10347532-	) Fast Kit, Injector[T5 70/80Cm, Fast II+] (See Breakdowns)	1
34	01683	(00000000-	) Washer, Flat, 10, Ss	2
35	09200	(00000000-	) Screw, Pan, Phl, M5 X 0.80 X 12, Ss	2

# STANDARD PARTS

## SOLUTION GROUP, FaST MODEL - CONT'D



**STANDARD PARTS****SOLUTION GROUP, FaST MODEL - CONT'D**

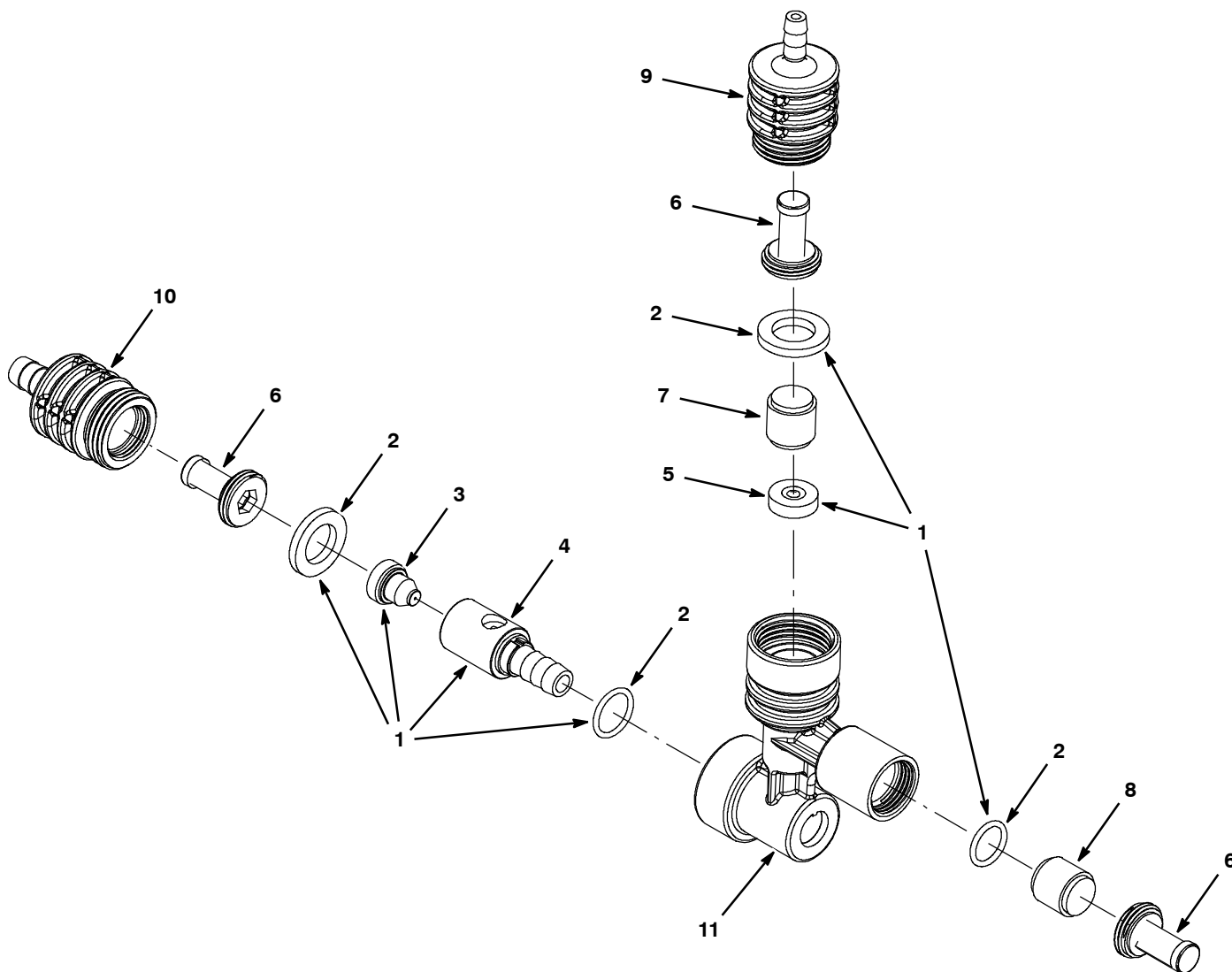
Ref.	Part No.	Serial Number	Description	Qty.	
1	9002542	(00000000-	) Hose, .38id X 0.6od Pvc 376720 Ft 3.5	1	
2	43555	(00000000-	) Clamp, Hose, Wormdrive, 2.50- 3.50d, .50w	2	
3	1023463	(00000000-	) Bracket, Mtg, Pump	1	
4	1034731	(00000000-	) Screw, Hex, M6 X 1.00 X 16, Sems, Ss	2	
5	9004748	(00000000-	) Hose, Pyu, Clr, 0.38id 0.62od 42l	1	
6	613521	(00000000-	) Tubing 1/2idx3/4od Vnyl 611259 Ft 1.000	1	
7	607776	(00000000-	) Clamp, Hose, Wire, .73 - .77, Silver	3	
8	1017532	(00000000-	) Fitting, Plstc, E90, Bm08/Pm06	1	
▽	9	1014282	(00000000-	) Pump, Soltn, Ele, 24vdc, 60psi, Packard	1
▲	10	9001240	(00000000-	) Pump Kit, Head, Soltn	1
▲	11	78950	(00000000-	) Connector, Fem, 02cav, Mp280 Sealed	1
▲	12	78951	(00000000-	) Terminal, Fem, Mp280, Sealed, 18- 16ga	1
▲	13	10917	(00000000-	) Seal, Wire, 14/16ga [Wp / Mp280 Sealed]	1
▲	14	78952	(00000000-	) Lock, Secondary, 2cav, Mp280 Sealed	1
	15	1017386	(00000000-	) Valve, Air Vent, Float Type	1
	16	24698	(00000000-	) Fitting, Brs, Str, Pf02/Pm06	1
	17	54333	(00000000-	) Clamp, Hose, Wormdrive, 0.31- 0.88d, .31w	1
	18	1005630	(00000000-	) Fitting, Plstc, E90, Bm06/Pm06, Nyl	1
	19	601483	(00000000-	) Fitting, Brs, Tee, Pm06/Pf06, Strt, T	1
	20	613531	(00000000-	) Tubing 1/2idx3/4od Vinyl 611259 Ft 3.750	1
	21	630372	(00000000-	) Fitting, Plstc, Tee, Bm08/Bm06/Bm08	1
	22	613521	(00000000-	) Tubing 1/2idx3/4od Vnyl 611259 Ft 1.000	1
	23	607775	(00000000-	) Clamp, Hose, Wir, .63 - .66, Blk	3
	24	606362	(00000000-	) Hose 3/8idx5/8odx6.5 (611254)	1
	25	1015455	(00000000-	) Valve, Check, 0005 Psi, Bm06/Bm06 (600mm Disk & 650mm Cyl Models)	1
	25	1015455	(10582617-	) Valve, Check, 0005 Psi, Bm06/Bm06 (700mm/800mm Disk & 800mm Cyl Models)	1
	25	1040501	(10347532- 10582616 )	) Valve, Check, 0015 Psi, Bm06/Bm06 (700mm/800mm Disk & 800mm Cyl Models)	1
	25	1015455	(00000000- 10347531 )	) Valve, Check, 0005 Psi, Bm06/Bm06 (700mm/800mm Disk & 800mm Cyl Models)	1

▽ ASSEMBLY

▲ INCLUDED IN ASSEMBLY

## STANDARD PARTS

### 9008847 FAST INJECTOR ASSEMBLY BREAKDOWN (S/N 10538043- ), 600 mm DISK & 650 mm CYLINDRICAL MODELS



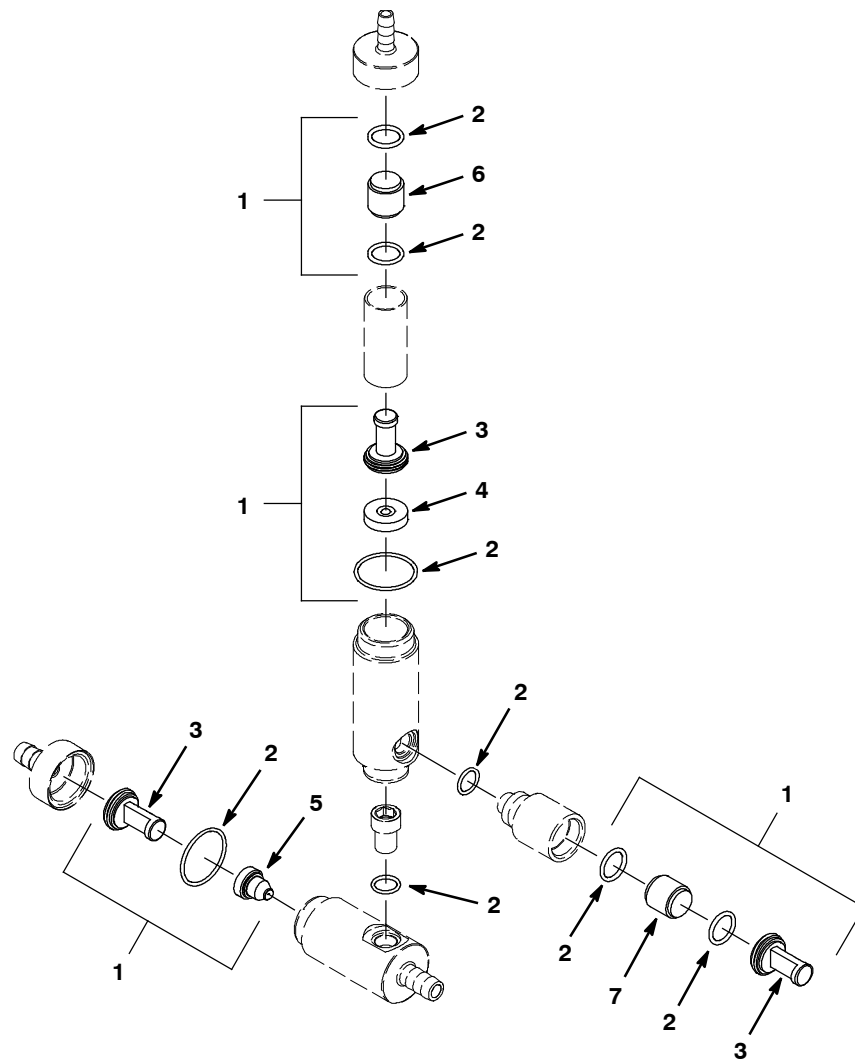
Ref.	Part No.	Serial Number	Description	Qty.	
▽	9008847	(10538043-	) Fast Kit, Injector[T5 60/65cm, Fast Iii]	1	
▲▽	1	9003811	(10538043-	) Fast Kit, Ci[Inj Rebl, T5 60/65cm, li+]	1
▲▲	2	9008848	(10538043-	) Fast Kit, Seal, Injector, Ci [Fast Iii]	1
▲▲	3	1039989	(10348538-	) Plug, Orifice, 0.030, Ss [Fast li+]	1
▲▲	4	1059250	(10538043-	) Insert, Venturi, Medium, [Fast Iii]	1
▲▲	5	1059869	(10538043-	) Plate Assy, Orifice, 0.007id, Red	1
▲	6	9003009	(10348538-	) Fast Kit, Ci, Injector Filters[Fast li+]	1
▲	7	1030444	(10348538-	) Valve, Check, 0002psi [Fast li+]	1
▲	8	1030441	(10348538-	) Valve, Check, 0005psi [Fast li+]	1
▲	9	1058126	(10538043-	) Housing, Fltr, Upper [Fast Iii]	1
▲	10	1057811	(10538043-	) Housing, Fltr, Lower [Fast Iii]	1
▲	11	1053564	(10538043-	) Housing, Body, Injector [Fast Iii]	1

▽ ASSEMBLY

▲ INCLUDED IN ASSEMBLY



**9003907 FAST INJECTOR ASSEMBLY BREAKDOWN (S/N 10348538- 10538042)  
600 mm DISK & 650 mm CYLINDRICAL MODELS**



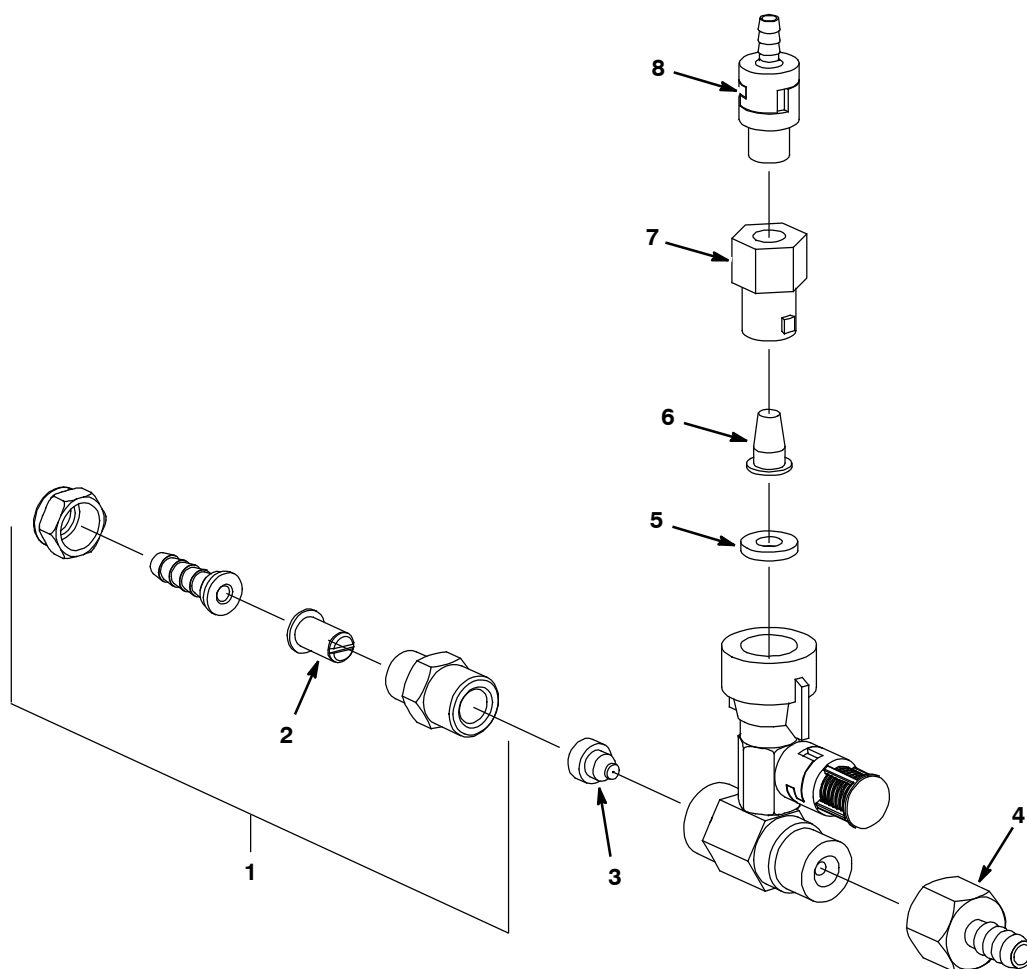
Ref.	Part No.	Serial Number	Description	Qty.
▽	9003907	(10348538- 10538042 )	Fast Kit, Injector[T5 60/65cm, Fast li+]	1
▲	1	9003811 (10348538- 10538042 )	Fast Kit, Ci[Inj Reblid, T5 60/65cm, li+]	1
▲	2	9003008 (10348538- 10538042 )	Fast Kit, Ci, Injector Seals [Fast li+]	1
▲	3	9003009 (10348538- )	Fast Kit, Ci, Injector Filters[Fast li+]	1
▲	4	1032284 (10348538- 10538042 )	Plate Assy, Orifice, 0.007id, Red	1
▲	5	1039989 (10348538- )	Plug, Orifice, 0.030, Ss [Fast li+]	1
▲	6	1030444 (10348538- )	Valve, Check, 0002psi [Fast li+]	1
▲	7	1030441 (10348538- )	Valve, Check, 0005psi [Fast li+]	1

▽ ASSEMBLY

▲ INCLUDED IN ASSEMBLY

## STANDARD PARTS

### 9003810 FAST INJECTOR ASSEMBLY BREAKDOWN (S/N 00000000- 10348537) 600 mm DISK & 650 mm CYLINDRICAL MODELS



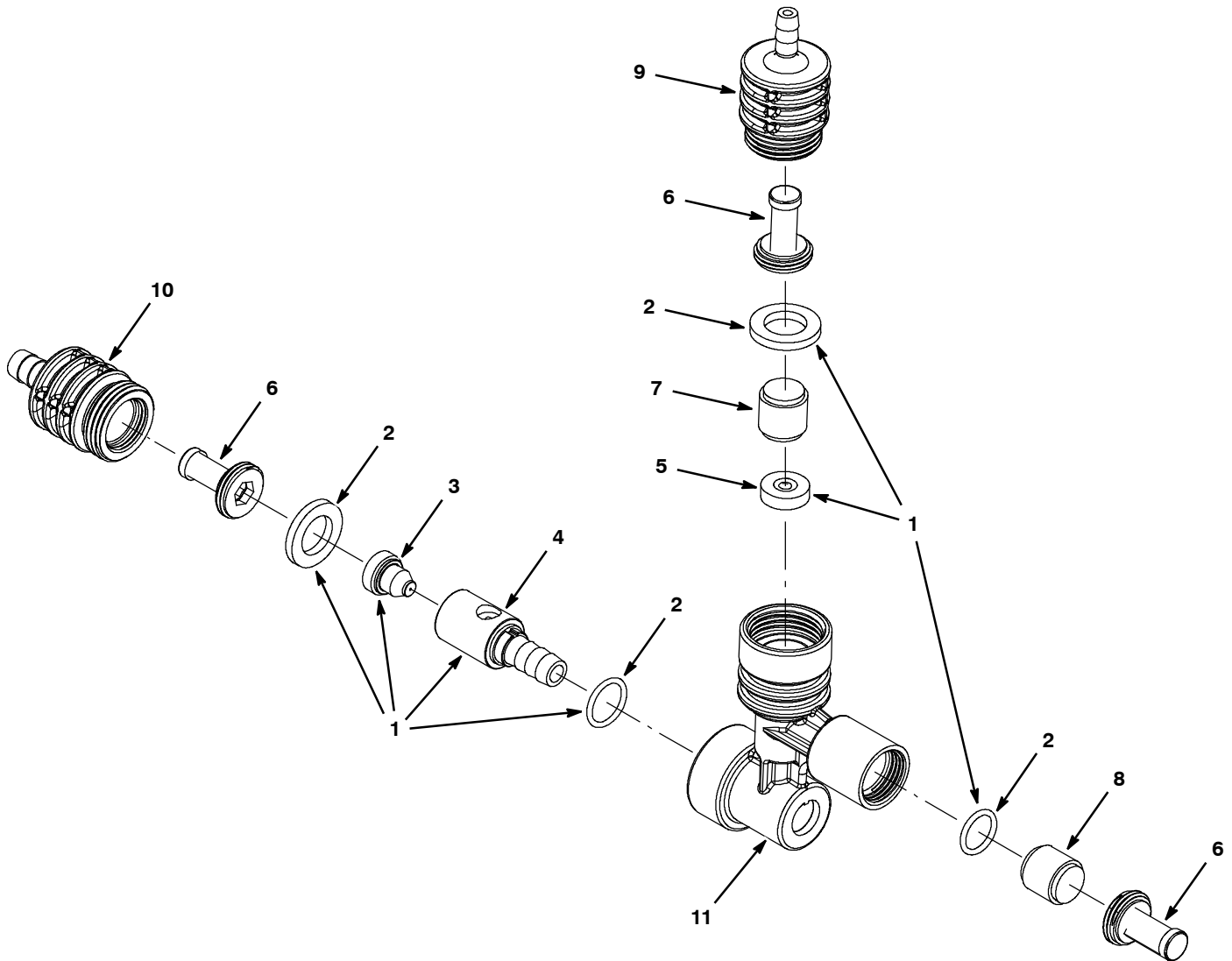
Ref.	Part No.	Serial Number	Description	Qty.
▽	9003810	(00000000- 10348537 )	Fast Kit, Conv, Ci[T5 60/65cm, Fast li+]	1
▲	1	1013411	(00000000- 10348537 ) Filter Assy, 050mesh	1
▲	2	1006447	(00000000- 10348537 ) Vr, Filter, Screen, 050 Mesh .59d .8l Ss	1
	3	1039988	(00000000- 10348537 ) Plug, Orifice, 0.027, Ss [Fast li+]	1
	4	1014276	(00000000- 10348537 ) Fitting, Brs, Str, Bm06/Pf08	1
	5	1032284	(00000000- 10348537 ) Plate Assy, Orifice, 0.007id, Red	1
	6	1029355	(00000000- 10348537 ) Vr, Filter, Screen, 200 Mesh .59d .8l Ss	1
	7	1005507	(00000000- 10348537 ) Fitting, Plstc, Body, Spray, Pf04	1
	8	1014254	(00000000- 10348537 ) Valve, Check, 0002psi Bm04/Pm04	1

▽ ASSEMBLY

▲ INCLUDED IN ASSEMBLY

**STANDARD PARTS**

**9008887 FAST INJECTOR ASSEMBLY BREAKDOWN (S/N 10582617-700 mm / 800 mm DISK & 800 mm CYLINDRICAL MODELS )**



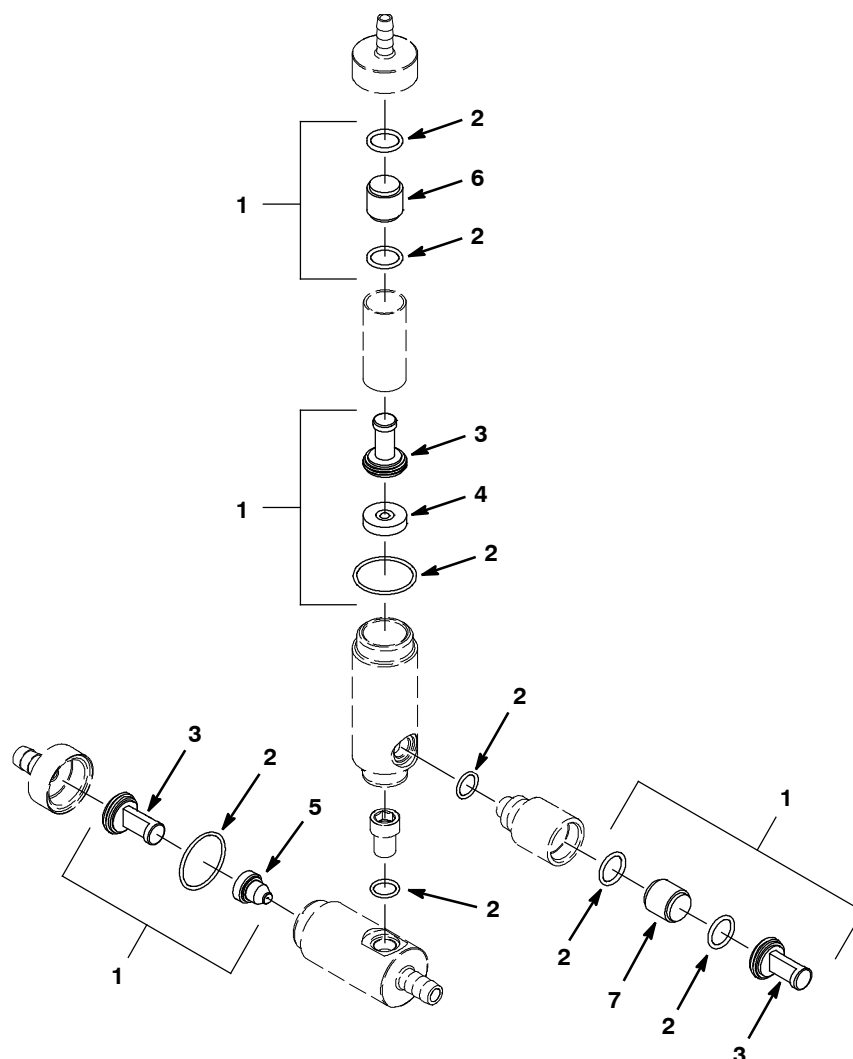
Ref.	Part No.	Serial Number	Description	Qty.	
▽	9008887	(10582617-	) Fast Kit, Injector[T5 70/80cm, Fast Iii]	1	
▲▽	1	9008888	(10582617-	) Fast Kit, Ci[Inj Reblid, T5 70/80cm, Iii]	1
▲▲	2	9008848	(10582617-	) Fast Kit, Seal, Injector, Ci [Fast Iii]	1
▲▲	3	1039579	(10347532-	) Plug, Orifice, 0.033, Ss [Fast Ii+]	1
▲▲	4	1059250	(10582617-	) Insert, Venturi, Medium, [Fast Iii]	1
▲▲	5	1059875	(10582617-	) Plate Assy, Orifice, 0.0075id, Blue	1
▲	6	9003009	(10347532-	) Fast Kit, Ci, Injector Filters[Fast Ii+]	1
▲	7	1030444	(10347532-	) Valve, Check, 0002psi [Fast Ii+]	1
▲	8	1030441	(10347532-	) Valve, Check, 0005psi [Fast Ii+]	1
▲	9	1058126	(10582617-	) Housing, Fltr, Upper [Fast Iii]	1
▲	10	1057811	(10582617-	) Housing, Fltr, Lower [Fast Iii]	1
▲	11	1053564	(10582617-	) Housing, Body, Injector [Fast Iii]	1

▽ ASSEMBLY

▲ INCLUDED IN ASSEMBLY

## STANDARD PARTS

### 9003908 FAST INJECTOR ASSEMBLY BREAKDOWN (S/N 10347532- 10582616) 700 mm / 800 mm DISK & 800 mm CYLINDRICAL MODELS

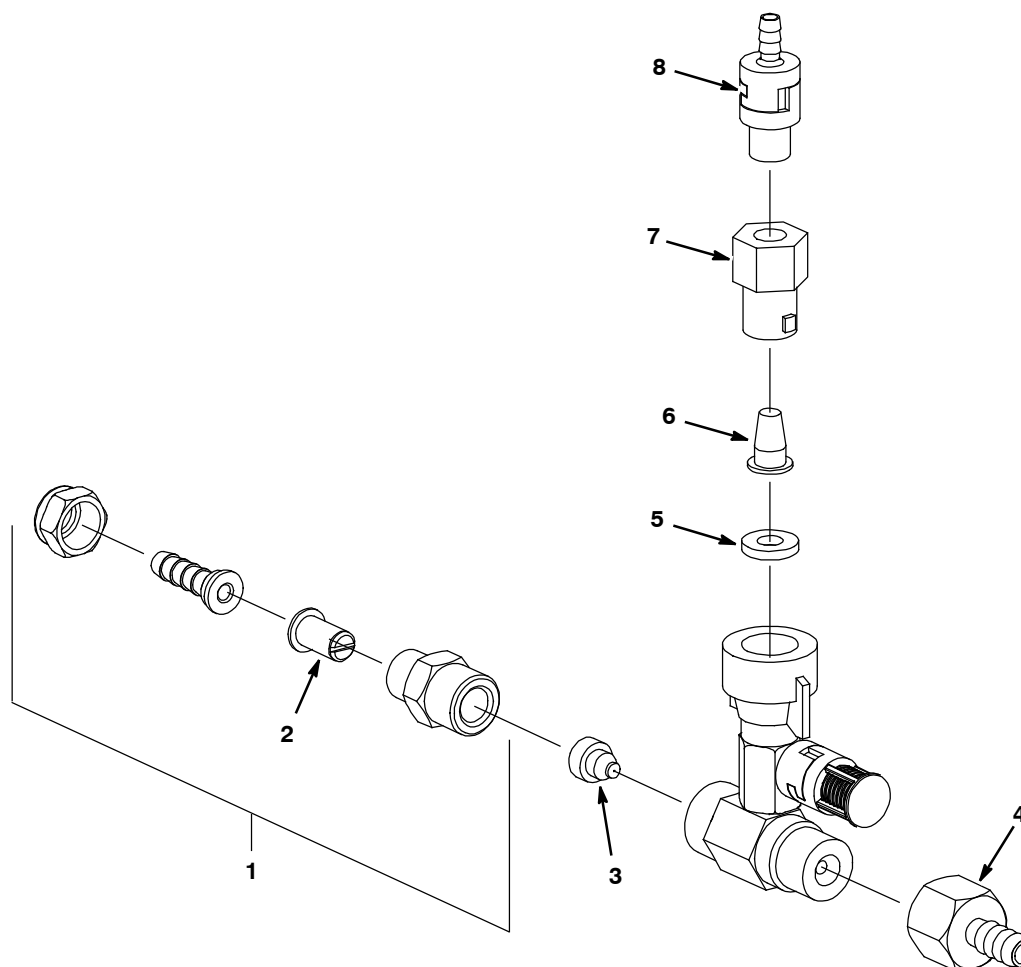


Ref.	Part No.	Serial Number	Description	Qty.
▽	9003908	(10347532- 10582616 )	Fast Kit, Injector[T5 70/80cm, Fast li+]	1
▲	1	9003813	(10347532- 10582616 ) Fast Kit, Ci[Inj Reblid, T5 70/80cm, li+]	1
▲	2	9003008	(10347532- 10582616 ) Fast Kit, Ci, Injector Seals [Fast li+]	1
▲	3	9003009	(10347532- ) Fast Kit, Ci, Injector Filters[Fast li+]	1
▲	4	1039978	(10347532- 10582616 ) Plate Assy, Orifice, 0.0075id, Blu	1
▲	5	1039579	(10347532- ) Plug, Orifice, 0.033, Ss [Fast li+]	1
▲	6	1030444	(10347532- ) Valve, Check, 0002psi [Fast li+]	1
▲	7	1030441	(10347532- ) Valve, Check, 0005psi [Fast li+]	1

▽ ASSEMBLY

▲ INCLUDED IN ASSEMBLY

**9003812 FAST INJECTOR ASSEMBLY BREAKDOWN (S/N 0000000- 10347531)  
700 mm / 800 mm DISK & 800 mm CYLINDRICAL MODELS**



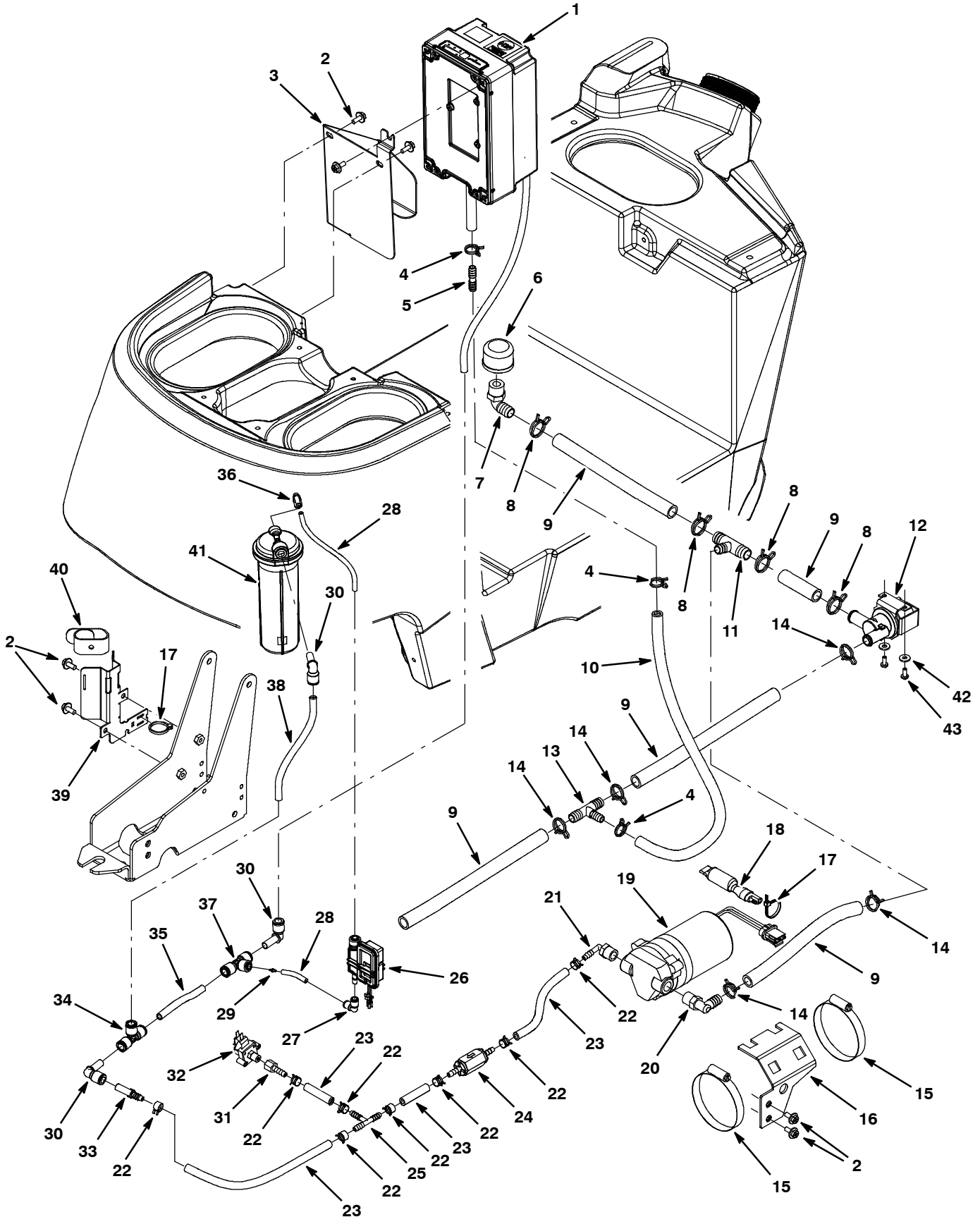
Ref.	Part No.	Serial Number	Description	Qty.
▽	9003812	(00000000- 10347531 )	Fast Kit, Conv, Ci[T5 70/80cm, Fast li+]	1
▲	1	1013411 (00000000- 10347531 )	Filter Assy, 050mesh	1
▲	2	1006447 (00000000- 10347531 )	Vr, Filter, Screen, 050 Mesh .59d .8l Ss	1
	3	1039579 (00000000- 10347531 )	Plug, Orifice, 0.033, Ss [Fast li+]	1
	4	1014276 (00000000- 10347531 )	Fitting, Brs, Str, Bm06/Pf08	1
	5	1039978 (00000000- 10347531 )	Plate Assy, Orifice, 0.0075id, Blu	1
	6	1029355 (00000000- 10347531 )	Vr, Filter, Screen, 200 Mesh .59d .8l Ss	1
	7	1005507 (00000000- 10347531 )	Fitting, Plstc, Body, Spray, Pf04	1
	8	1014254 (00000000- 10347531 )	Valve, Check, 0002psi Bm04/Pm04	1

▽ ASSEMBLY

▲ INCLUDED IN ASSEMBLY

# STANDARD PARTS

SOLUTION GROUP, *ec-H2O* NANOCLEAN MODEL (S/N 10742213- )



**STANDARD PARTS****SOLUTION GROUP, *ec-H2O* NANOCLEAN MODEL (S/N 10742213- )**

Ref.	Part No.	Serial Number	Description	Qty.
1	9011810	(10742213-	) Module Kit, Replmt [Ec- H2o, B 02] (See Breakdown)	1
2	1034731	(10742213-	) Screw, Hex, M6 X 1.00 X 16, Sems, Ss	7
3	1040881	(10742213-	) Bracket, Mtg, Martini [T5]	1
4	607775	(10742213-	) Clamp, Hose, Wir, .63 - .66, Blk	3
5	20950	(10742213-	) Fitting, Plstc, Str, Bm06/Bm06	1
6	1015522	(10742213-	) Filter, Screen, 080mesh, Ss, Pf08	1
7	630371	(10742213-	) Fitting, Plstc, E90, Bm10/Pm08	1
8	1041978	(10742213-	) Clamp, Hose, Wir, .85 - .90, Silver	4
9	613521	(10742213-	) Hose, Pvc, Clr, 0.50id 0.75od 012.0l	1
10	1006400	(10742213-	) Hose, Afmkt, Pvc, Brd, 0.38id, 03ft, Clr	1
11	1015486	(10742213-	) Fitting, Plstc, Tee, Bm08/Bm10/Bm10, Br	1
12	1013599	(10742213-	) Valve, Water, Solenoid, 24vdc Bm10/Bm10	1
13	630372	(10742213-	) Fitting, Plstc, Tee, Bm06/Bm08/Bm08, Br	1
14	607776	(10742213-	) Clamp, Hose, Wir, .73 - .77, Silver	6
15	43555	(10742213-	) Clamp, Hose, Wormdrive, 2.62- 3.50d	2
16	1023463	(10742213-	) Bracket, Mtg, Pump [T5]	1
17	130773	(10742213-	) Tie, Cable, Nyl, 11.0l, .14w, 3.0 Max. D	2
18	1040868	(10742213-	) Capacitor, Plug [.01 Uf, 200v]	1
19	1042495	(10742213-	) Pump, Soltn, Ele, 24vdc, 35psi	1
20	1017532	(10742213-	) Fitting, Plstc, E90, Bm08/Pm06	1
21	150417	(10742213-	) Fitting, Plstc, E90, Bm04/Pm06	1
22	603654	(10742213-	) Clamp, Hose, Ear, .44d [Ctb]	8
23	9014210	(10742213-	) Hose, Afmkt, Pvc, Brd .25id .44od, 05ft	1
24	1216878	(10742213-	) Valve, Check, 0001psi Bm04/Bm04	1
25	150713	(10742213-	) Fitting, Plstc, Tee, Bm04/Bm04/Bm04	1
26	1216973	(10742213-	) Pump Assy, Dispenser	1
27	1217763	(10742213-	) Fitting, Plstc, E90, Qf04/Qf04	1
28	9014211	(10742213-	) Hose, Afmkt, Pvc, Grn .06id .25od, 02ft	1
29	1214972	(10742213-	) Fitting, Orifice, Str, Bm01/Bm/01	1
30	1215186	(10742213-	) Fitting, Plstc, E90, Qf06/Qm06	3
31	150520	(10742213-	) Fitting, Brs, Str, Bm04/Pf02	1
32	1044414	(10742213-	) Switch, Press, 15psi, Pm02	1
33	1212857	(10742213-	) Fitting, Plstc, Str, Qm06/Bm04	1
34	1212573	(10742213-	) Fitting, Plstc, Tee, Qf06/Qf06/Qf06	1
35	1014987	(10742213-	) Hose, Afmkt, Pvc, Clr, 0.25id, 01ft	1
36	1214339	(10742213-	) Fitting, Plstc, E90, Qfo4/Qm04	1
37	1212855	(10742213-	) Fitting, Plstc, Tee, Qf04/Qf06/Qf06	1
38	9014212	(10742213-	) Hose, Afmkt, Pvc, Grn 0.06id .38od, 02ft	1
39	1215755	(10742213-	) Bracket, Mtg, Ec- H2O Wcm [T5 Disk]	1
39	1220598	(10742213-	) Bracket, Mtg, Ec- H2O Wcm [T5 Cyl]	1
40	1059534	(10742213-	) Fastener, 09.00l [Hook & Loop]	1
41	9013646	(10742213-	) Cartridge, Ec- H2o Nanoclean Wcm, 270ml	1
42	01683	(10742213-	) Washer, Flat, 10, Ss	2
43	09200	(10742213-	) Screw, Pan, Phl, M5 X 0.80 X 12, Ss	2

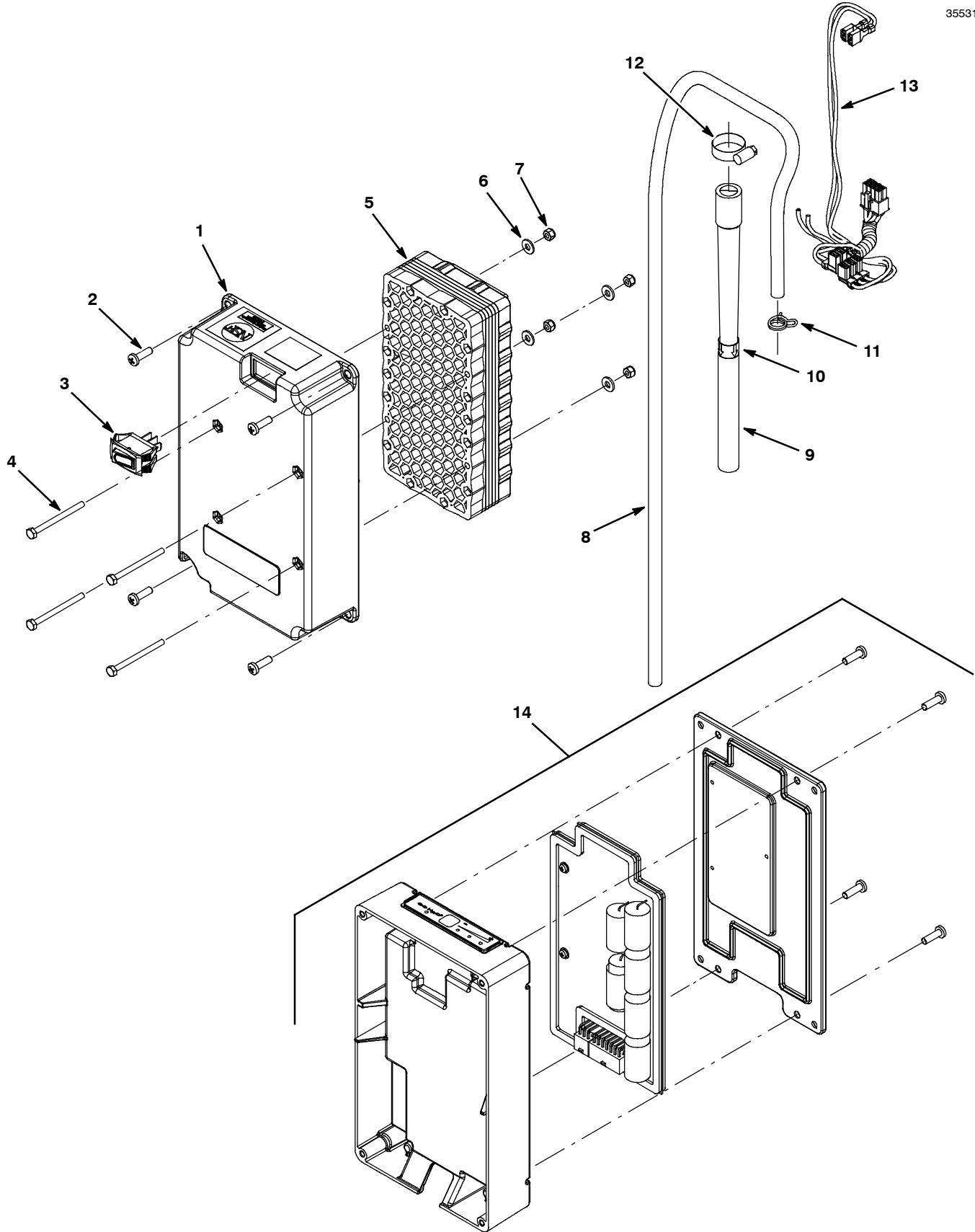
▽ ASSEMBLY

▲ INCLUDED IN ASSEMBLY

# STANDARD PARTS

## ec-H2O NANOCLEAN MODULE BREAKDOWN, 9011810 (S/N 10742213- )

355317





**STANDARD PARTS****ec-H2O NANOCLEAN MODULE BREAKDOWN, 9011810 (S/N 10742213- )**

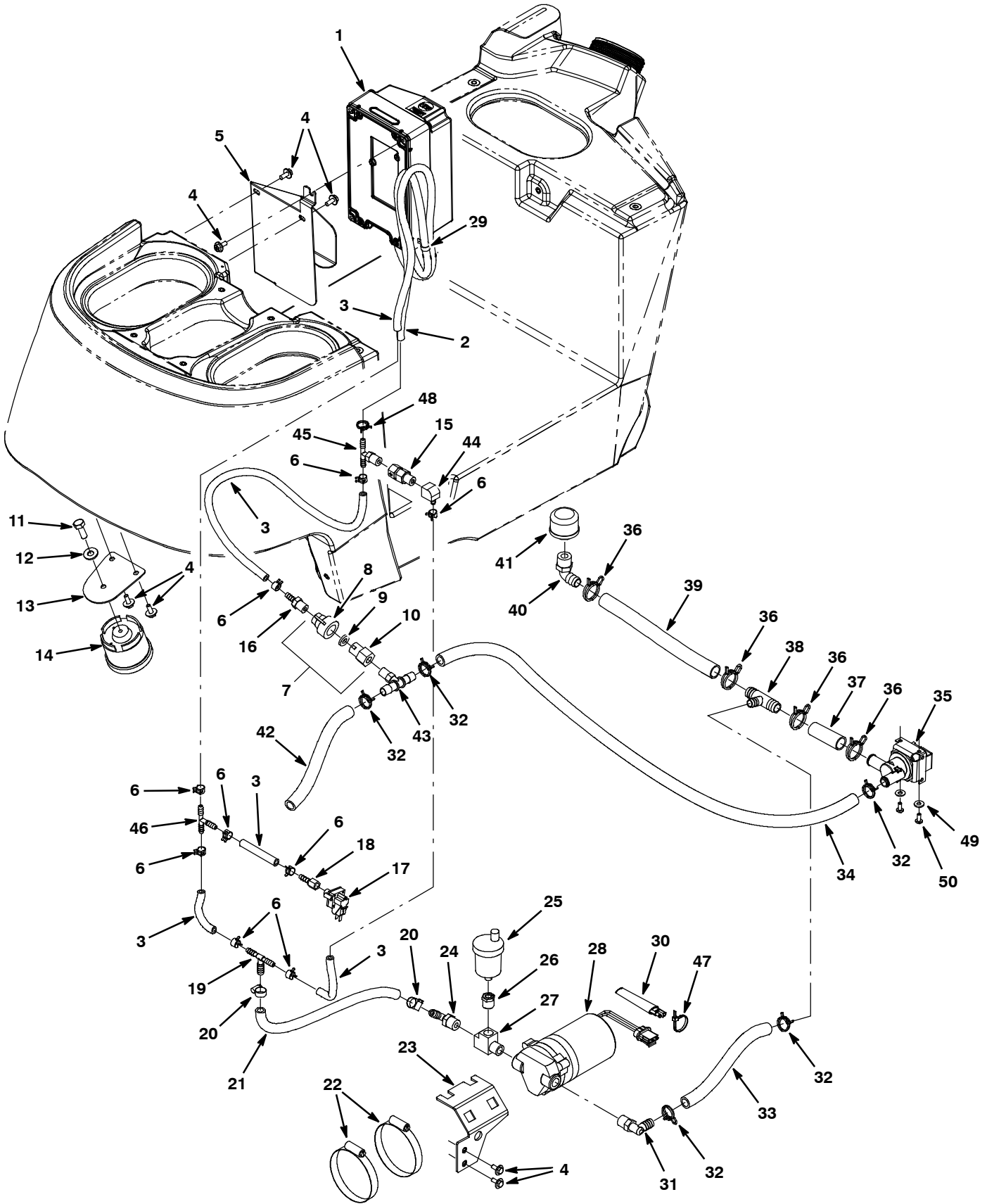
Ref.	Part No.	Serial Number	Description	Qty.
▽	9011810	(10742213-	) Module Kit, Replmt [Ec- H2o, B 02]	1
▲▽	9014126	(10742213-	) Ec- H2o Nc Kit [Module B, Plumbing]	1
▲▲	1 1208823	(10742213-	) Housing, Module, Upper, Ec- H2o	1
▲▲	2 1015506	(10742213-	) Screw, Pan, Phl, M5 X 16, Tcut [Plastic]	4
▲▲	3 1044393	(10742213-	) Switch, Rocker, Spst, Mom	1
▲▲	4 32509	(10742213-	) Screw, Hex, M4 X 0.70 X 50, Ss	4
▲▲	5 1208164	(10742213-	) Electrode, 5 Plate, High Flow	1
▲▲	6 41579	(10742213-	) Washer, Flat, 08, Ss	4
▲▲	7 33932	(10742213-	) Nut, Hex, Lock, M4 X 0.70, NI, Ss	4
▲▲	8 1006415	(10742213-	) Hose, Afmkt, Pvc, Clr, 0.25id, 03ft	1
▲▲	9 1208526	(10742213-	) Hose, Molded, Bm08/Bm06	1
▲▲	10 1049637	(10742213-	) Label, Direction [Ec- H2o]	1
▲▲	11 613735	(10742213-	) Clamp, Hose, Wir, .40 - .42, Yel	1
▲▲	12 54333	(10742213-	) Clamp, Hose, Wormdrive, 0.31- 0.88d, .31w	1
▲▲	13 1073286	(10742213-	) Harness, Ele, Module B2 [Ec- H2o]	1
▲	14 9014127	(10742213-	) Controller Kit, Replmt [Ec- H2o Nc]	1

▽ ASSEMBLY

▲ INCLUDED IN ASSEMBLY

# STANDARD PARTS

## SOLUTION GROUP, *ec-H2O* MODEL (S/N 10378380-10742212)

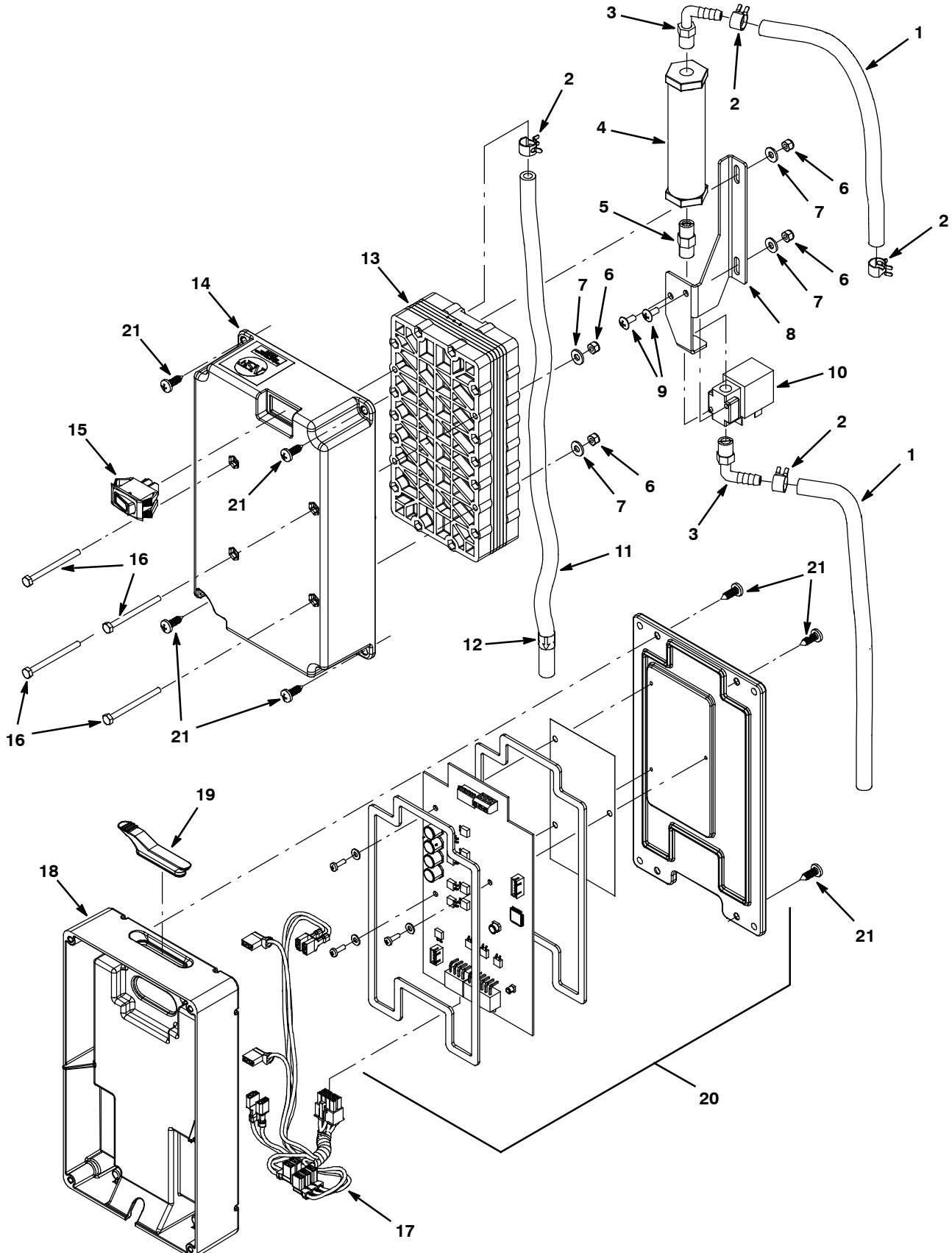


**STANDARD PARTS****SOLUTION GROUP, ec-H2O MODEL (S/N 10378380- 10742212)**

Ref.	Part No.	Serial Number	Description	Qty.	
1	9007970	(10448305- 10742212 )	Module Kit, Replmt [Ec- H2o] (See Breakdown)	1	
1	9006161	(10378380- 10448304 )	Module Kit, Replmt [Ec- H2o] (See Breakdown)	1	
2	9004606	(10378380- 10742212 )	Hose, Pvc, Brd, .25id .45od 46l, Clr	1	
3	578820000	(10378380- 10742212 )	Hose, Pvc, Brd, 0.25id 0.44od 157.2l,Clr	1	
4	1034731	(00000000- 10742212 )	Screw, Hex, M6 X 1.00 X 16, Sems, Ss	7	
5	1040881	(10378380- 10742212 )	Bracket, Mtg, Martini [T5]	1	
6	603654	(10378380- 10742212 )	Clamp, Hose, Ear, .44d [Ctb]	9	
▽	7	1043866	(10378380- 10742212 )	Fitting Assy, Qd, Pf04	1
▲	8	1005506	(10378380- 10742212 )	Fitting, Plstc, Cap, Spray, Pf04	1
▲	9	1047655	(10378380- 10742212 )	Washer, Flat, 0.40b 0.75d .12 [Viton]	1
▲	10	1005507	(10378380- 10742212 )	Fitting, Plstc, Body, Spray, Pf04	1
	11	01697	(10378380- 10742212 )	Screw, Hex, .25- 20 X 0.62, Ss	1
	12	01685	(10378380- 10742212 )	Washer, Flat, 0.38b 0.88d .08, Ss	1
	13	1044192	(10378380- 10742212 )	Bracket, Mtg, Horn [Ec- H2o]	1
	14	1018505	(10446231- 10742212 )	Horn, 12- 48vdc [88.5 Decibels]	1
	14	392937	(10378380- 10446230 )	Horn, 12- 48vdc [94 Decibels]	1
	15	1044790	(10378380- 10742212 )	Valve, Check, 0025psi Pm04/Pf04	1
	16	50901	(10378380- 10742212 )	Fitting, Plstc, Str, Bm04/Pm04	1
	17	1044414	(10378380- 10742212 )	Switch, Press, 12psi, Pm02	1
	18	150520	(10378380- 10742212 )	Fitting, Brs, Str, Bm04/Pf02	1
	19	1014441	(10378380- 10742212 )	Fitting, Plstc, Tee, Bm04/Bm04/Bm06, Br	1
	20	54333	(10378380- 10742212 )	Clamp, Hose, Wormdrive, 0.31- 0.88d, .31w	2
	21	1006400	(10378380- 10742212 )	Hose, Afmkt, Pvc, Brd, 0.38id, 03ft, Clr	1
	22	43555	(00000000- 10742212 )	Clamp, Hose, Wormdrive, 2.50- 3.50d, .50w	2
	23	1023463	(00000000- 10742212 )	Bracket, Mtg, Pump [T5]	1
	24	1005630	(00000000- 10742212 )	Fitting, Plstc, E90, Bm06/Pm06, Nyl	1
	25	1017386	(00000000- 10742212 )	Valve, Vent, Air, Float Type	1
	26	24698	(00000000- 10742212 )	Fitting, Brs, Str, Pf02/Pm06	1
	27	601483	(00000000- 10742212 )	Fitting, Brs, Tee, Pf06/Pf06/Pm06, Run	1
	28	1042495	(10378380- 10742212 )	Pump, Soltn, Ele, 24vdc, 35psi (See Breakdown)	1
	29	140328	(00000000- 10742212 )	Clamp, Cable, Nyl, 0.38d, Blk	1
	30	1040868	(10378380- 10742212 )	Capacitor, Plug [.01 Uf, 200v]	1
	31	1017532	(00000000- 10742212 )	Fitting, Plstc, E90, Bm08/Pm06	1
	32	607776	(00000000- 10742212 )	Clamp, Hose, Wir, .73 - .77, Silver	5
	33	613521	(00000000- 10742212 )	Hose, Pvc, Clr, 0.50id 0.75od 012.0l (611259)	1
	34	613531	(00000000- 10742212 )	Hose, Pvc, Clr, 0.50id 0.75od 045.0l (611259)	1
	35	1013599	(00000000- 10742212 )	Valve, Water, Solenoid, 24vdc Bm10/Bm10	1
	36	1041978	(00000000- 10742212 )	Clamp, Hose, Wir, .85 - .90, Silver	4
	37	605099	(00000000- 10742212 )	Hose, Pvc, Clr, 0.62id 0.88od 003.0l (611259)	1
	38	1015486	(00000000- 10742212 )	Fitting, Plstc, Tee, Bm08/Bm10/Bm10, Br	1
	39	1035355	(00000000- 10742212 )	Hose, Afmkt, Pvc, Clr, 0.62id, 02ft (611259)	1
	40	630371	(00000000- 10742212 )	Fitting, Plstc, E90, Bm10/Pm08	1
	41	1015522	(00000000- 10742212 )	Filter, Screen, 080mesh, Ss, Pf08	1
	42	613521	(00000000- 10742212 )	Hose, Pvc, Clr, 0.50id 0.75od 012.0l (611259)	1
	43	1010791	(10378380- 10742212 )	Fitting, Plstc, Tee, Bm08/Bm08/Pm04, Br	1
	44	1028773	(10378380- 10742212 )	Fitting, Brs, E90, Bm04/Pf04	1
	45	607306	(10378380- 10742212 )	Fitting, Plstc, Tee, Bm04/Bm04/Pm04, Br	1
	46	150713	(10378380- 10742212 )	Fitting, Plstc, Tee, Bm04/Bm04/Bm04	1
	47	130773	(10378380- 10742212 )	Tie, Cable, Nyl, 11.0l, .14w, 3.0 Max. D	1
	48	613735	(10378380- 10742212 )	Clamp, Hose, Wir, .40 - .42, Yel	1
	49	01683	(00000000- 10742212 )	Washer, Flat, 10, Ss	2
	50	09200	(00000000- 10742212 )	Screw, Pan, Phl, M5 X 0.80 X 12, Ss	2

# STANDARD PARTS

## ec-H2O MODULE ASSEMBLY BREAKDOWN, 9007970 (S/N 10448305- 10742212)



**STANDARD PARTS****ec-H2O MODULE ASSEMBLY BREAKDOWN, 9007970 (S/N 10448305- 10742212)**

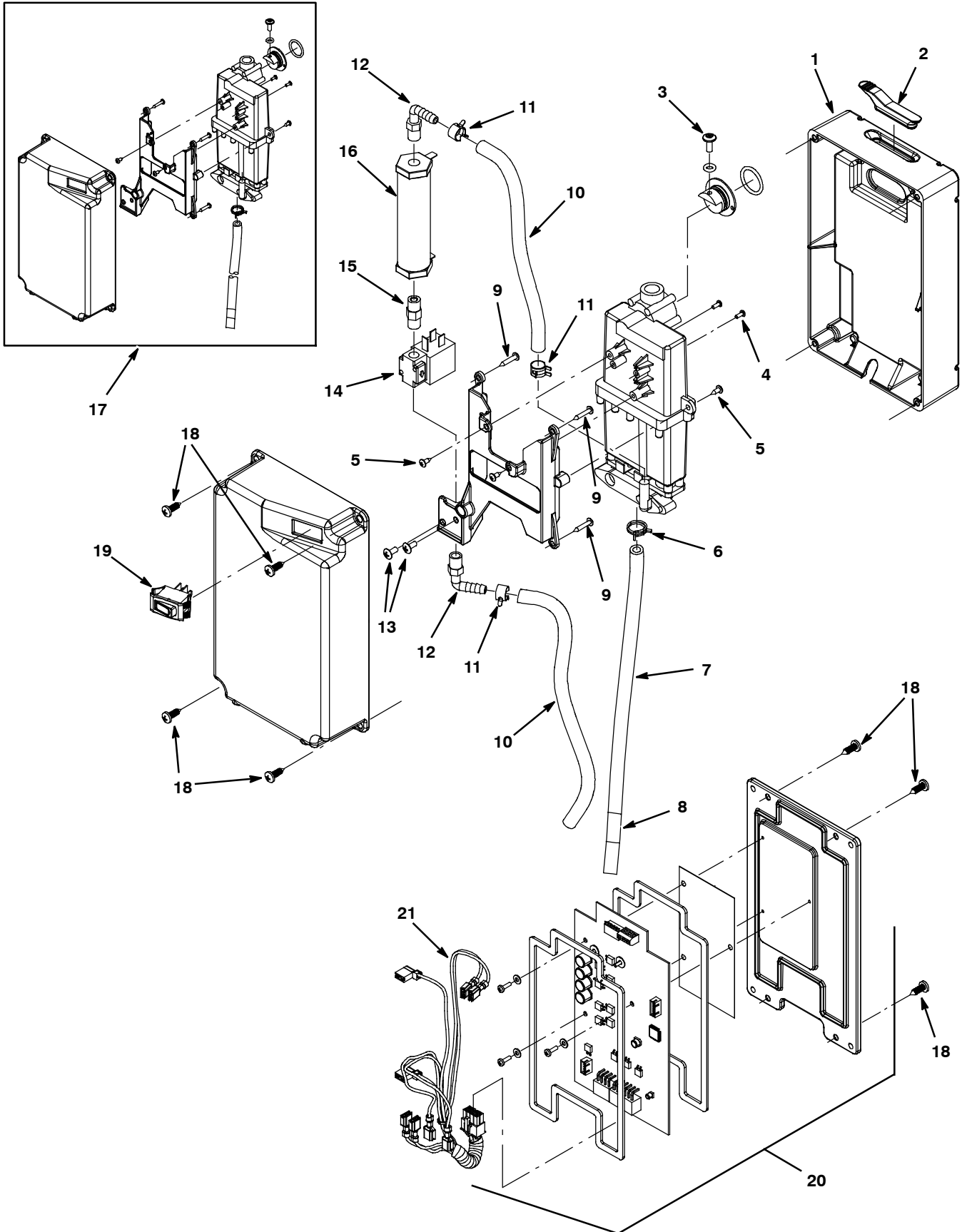
Ref.	Part No.	Serial Number	Description	Qty.
▽	9007970	(10448305- 10742212 )	Module Kit, Replmt [Ec- H2o]	1
▲▽	9006324	(10448305- 10742212 )	Ec- H2o Kit [Module B, Plumbing]	1
▲▲	1 578820000	(10448305- 10742212 )	Hose, Pvc, Brd, 0.25id 0.44od 157.2l,Clr	1
▲▲	2 603654	(10448305- 10742212 )	Clamp, Hose, Ear, .44d [Ctb]	4
▲▲	3 1037595	(10448305- 10742212 )	Fitting, Plstc, E90, Bm04/Pm02, Nyl	2
▲▲	4 1062006	(10448305- 10742212 )	Electrode, Cylindrical	1
▲▲	5 1045030	(10448305- 10742212 )	Fitting, Brs, Str, Pm02/Pm02	1
▲▲	6 33932	(10448305- 10742212 )	Nut, Hex, Lock, M4 X 0.70, NI, Ss	4
▲▲	7 41579	(10448305- 10742212 )	Washer, Flat, 08, Ss	4
▲▲	8 1048490	(10448305- 10742212 )	Bracket, Valve	1
▲▲	9 140801	(10448305- 10742212 )	Screw, Trs, Phl, 08- 32 X 0.38, Ss	2
▲▲	10 1013236	(10448305- 10742212 )	Valve, Shutoff, Ele, 24vdc	1
▲▲	11 9006574	(10448305- 10742212 )	Hose, Pvc, Brd, 0.25id 0.45od, 65l, Clr	1
▲▲	12 1049637	(10448305- 10742212 )	Label, Direction [Ec- H2o]	1
▲▲	13 1057637	(10448305- 10742212 )	Electrode, 5 Plate, High Flow	1
▲▲	14 1051519	(10448305- 10742212 )	Housing, Upper, Module, High Flow	1
▲▲	15 1044393	(10448305- 10742212 )	Switch, Rocker, Spst, Mom,	1
▲▲	16 32509	(10448305- 10742212 )	Screw, Hex, M4 X 0.70 X 50, Ss	4
▲▲	17 1049489	(10448305- 10742212 )	Harness, Main, Controller [Ec- H2o, P3]	1
▲	18 1037032	(10448305- 10742212 )	Housing, Bottom	1
▲	19 1054776	(10448305- 10742212 )	Grommet, Blind	1
▲	20 9007969	(10448305- 10742212 )	Controller Kit, Replmt [Ec- H2o]	1
▲	21 1018155	(10448305- 10742212 )	Screw, Pan, Phl, M5 X 0.80 X 16, Tcut,Ss	8

▽ ASSEMBLY

▲ INCLUDED IN ASSEMBLY

# STANDARD PARTS

## ec-H2O MODULE ASSEMBLY BREAKDOWN, 9006161 (S/N 10378380- 10448304)



**STANDARD PARTS****ec-H2O MODULE ASSEMBLY BREAKDOWN, 9006161 (S/N 10378380- 10448304)**

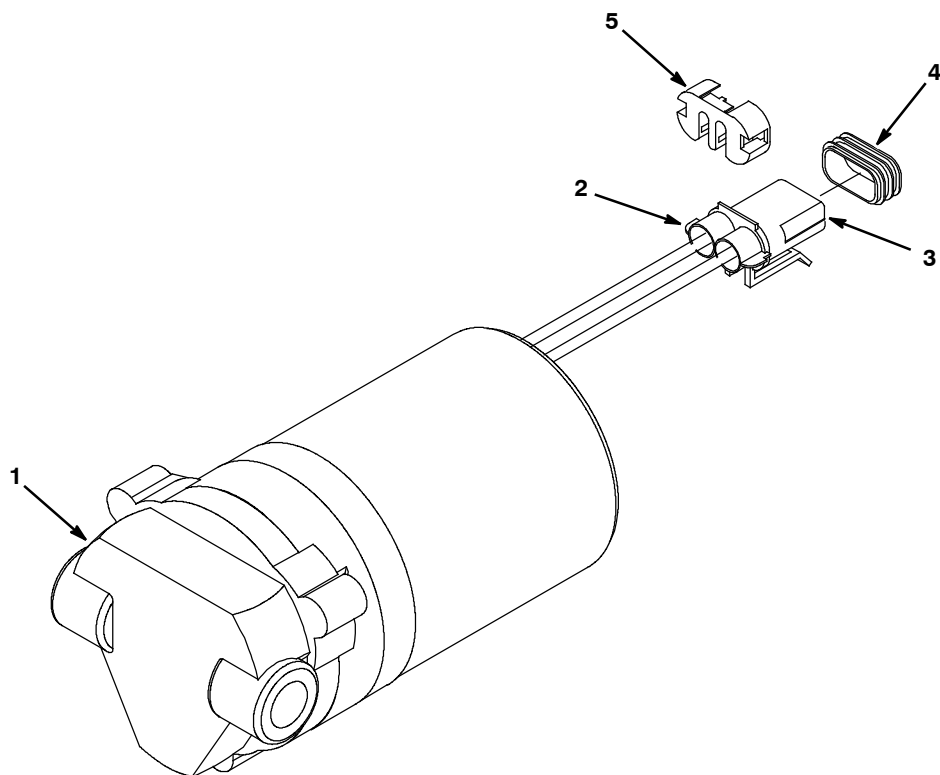
Ref.	Part No.	Serial Number	Description	Qty.
▽	9006161	(10378380- 10448304 )	Module Kit, Replmt [Ec- H2o]	1
▲	1 1037032	(10378380- )	Housing, Bottom	1
▲	2 1054776	(10378380- )	Grommet, Blind	1
▲	3 609062	(10378380- 10448304 )	Screw, Trs, Phl, 08- 32 X 0.38, Ss	1
▲	4 578860	(10378380- 10448304 )	Screw, Pan, Phl, 04- 40 X 0.31, Pl	2
▲	5 3701.6	(10378380- 10448304 )	Screw, Pan, Phl, 06- 32 X 0.38, Shtmtl,Ss	4
▲	6 613735	(10378380- )	Clamp, Hose, Wir, .40 - .42, Yel	1
▲	7 9004606	(10378380- 10448304 )	Hose, Pvc, Brd, .25id .45od 46l, Clr	1
▲	8 1049637	(10378380- )	Label, Direction [Ec- H2o]	1
▲	9 140826	(10378380- 10448304 )	Screw, Pan, 06- 32 X 0.75, Fmg/Ab, Ss	4
▲	10 578820000	(10378380- )	Hose, Pvc, Brd, 0.25id 0.44od 157.2l,Clr	1
▲	11 603654	(10378380- )	Clamp, Hose, Ear, .44d [Ctb]	4
▲	12 1037595	(10378380- )	Fitting, Plstc, E90, Bm04/Pm02, Nyl	2
▲	13 140801	(10378380- 10448304 )	Screw, Trs, Phl, 08- 32 X 0.38, Ss	2
▲	14 1013236	(10378380- )	Valve, Shutoff, Ele, 24vdc	1
▲	15 1045030	(10378380- )	Fitting, Brs, Str, Pm02/Pm02	1
▲	16 1038159	(10378380- )	Electrode, Cylindrical	1
▲	17 N/A	(10378380- 10448304 )	Replaced By E- Cell Upgrade Kit P/N 9006324 (Includes Items 1- 17 On Page 63)	1
▲	18 1018155	(10378380- )	Screw, Pan, Phl, M5 X 0.80 X 16, Tcut,Ss	8
▲	19 1044393	(10378380- )	Switch, Rocker, Spst, Mom,	1
▲	20 9006159	(10378380- )	Controller Kit, Replmt [Ec- H2o]	1
▲	21 1044399	(10378380- 10448304 )	Harness, Main, Controller [Ec- H2o, P3]	1

▽ ASSEMBLY

▲ INCLUDED IN ASSEMBLY

## STANDARD PARTS

### 1042495 SOLUTION PUMP BREAKDOWN



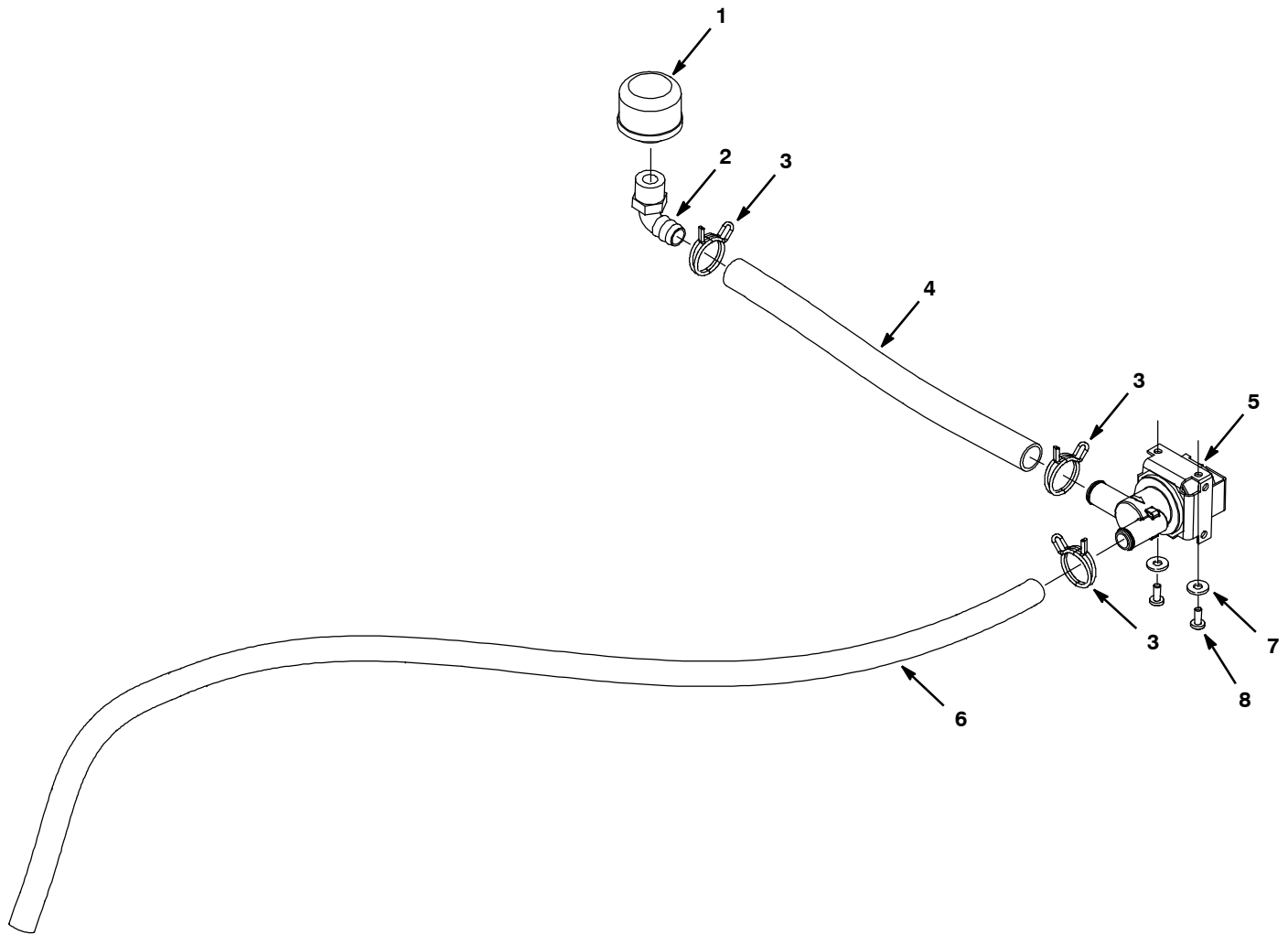
Ref.	Part No.	Serial Number	Description	Qty.
▽	1042495	(10378380-	) Pump, Soltn, Ele, 24vdc, 35psi	1
▲	1	9004759	(10378380-) Pump Kit, Head, Soltn [Echo]	1
▲	2	78950	(10378380-) Connector, Fem, 02cav, Mp280 Sealed	1
▲	3	78951	(10378380-) Terminal, Fem, Mp280, Sealed, 18- 16ga	1
▲	4	10917	(10378380-) Seal, Wire, 14/16ga [Wp / Mp280 Sealed]	1
▲	5	78952	(10378380-) Lock, Secondary, 2cav, Mp280 Sealed	1

▽ ASSEMBLY

▲ INCLUDED IN ASSEMBLY



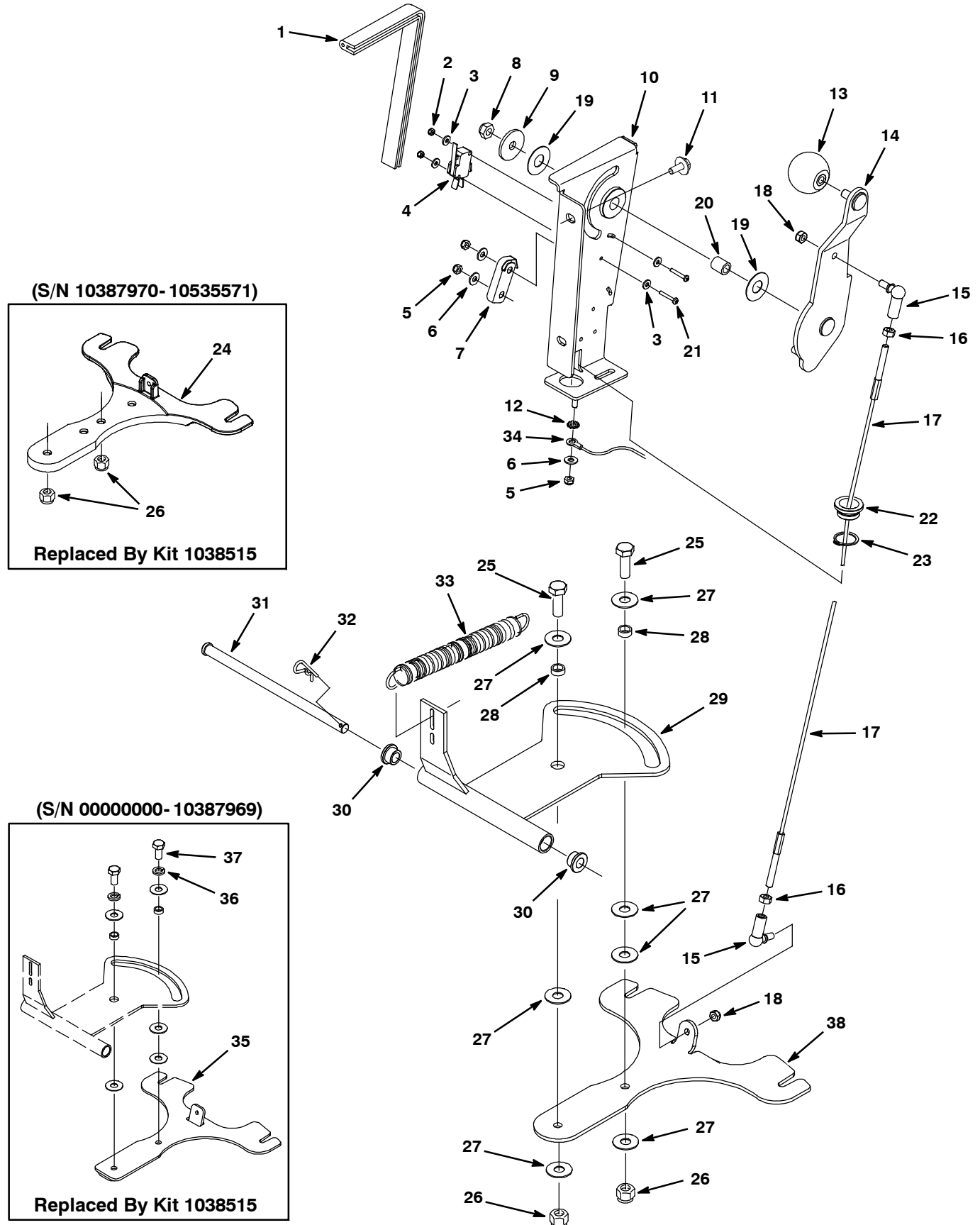
**SOLUTION GROUP, STANDARD MODEL**



Ref.	Part No.	Serial Number	Description	Qty.
1	1015522	(00000000-	) Filter, Screen, 080 Mesh, Pf08, Ss	1
2	630371	(00000000-	) Fitting, Plstc, E90, Bm10/Pm08	1
3	1041978	(00000000-	) Clamp, Hose, Wir, .85 - .90, Silver	3
4	1035355	(00000000-	) Hose, Afmkt, Pvc, Clr, 0.62id, 02ft	1
5	1013599	(00000000-	) Valve, Water, Solenoid, 24vdc, 10bm/10bm	1
6	613531	(00000000-	) Tubing 1/2idx3/4od Vinyl 611259 Ft 3.750	1
7	01683	(00000000-	) Washer, Flat, 10, Ss	2
8	09200	(00000000-	) Screw, Pan, Phl, M5 X 0.80 X 12, Ss	2

# STANDARD PARTS

## SQUEEGEE LIFT GROUP



**STANDARD PARTS****SQUEEGEE LIFT GROUP**

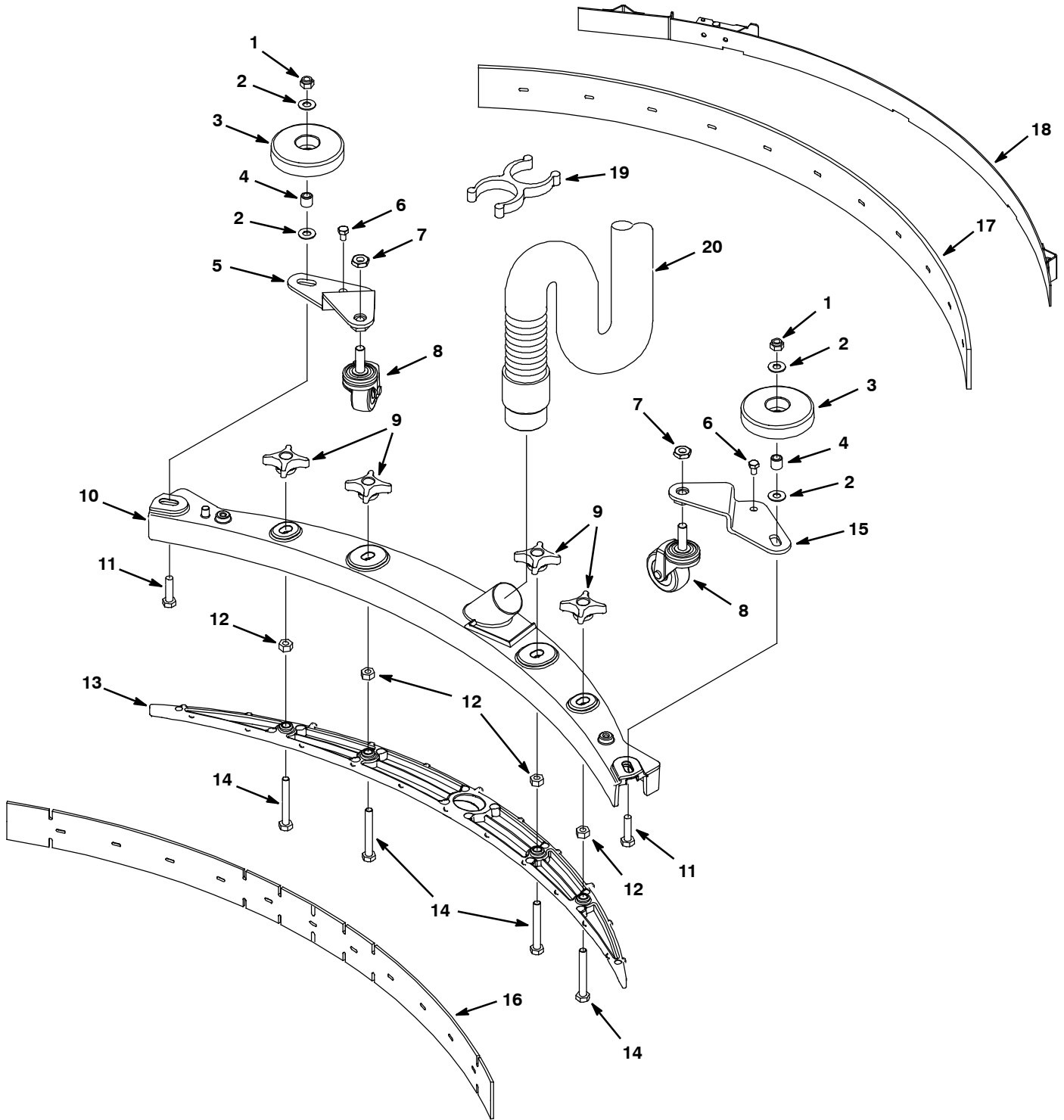
Ref.	Part No.	Serial Number	Description	Qty.	
1	1008675	(00000000-	) Gasket, Edge, Foam, 24.00l [Fr]	1	
2	579211	(00000000-	) Nut, Hex, Lock, M3 X .5, Ss	2	
3	41578	(00000000-	) Washer, Flat, #06, Ss	4	
4	1012568	(00000000-	) Switch, Snap, 10a, Short	1	
5	09739	(00000000-	) Nut, Hex, Lock, M5 X 0.8, NI, Ss	3	
6	01683	(00000000-	) Washer, Flat, #10, Ss	3	
7	1024060	(00000000-	) Spring, Lever, Sqge, W/ 90° Bend	1	
8	08713	(00000000-	) Nut, Hex, Lock, M8 X 1.25, NI, Ss	1	
9	1016331	(00000000-	) Washer, Flat, 0.34b 1.25d .11, Ss	1	
10	1020922	(00000000-	) Bracket, Lift, Sqge	1	
11	1034731	(00000000-	) Screw, Hex, M6 X 1.00 X 16, Sems, Ss	2	
12	140052	(00000000-	) Washer, Lock, Ext, 0.25 Ss	1	
13	1017156	(00000000-	) Knob, Ball, M8 Insert, 40mmd, Plstc	1	
14	1024354	(00000000-	) Lever, Sqge	1	
15	1012747	(00000000-	) Balljoint, M6 X 1.0 Fem, M6 X 1.0 Mal	2	
16	07785	(00000000-	) Nut, Hex, Std, M6 X 1.00, A2, Ss	2	
17	1024105	(00000000-	) Cable, Lift, Sqge	1	
18	08712	(00000000-	) Nut, Hex, Lock, M6 X 1.0, Ss, NI	2	
19	1013397	(00000000-	) Washer, Flat, M13 X 30 X 0.8, Nyl	2	
20	1014336	(00000000-	) Sleeve, P/M, 8.40b 12.60d 14.5l, PI	1	
21	06922	(00000000-	) Screw, Pan, M3 X 0.5 X 20, 4.8	2	
22	1009363	(00000000-	) Bushing, Cable	1	
23	621236	(00000000-	) Ring, Retaining, Ext, 0.81d	1	
▽	24	1038515	(10387970- 10535571 ) Bracket Kit, Sqge, Conversion [T5]	1	
▲	25	12309	(10387970-	) Screw, Hex, M12 X 1.75 X 30, Ss	2
▲	26	09741	(10387970-	) Nut, Hex, Lock, M12 X 1.75, NI, Ss	2
▲	27	140045	(00000000-	) Washer, Flat, 0.51b 1.25d .06, Ss	7
▲	28	1013662	(00000000-	) Bushing, Sleeve, 12mm 16mm 6.5mml, Pm Yw	2
	29	1020974	(00000000-	) Bracket Wldt, Pivot, Sqge	1
	30	606058	(00000000-	) Bearing, Flng .505id .753od	2
	31	1026232	(00000000-	) Pin, Clevis, 0.50 D X 9.25l	1
	32	140626	(00000000-	) Pin, Hair Cotter, 0.25 D .125 Wir	1
	33	140423	(00000000-	) Spring, Brush Press	1
	34	1029310	(00000000-	) Harness, Ground, 12 Awg	1
	35	1024215	(00000000- 10387969 ) Bracket Wldt, Mtg, Sgg [T5] (REPLACED BY 1038515)	1	
	36	140024	(00000000- 10387969 ) Washer, Lock, Split, 0.50, Ss	2	
	37	1033003	(00000000- 10387969 ) Screw, Hex, M12 X 1.75 X 25, NI, Ss	2	
	38	1066260	(10535572-	) Bracket, Mtg, Sqge, Stl [T5]	1

▽ ASSEMBLY

▲ INCLUDED IN ASSEMBLY

# STANDARD PARTS

## SQUEEGEE GROUP, 20 in / 500 mm



**STANDARD PARTS****SQUEEGEE GROUP, 20 in / 500 mm**

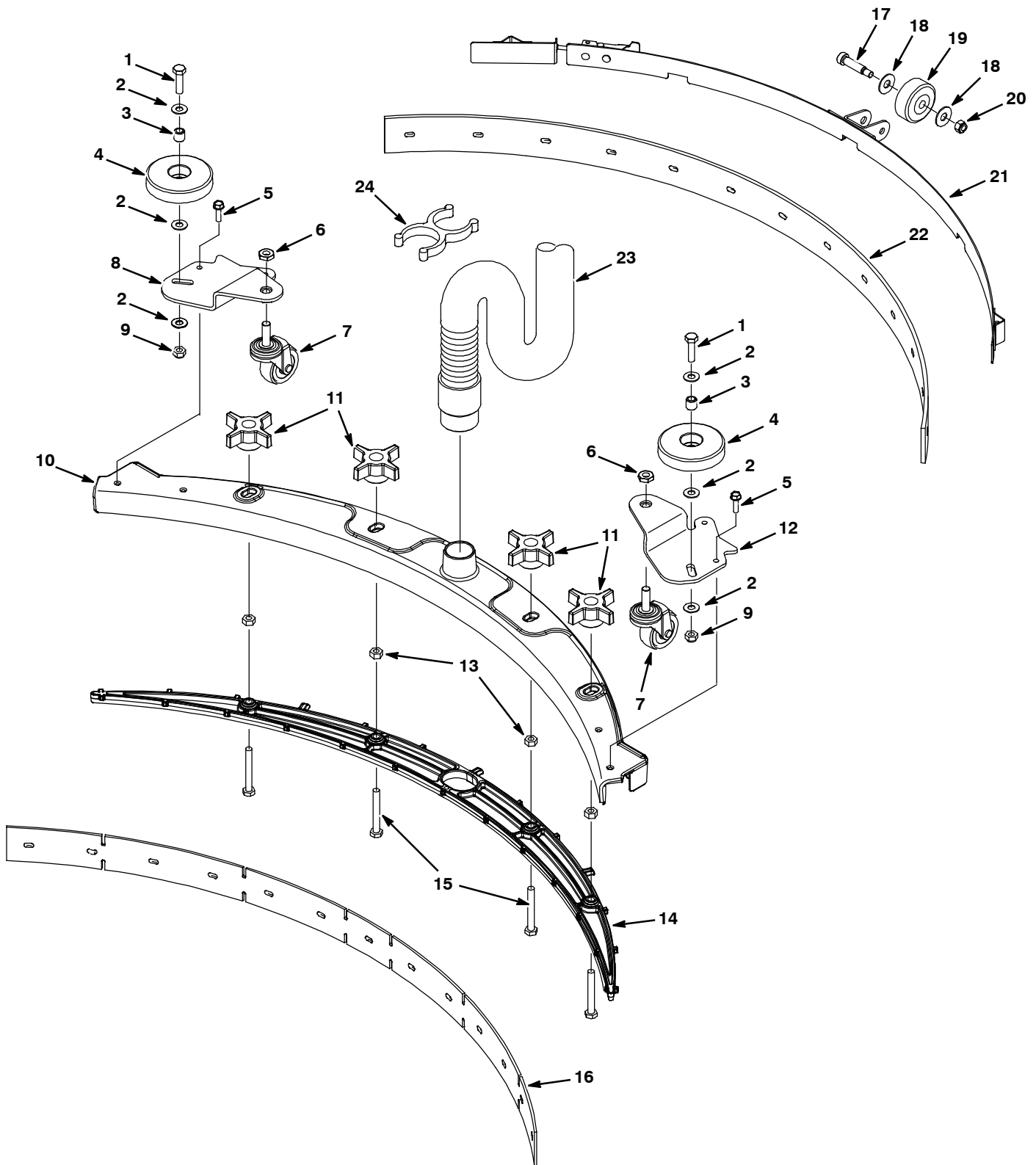
Ref.	Part No.	Serial Number	Description	Qty.
▽	9001178	(00000000-	) Squeegee Assy Kit, 500mm, Ci	1
▲	1 08713	(00000000-	) Nut, Hex, Lock, M8 X 1.25, NI, Ss	2
▲	2 140027	(00000000-	) Washer, Flat, 0.35b 0.75d .04, Ss	4
▲	3 1010560	(00000000-	) Wheel, Bmpr, 80d X 25w, Non- Marking	2
▲	4 222460	(00000000-	) Sleeve, P/M, 0.31b 0.50d 0.5l [430ss]	2
▲	5 1011228	(00000000-	) Plate, Mtg, Caster, Sqge, Rh	1
▲	6 74455	(00000000-	) Screw, Hex, M6 X 1.0 X 12, Fmg	2
▲	7 32716	(00000000-	) Nut, Hex, Jam, M10 X 1.5, Ss	2
▲	8 1006343	(00000000-	) Caster, Swivel, 50mmd, M10 X 30 Stem, PI	2
▲	9 1010558	(00000000-	) Knob, Star, 2.00d 4ear 0.7l M8x1.25 Thru	4
▲	10 1011163	(00000000-	) Frame, Sqge, 74cm, Die Cast [50cm]	1
▲	11 09011	(00000000-	) Screw, Hex, M8 X 1.25 X 30, Ss	2
▲	12 07786	(00000000-	) Nut, Hex, Std, M8 X 1.25, Ss	4
▲	13 1019919	(00000000-	) Retainer, Sqge, 76cm [50cm] Nyl, Blk	1
▲	14 1014163	(00000000-	) Screw, Hex, M8 X 1.25 X 60, Fl, Ss	4
▲	15 1011956	(00000000-	) Plate, Mtg, Caster, Sqge, Lh	1
▲	16 1011232	(00000000-	) Blade, Sqge, Front, 500mml (Standard)	1
	16 1014091	(00000000-	) Blade, Sqge, Front, 500mm, Gum (Optional)	1
	16 1014092	(00000000-	) Blade, Sqge, Front, 500mml, Oil- Rstn (Optional)	1
▲	17 1011456	(00000000-	) Blade, Sqge, Rear, 500mm Linatex (Standard)	1
	17 1014093	(00000000-	) Blade, Sqge, Rear, 500mm Gum (Optional)	1
	17 1014094	(00000000-	) Blade, Sqge, Rear, 500mm Oil- Rstn (Optional)	1
▲	18 1013933	(00000000-	) Strap Assy, Sqge, 500mm	1
	19 1014079	(00000000-	) Clip, Grip, Hose, 1.50id, Dbl, Blk Pyp	1
	20 1014026	(00000000-	) Hose, Vacuum, 1.5d X 57l, 2- Short Cuffs	1

▽ ASSEMBLY

▲ INCLUDED IN ASSEMBLY

# STANDARD PARTS

## SQUEEGEE GROUP, 24 in / 600 mm



**STANDARD PARTS****SQUEEGEE GROUP, 24 in / 600 mm**

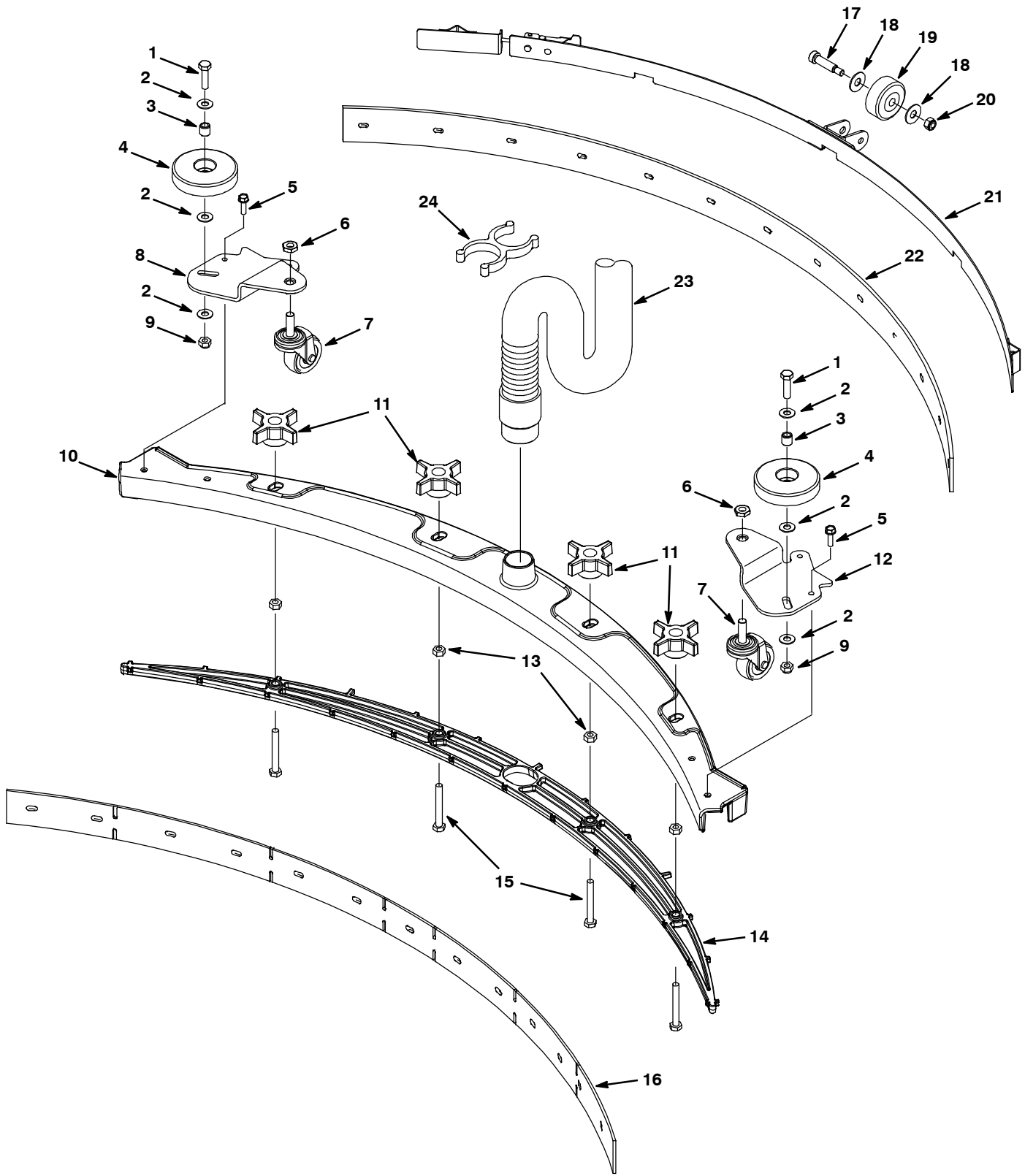
Ref.	Part No.	Serial Number	Description	Qty.
▽	9002679	(00000000-	) Kit, Squeegee, 600mm Ci	1
▲	1 09011	(00000000-	) Screw, Hex, M8 X 1.25 X 30, Ss	2
▲	2 140027	(00000000-	) Washer, Flat, 0.35b 0.75d .04, Ss	6
▲	3 222460	(00000000-	) Sleeve, P/M, 0.496d 0.318b 0.50l 430ss	2
▲	4 1010560	(00000000-	) Wheel, Bmpr, 80d X 25w, Non- Marking	2
▲	5 12459	(00000000-	) Screw, Hex, M6 X 1.0 X 20, Fmg	4
▲	6 32716	(00000000-	) Nut, Hex, Jam, M10 X 1.5, Ss	2
▲	7 1006343	(00000000-	) Caster, Swivel, 50mm D, M10 X 30 Stem,Zn	2
▲	8 1023273	(00000000-	) Plate, Caster, Mtg, Sqge, Rh	1
▲	9 08713	(00000000-	) Nut, Hex, Lock, M8 X 1.25, NI, Ss	2
▲	10 1021798	(00000000-	) Frame, Sqge, 89cm [60cm]	1
▲	11 1015911	(00000000-	) Knob, Star, 2.75d 4ear 1.1l M8x1.25 Thru	4
▲	12 1023291	(00000000-	) Plate, Caster, Mtg, Sqge, Lh	1
▲	13 07786	(00000000-	) Nut, Hex, Std, M8 X 1.25, Ss	4
▲	14 1026354	(00000000-	) Retainer , Blade, Sqge, 600mm [Plstc]	1
▲	15 1014163	(00000000-	) Screw, Hex, M8 X 1.25 X 60, Fl, Ss	4
▲	16 1021804	(00000000-	) Blade, Sqge, Front, 88cml [Lnx, 60cm] (Standard)	1
	16 1025333	(00000000-	) Blade, Sqge, Front, 88cml, Gum [60cm] (Optional)	1
	16 1025334	(00000000-	) Blade, Sqge, Front, 88cml, Ure [60cm] (Optional)	1
▲	17 600187	(00000000-	) Bolt, Shld, .38d X 1.25, .31- 18	1
▲	18 140028	(00000000-	) Washer, Flat, 0.42b 1.00d .05, Ss	2
▲	19 630477	(00000000-	) Wheel, Pyu, 2.0d 0.38w, Gray	1
▲	20 32983	(00000000-	) Nut, Hex, Lock, .31- 18, NI	1
▲	21 1022456	(00000000-	) Retainer Assy, Blade, Sqge, 600mm	1
▲	22 1021333	(00000000-	) Blade, Sqge, Rear, 88cm,Linatex[60cm] (Standard)	1
	22 1025335	(00000000-	) Blade, Sqge, Rear, 88cml, Gum [60cm] (Optional)	1
	22 1025336	(00000000-	) Blade, Sqge, Rear, 88cm, Ure [60cm] (Optional)	1
	23 1014026	(00000000-	) Hose, Vacuum, 1.5d X 57l, 2- Short Cuffs	1
	24 1014079	(00000000-	) Clip, Hose, Gripper, 1.50id, Dbl, Blk Pp	1

▽ ASSEMBLY

▲ INCLUDED IN ASSEMBLY

# STANDARD PARTS

## SQUEEGEE GROUP, 26 in / 650 mm & 28 in / 700 mm





**STANDARD PARTS****SQUEEGEE GROUP, 26 in / 650 mm & 28 in / 700 mm**

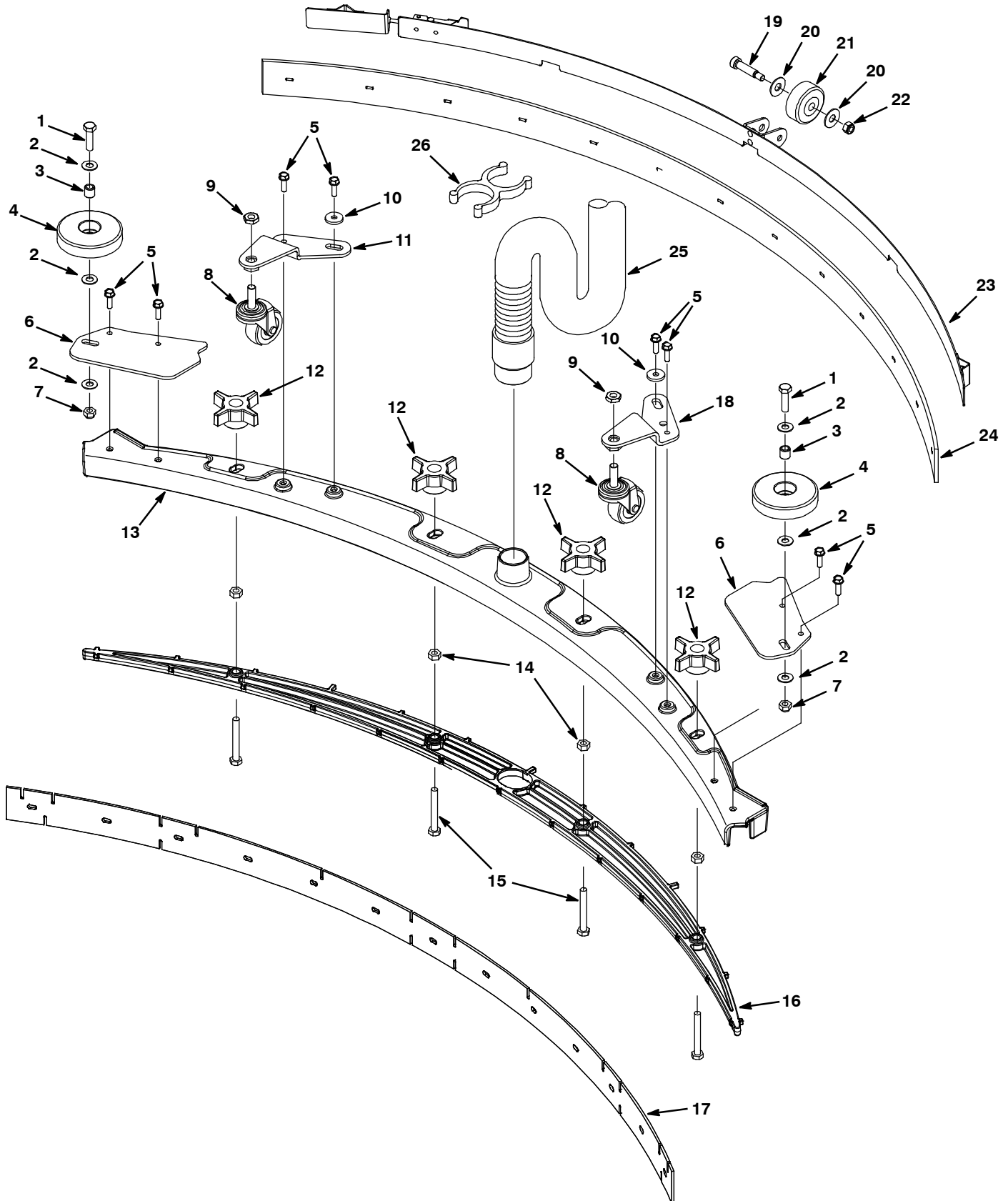
Ref.	Part No.	Serial Number	Description	Qty.
▽	9002680	(00000000-	) Kit, Squeegee, 700mm Ci	1
▲	1 09011	(00000000-	) Screw, Hex, M8 X 1.25 X 30, Ss	2
▲	2 140027	(00000000-	) Washer, Flat, 0.35b 0.75d .04, Ss	6
▲	3 222460	(00000000-	) Sleeve, P/M, 0.496d 0.318b 0.50l 430ss	2
▲	4 1010560	(00000000-	) Wheel, Bmpr, 80d X 25w, Non- Marking	2
▲	5 12459	(00000000-	) Screw, Hex, M6 X 1.0 X 20, Fmg	4
▲	6 32716	(00000000-	) Nut, Hex, Jam, M10 X 1.5, Ss	2
▲	7 1006343	(00000000-	) Caster, Swivel, 50mm D, M10 X 30 Stem,Zn	2
▲	8 1023273	(00000000-	) Plate, Caster, Mtg, Sqge, Rh	1
▲	9 08713	(00000000-	) Nut, Hex, Lock, M8 X 1.25, NI, Ss	2
▲	10 1023326	(00000000-	) Frame, Sqge, 104cm [70cm]	1
▲	11 1015911	(00000000-	) Knob, Star, 2.75d 4ear 1.1l M8x1.25 Thru	4
▲	12 1023291	(00000000-	) Plate, Caster, Mtg, Sqge, Lh	1
▲	13 07786	(00000000-	) Nut, Hex, Std, M8 X 1.25, Ss	4
▲	14 1026416	(00000000-	) Retainer, Blade, Sqge, 700mm [Plstc]	1
▲	15 1014163	(00000000-	) Screw, Hex, M8 X 1.25 X 60, Fl, Ss	4
▲	16 1023327	(00000000-	) Blade, Sqge, Front, 98cml [Lnx, 70cm] (Standard)	1
	16 1025337	(00000000-	) Blade, Sqge, Front, 98cml, Gum [70cm] (Optional)	1
	16 1025339	(00000000-	) Blade, Sqge, Front, 98cml, Ure [70cm] (Optional)	1
▲	17 600187	(00000000-	) Bolt, Shld, .38d X 1.25, .31- 18	1
▲	18 140028	(00000000-	) Washer, Flat, 0.42b 1.00d .05, Ss	2
▲	19 630477	(00000000-	) Wheel, Pyu, 2.0d 0.38w, Gray	1
▲	20 32983	(00000000-	) Nut, Hex, Lock, .31- 18, NI	1
▲	21 1023335	(00000000-	) Bracket Wldt, Sqge, Band Clamp, 98cm	1
▲	22 1023329	(00000000-	) Blade, Sqge, Rear, 98cm, Linatex[70cm] (Standard)	1
	22 1025340	(00000000-	) Blade, Sqge, Rear, 98cml, Gum [70cm] (Optional)	1
	22 1025341	(00000000-	) Blade, Sqge, Rear, 98cm, Ure [70cm] (Optional)	1
	23 1014026	(00000000-	) Hose, Vacuum, 1.5d X 57l, 2- Short Cuffs	1
	24 1014079	(00000000-	) Clip, Hose, Gripper, 1.50id, Dbl, Blk Pp	1

▽ ASSEMBLY

▲ INCLUDED IN ASSEMBLY

# STANDARD PARTS

## SQUEEGEE GROUP, 32 in / 800 mm



**STANDARD PARTS****SQUEEGEE GROUP, 32 in / 800 mm**

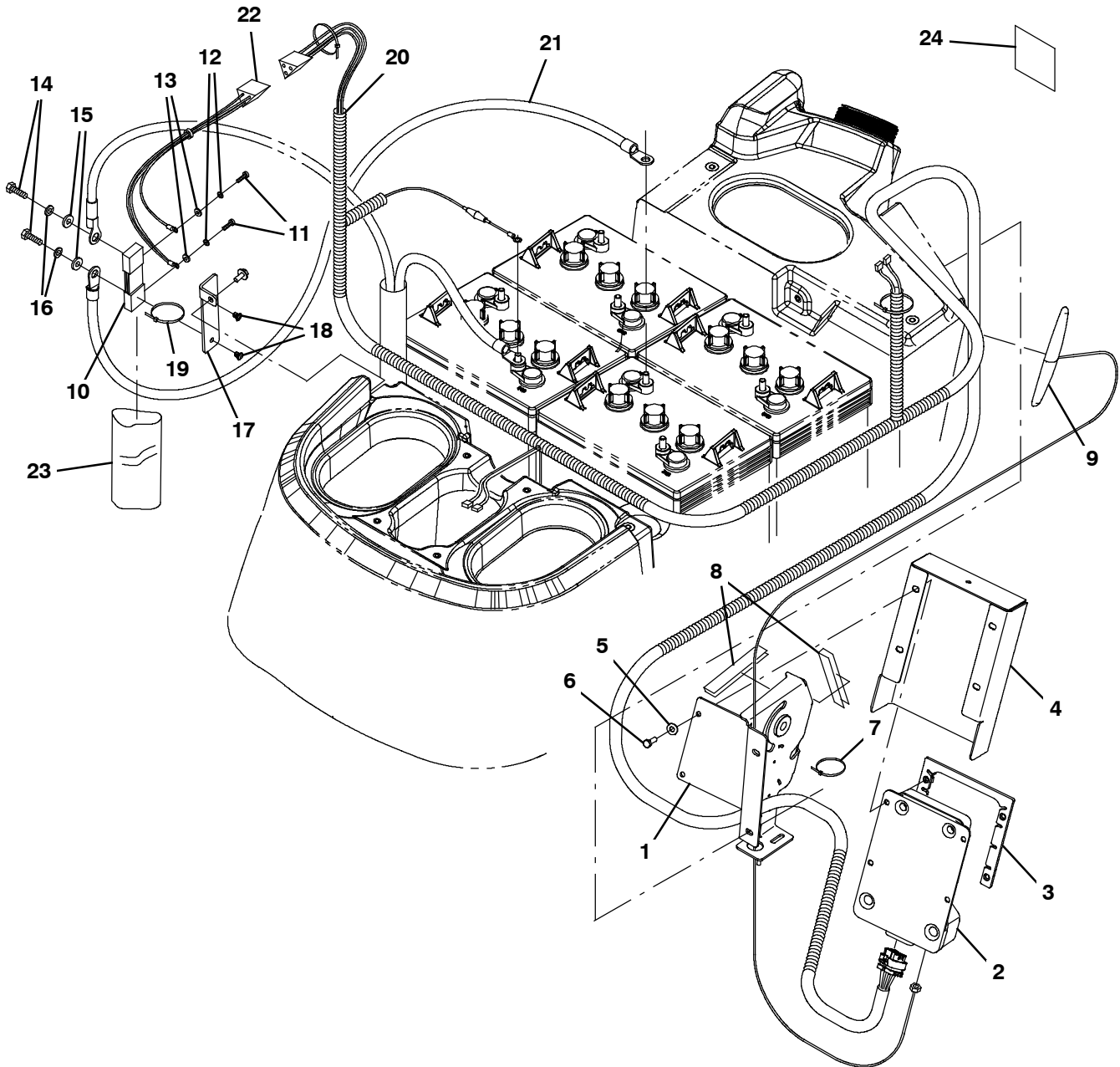
Ref.	Part No.	Serial Number	Description	Qty.
▽	9002681	(00000000-	) Kit, Squeegee, 800mm Ci	1
▲	1 09011	(00000000-	) Screw, Hex, M8 X 1.25 X 30, Ss	2
▲	2 140027	(00000000-	) Washer, Flat, 0.35b 0.75d .04, Ss	6
▲	3 222460	(00000000-	) Sleeve, P/M, 0.496d 0.318b 0.50l 430ss	2
▲	4 1010560	(00000000-	) Wheel, Bmpr, 80d X 25w, Non- Marking	2
▲	5 12459	(00000000-	) Screw, Hex, M6 X 1.0 X 20, Fmg	8
▲	6 1023426	(00000000-	) Bracket, Mtg, Sqge Bumper	2
▲	7 08713	(00000000-	) Nut, Hex, Lock, M8 X 1.25, NI, Ss	2
▲	8 1006343	(00000000-	) Caster, Swivel, 50mm D, M10 X 30 Stem,Zn	2
▲	9 32716	(00000000-	) Nut, Hex, Jam, M10 X 1.5, Ss	2
▲	10 140053	(00000000-	) Washer, Flat, 0.28b 0.88d .12, Ss	2
▲	11 1011228	(00000000-	) Plate, Mtg, Caster, Sqge, Rh	1
▲	12 1015911	(00000000-	) Knob, Star, 2.75d 4ear 1.1l M8x1.25 Thru	4
▲	13 1023396	(00000000-	) Frame, Sqge, 117cm [80cm]	1
▲	14 07786	(00000000-	) Nut, Hex, Std, M8 X 1.25, Ss	4
▲	15 1014163	(00000000-	) Screw, Hex, M8 X 1.25 X 60, Fl, Ss	4
▲	16 1024970	(00000000-	) Retainer, Blade, Sqge, 800mm [Plstc]	1
▲	17 1023398	(00000000-	) Blade, Sqge, Front, 105cm [Linx 80cm] (Standard)	1
	17 1025342	(00000000-	) Blade, Sqge, Front, 105cml, Gum[80cm] (Optional)	1
	17 1025343	(00000000-	) Blade, Sqge, Front, 105cm, Ure [80cm] (Optional)	1
▲	18 1011956	(00000000-	) Plate, Mtg, Caster, Sqge, Lh	1
▲	19 600187	(00000000-	) Bolt, Shld, .38d X 1.25, .31- 18	1
▲	20 140028	(00000000-	) Washer, Flat, 0.42b 1.00d .05, Ss	2
▲	21 630477	(00000000-	) Wheel, Pyu, 2.0d 0.38w, Gray	1
▲	22 32983	(00000000-	) Nut, Hex, Lock, .31- 18, NI	1
▲	23 1023400	(00000000-	) Retainer Assy, Blade, Sqge, 800mm	1
▲	24 1023399	(00000000-	) Blade, Sqge, Rear, 105cml[Linx, 80cm] (Standard)	1
	24 1025344	(00000000-	) Blade, Sqge, Rear, 105cml, Gum [80cm] (Optional)	1
	24 1025346	(00000000-	) Blade, Sqge, Rear, 105cml, Ure [80cm] (Optional)	1
	25 1014026	(00000000-	) Hose, Vacuum, 1.5d X 57l, 2- Short Cuffs	1
	26 1014079	(00000000-	) Clip, Hose, Gripper, 1.50id, Dbl, Blk Pp	1

▽ ASSEMBLY

▲ INCLUDED IN ASSEMBLY

# STANDARD PARTS

## TELEMETRY GROUP



**STANDARD PARTS****TELEMETRY GROUP**

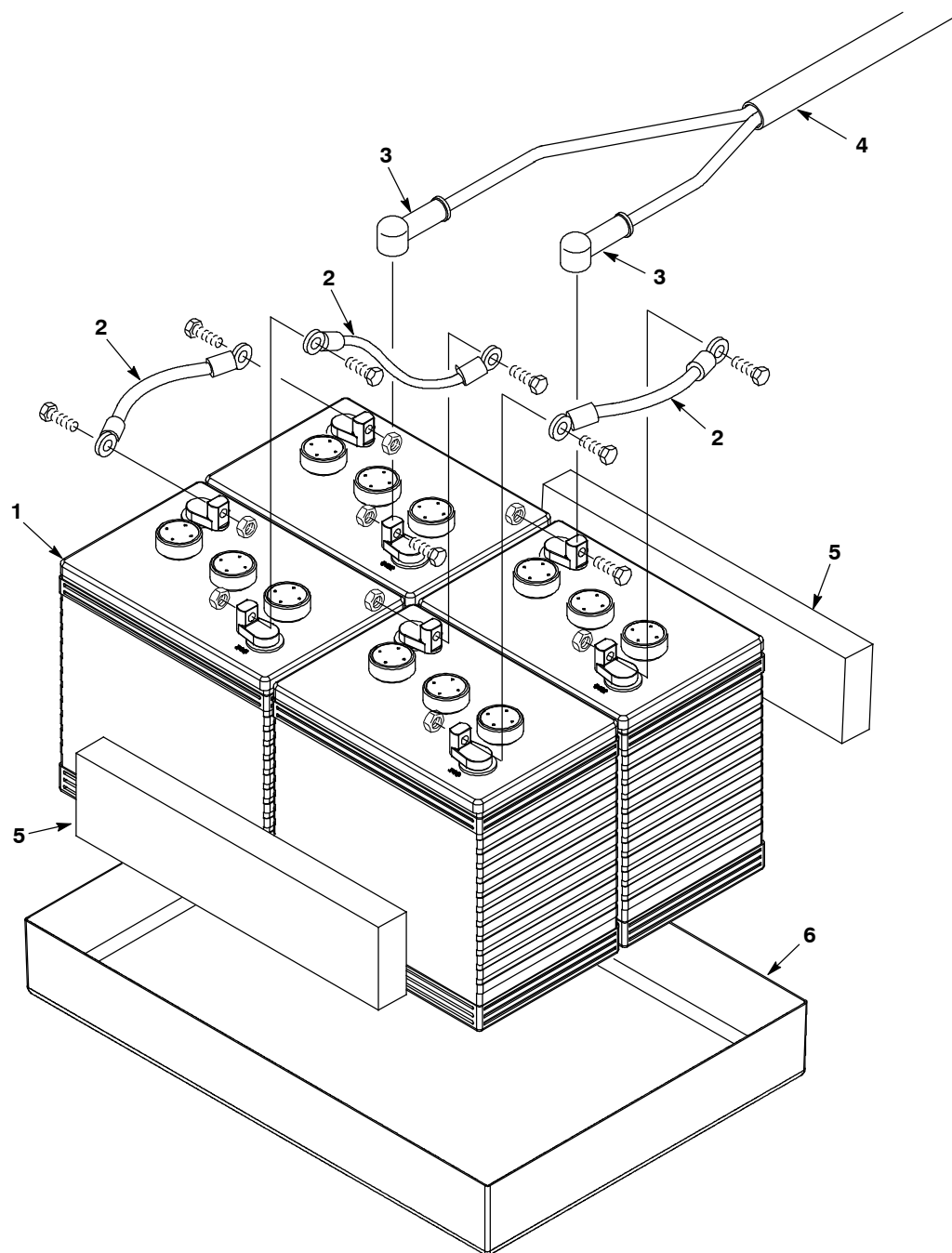
Ref.	Part No.	Serial Number	Description	Qty.	
1	1216224	(10742213-	) Bracket Wldt, Lift, Sqge [T5]	1	
2	9010085	(10742213-	) Control Box Assy Kit, Replmt, Telem[Usa]	1	
2	9010086	(10742213-	) Control Box Assy Kit, Replmt, Telem[Intl]	1	
3	1216841	(10742213-	) Guard Wldt, Controlbox	1	
4	1217789	(10742213-	) Cover, Guard	1	
5	32483	(10742213-	) Washer, Flat, 0.25, Sae	4	
6	06943	(10742213-	) Screw, Hex, M6 X 1.00 X 20, 8.8	4	
7	130773	(10742213-	) Tie, Cable, Nyl, 11.0l, .14w, 3.0 Max. D	1	
8	1006267	(10742213-	) Seal, Edge, Foam, .37, .75w, Bulk	1	
9	1070659	(10742213-	) Antenna, Telem, 70 In [Gprs]	1	
10	1217304	(10742213-	) Shunt [Empro, 250amp/50mv, Metric]	1	
11	391403	(10742213-	) Screw, Pan, Phl, M4 X 0.70 X 8, Ss	2	
12	02938	(10742213-	) Washer, Lock, Int, 08, Ss	2	
13	41578	(10742213-	) Washer, Flat, 06, Ss	2	
14	15675	(10742213-	) Screw, Hex, M8 X 1.25 X 16, Ss	2	
15	01685	(10742213-	) Washer, Flat, 0.38b 0.88d .08, Ss	2	
16	43952	(10742213-	) Washer, Lock, Int, 0.31, Ss	2	
17	1215919	(10742213-	) Bracket, Shunt	1	
18	1202868	(10742213-	) Clip, Tie, 0.25d, Plstc	2	
19	130773	(10742213-	) Tie, Cable, Nyl, 11.0l, .14w, 3.0 Max. D	9	
▽	20	1074445	(10742213-	) Harness, Ele, Telem [T5]	1
▲		9009990	(10742213-	) Vr, Fuse, 002a, 250vdc, Cartridge	1
	21	1070498	(10742213-	) Cable, 4ga, Blk [6200e, Telemetry]	1
	22	1074595	(10742213-	) Harness, Ele, Telem, Shunt	1
	23	1217818	(10742213-	) Sleeve, Heatshrink, 1.50id, 07.0l	1
	24	1069580	(10742213-	) Label, Mach, Telem [Usa, Intl]	1

▽ ASSEMBLY

▲ INCLUDED IN ASSEMBLY

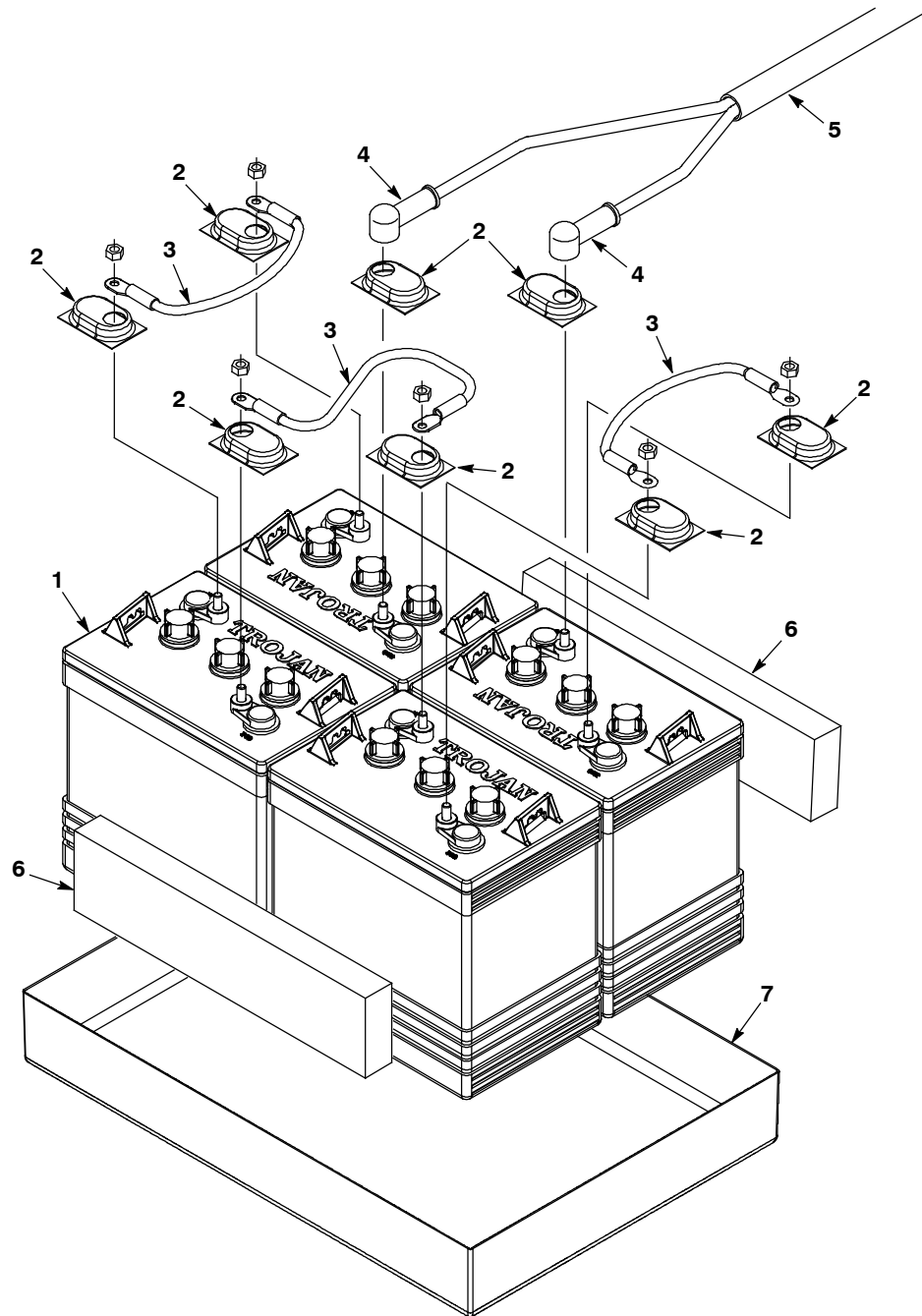
## STANDARD PARTS

### BATTERY GROUP, MAINTENANCE FREE 220 Ah



Ref.	Part No.	Serial Number	Description	Qty.
1	1074042	(00000000-	) Battery, Agm, 06vdc, 220ah (Discover)	4
2	130364	(00000000-	) Cable, 06ga 15.0l Blk .31ring /.38ring	3
3	611221	(00000000-	) Boot, Terminal, Battery, 25.4mm, Blk	8
4	1067443	(10632988-	) Harness, Battery, Fused, Us [T5]	1
4	1024479	(00000000- 10632987	) Harness, Battery, Us	1
5	630375	(00000000-	) Spacer, Battery, 1.25 X 3.25 X 13.7 Foam	2
6	613971	(00000000-	) Tray, Battery, Trimmed	1

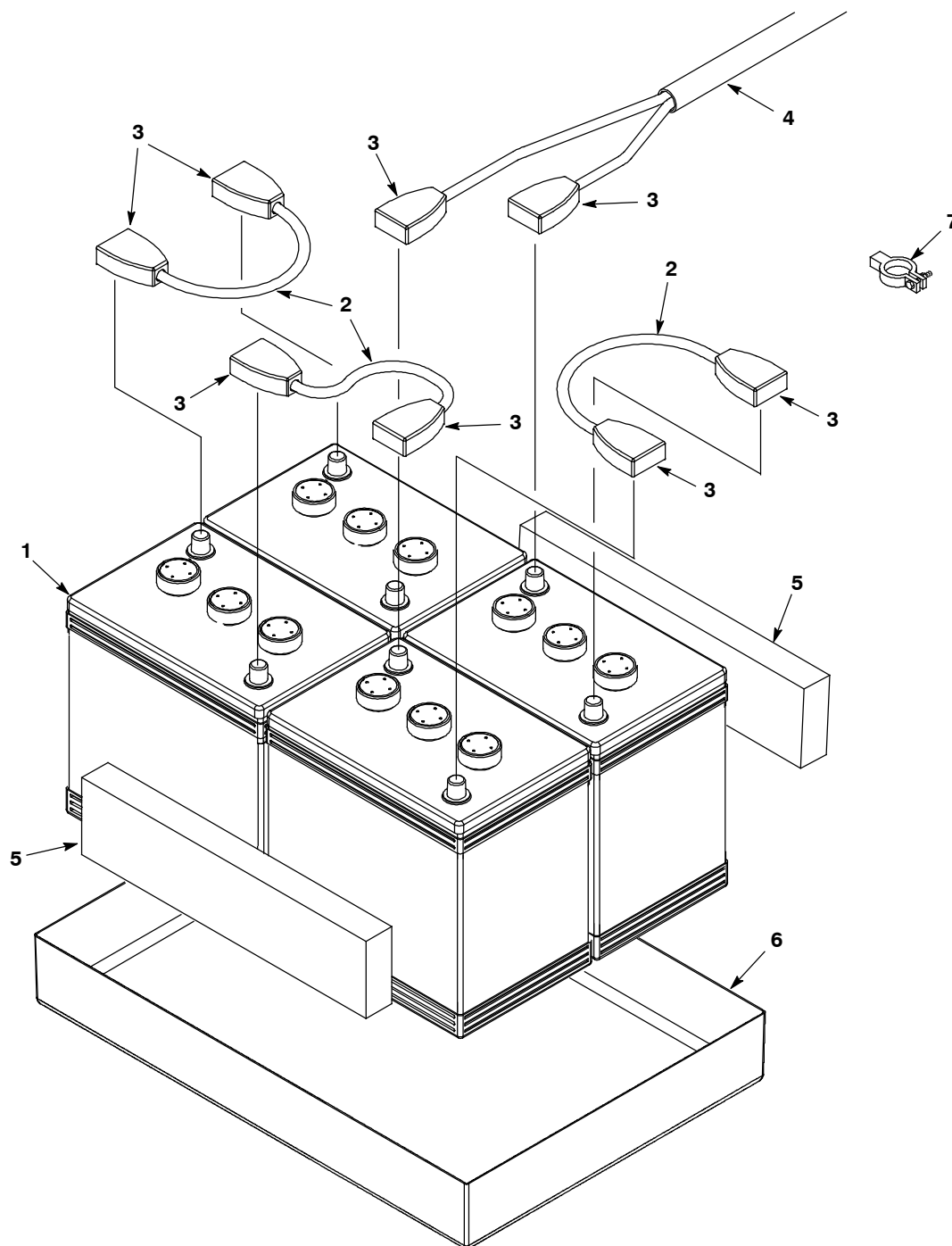
**BATTERY GROUP, LEAD-ACID 235 Ah**



Ref.	Part No.	Serial Number	Description	Qty.
1	222280	(00000000-	) Battery, 06vdc, 235ah, Wet	4
2	45962	(00000000-	) Cap, Plstc, .04 1.38 X 2.30 0.5l (Tall Clear - Standard)	8
2	1041030	(00000000-	) Cap, Battery (Short Black - Optional)	8
3	130364	(00000000-	) Cable, 06ga 15.0l Blk .31ring /.38ring	3
4	611221	(00000000-	) Boot, Terminal, Battery, 25.4mm, Blk	8
5	1067443	(10632988-	) Harness, Battery, Fused, Us [T5]	1
5	1024479	(00000000- 10632987	) Harness, Battery, Us	1
6	630375	(00000000-	) Spacer, Battery, 1.25 X 3.25 X 13.7 Foam	2
7	613971	(00000000-	) Tray, Battery, Trimmed	1

## STANDARD PARTS

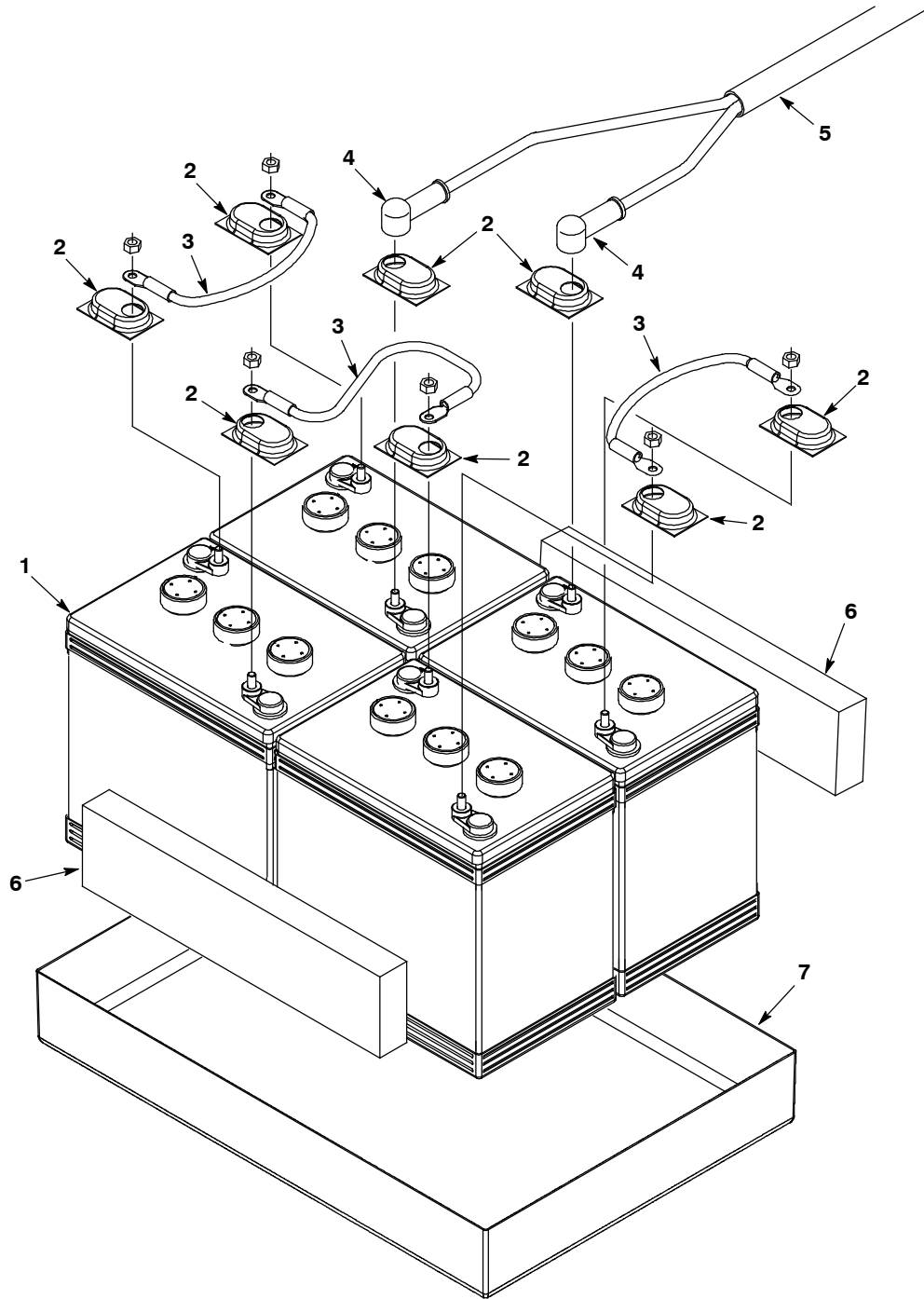
### BATTERY GROUP, MAINTENANCE FREE 160 Ah (JAPAN)



Ref.	Part No.	Serial Number	Description	Qty.
1	994202	(00000000- )	Battery, 06vdc 165ah [5h, Gf061602]	4
2	130364	(00000000- )	Cable, 06ga 15.0l Blk .31ring /.38ring	3
3	989860	(00000000- )	Cover Set, Terminal, Battery	4
4	1067443	(10632988- )	Harness, Battery, Fused, Us [T5]	1
4	1024479	(00000000- 10632987 )	Harness, Battery, Us	1
5	630375	(00000000- )	Spacer, Battery, 1.25 X 3.25 X 13.7 Foam	2
6	613971	(00000000- )	Tray, Battery, Trimmed	1
7	93580	(00000000- )	Clamp, Post, Battery, Positive	4
7	93581	(00000000- )	Clamp, Post, Battery, Negative	4



**BATTERY GROUP, LEAD ACID 180 Ah (JAPAN)**



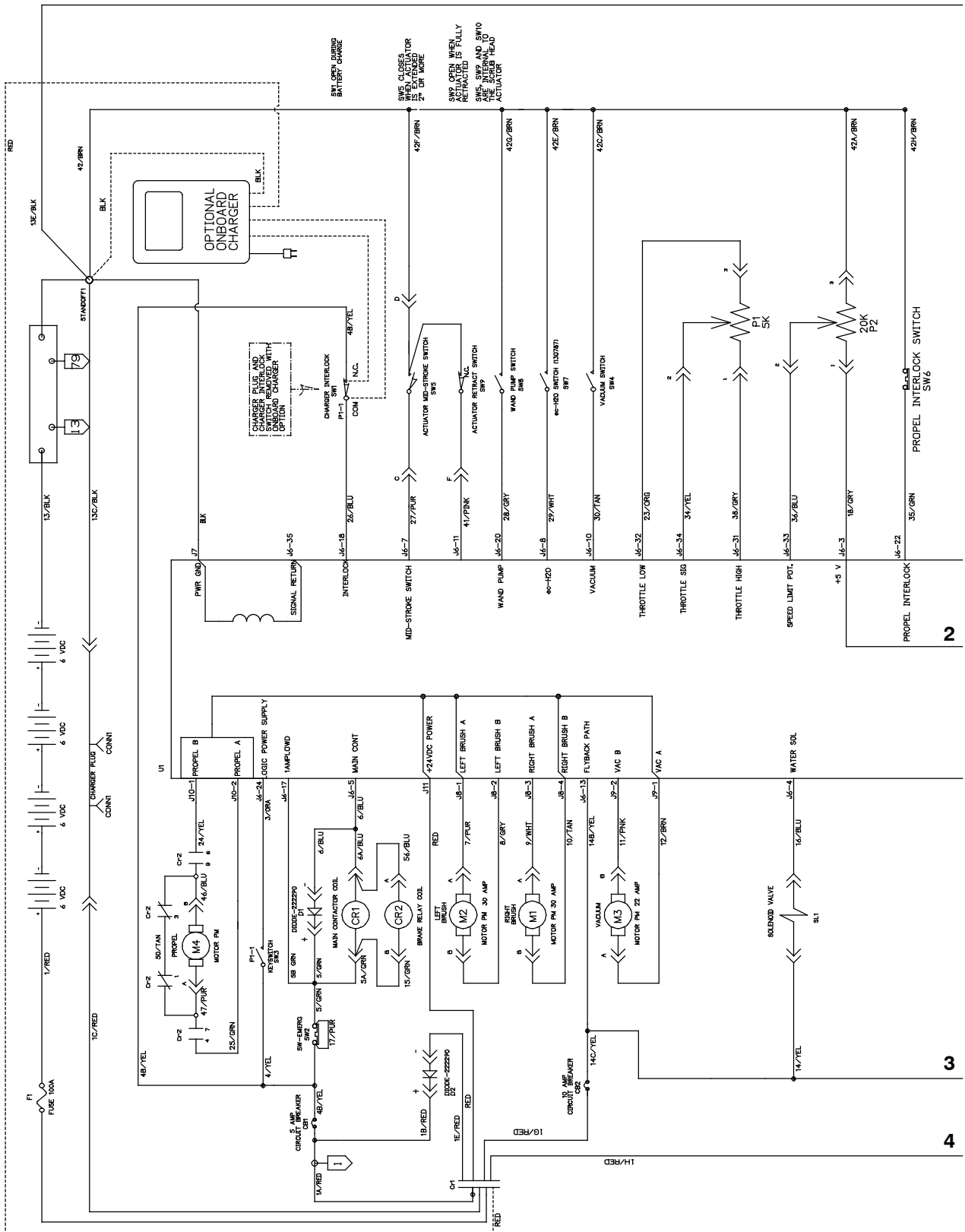
Ref.	Part No.	Serial Number	Description	Qty.
1	10155	(00000000-	) Battery, Wet, 06vdc	4
2	45962	(00000000-	) Cap, Plstc, .04 1.38 X 2.30 0.5l (Tall Clear - Standard)	8
2	1041030	(00000000-	) Cap, Battery (Short Black - Optional)	8
3	130364	(00000000-	) Cable, 06ga 15.0l Blk .31ring /.38ring	3
4	611221	(00000000-	) Boot, Terminal, Battery, 25.4mm, Blk	8
5	1067443	(10632988-	) Harness, Battery, Fused, Us [T5]	1
5	1024479	(00000000- 10632987	) Harness, Battery, Us	1
6	630375	(00000000-	) Spacer, Battery, 1.25 X 3.25 X 13.7 Foam	2
7	613971	(00000000-	) Tray, Battery, Trimmed	1

# STANDARD PARTS

## ELECTRICAL DIAGRAM, STANDARD, FaST & ec-H2O MODELS (S/N 10742213- )

1044406\_G

1



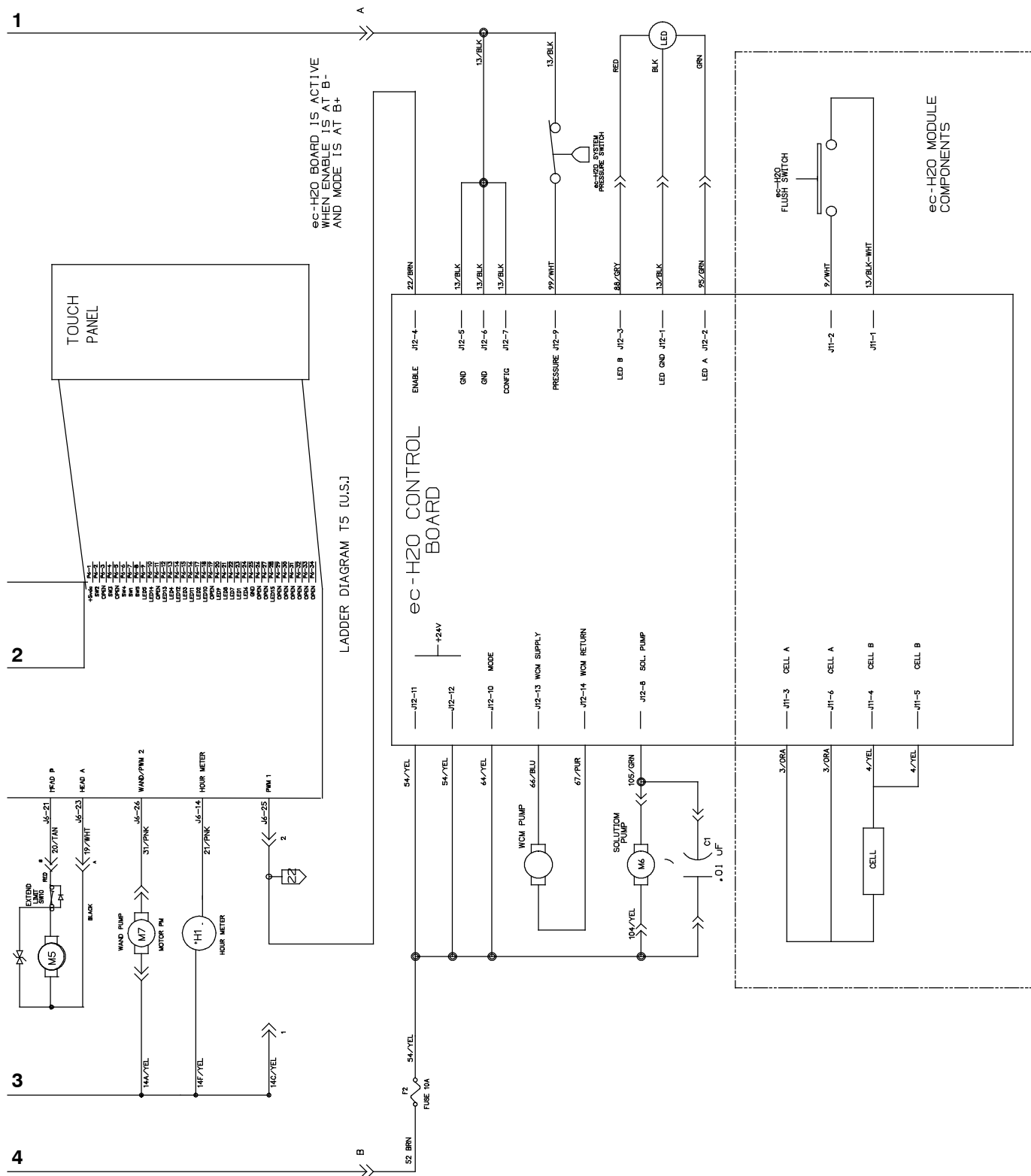
2

3

4

ELECTRICAL DIAGRAM, STANDARD, FaST & ec-H2O MODELS  
(S/N 10742213- )

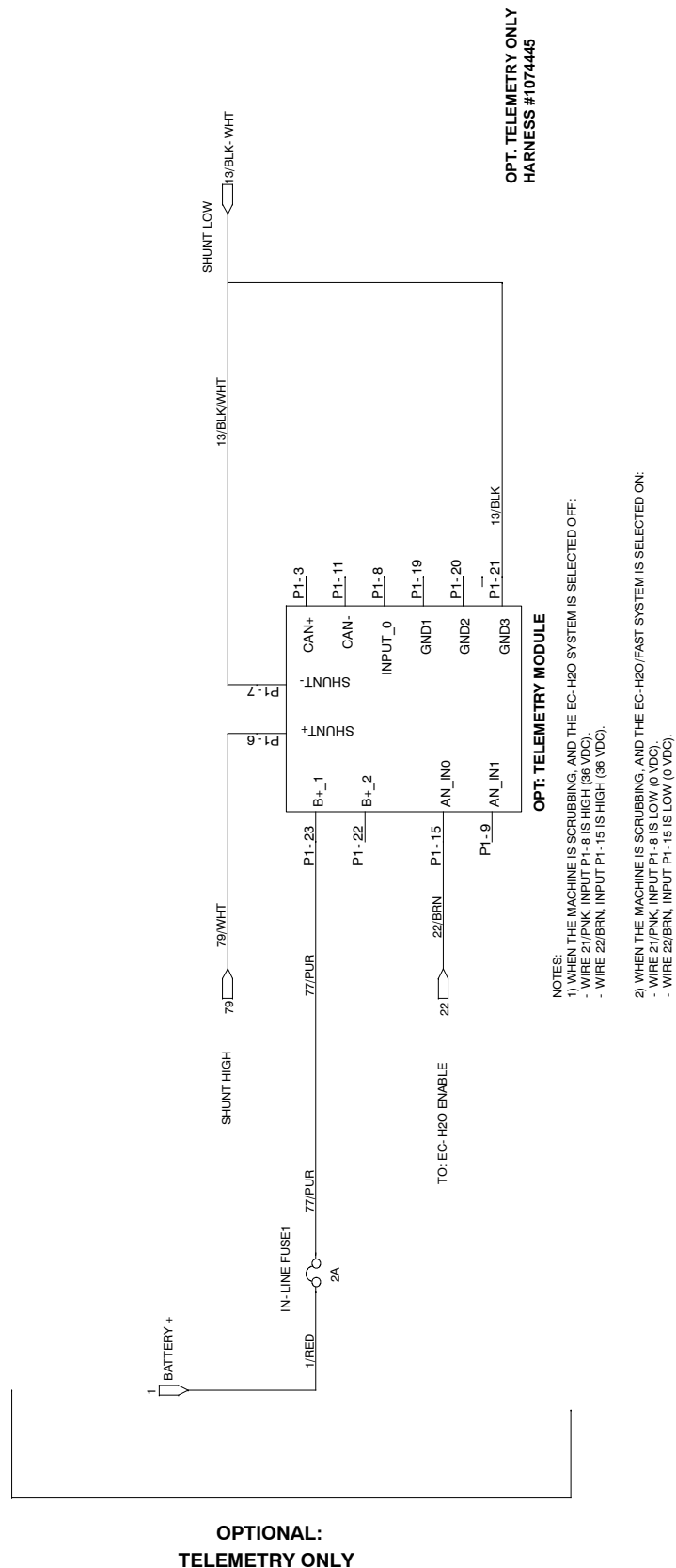
1044406\_G



# STANDARD PARTS

## ELECTRICAL DIAGRAM, STANDARD, FaST & ec-H2O MODELS (S/N 10742213- )

1044406\_G

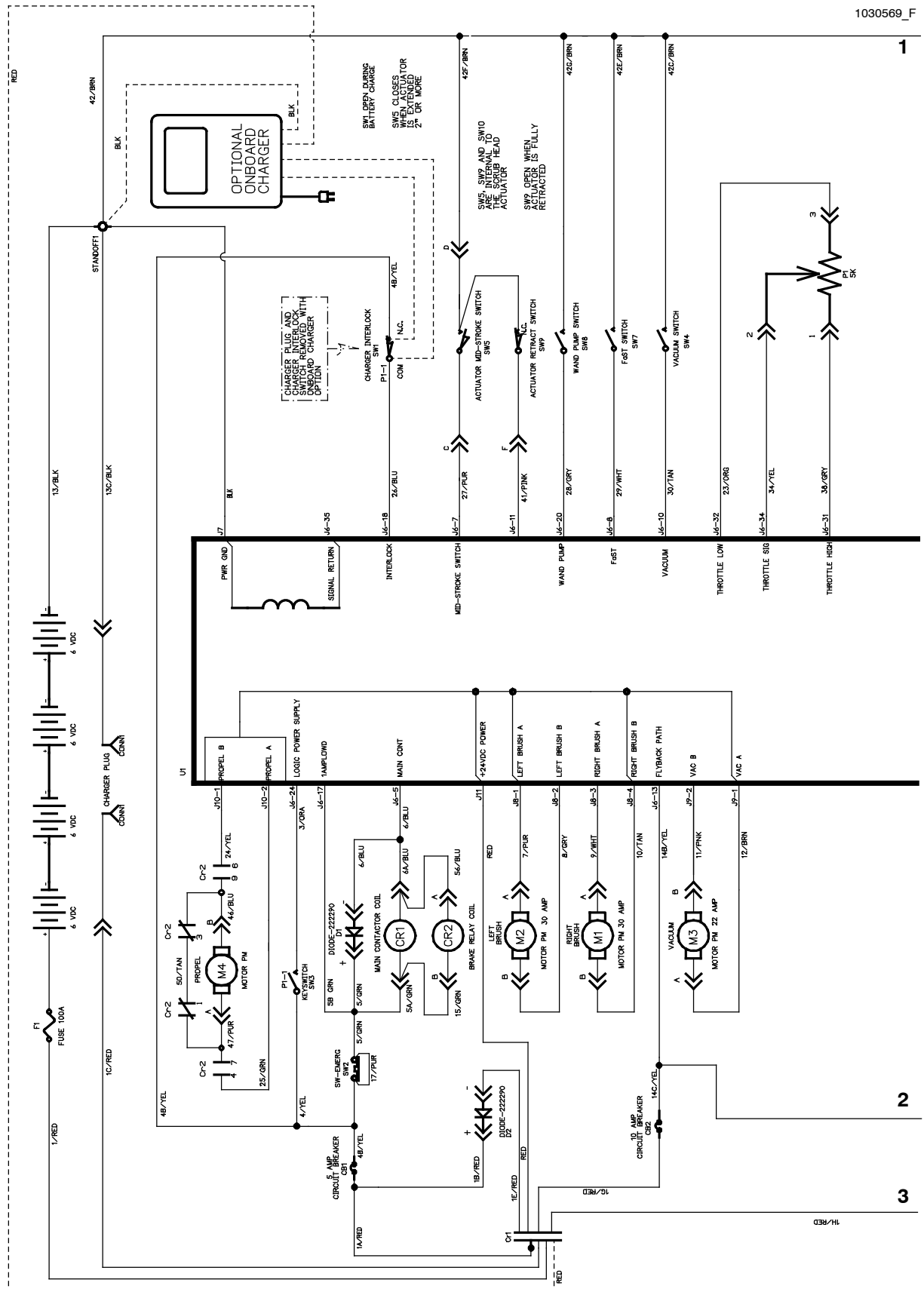




# STANDARD PARTS

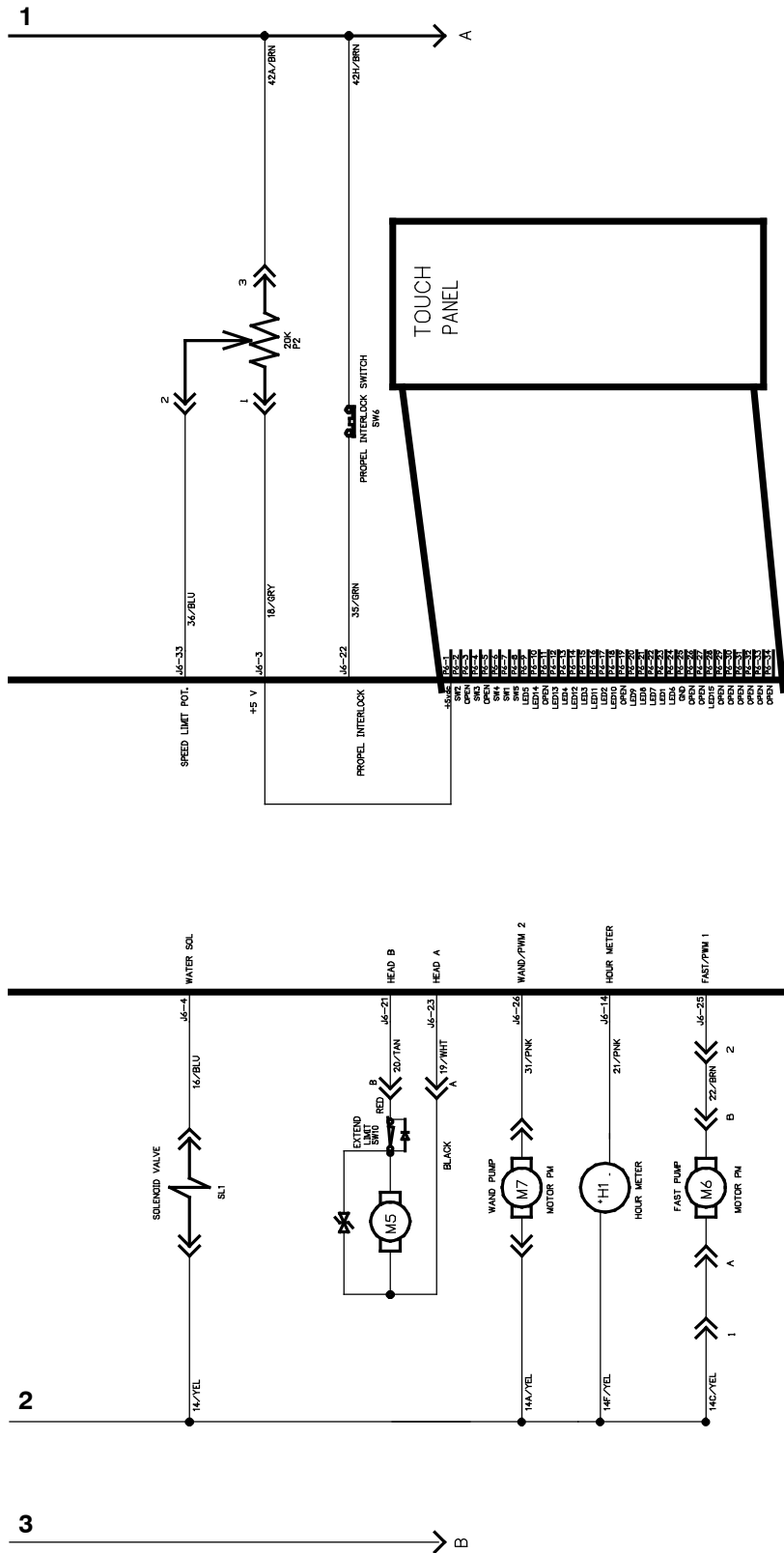
## ELECTRICAL DIAGRAM, STANDARD & FaST MODEL (S/N 10632988- 10742212)

1030569\_F



**ELECTRICAL DIAGRAM, STANDARD & FaST MODEL  
(S/N 10632988- 10742212)**

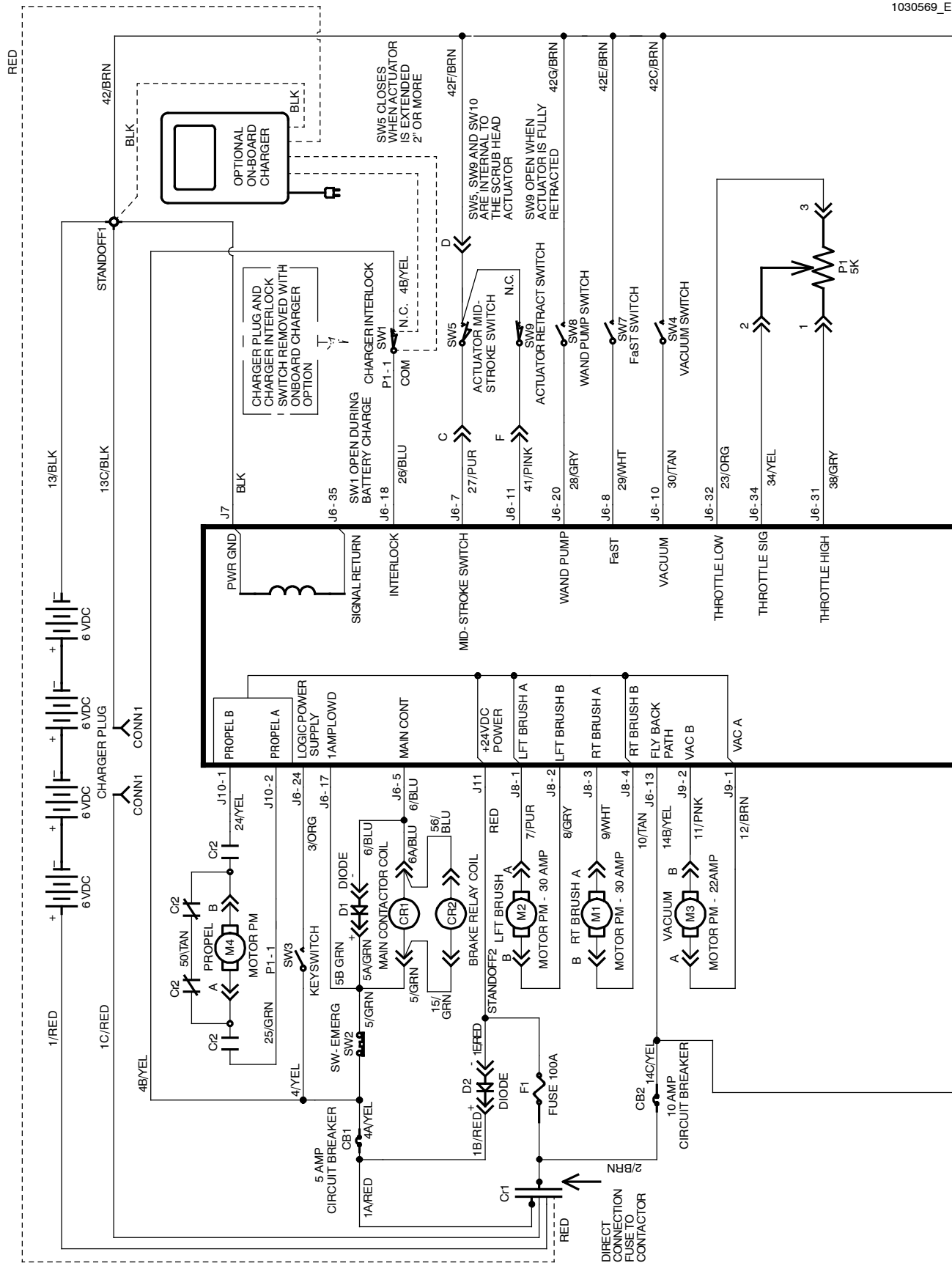
1030569\_F



# STANDARD PARTS

## ELECTRICAL DIAGRAM, STANDARD & FaST MODEL (S/N 0000000-10632987)

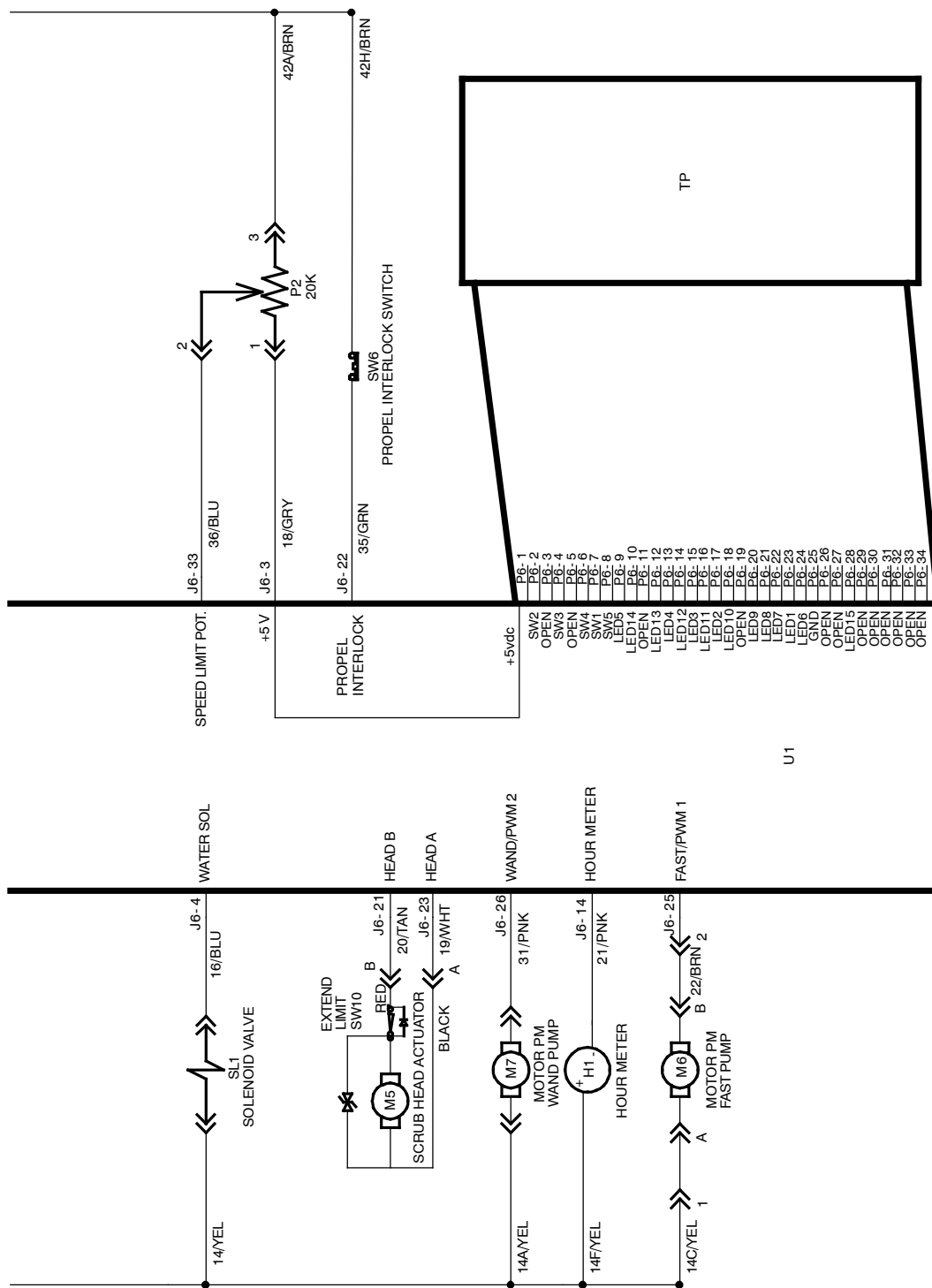
1030569\_E





**ELECTRICAL DIAGRAM, STANDARD & FaST MODEL (S/N 00000000- 10632987)**

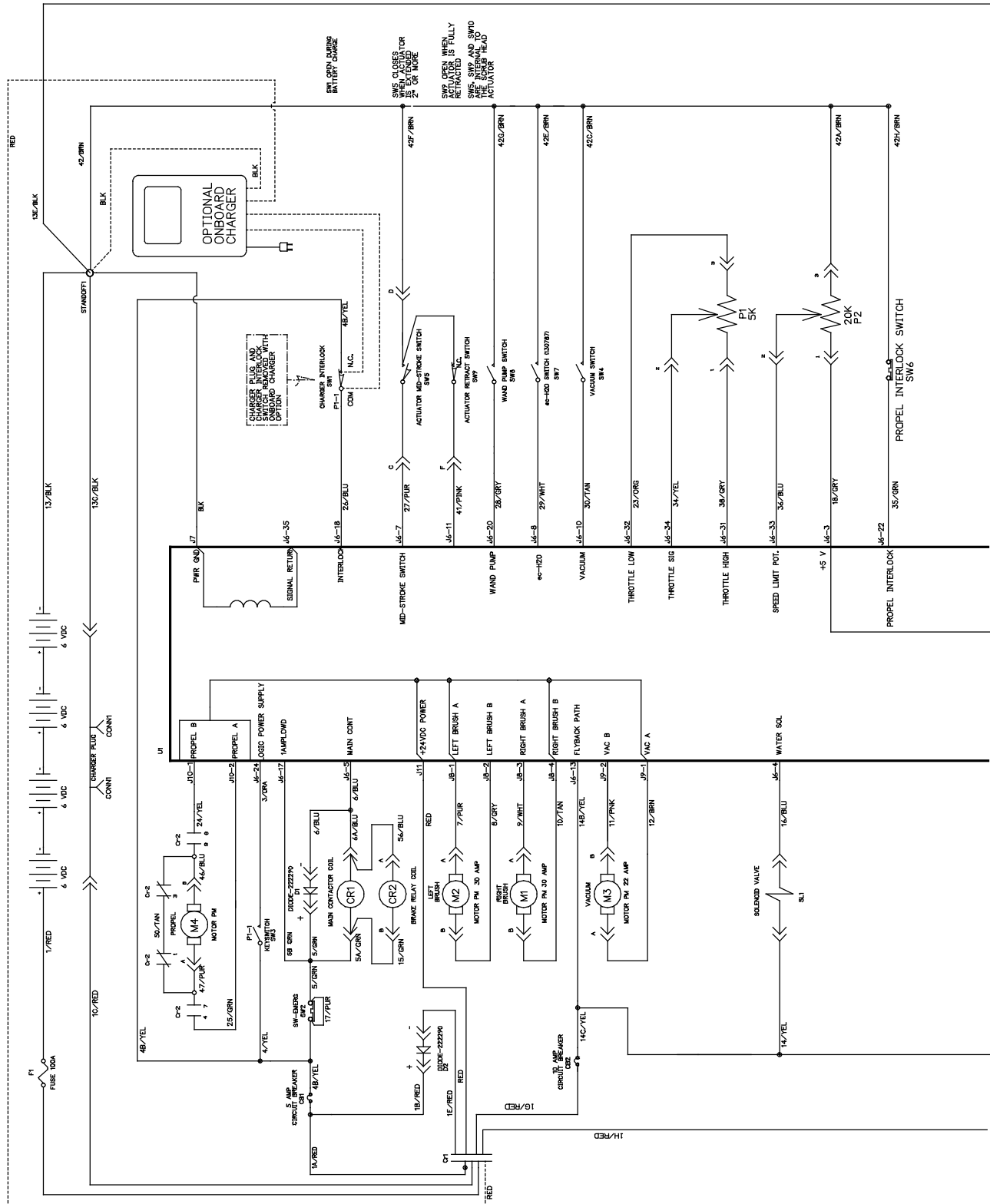
1030569\_E



# STANDARD PARTS

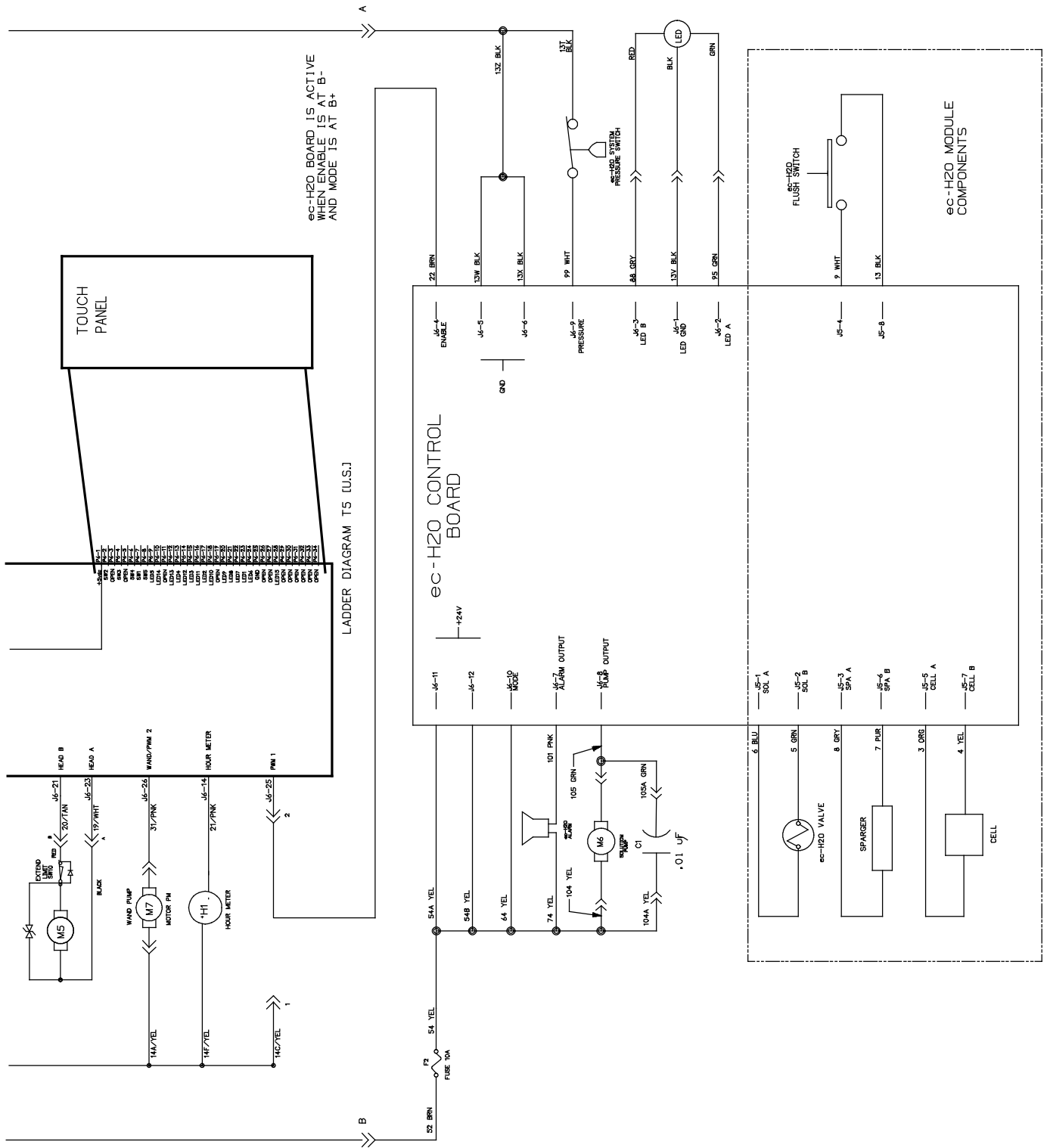
## ELECTRICAL DIAGRAM, *ec-H2O* MODEL (S/N 10632988- 10742212)

1044406\_D



ELECTRICAL DIAGRAM, *ec-H2O* MODEL (S/N 10632988- 10742212)

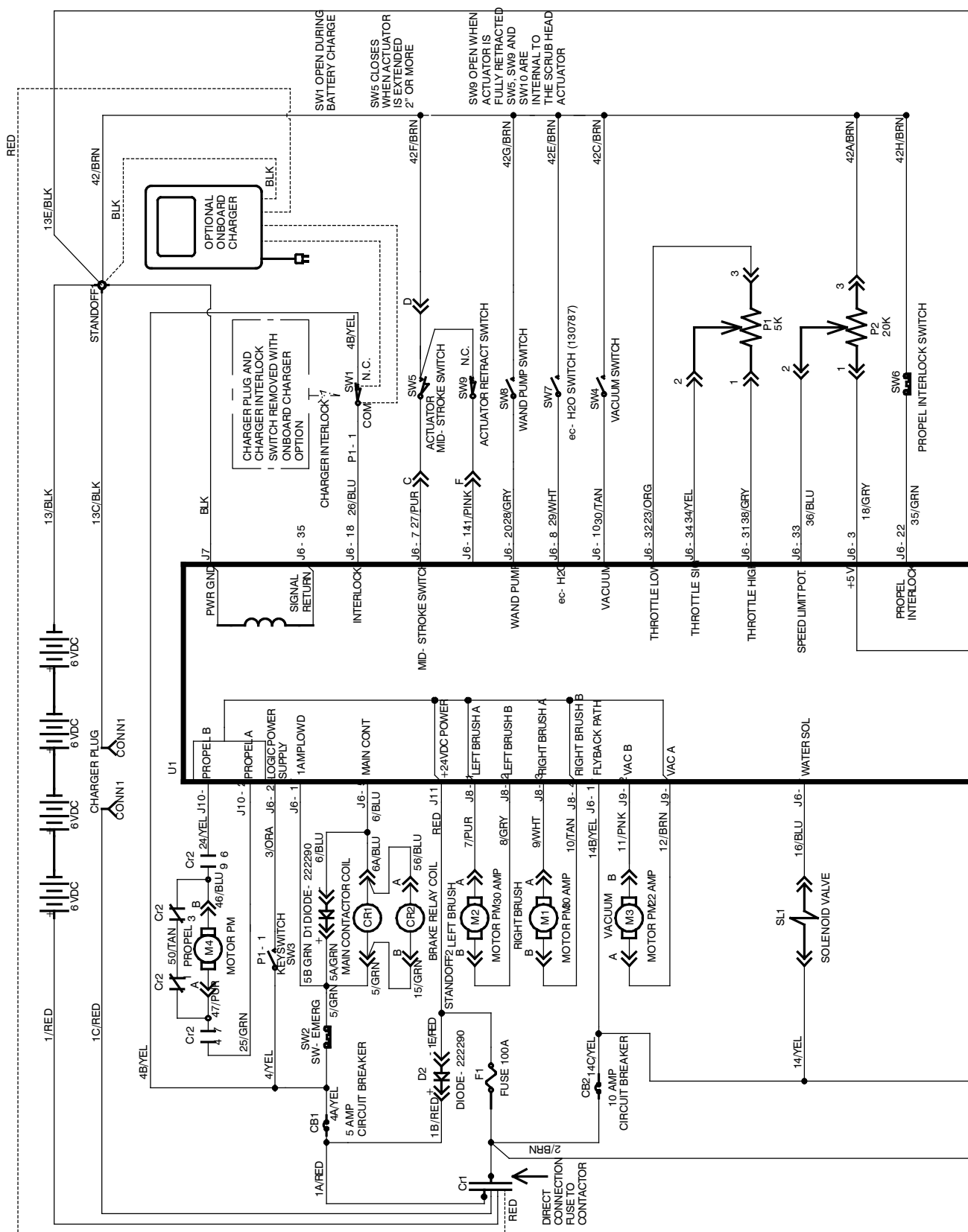
1044406\_D



# STANDARD PARTS

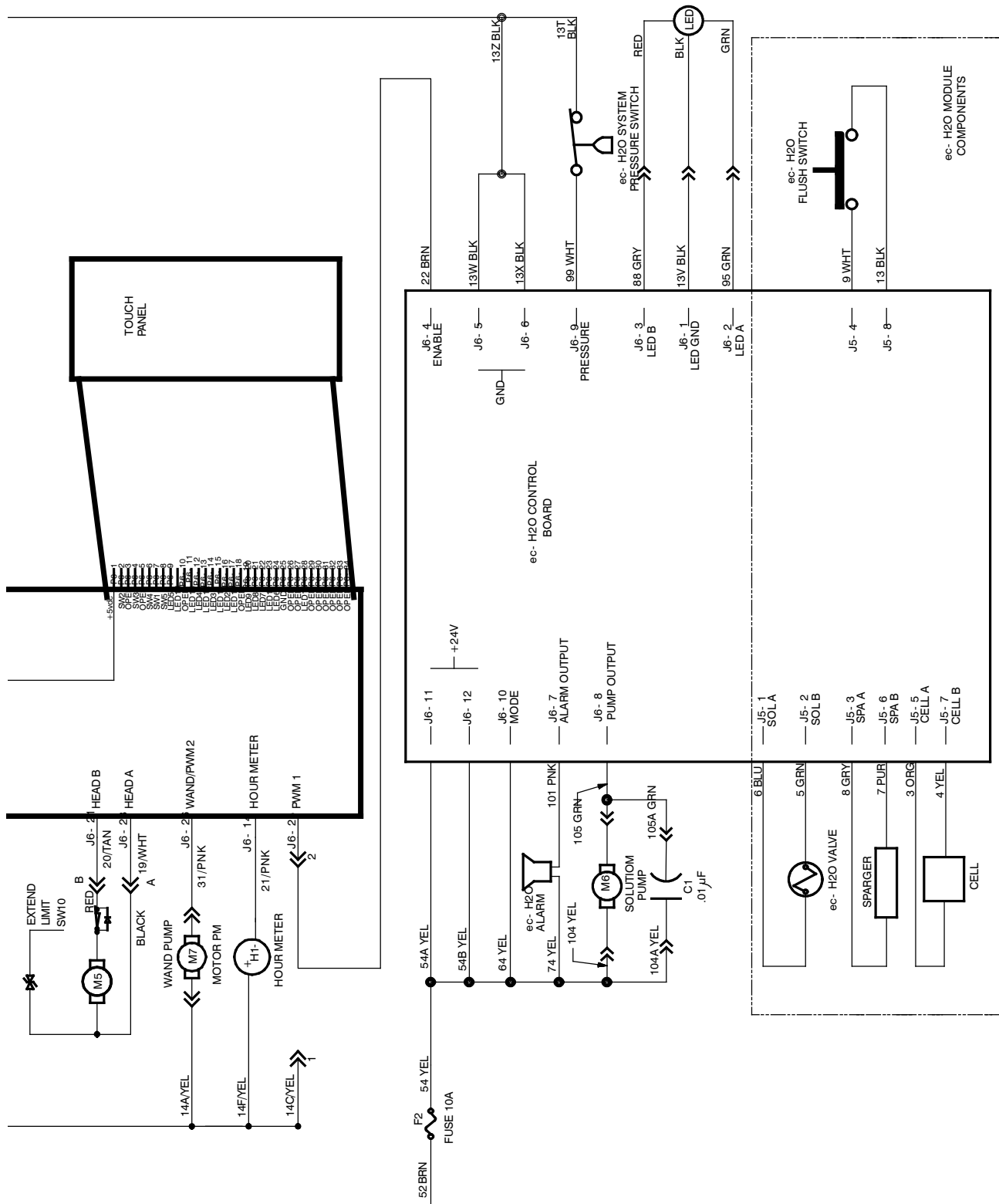
## ELECTRICAL DIAGRAM, *ec-H2O* MODEL (S/N 0000000- 10632987)

1044406\_C



ELECTRICAL DIAGRAM, ec-H2O MODEL (S/N 0000000- 10632987)

1044406\_C



# STANDARD PARTS

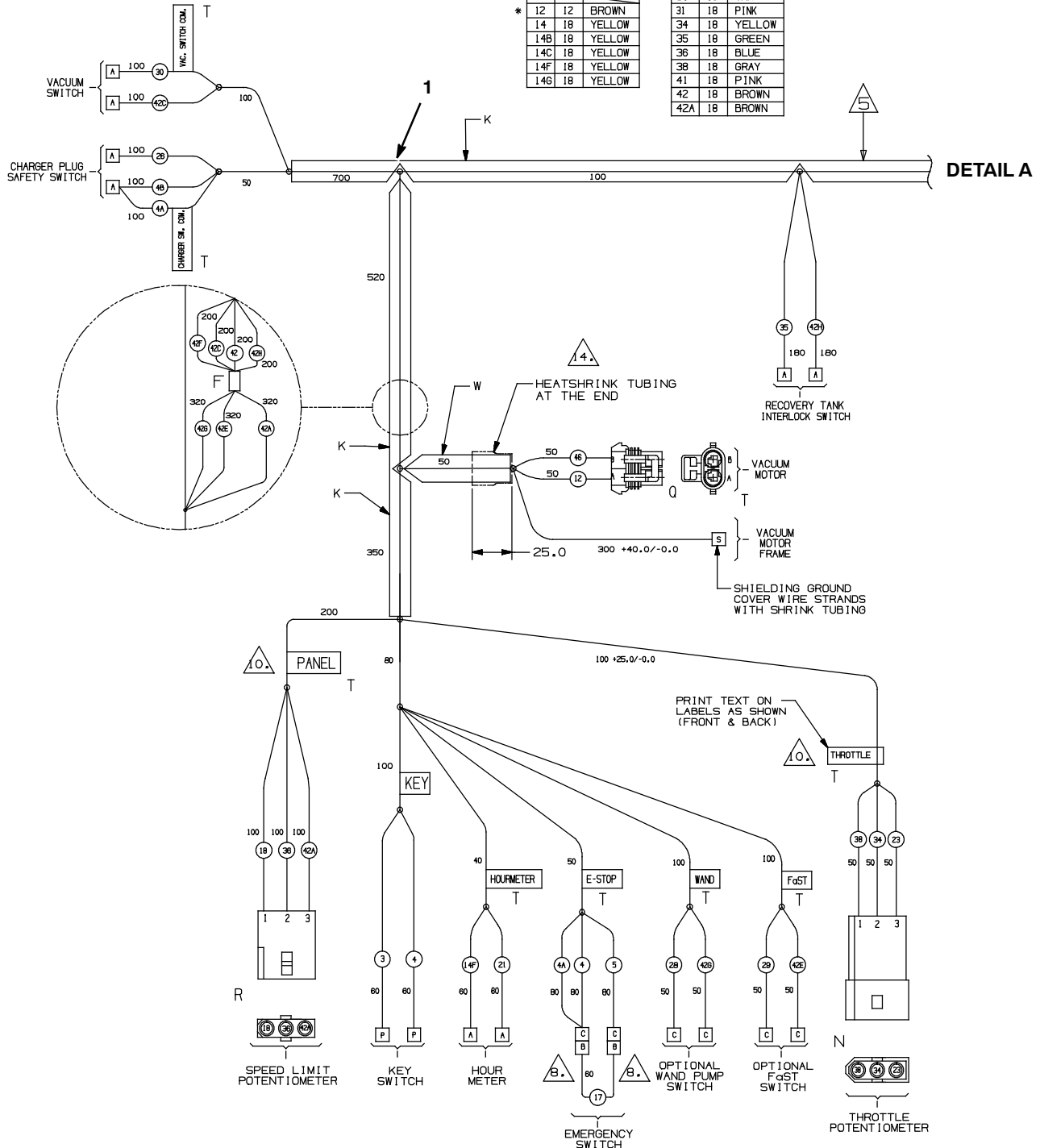
## WIRE HARNESS GROUP, MAIN (S/N 10632988- )

WIRE No1	AWG	COLOR
1A	18	RED
1B	18	RED
1E	18	RED
2	18	BROWN
3	18	ORANGE
4	18	YELLOW
4A	18	YELLOW
4B	18	YELLOW
5	18	GREEN
5A	18	GREEN
5B	18	GREEN
6	18	BLUE
6A	18	BLUE
* 12	12	BROWN
14	18	YELLOW
14B	18	YELLOW
14C	18	YELLOW
14F	18	YELLOW
14G	18	YELLOW

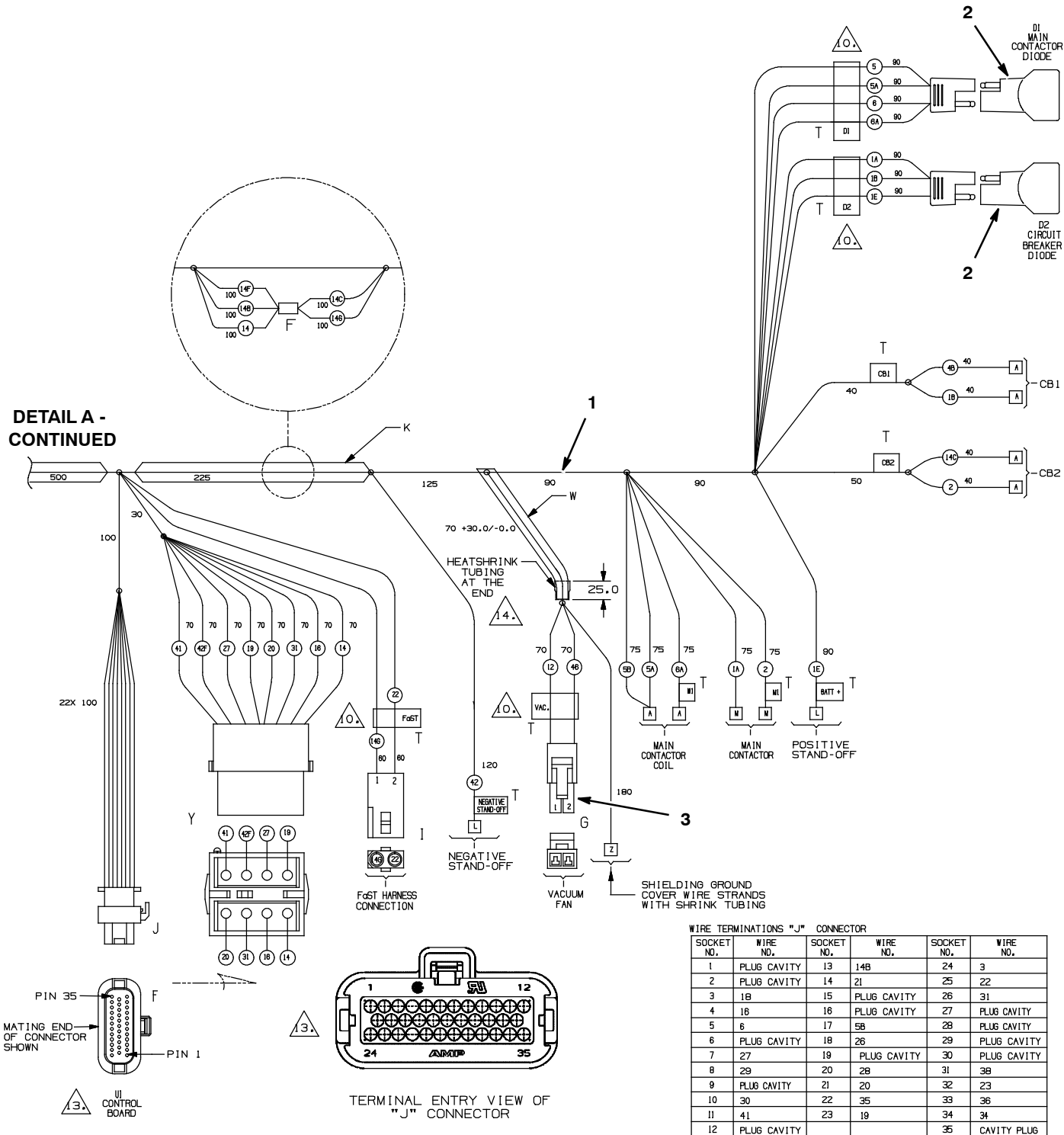
WIRE No1	AWG	COLOR
16	18	BLUE
17	18	PURPLE
18	18	GREY
19	18	WHITE
20	18	TAN
21	18	PINK
22	18	BROWN
23	18	ORANGE
26	18	BLUE
27	18	PURPLE
28	18	GREY
29	18	WHITE
30	18	TAN
31	18	PINK
34	18	YELLOW
35	18	GREEN
36	18	BLUE
38	18	GRAY
41	18	PINK
42	18	BROWN
42A	18	BROWN

WIRE No1	AWG	COLOR
42C	18	BROWN
42E	18	BROWN
42F	18	BROWN
42G	18	BROWN
42H	18	BROWN
* 46	12	BLUE

\* WIRE #46 AND #12 ARE SHIELDED CABLE.



**WIRE HARNESS GROUP, MAIN (S/N 10632988- ) - CONT'D**



Ref.	Part No.	Serial Number	Description	Qty.
1	1066855	(10632988-	) Harness, Main [T5, Na] (NA/JP)	1
2	222290	(00000000-	) Diode, Ele, Plug	2
3	1013835	(00000000-	) Connector Body, Fem, 2 Recept.[Molex]	1

# STANDARD PARTS

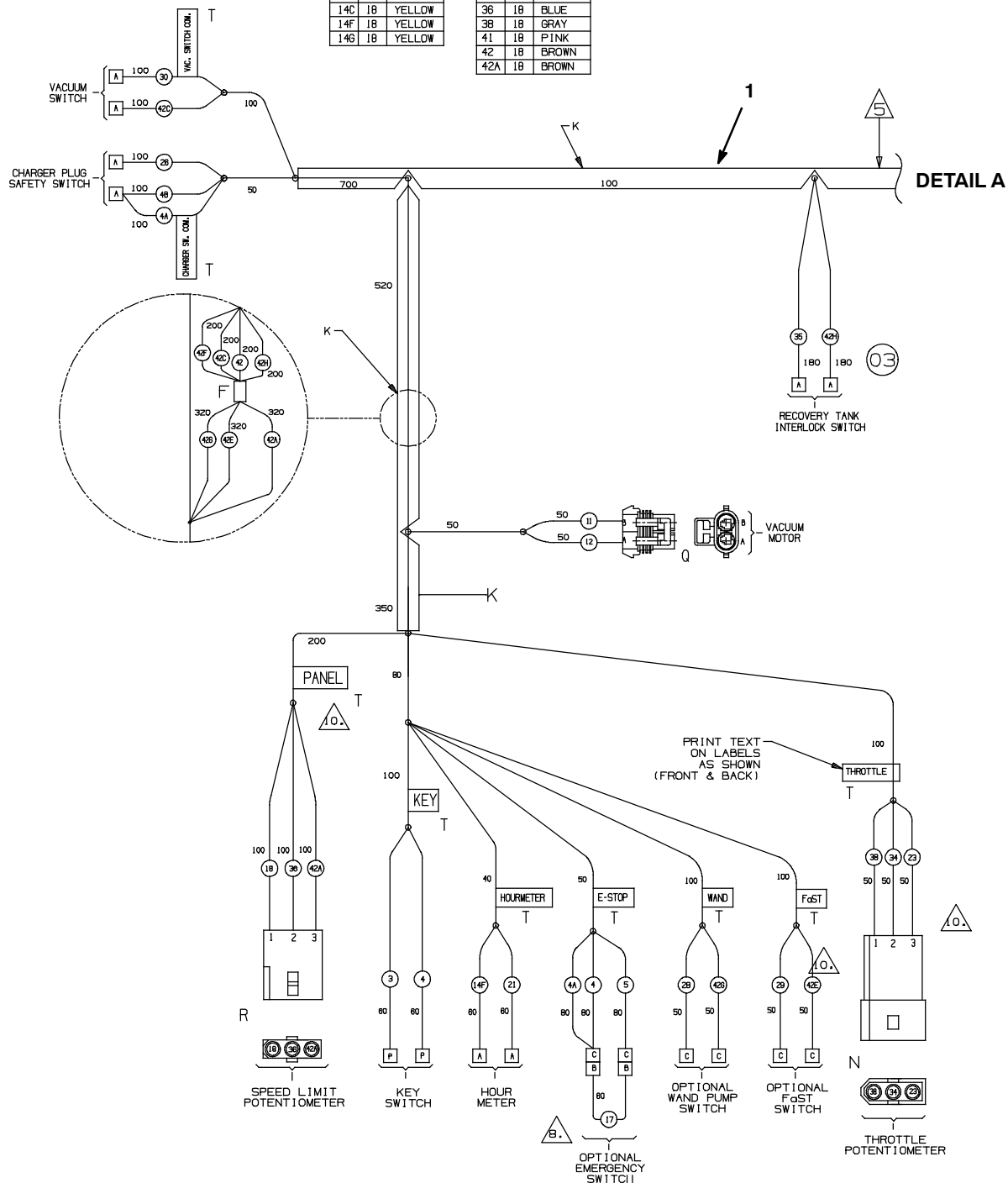
## WIRE HARNESS GROUP, MAIN (S/N 0000000- 10632987)

355121

WIRE No:	AWG	COLOR
1A	18	RED
1B	18	RED
1E	18	RED
2	18	BROWN
3	18	ORANGE
4	18	YELLOW
4A	18	YELLOW
4B	18	YELLOW
5	18	GREEN
5A	18	GREEN
5B	18	GREEN
6	18	BLUE
6A	18	BLUE
11	12	PINK
12	12	BROWN
14	18	YELLOW
14B	18	YELLOW
14C	18	YELLOW
14F	18	YELLOW
14G	18	YELLOW

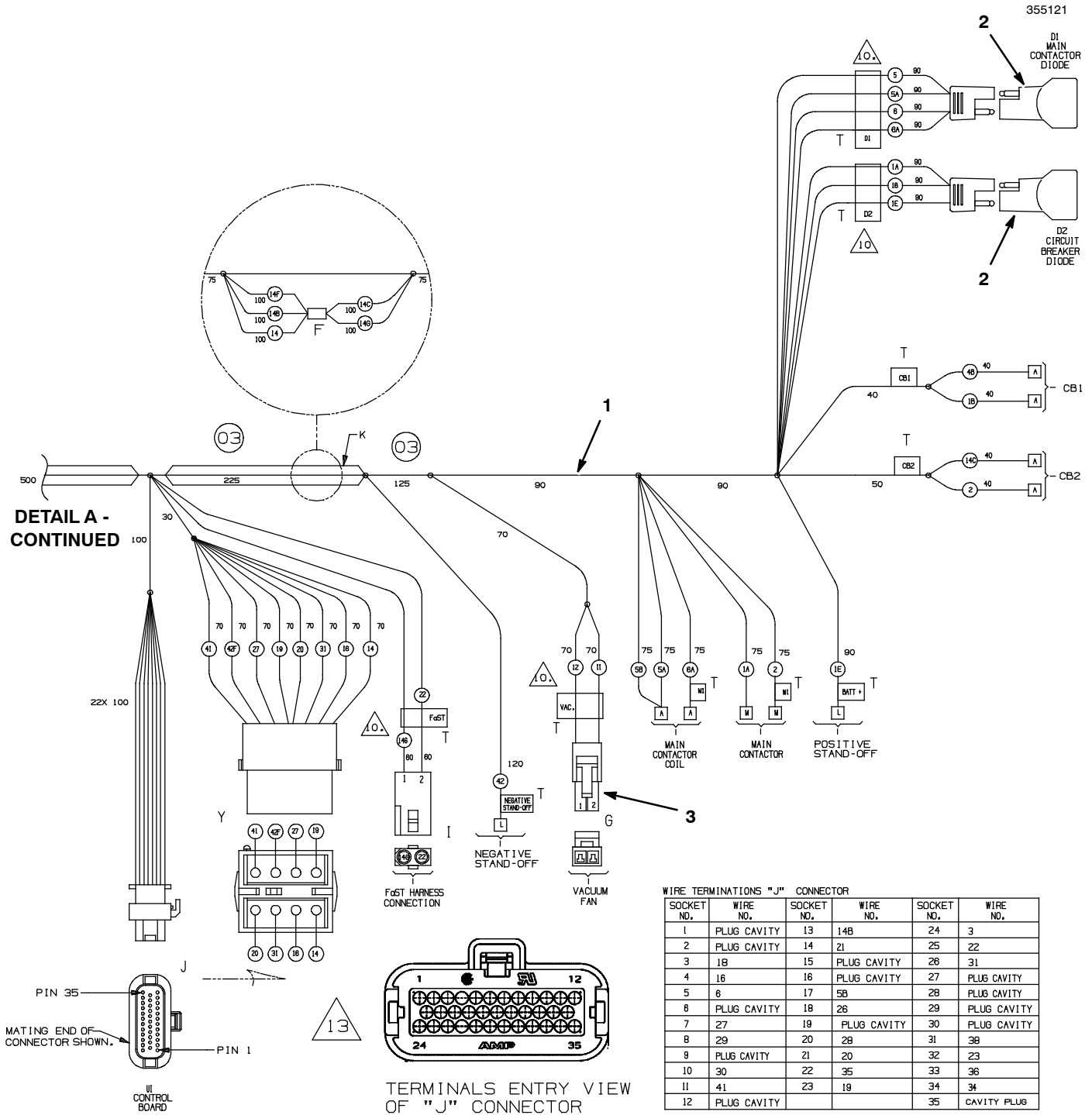
WIRE No:	AWG	COLOR
16	18	BLUE
17	18	PURPLE
18	18	GREY
19	18	WHITE
20	18	TAN
21	18	PINK
22	18	BROWN
23	18	ORANGE
26	18	BLUE
27	18	PURPLE
28	18	GREY
29	18	WHITE
30	18	TAN
31	18	PINK
34	18	YELLOW
35	18	GREEN
36	18	BLUE
38	18	GRAY
41	18	PINK
42	18	BROWN
42A	18	BROWN

WIRE No:	AWG	COLOR
42C	18	BROWN
42E	18	BROWN
42F	18	BROWN
42S	18	BROWN
42H	18	BROWN





**WIRE HARNESS GROUP, MAIN (S/N 00000000- 10632987) - CONT'D**



Ref.	Part No.	Serial Number	Description	Qty.
1	1020488	(00000000- 10632987 )	Harness, Main [T5] (NA/JP)	1
2	222290	(00000000-	Diode, Ele, Plug	2
3	1013835	(00000000-	Connector Body, Fem, 2 Recept.[Molex]	1

# STANDARD PARTS

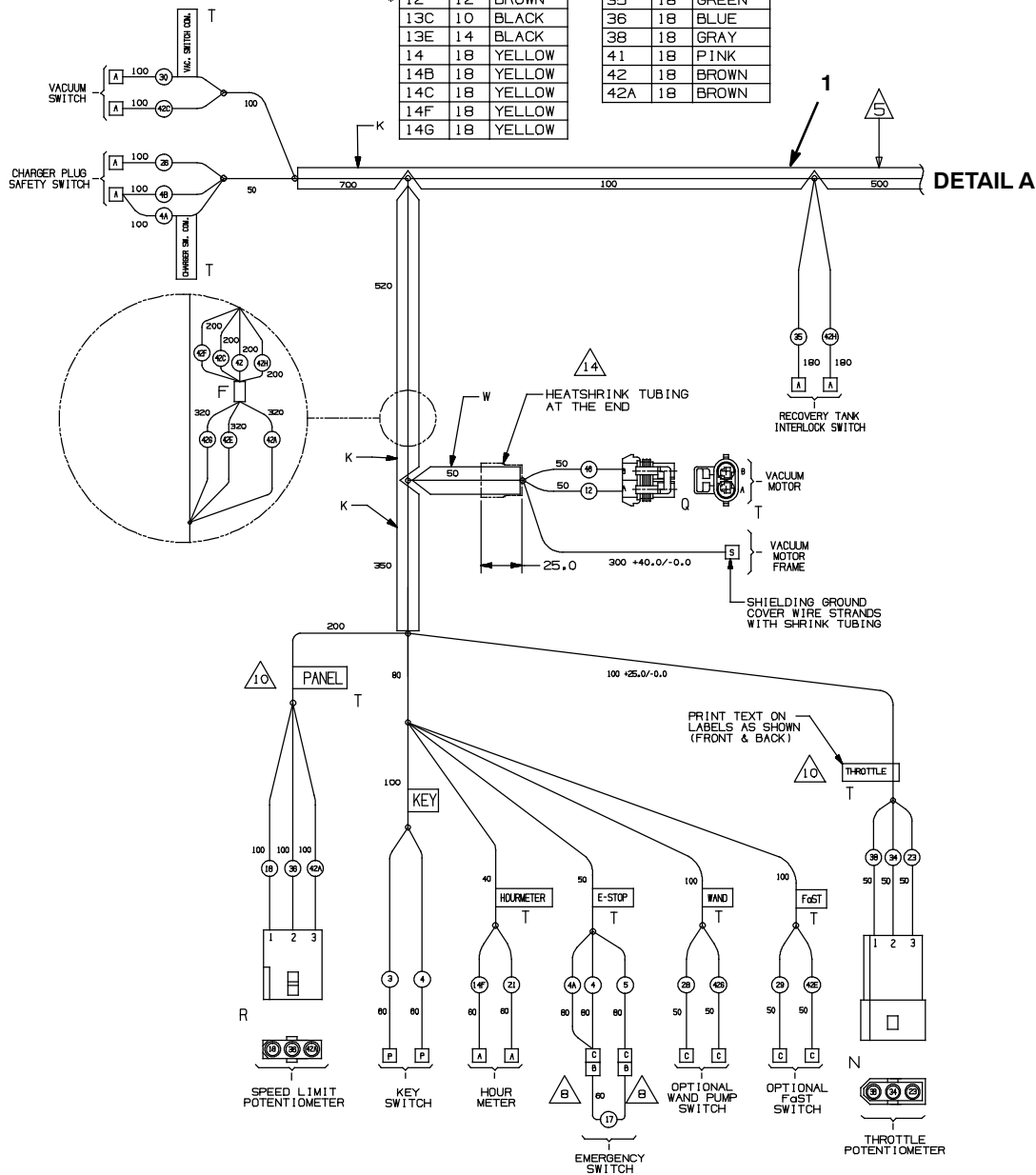
## WIRE HARNESS GROUP, MAIN AUSTRALIA (S/N 10632988- )

WIRE NO:	AWG	COLOR
1A	18	RED
1B	18	RED
1C	10	RED
1E	18	RED
1G	16	RED
1H	14	RED
3	18	ORANGE
4	18	YELLOW
4A	18	YELLOW
4B	18	YELLOW
5	18	GREEN
5A	18	GREEN
5B	18	GREEN
6	18	BLUE
6A	18	BLUE
* 12	12	BROWN
13C	10	BLACK
13E	14	BLACK
14	18	YELLOW
14B	18	YELLOW
14C	18	YELLOW
14F	18	YELLOW
14G	18	YELLOW

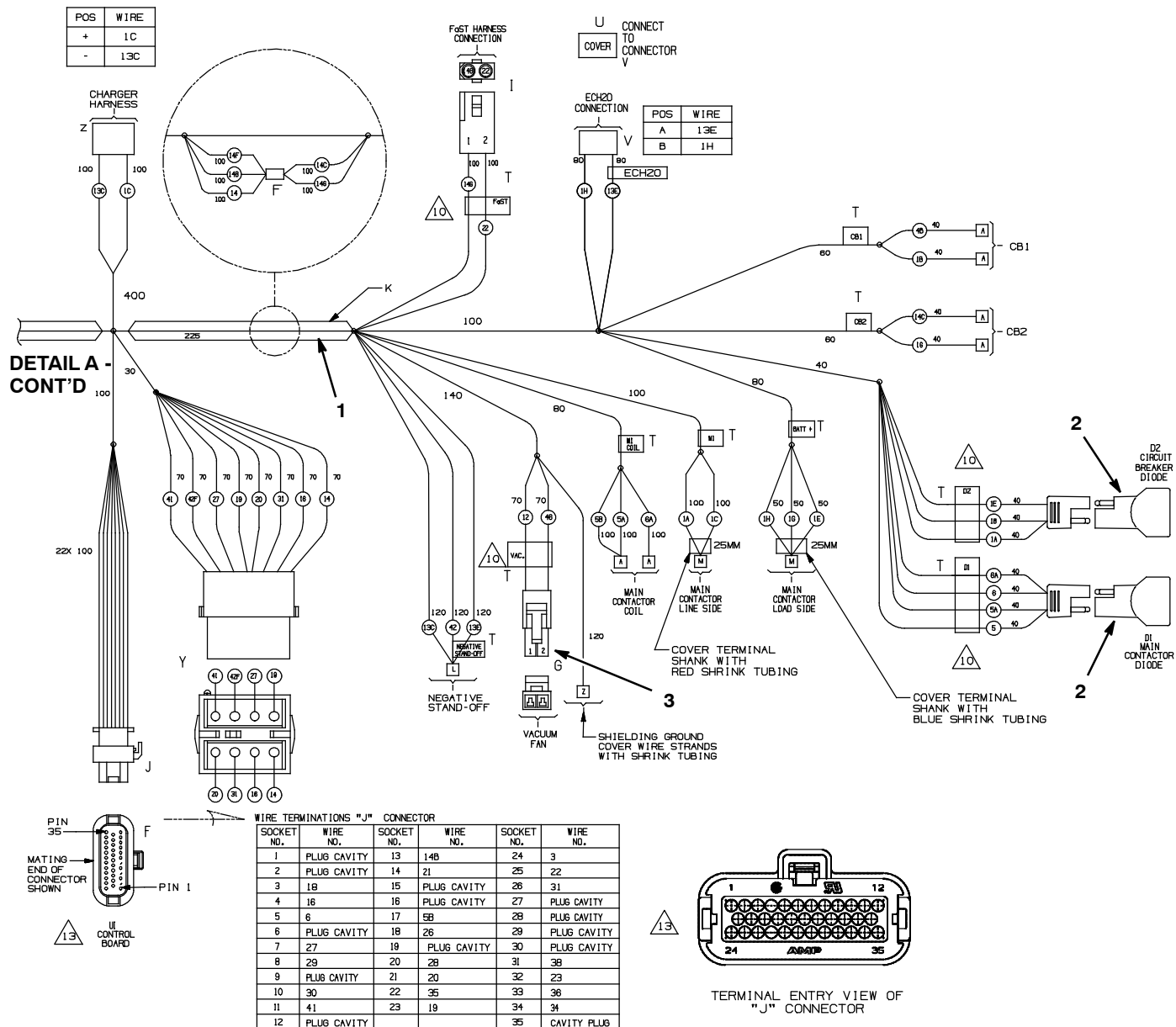
WIRE NO:	AWG	COLOR
16	18	BLUE
17	18	PURPLE
18	18	GREY
19	18	WHITE
20	18	TAN
21	18	PINK
22	18	BROWN
23	18	ORANGE
26	18	BLUE
27	18	PURPLE
28	18	GREY
29	18	WHITE
30	18	TAN
31	18	PINK
34	18	YELLOW
35	18	GREEN
36	18	BLUE
38	18	GRAY
41	18	PINK
42	18	BROWN
42A	18	BROWN

WIRE NO:	AWG	COLOR
42C	18	BROWN
42E	18	BROWN
42F	18	BROWN
42G	18	BROWN
42H	18	BROWN
* 46	12	BLUE

\* WIRE #12 AND #46 ARE SHIELDED CABLE: QLFLEX CLASSIC 100SY #0016101



**WIRE HARNESS GROUP, MAIN AUSTRALIA (S/N 10632988- ) - CONT'D**



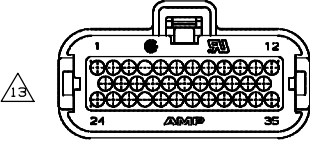
POS	WIRE
+	1C
-	13C

U CONNECT TO CONNECTOR COVER

POS	WIRE
A	13E
B	1H

WIRE TERMINATIONS "J" CONNECTOR

SOCKET NO.	WIRE NO.	SOCKET NO.	WIRE NO.	SOCKET NO.	WIRE NO.
1	PLUG CAVITY	13	14B	24	3
2	PLUG CAVITY	14	21	25	22
3	18	15	PLUG CAVITY	26	31
4	16	16	PLUG CAVITY	27	PLUG CAVITY
5	6	17	5B	28	PLUG CAVITY
6	PLUG CAVITY	18	26	29	PLUG CAVITY
7	27	19	PLUG CAVITY	30	PLUG CAVITY
8	29	20	28	31	38
9	PLUG CAVITY	21	20	32	23
10	30	22	35	33	36
11	41	23	19	34	34
12	PLUG CAVITY			35	CAVITY PLUG



TERMINAL ENTRY VIEW OF "J" CONNECTOR

Ref.	Part No.	Serial Number	Description	Qty.
1	1067933	(10632988- )	Harness, Main [T5, Aus]	1
2	222290	(00000000- )	Diode, Ele, Plug	2
3	1013835	(00000000- )	Connector Body, Fem, 2 Recept.[Molex]	1

# STANDARD PARTS

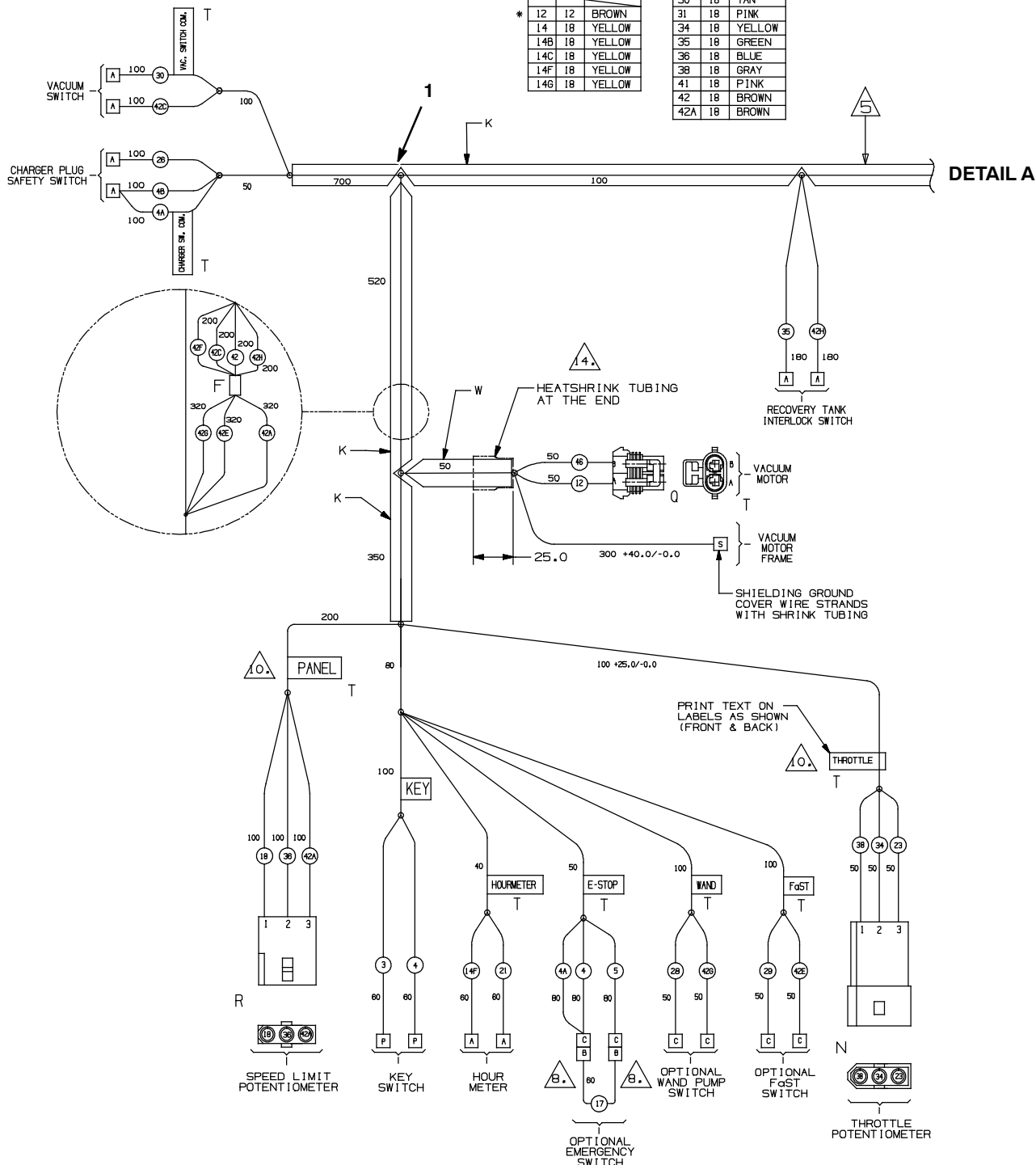
## WIRE HARNESS GROUP, MAIN AUSTRALIA (S/N 0000000-10632987)

WIRE No1	AWG	COLOR
1A	18	RED
1B	18	RED
1E	18	RED
2	18	BROWN
3	18	ORANGE
4	18	YELLOW
4A	18	YELLOW
4B	18	YELLOW
5	18	GREEN
5A	18	GREEN
5B	18	GREEN
6	18	BLUE
6A	18	BLUE
* 12	12	BROWN
14	18	YELLOW
14B	18	YELLOW
14C	18	YELLOW
14F	18	YELLOW
14G	18	YELLOW

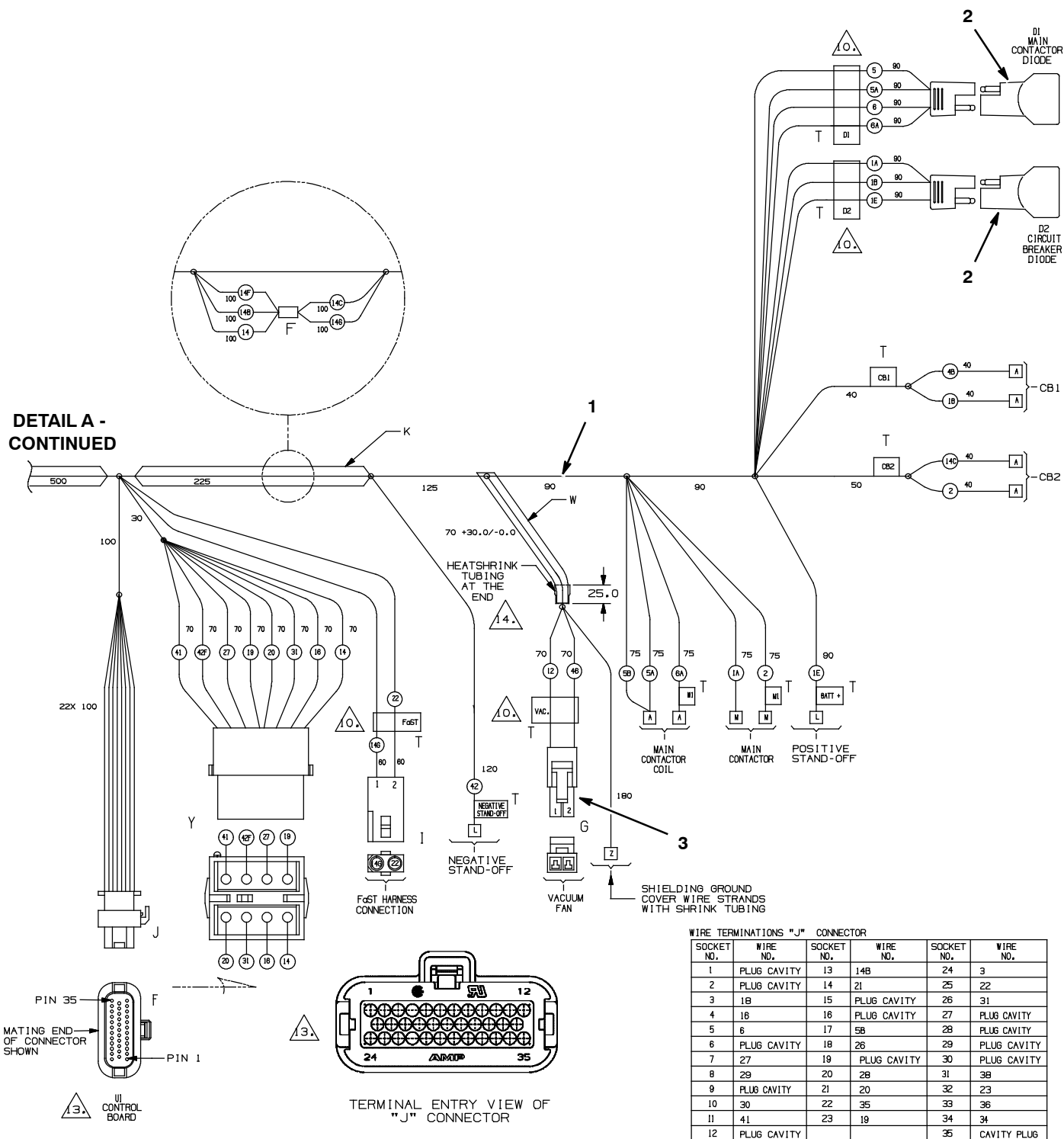
WIRE No1	AWG	COLOR
16	18	BLUE
17	18	PURPLE
18	18	GREY
19	18	WHITE
20	18	TAN
21	18	PINK
22	18	BROWN
23	18	ORANGE
26	18	BLUE
27	18	PURPLE
28	18	GREY
29	18	WHITE
30	18	TAN
31	18	PINK
34	18	YELLOW
35	18	GREEN
36	18	BLUE
38	18	GRAY
41	18	PINK
42	18	BROWN
42A	18	BROWN

WIRE No1	AWG	COLOR
42C	18	BROWN
42E	18	BROWN
42F	18	BROWN
42G	18	BROWN
42H	18	BROWN
* 46	12	BLUE

\* WIRE #46 AND #12 ARE SHIELDED CABLE.



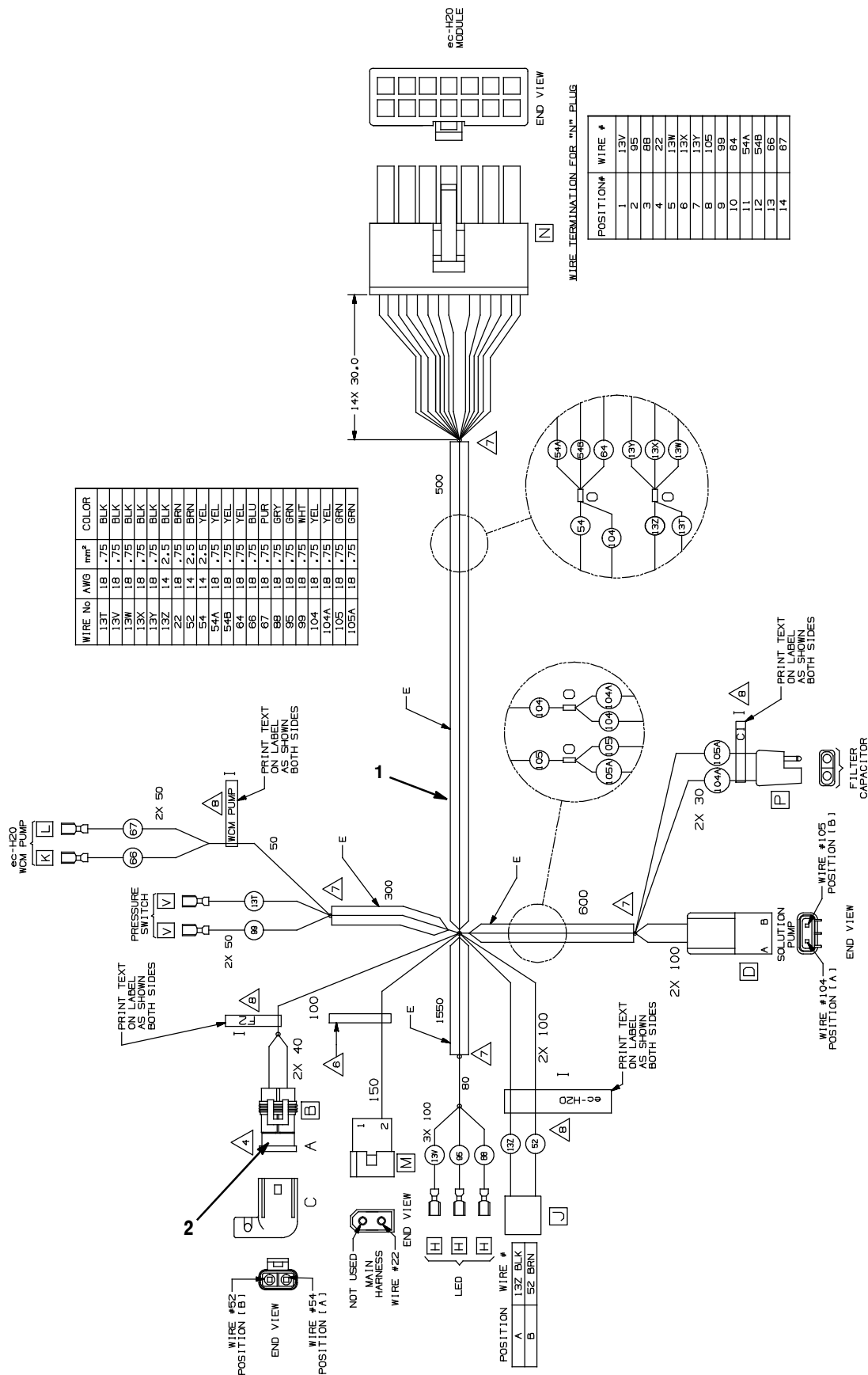
**WIRE HARNESS GROUP, MAIN AUSTRALIA (S/N 00000000-10632987) - CONT'D**



Ref.	Part No.	Serial Number	Description	Qty.
1	1034771	(00000000-10632987)	Harness, Main [T5, Aus]	1
2	222290	(00000000-)	Diode, Ele, Plug	2
3	1013835	(00000000-)	Connector Body, Fem, 2 Recept.[Molex]	1

# STANDARD PARTS

## WIRE HARNESS GROUP, *ec-H2O NANOCLEAN* (S/N 10742213- )



**STANDARD PARTS**

**WIRE HARNESS GROUP, *ec-H2O* NANOCLEAN (S/N 10742213- )**

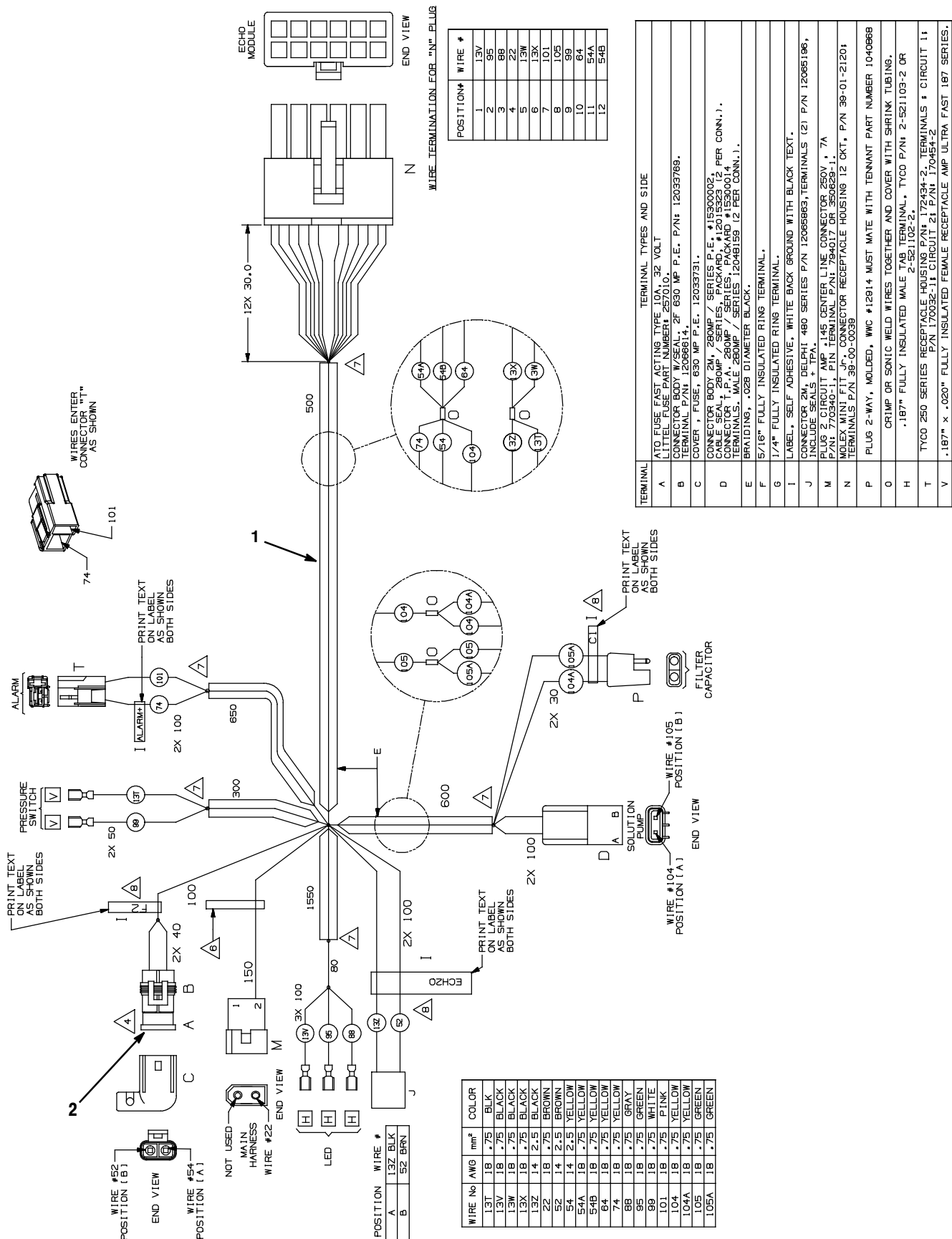
	<b>Ref.</b>	<b>Part No.</b>	<b>Serial Number</b>	<b>Description</b>	<b>Qty.</b>
▽	1	1074375	(10742213-	) Harness Assy, Wire [T5 Ec- H2o G2]	1
▲	2	1047470	(00000000-	) Fuse, Blade, 010a, 32vdc, Red	1

▽ ASSEMBLY

▲ INCLUDED IN ASSEMBLY

# STANDARD PARTS

## WIRE HARNESS GROUP, *ec-H2O* (S/N 10632988-10742212)





**STANDARD PARTS****WIRE HARNESS GROUP, *ec-H2O* (S/N 10632988- 10742212)**

	<b>Ref.</b>	<b>Part No.</b>	<b>Serial Number</b>	<b>Description</b>	<b>Qty.</b>
▽	1	1066844	(10632988- 10742212 )	Harness Assy, Wire [T5 Ec- H2o]	1
▲	2	1047470	(00000000-	) Fuse, Blade, 010a, 32vdc, Red	1

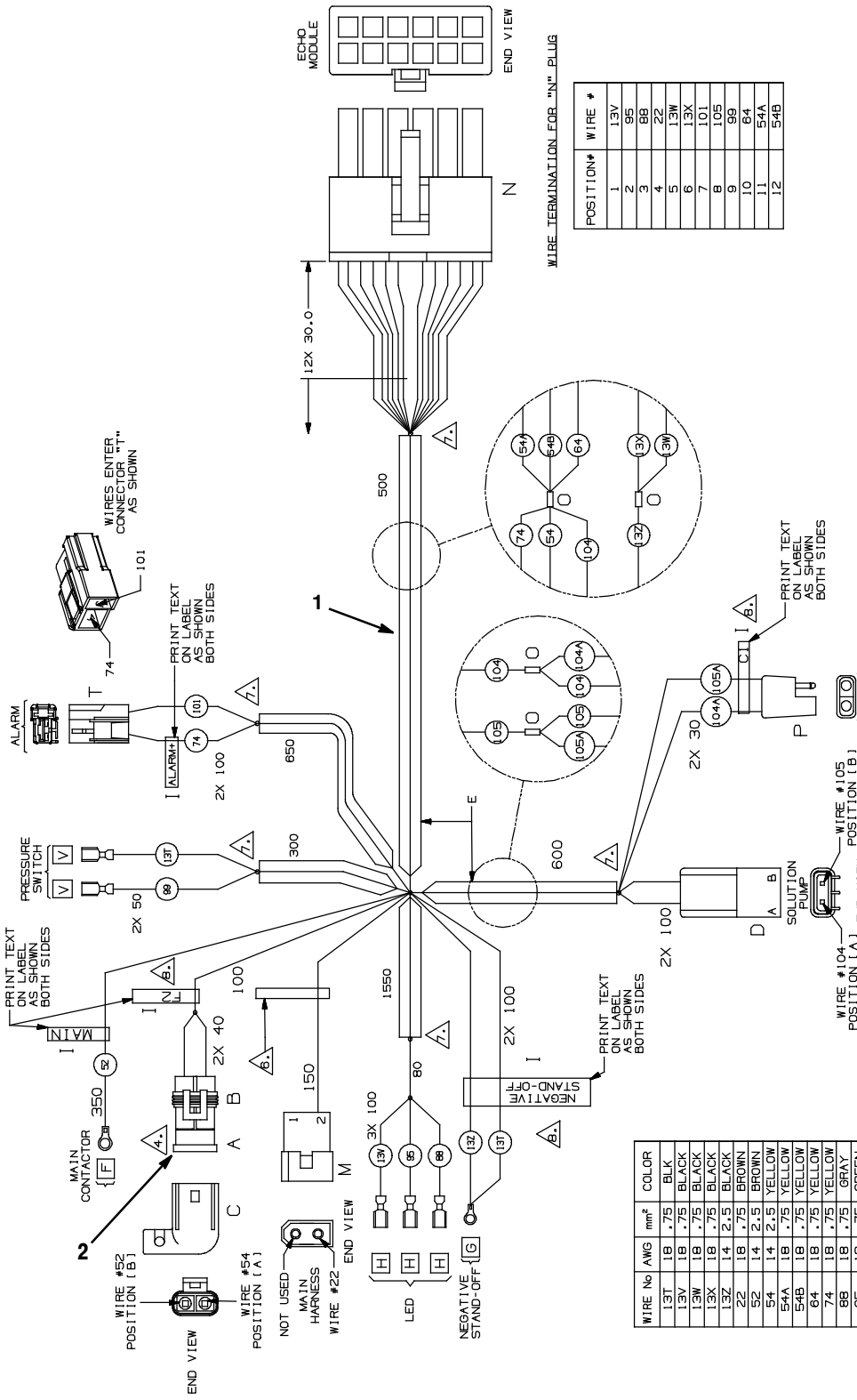
▽ ASSEMBLY

▲ INCLUDED IN ASSEMBLY

# STANDARD PARTS

## WIRE HARNESS GROUP, *ec-H2O* (S/N 10446231-10632987)

355122



WIRE TERMINATION FOR "N" PLUG

POSITION#	WIRE #
1	13V
2	95
3	88
4	22
5	13W
6	13X
7	101
8	105
9	89
10	84
11	54A
12	54B

TERMINAL	TERMINAL TYPES AND SIDE
A	ATO FUSE FAST ACTING TYPE 10A, 32 VOLT
B	LITTEL FUSE PART NUMBER: 257010.
C	CONNECTOR BODY W/SEAL, 2F 630 MP P.E. P/N: 12033769.
D	COVER, FUSE, 630 MP P.E. 12033731.
E	CONNECTOR BODY 2M, 280MP / SERIES P.E., #15300002.
F	CABLE SEAL, 280MP / SERIES, PACKARD, #12015323 (2 PER CONN.).
G	TERMINAL, MAT.E., 280MP / SERIES, #12015323 (2 PER CONN.).
H	TERMINAL, MAT.E., 280MP / SERIES, #2048159 (2 PER CONN.).
I	5/16" FULLY INSULATED RING TERMINAL.
J	7/4" FULLY INSULATED RING TERMINAL.
K	LABEL, SELF ADHESIVE, WHITE BACK GROUND WITH BLACK TEXT.
L	LABEL, SELF ADHESIVE, WHITE BACK GROUND WITH BLACK TEXT.
M	P/N: 70340-1 PIN, TERMINAL P/N: 78407 OR 350829.1.
N	MOLEX MINI FIT .39" CONNECTOR RECEPTACLE HOUSING 12 CKT, P/N 39-01-21201; TERMINALS P/N 39-00-0039
P	PLUG 2-WAY, MOLDED, WVC #12914 MUST MATE WITH TENNANT PART NUMBER 1040868
Q	CRIMP OR SONIC WELD WIRES TOGETHER AND COVER WITH SHRINK TUBING.
H	.187" FULLY INSULATED MALE TAB TERMINAL, TYCO P/N: 2-521103-2 OR 2-521102-2.
T	TYCO 250 SERIES RECEPTACLE HOUSING P/N: 172434-2. TERMINALS : CIRCUIT 1: P/N: 170032-1; CIRCUIT 2: P/N: 170454-2
V	.187" x .020" FULLY INSULATED FEMALE RECEPTACLE AMP ULTRA FAST .187 SERIES.

WIRE No	AWG	mm <sup>2</sup>	COLOR
13T	18	.75	BLK
13V	18	.75	BLACK
13W	18	.75	BLACK
13X	18	.75	BLACK
13Z	14	2.5	BLACK
22	18	.75	BROWN
52	14	2.5	BROWN
54	18	.75	YELLOW
54B	18	.75	YELLOW
64	18	.75	YELLOW
74	18	.75	YELLOW
88	18	.75	GRAY
89	18	.75	GREEN
101	18	.75	WHITE
104	18	.75	PINK
104A	18	.75	YELLOW
105	18	.75	YELLOW
105A	18	.75	GREEN
105B	18	.75	GREEN

**STANDARD PARTS**

**WIRE HARNESS GROUP, *ec-H2O* (S/N 10446231-10632987)**

	<b>Ref.</b>	<b>Part No.</b>	<b>Serial Number</b>	<b>Description</b>	<b>Qty.</b>
▽	1	1055398	(10446231-10632987 )	Harness Assy, Wire [T5 Ec- H2o]	1
▲	2	1047470	(00000000- )	Fuse, Blade, 010a, 32vdc, Red	1

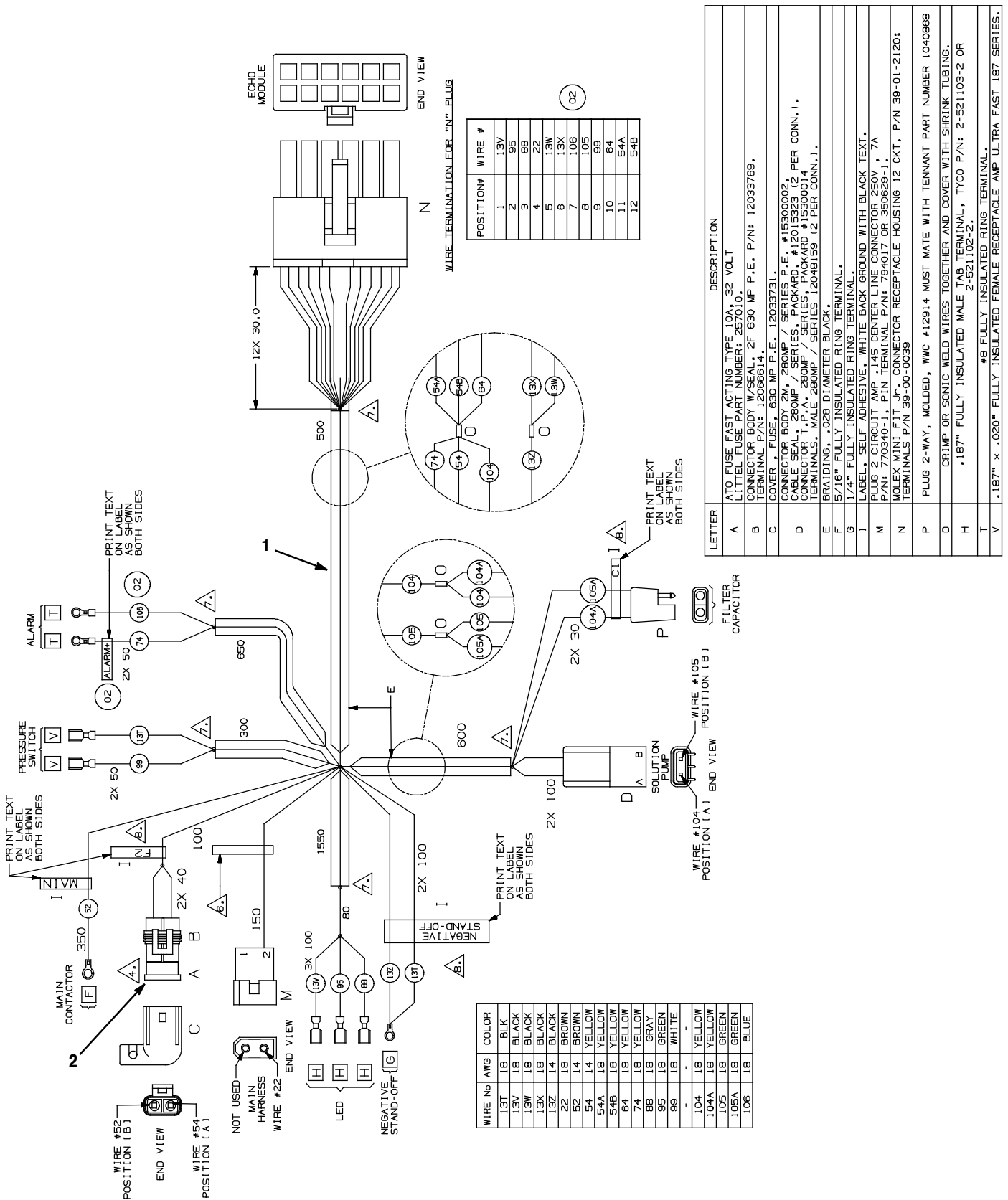
▽ ASSEMBLY

▲ INCLUDED IN ASSEMBLY

# STANDARD PARTS

## WIRE HARNESS GROUP, *ec-H2O* (S/N 0000000-10446230)

355123



**STANDARD PARTS****WIRE HARNESS GROUP, *ec-H2O* (S/N 00000000- 10446230)**

	<b>Ref.</b>	<b>Part No.</b>	<b>Serial Number</b>	<b>Description</b>	<b>Qty.</b>
▽	1	1044416	(10378380- 10446320 )	Harness Assy, Wire [T5 Ec- H2o, P3]	1
▲	2	1047470	(00000000-	) Fuse, Blade, 010a, 32vdc, Red	1

▽ ASSEMBLY

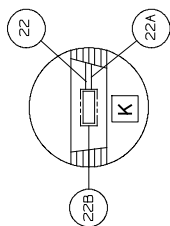
▲ INCLUDED IN ASSEMBLY

# STANDARD PARTS

## WIRE HARNESS GROUP, TELEMETRY

1074445\_03

ITEM	DESCRIPTION
A	CONNECTOR (1), AMPSEAL, FEMALE, 23, #770690-1, TERMINAL (23), FEMALE, DO NOT REQUIRE SEAL TUB #770678-1.
B	NOT USED
C	NOT USED
D	CONNECTOR (1), TYCO, 2M, #770340-1, TERMINAL (2), MALE, 18-24GA, 794017-1.
E	CONNECTOR (1), TYCO, 2F, #770342-1, TERMINAL (2), FEMALE, 18-24GA.
F	CONNECTOR BODY (1), DEUTSCH, DT, SERLES, 3F, DT09-35, CONNECTOR LOCK (1), WSS, TERMINAL (3), FEMALE, 18-18GA #1065-18-0122-FS, 14-18GA #1062-14-0122-FS, SOLID 18-20GA #0462-201-18141.
G	BULGIN, INC. ULTATEL SERIES #700156, LOADED WITH 2.0AMP FUSE; BUSSMANN MOLEX 18044-0188). SHANK INS., HEATSHRINK, BLACK, SEE NOTE #6.
H	RING TERMINAL (8), 3/2", 14-18GA, TYCO #34125 OR MOLEX 18008-0108 OR CONDUIT, AS REQ., NYLON, BLACK, SLOTTED FLEXIBLE CONVULSED TUBING. DO NOT USE SLIP ON TYPE. MAXIMUM CONDUIT I.D. SIZE: 1/2", 25-35% OVER SIZE.
J	CLIP SLICE; CRIMP OR SONIC WELD WIRES TOGETHER, AND COVER WITH HEAT SHRINK TUBING
K	

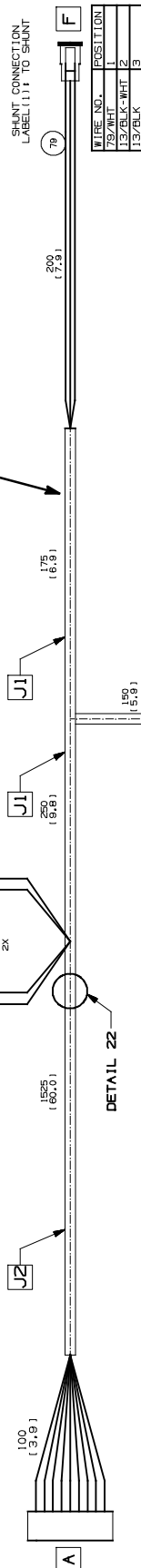


DETAIL 22

WIRE NO	GA	SPEC
1/RED	18	SEE NOTE #12
13/BLK	18	8XL1 SEE NOTE #13
13/BLK-WHT	18	8XL1 SEE NOTE #13
14/YEL	18	8XL1 SEE NOTE #13
22/BRN	18	8XL1 SEE NOTE #13
22A/BRN	18	8XL1 SEE NOTE #13
22B/BRN	18	8XL1 SEE NOTE #13
77/PUR	18	8XL1 SEE NOTE #13
77/WHT	18	8XL1 SEE NOTE #13

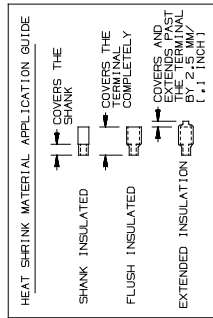
TO: EP-H2O CONNECTOR  
LABEL: EP-H2O CONNECTOR

TELEMETRY  
MODULE  
(23 P IN CONN.)



TO TELEMETRY	WIRE NO.	POS.
	76/WHT	9
	13/BLK-WHT	8
	22B/BRN	1
	13/BLK	21
	77/PUR	23

WIRE NO.	POSITION
79/WHT	1
13/BLK-WHT	2
13/BLK	3



TO: +36VDC BATTERY

**WIRE HARNESS GROUP, TELEMETRY**

	<b>Ref.</b>	<b>Part No.</b>	<b>Serial Number</b>	<b>Description</b>	<b>Qty.</b>
▽	1	1074445	(10742213-	) Harness, Ele, Telem [T5]	1
▲		9009990	(10742213-	) Vr, Fuse, 002a, 250vdc, Cartridge	1

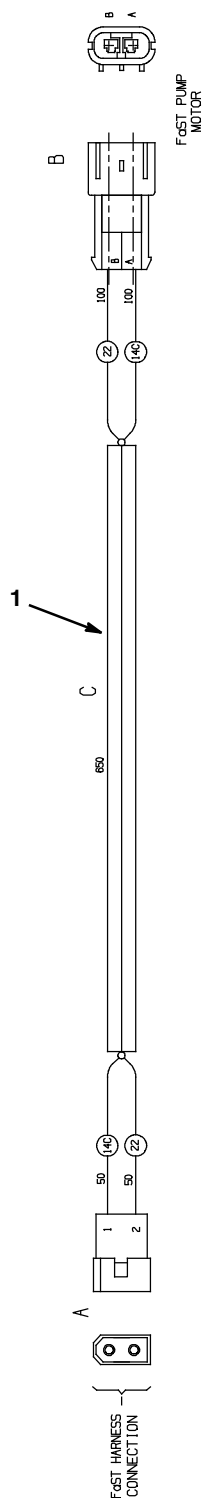
▽ ASSEMBLY

▲ INCLUDED IN ASSEMBLY

# STANDARD PARTS

## WIRE HARNESS GROUP, FAST

355124



WIRE #	COLOR	AWG	mm <sup>2</sup>
14C	YELLOW	18	.75
22	BROWN	18	.75

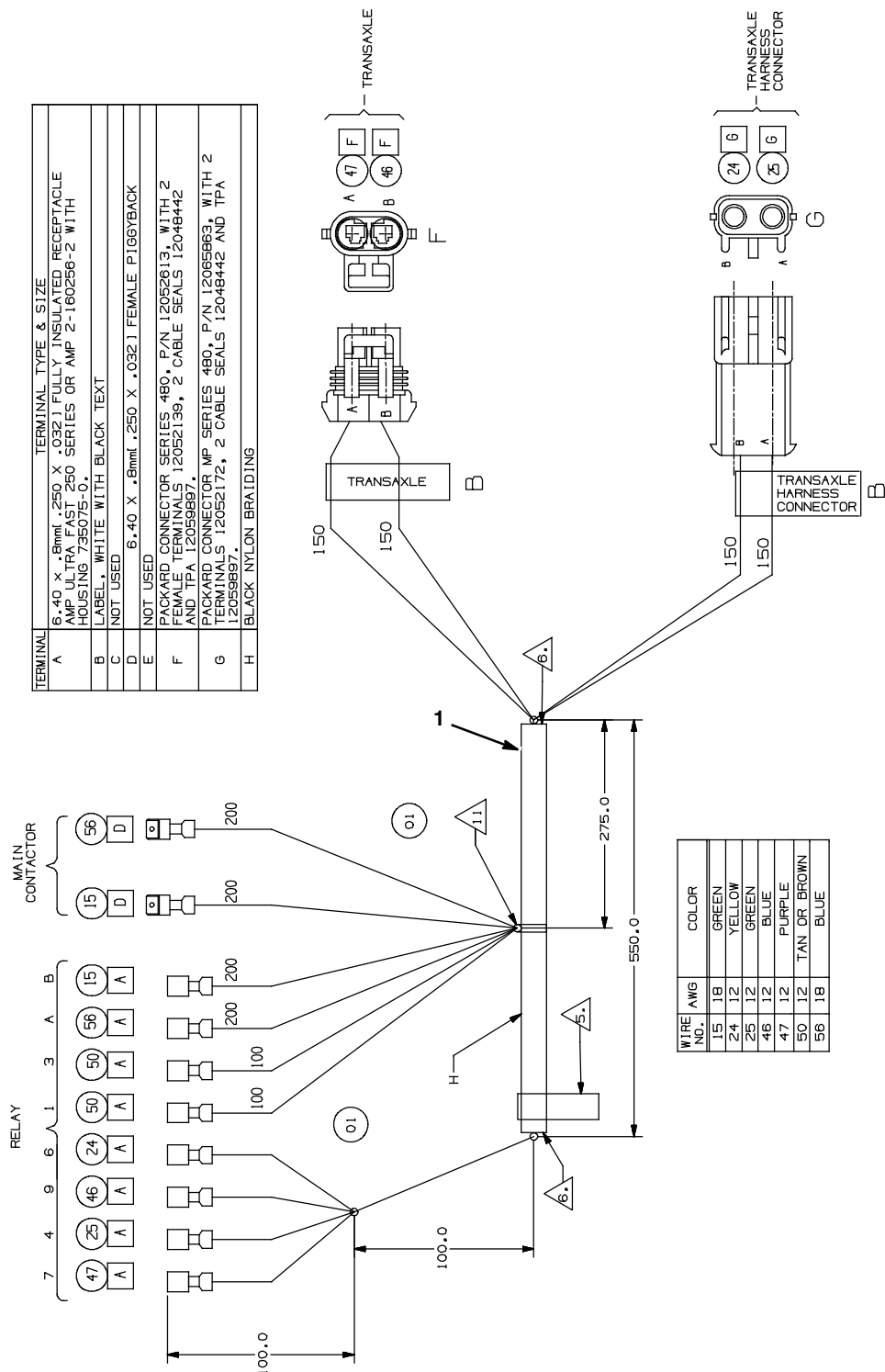
COMPONENT	DESCRIPTION
A	PLUG 2 CIRCUIT AMP .145 CENTER LINE CONNECTOR 250V, 7A P/N 770346-1, PIN TERMINALS P/N 794017 OR 350669-1.
B	CONNECTOR BODY 2M, 280MP / SERIES / SERIES, P.E. #1530002, 280MP / SERIES / SERIES, P.E. #1530001, 2 PER CONN.1) CONNECTOR T, 280MP / SERIES / SERIES, P.E. #1530011, 2 PER CONN.1) TERMINALS, MALE 280MP / SERIES 12048159 12 PER CONN.1)
C	BLACK NYLON BRAIDING.

Ref.	Part No.	Serial Number	Description	Qty.
1	1023757	(00000000-	) Harness [Fast, Option, T5]	1



**WIRE HARNESS GROUP, BRAKE**

355125

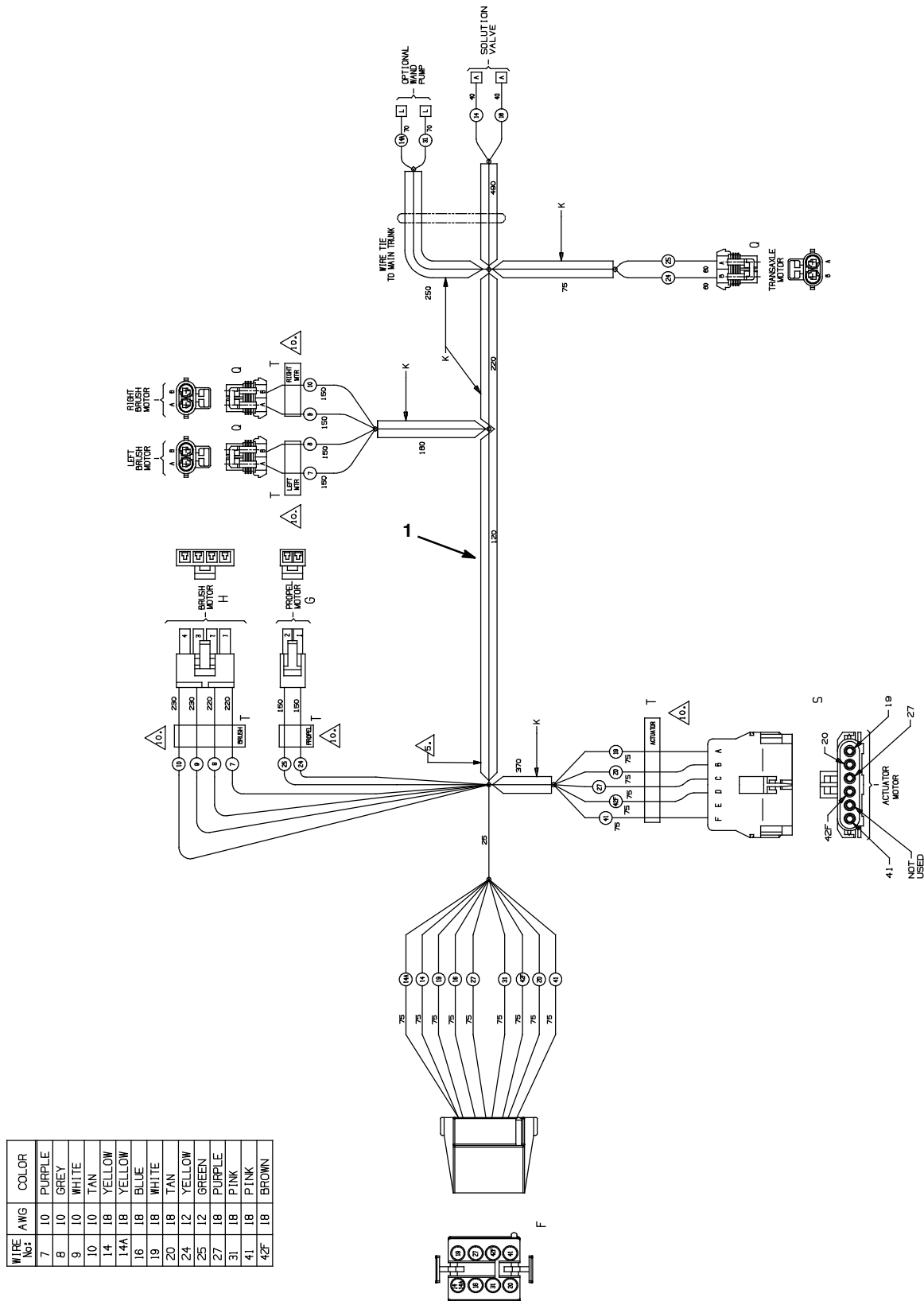


TERMINAL	TERMINAL TYPE & SIZE
A	6.40 X .8mm, .250 X .032 J FULLY INSULATED RECEPTACLE AMP ULTRA FAST 250 SERIES OR AMP 2-160256-2 WITH HOUSING 735075-0.
B	LABEL, WHITE WITH BLACK TEXT
C	NOT USED
D	6.40 X .8mm, .250 X .032 J FEMALE PIGGYBACK
E	NOT USED
F	PACKAGED CONNECTOR SERIES 480, P/N 12052613, WITH 2 FEMALE TERMINALS, 12052199, 2 CABLE SEALS 12048442 AND TPA 12059897.
G	PACKAGED CONNECTOR MP SERIES 480, P/N 12065963, WITH 2 TERMINALS 12052172, 2 CABLE SEALS 12048442 AND TPA 12059897.
H	BLACK NYLON BRAIDING

Ref.	Part No.	Serial Number	Description	Qty.
1	1035576	(10306157-	) Harness, Wire, Brake [T5, Na]	1

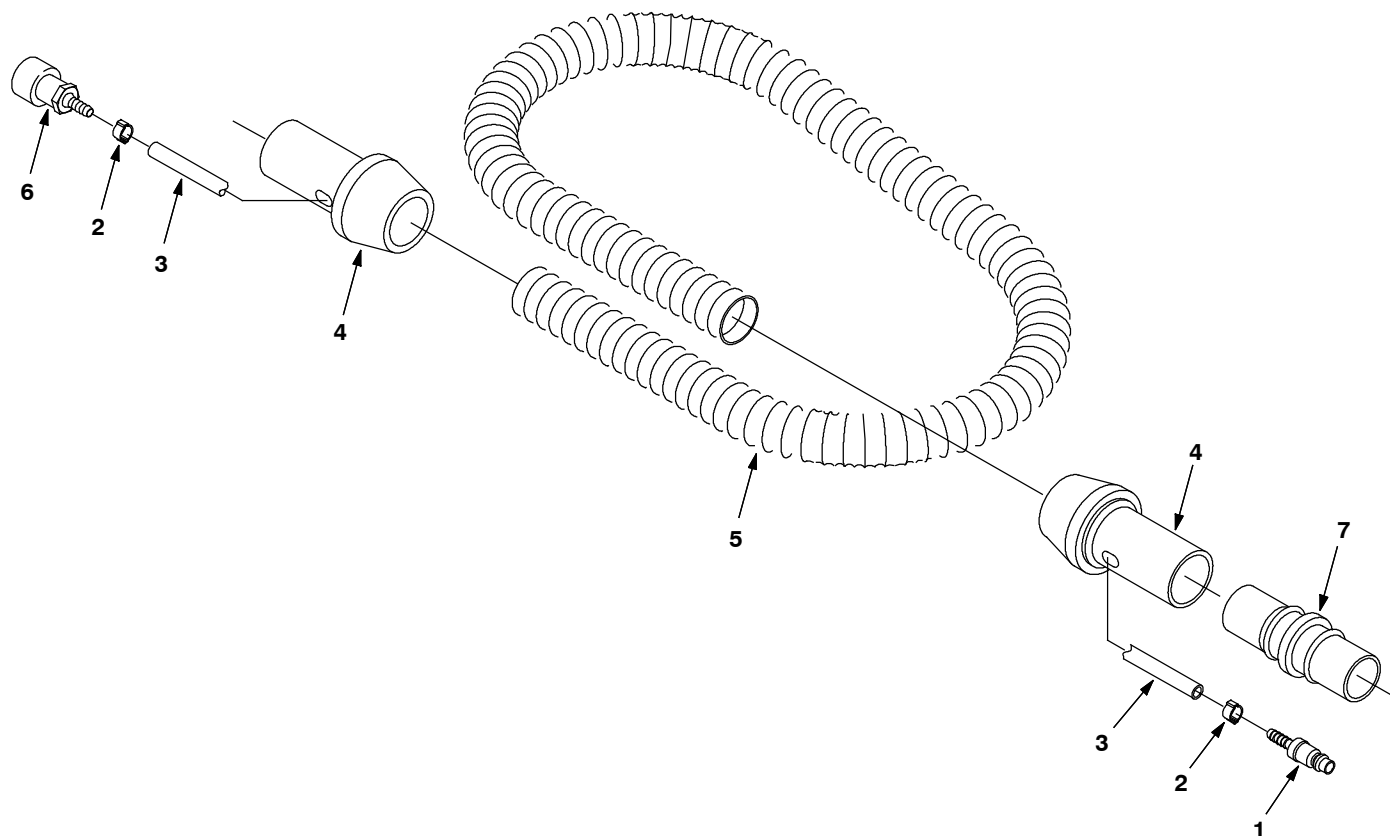
# STANDARD PARTS

## WIRE HARNESS GROUP, CHASSIS



Ref.	Part No.	Serial Number	Description	Qty.
1	1024588	(0000000-	) Harness, Chassis, Wire, Us [T5]	1

**POWER WAND HOSE GROUP**



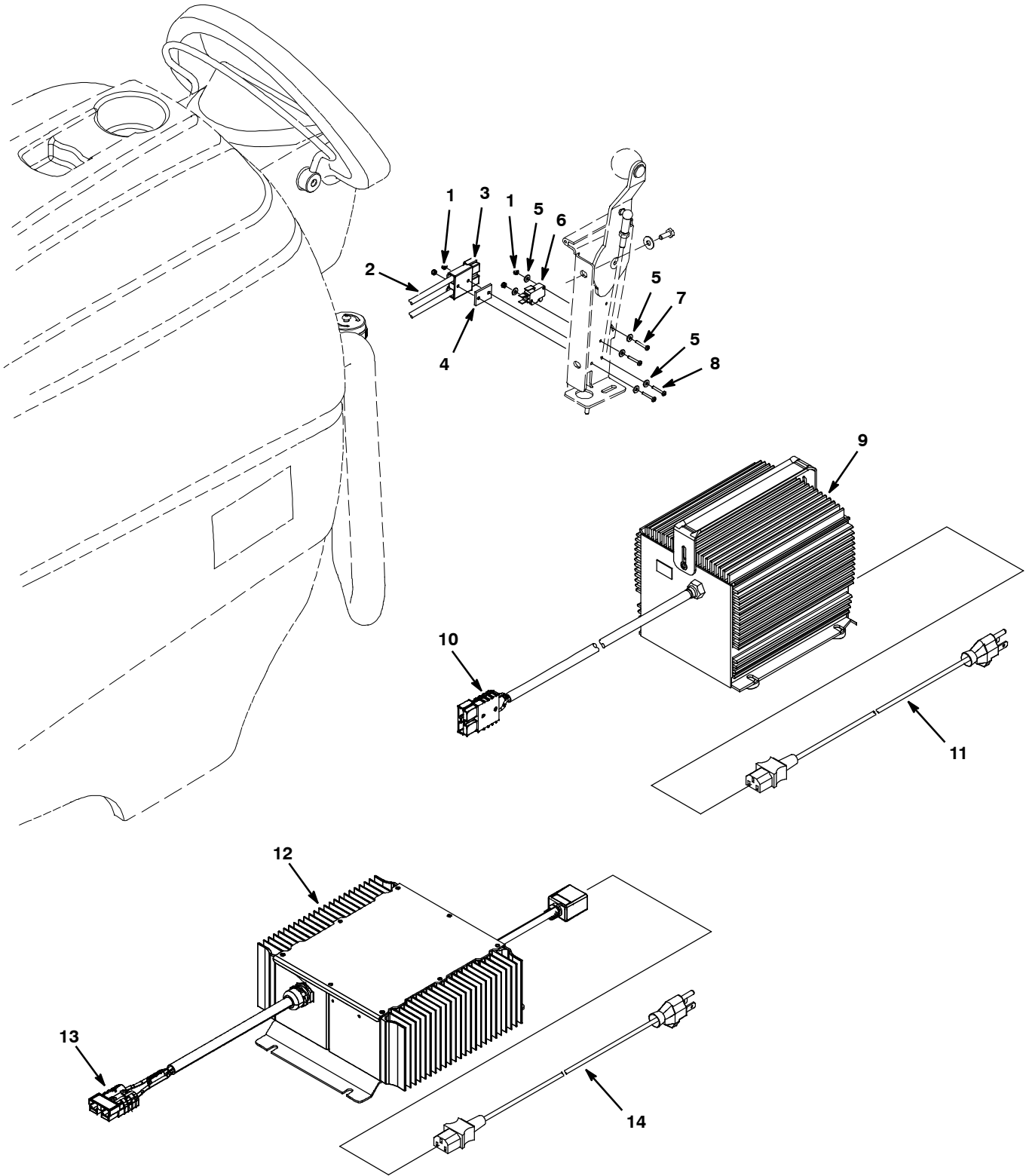
Ref.	Part No.	Serial Number	Description	Qty.
▽	65341	(00000000-	) Hose Assy, Wand, Power	1
▲	1	578318000	(00000000- ) Fitting, Stl, Qdc, Bm04	1
▲	2	578160000	(00000000- ) Clamp, Hose, Ear, 11- 13mm, Ss	2
▲	3	578820000	(00000000- ) Hose, Pvc, 0.25id X 157l	1
▲	4	578072000	(00000000- ) Cuff, Swivel, 1.5 Blk	2
▲	5	1052212	(00000000- ) Hose, Vacuum, 1.50id X 10ft, Gray	1
▲	6	578071000	(00000000- ) Fitting, Brs, Qdc, Bm04/Pf04	1
	7	12694	(00000000- ) Fitting, Plstc, Str, Bm24/Bm24	1

▽ ASSEMBLY

▲ INCLUDED IN ASSEMBLY

# OPTIONS

## OFF-BOARD CHARGER GROUP



**OFF-BOARD CHARGER GROUP**

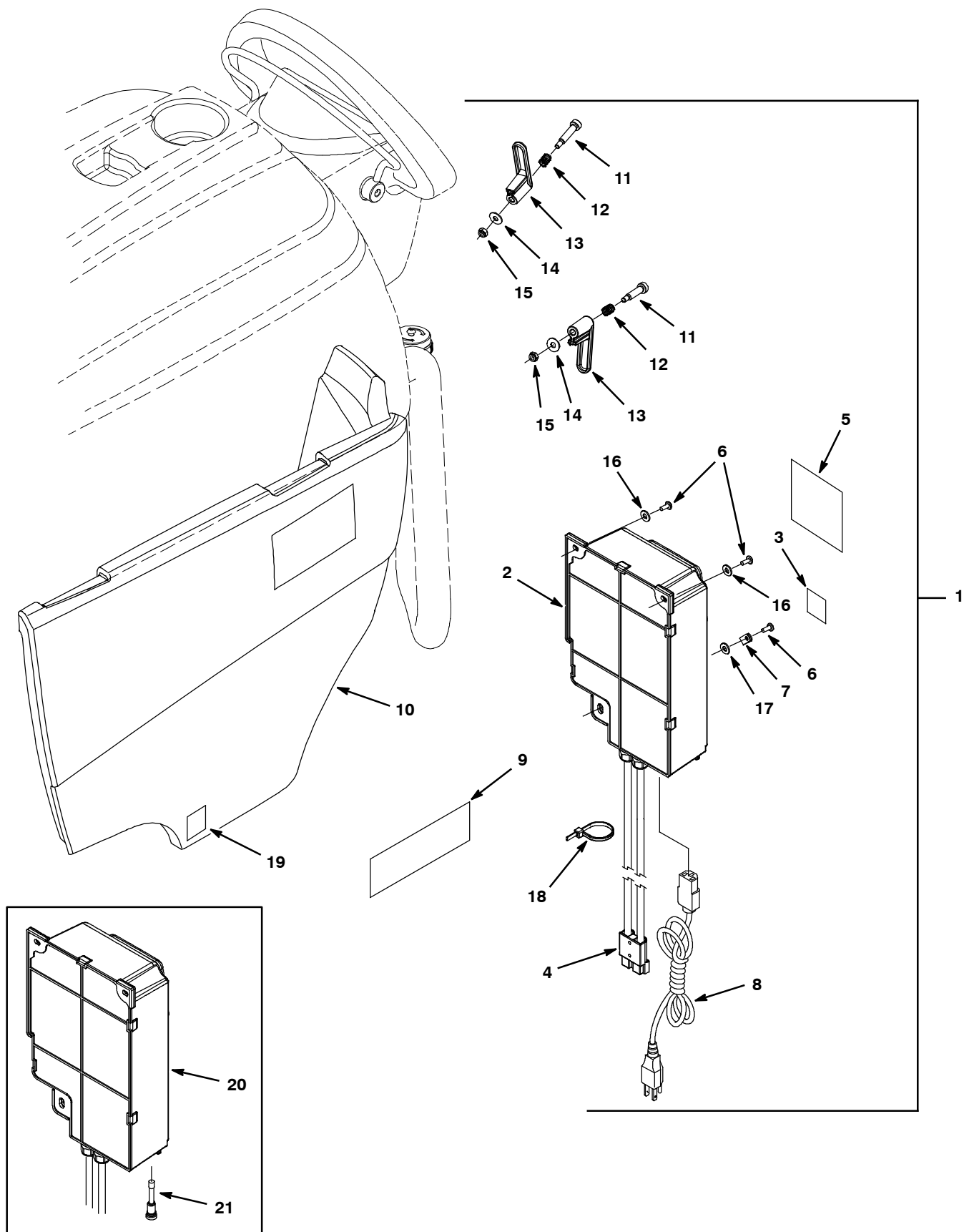
	<b>Ref.</b>	<b>Part No.</b>	<b>Serial Number</b>	<b>Description</b>	<b>Qty.</b>
	1	579211	(00000000-	) Nut, Hex, Lock, M3 X .5, Ss	4
▽	2	1024514	(00000000-	) Harness, Chrgr	1
▲	3	605387	(00000000-	) Connector, 50a, Red W/O Contact[Anderson	1
	4	603331	(00000000-	) Spacer, Chrgr Plug	1
	5	41578	(00000000-	) Washer, Flat, #06, Ss	6
	6	611005	(00000000-	) Switch, Rlr, 16a, Micro	1
	7	06922	(00000000-	) Screw, Pan, M3 X 0.5 X 20, 4.8	2
	8	33933	(00000000-	) Screw, Pan, M3 X 0.5 X 25, Ss	2
▽	9	1029256	(00000000-	) Charger, 24vdc, 19a Var Vac 1ph 50/60hz	1
▲	10	605387	(00000000-	) Connector, Anderson, 50a,Red W/O Contact	1
▲	11	1017079	(00000000-	) Cord, Extn, 16ga /3, 010ft [Sjt]	1
▽	12	1043663	(00000000-	) Charger, 24vdc 25a 100- 240vac 50/60hz (Japan)	1
▲	13	605387	(00000000-	) Connector, Anderson, 50a,Red W/O Contact	1
	14	989584	(00000000-	) Power Cord With Plug, [125v12a]#4.5m (Japan)	1

▽ ASSEMBLY

▲ INCLUDED IN ASSEMBLY

# OPTIONS

## ON-BOARD CHARGER GROUP



**ON-BOARD CHARGER GROUP**

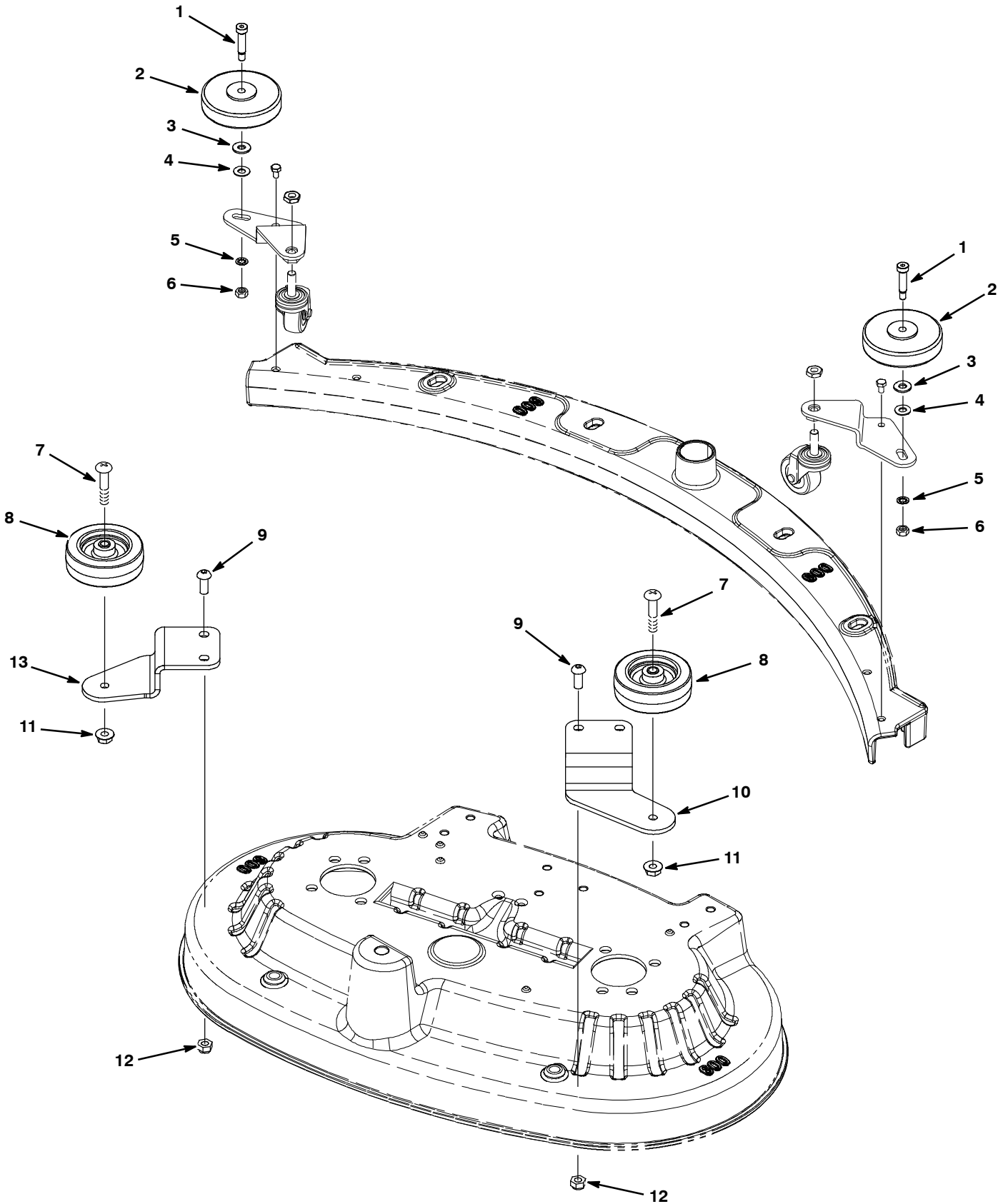
Ref.	Part No.	Serial Number	Description	Qty.
▽	1	9003295	(10632988- ) Charger Kit, Battery, Ci [120v T5 Na] (North America) (Charger Not Available Separately)	1
▽	1	9003296	(00000000- ) Charger Kit, Batt, 230v, Fr/ [T5 Aust] (Australia)	1
▲▽	2	1042808	(00000000- ) Charger, 230vac [Onboard, Export] (Australia)	1
▲▲	3	578768	(00000000- ) Label, Hzrd, [Hazardous Voltage] Txtls	1
▲▲	4	605387	(00000000- ) Connector, Anderson, 050a, Red [W/O Con] (North America Charger Only)	1
▲▲	5	1025158	(00000000- ) Label, Charger, Afmkt	1
▲	6	609062	(00000000- ) Screw, Pan, M5 X 0.80 X 16, Pozi, Ss	3
▲	7	26395- 2	(00000000- ) Clamp, Cable, Stl, 0.38d X 0.38w, 1h	1
▲	8	1025642	(00000000- ) Cord, Power, 16/3, 4.5 Meters, Blk [Us] (North America)	1
▲	8	1026325	(00000000- ) Cord, Power, 1.0mm2 X 2.5 Meters [Aus] (Australia)	1
▲	9	1028175	(00000000- ) Label, Instr [Charger Setting]	1
▲	10	1022059	(00000000- ) Panel, Side, Rm- Tl, Lh, Trimmed, W/Chrg	1
▲	11	1024965	(00000000- ) Bolt, Shld, 8mmd X 30, M6x1.0	2
▲	12	611311	(00000000- ) Spring, Cmpr, 10.9d, 1.1w, 12.7l Mw Zn	2
▲	13	610906	(00000000- ) Hook, Cord Viper	2
▲	14	01684	(00000000- ) Washer, Flat, 0.27b 0.69d .05, Ss	2
▲	15	08712	(00000000- ) Nut, Hex, Lock, M6 X 1.00, Ss, NI	2
▲	16	01683	(00000000- ) Washer, Flat, 10, Ss	2
▲	17	01684	(00000000- ) Washer, Flat, 0.27b 0.69d .05, Ss	1
▲	18	130773	(00000000- ) Tie, Cable, Nyl, 11.0l, .14w, 3.0 Max. D	6
▲	19	600624	(00000000- ) Label, Parking Brake, Symbol	1
▽	20	9008898	(00000000- 10632987 ) Charger, 120vac [Onboard] (North America)	1
▲	21	1030692	(00000000- ) Vr, Fuse, Replmt, 15 Amp F/1022874 (North America) (For Chargers With External Fuse Re- placement On Bottom Of Charger)	1
	21	1030746	(00000000- ) Vr, Fuse, 10a, F/1025146- 1026909, Replmt (Australia) (For Chargers With External Fuse Replacement On Bottom Of Charger)	1

▽ ASSEMBLY

▲ INCLUDED IN ASSEMBLY

# OPTIONS

## BUMPER WHEEL KIT





**BUMPER WHEEL KIT**

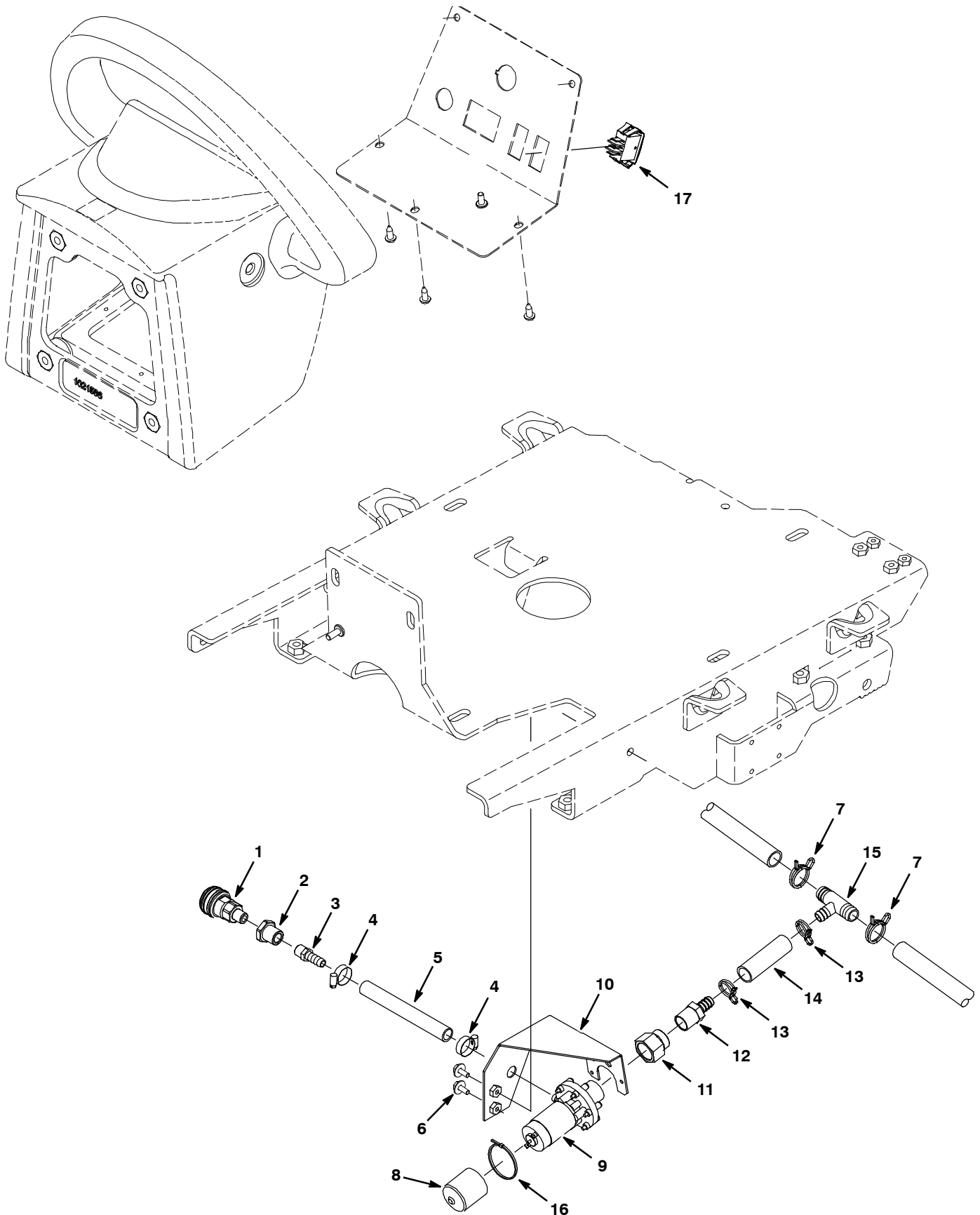
	<b>Ref.</b>	<b>Part No.</b>	<b>Serial Number</b>	<b>Description</b>	<b>Qty.</b>
▽		9004459	(00000000-	) Wheel Kit, Bumper, Retrofit [T5]	1
▲	1	600187	(00000000-	) Bolt, Shld, .38d X 1.25, .31- 18	2
▲	2	614317	(00000000-	) Wheel, 04.0d 1.00w 0.38b, Rbr, Gray	2
▲	3	01685	(00000000-	) Washer, Flat, 0.38b 0.88d .08, Ss	2
▲	4	069762311	(00000000-	) Washer, Flat, M7.9b X 19d X 1.7 Ss	2
▲	5	43952	(00000000-	) Washer, Lock, Int, 0.31, Ss	2
▲	6	140506	(00000000-	) Nut, Hex, Std, .31- 18, Ss	2
▲	7	606983	(00000000-	) Screw, Trs, M8 X 1.25 X 40, Phl, Pl	2
▲	8	1014918	(00000000-	) Wheel, 03.0d 0.88w 0.31b, W/ Bshg, Rbr	2
▲	9	393135	(00000000-	) Screw, Btn, M8 X 1.25 X 20, Blk	4
▲	10	1023268	(00000000-	) Bracket, Roller, Wall, Scb Head, 70cm	1
▲	11	07791	(00000000-	) Nut, Hex, Flng, M8 X 1.25	2
▲	12	08713	(00000000-	) Nut, Hex, Lock, M8 X 1.25, NI, Ss	4
▲	13	1022344	(00000000-	) Bracket, Roller, Wall, Scb Head, 60cm	1

▽ ASSEMBLY

▲ INCLUDED IN ASSEMBLY

# OPTIONS

## WAND PUMP KIT



**WAND PUMP KIT**

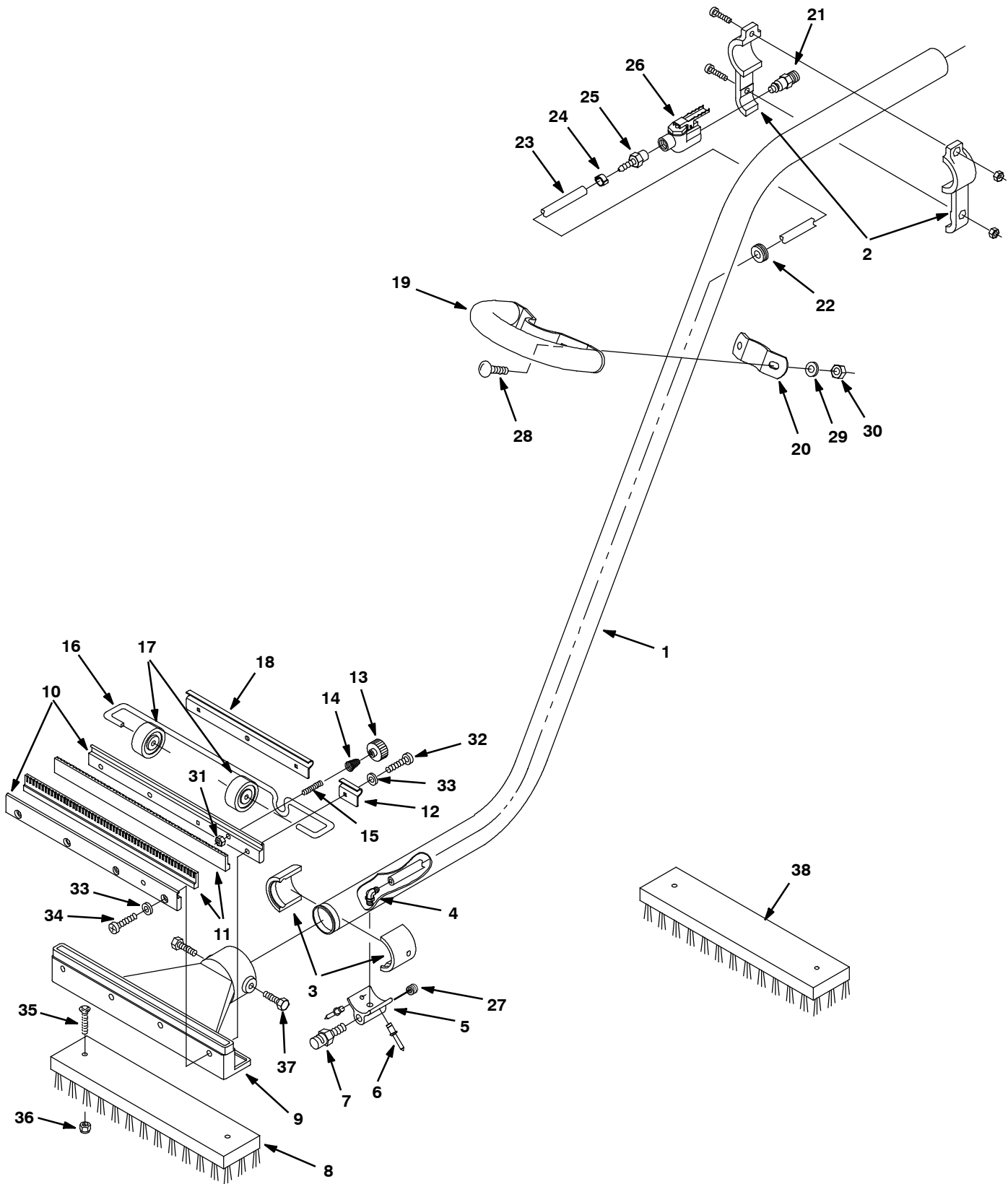
	<b>Ref.</b>	<b>Part No.</b>	<b>Serial Number</b>	<b>Description</b>	<b>Qty.</b>
▽		9003398	(00000000-	) Pump Kit, Wand, Power, Ci [T5]	1
▲	1	608292	(00000000-	) Connection, Quick, Fem .375" X .25" Npt	1
▲	2	78122	(00000000-	) Fitting, Brs, Str, Pf04/Pf04, Bh	1
▲	3	150516	(00000000-	) Fitting, Brs, Str, Pm04/Bm06	1
▲	4	54333	(00000000-	) Clamp, Hose, Wormdrive, 0.31- 0.88d, .31w	2
▲	5	575501000	(00000000-	) Hose 3/8idx5/8odx8" (376720)	1
▲	6	1034731	(00000000-	) Screw, Hex, M6 X 1.00 X 16, Sems, Ss	2
▲	7	1041978	(00000000-	) Clamp, Hose, Wir, .85 - .90, Silver	2
▲	8	605064	(00000000-	) Cap, Vinyl, 1.38 D 1.6l	1
▲	9	630136	(00000000-	) Pump, Soltn, Ele, 24vdc, 3116" Term 3/4"	1
▲	10	1023515	(00000000-	) Bracket, Mtg, Pump, Wand	1
▲	11	150017	(00000000-	) Fitting, Brs, Str, Pf08/Pf12, Cplg[Redr]	1
▲	12	1023581	(00000000-	) Fitting, Plstc, Str, Bm08/Pm08, Nyl	1
▲	13	607776	(00000000-	) Clamp, Hose, Wir, .73 - .77, Silver	2
▲	14	613521	(00000000-	) Hose, Pvc, Clr, 0.50id 0.75od 012.0l	1
▲	15	1015486	(00000000-	) Fitting, Plstc, Tee, Bm08/Bm10/Bm10, Br	1
▲	16	130773	(00000000-	) Tie, Cable, Nyl, 11.0l, .14w, 3.0 Max. D	2
▲	17	130787	(00000000-	) Switch, Rocker, Spdt	1

▽ ASSEMBLY

▲ INCLUDED IN ASSEMBLY

# OPTIONS

## DELUXE POWER WAND GROUP



**DELUXE POWER WAND GROUP**

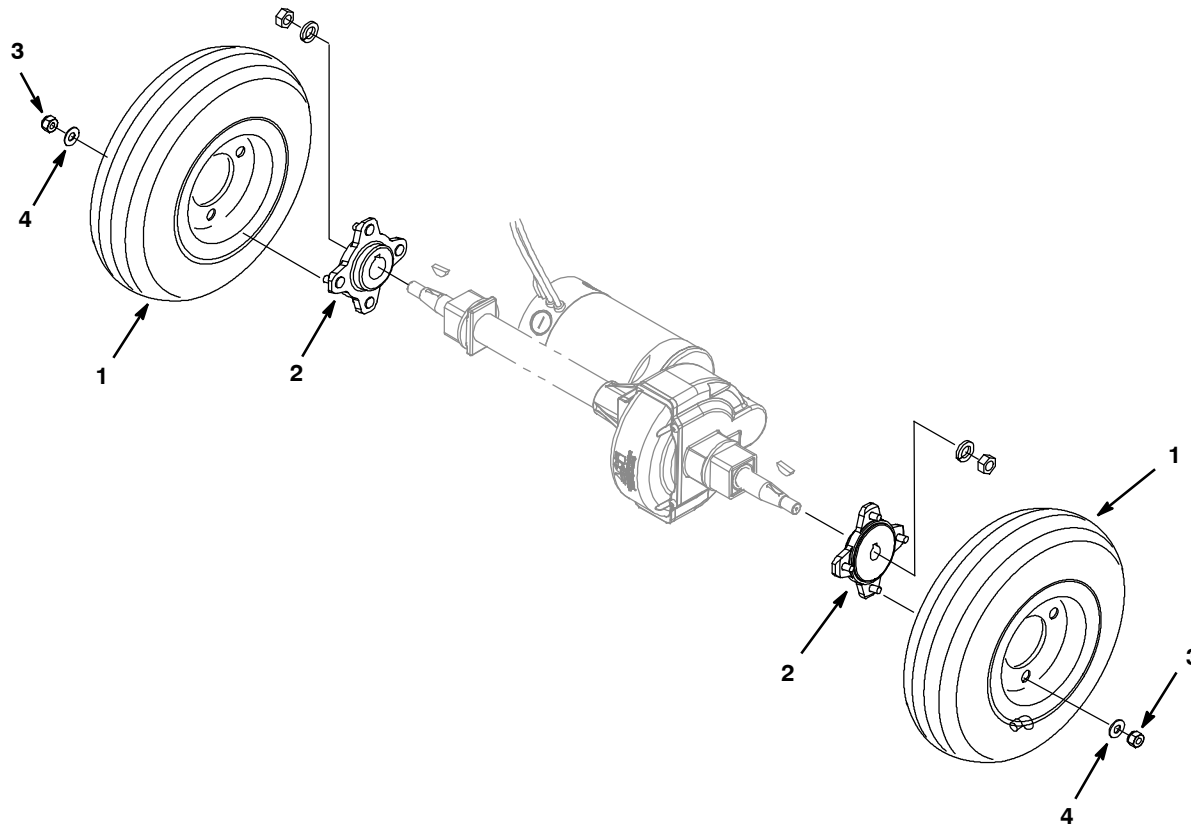
Ref.	Part No.	Serial Number	Description	Qty.
▽	65340	(00000000-	) Wand Assy, Power	1
▲	1 578060000	(00000000-	) Wand, Dbl Bend, 38.1mmd	1
▲	2 578077000	(00000000-	) Bracket Valve Mounting Wand	1
▲	3 578061000	(00000000-	) Adapter, Head / Wand	2
▲	4 1037595	(00000000-	) Fitting, Plstc, E90, Bm04/Pm02, Nyl	1
▲	5 579112	(00000000-	) Fitting Spray Nozzle Adapter	1
▲	6 602036000	(00000000-	) Rivet, Blind	2
▲	7 578066000	(00000000-	) Fitting, Brs, Tip [75, .125k- Jet]	1
▲	8 65610	(00000000-	) Brush, Power Wand, W/ Fastener, Pyp	1
▲	9 578063000	(00000000-	) Head, Wand	1
▲	10 578078000	(00000000-	) Retainer, Sqge, Wand	2
▲	11 578074000	(00000000-	) Blade, Sqge, 300.8mml, Wand	2
▲	12 578124000	(00000000-	) Bracket,Axle,1hole	1
▲	13 578439	(00000000-	) Nut, Thumb, M6 X 1.0, 30d	1
▲	14 613732	(00000000-	) Spring, Cmpr, Conical 15mm	1
▲	15 578143000	(00000000-	) Screw, Set, M6 X 1.0 X 40, Cuppt, Ss	1
▲	16 578126000	(00000000-	) Axle,Wand	1
▲	17 578125000	(00000000-	) Wheel, 41.3d, 19.1w, Rbr	2
▲	18 578123000	(00000000-	) Bracket,Axle,3hole	1
▲	19 578155000	(00000000-	) Handle Wldt, Wand	1
▲	20 578154000	(00000000-	) Bracket Handle Wand	1
▲	21 578091000	(00000000-	) Fitting, Brs, Qdc, Pm04, Plug	1
▲	22 578164000	(00000000-	) Grommet,0.38"Id,0.62"Gd,.06"Gw	1
▲	23 578821000	(00000000-	) Hose 1/4id X 3/8od X 1.22m	1
▲	24 578161000	(00000000-	) Clamp, Hose, Ear, 8- 11mm, Ss	1
▲	25 578094000	(00000000-	) Fitting, Nyl, Str, Pm04/Bm04	1
▲	26 578064000	(00000000-	) Valve, Cntrl, Water	1
▲	27 150208	(00000000-	) Fitting, Brs, Str, Pm02, Plug [Skhd]	1
▲	28 20399	(00000000-	) Bolt, Carriage, .25- 20 X 0.75	2
▲	29 200304017	(00000000-	) Washer, Flat, M6.4 X 13 X 1.6, Pl	2
▲	30 41169	(00000000-	) Nut, Hex, Lock, .25- 20, NI, Ss	2
▲	31 07785	(00000000-	) Nut, Hex, Std, M6 X 1.0, A2, Ss	1
▲	32 1026454	(00000000-	) Screw, Pan, M5 X 0.8 X 10, Ss	4
▲	33 07514	(00000000-	) Washer, Lock, Int, #10, Ss	8
▲	34 578144000	(00000000-	) Screw, Pan, M5 X 0.8 X 16,Phl,Ss,Dn7985a	4
▲	35 578566	(00000000-	) Screw 4x30 Fltphl Ss	2
▲	36 33932	(00000000-	) Nut, Hex, Lock, M4 X 0.7, NI, Ss	2
▲	37 140885	(00000000-	) Screw, Trs, .25- 20 X 0.50, Phl, Ss	2
▲	38 65582	(00000000-	) Brush, Power Wand, W/ Fastener, Abr (Optional)	1

▽ ASSEMBLY

▲ INCLUDED IN ASSEMBLY

## OPTIONS

### OPTIONAL WHEEL KIT

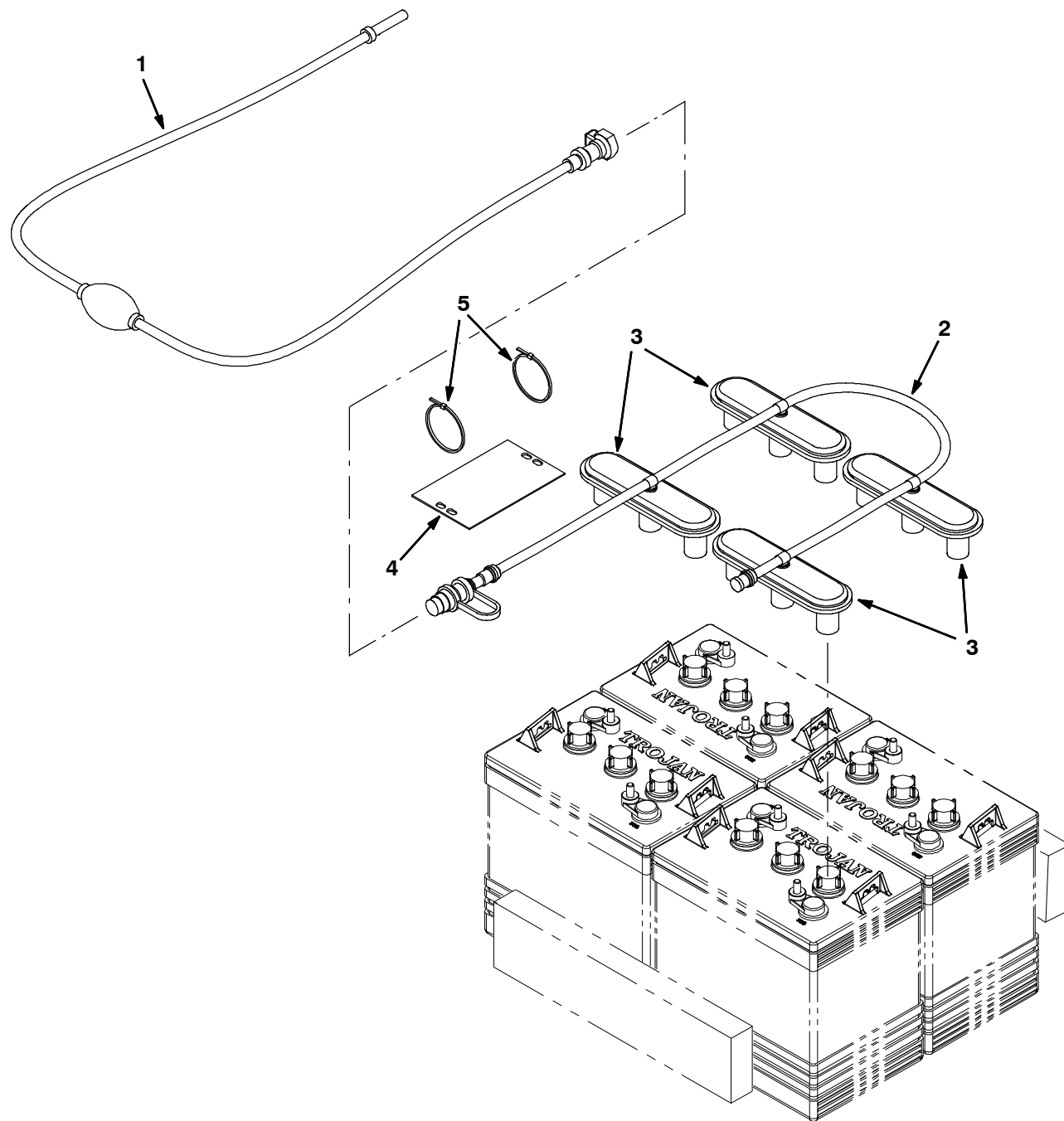


Ref.	Part No.	Serial Number	Description	Qty.
▽	9004903	(00000000-	) Wheel Kit, Pneumatic, Ci [T5 T5e Ss5]	1
▲ 1	1059452	(00000000-	) Tire Assy, Pneu, Grey, 2.8/2.5- 04 2.75bc	2
▲ 2	1048125	(00000000-	) Hub, Wheel [Tapered Shaft]	2
▲ 3	08712	(00000000-	) Nut, Hex, Lock, M6 X 1.00, NI, Ss	8
▲ 4	140000	(00000000-	) Washer, Flat, 0.28b 0.62d .04, Ss	8
▽	9004904	(00000000-	) Wheel Kit, Foam Filled, Ci [T5 T5e Ss5]	1
▲ 1	1068472	(00000000-	) Tire Assy, Foam, Hi- Dns, Grey,2.8/2.5- 04	2
▲ 2	1048125	(00000000-	) Hub, Wheel [Tapered Shaft]	2
▲ 3	08712	(00000000-	) Nut, Hex, Lock, M6 X 1.00, NI, Ss	8
▲ 4	140000	(00000000-	) Washer, Flat, 0.28b 0.62d .04, Ss	8

▽ ASSEMBLY

▲ INCLUDED IN ASSEMBLY

**HYDROLINK® BATTERY WATERING SYSTEM KIT**



Ref.	Part No.	Serial Number	Description	Qty.
▽	9010300	(00000000-	) Watering Kit, Battery, 24vdc, Ci [Trojan]	1
▲ 1	1058939	(00000000-	) Kit, Pump, Fill, Battery	1
▲ 2	1070394	(00000000-	) Hose Kit, Battery, 24vdc [J305h Snake]	1
▲ 3	1204142	(00000000-	) Cap, Watering, Battery [Trojan]	4
▲ 4	1071084	(00000000-	) Label, Tag, Battery [Hydrolink Watering]	1
▲ 5	130773	(00000000-	) Tie, Cable, Nyl, 11.0l, .14w, 3.0 Max. D	2

▽ ASSEMBLY

▲ INCLUDED IN ASSEMBLY

HYDROLINK® IS A REGISTERED TRADEMARK OF TROJAN BATTERY COMPANY.