

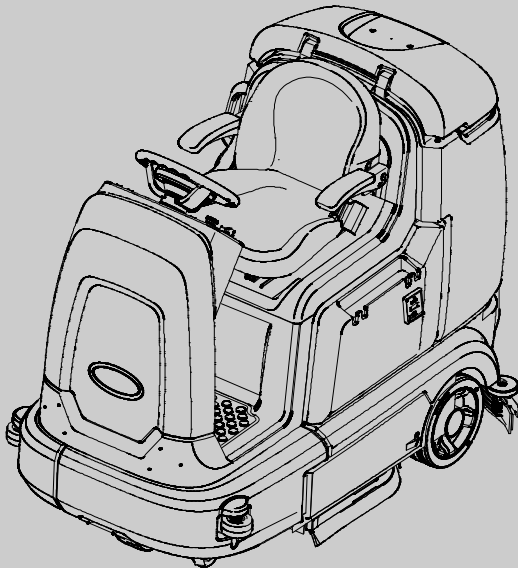
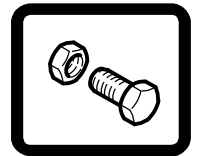


# T12

(Battery)

## Rider Scrubber Parts Manual

Machine Serial Number Range  
(S/N 10000000–19999999)



*The Safe Scrubbing Alternative<sup>®</sup>*  
*Tennant True<sup>®</sup> Parts*  
*IRIS<sup>®</sup> a Tennant Technology*  
*Insta-Fit<sup>™</sup> Adapter*



## North America / International



For the latest parts manuals and other  
language Operator manuals, visit:

[www.tennantco.com/manuals](http://www.tennantco.com/manuals)

9009916  
Rev. 07 (5-2016)



| Ref | Part No. | Serial Number         | Description                     | Qty. |
|-----|----------|-----------------------|---------------------------------|------|
| 1   | 82681    | (100000000–19999999 ) | Bracket Wldt, Lpg Mount         | 1    |
| 2   | 63810    | (100000000–19999999 ) | Latch Assy, Lpg Tank Mtg, W/Nut | 4    |
| 3   | 51839    | (100000000–19999999 ) | Nut Adjustable, Lpg Tank Mtg    | 2    |
| 4   | 49263    | (100000000–19999999 ) | Tie, Cable                      | 3    |
| 5   | 82556    | (100000000–10001564 ) | Bracket, Vaporizer              | 1    |
| 6   | 54930    | (100001567–19999999 ) | Vaporizer, LPG                  | 1    |

**HOW TO ORDER PARTS – See diagram above**

Only use TENNANT Company supplied or equivalent parts. Parts and supplies may be ordered online, by phone, by fax or by mail.

Follow the steps below to ensure prompt delivery.

1. **(A)** Identify the machine model.
2. **(B)** Identify the machine serial number from the data plate.
3. **(C)** Ensure the proper serial number is used from the parts list.
4. Identify the part number and quantity. Do not order by page or reference numbers.
5. Provide your name, company name, customer ID number, billing and shipping address, phone number and purchase order number.
6. Provide detail shipping instructions.

**(D)** ▽ – Identifies an assembly  
 ▲ – Identifies parts included in assembly

**EN**

**Please fill out at time of installation for future reference.**

Model No. – \_\_\_\_\_

Serial No. – \_\_\_\_\_

Machine Options – \_\_\_\_\_

Sales Rep. – \_\_\_\_\_

Sales Rep. phone no. – \_\_\_\_\_

Customer ID Number – \_\_\_\_\_

Installation Date – \_\_\_\_\_

**Tennant Company**

PO Box 1452

Minneapolis, MN 55440

Phone: (800) 553-8033 or (763) 513-2850

[www.tennantco.com](http://www.tennantco.com)

Touch-N-Go, 1-STEP, Grip-N-Go, Dura-Track, SmartRelease, Duramer, Insta-Fit are trademarks of Tennant Company.

Flow-Rite is a registered trademark of Flow-rite Controls.

Specifications and parts are subject to change without notice.

Copyright © 2013 – 2016 TENNANT Company, Printed in U.S.A.

|           |   |  |
|-----------|---|--|
| <b>CN</b> | <p><b>如何订购部件 - 参见下表</b><br/>                 仅使用 TENNANT 公司提供的或同等部件。部件和供应可以在线订购，通过电话、传真或邮件订购。<br/>                 请遵循下面的步骤确保及时交付。</p> <ol style="list-style-type: none"> <li>1. <b>(A)</b> 确定机器型号。</li> <li>2. <b>(B)</b> 从数据标签确定机器序列号。</li> <li>3. <b>(C)</b> 确保使用部件列表中的正确序列号。</li> <li>4. 确定部件号和数量。<br/>不要按页面或参考编号订购。</li> <li>5. 提供您的姓名、公司名称、客户 ID 号、付帐和送货地址、<br/>电话号码和采购单编号。</li> <li>6. 提供详细的送货说明。</li> </ol> <hr/> <p><b>(D)</b> ▽ - 确定组件<br/>▲ - 确定组件中包含的组件</p> | <p><b>请在安装时填写供未来参考。</b></p> <p>型号 - _____</p> <p>序列号 - _____</p> <p>机器选项 - _____</p> <p>销售代表 - _____</p> <p>销售代表电话号码 - _____</p> <p>客户 ID 编号 - _____</p> <p>安装日期 - _____</p> |
|-----------|---|--|

|           |  |   |
|-----------|--|---|
| <b>ES</b> | <p><b>CÓMO SOLICITAR PIEZAS - Consulte el diagrama anterior.</b></p> <p>Utilice sólo las piezas suministradas por TENNANT Company o piezas equivalentes. Puede solicitar las piezas a través de internet, por teléfono, por fax o por correo.</p> <p>Siga los siguientes pasos para que la entrega sea rápida.</p> <ol style="list-style-type: none"> <li>1. <b>(A)</b> Indique el modelo de máquina.</li> <li>2. <b>(B)</b> Indique el número de serie de la etiqueta de datos.</li> <li>3. <b>(C)</b> Asegúrese de que indica el número de serie correcto de la lista de piezas.</li> <li>4. Indique la cantidad y el número de la pieza.<br/>No realice el pedido indicando el número de página o el de referencia.</li> <li>5. Incluya su nombre, el nombre de la empresa, el ID de cliente,<br/>las direcciones de envío y facturación, el número de teléfono y el número del pedido de compra.</li> <li>6. Facilite instrucciones de envío.</li> </ol> <hr/> <p><b>(D)</b> ▽ - identifica un conjunto<br/>▲ - identifica piezas de un conjunto</p> | <p><b>Rellene estos datos cuando realice la instalación para utilizarlos como referencia en el futuro.</b></p> <p>Nº modelo - _____</p> <p>Nº serie - _____</p> <p>Opciones de la máquina - _____</p> <p>Vendedor - _____</p> <p>Nº teléfono vendedor - _____</p> <p>Nº cliente - _____</p> <p>Fecha de instalación - _____</p> |
|-----------|--|---|

|           |  |   |
|-----------|--|---|
| <b>FR</b> | <p><b>COMMENT COMMANDER DES PIÈCES DÉTACHÉES - Voir le schéma ci-dessus.</b></p> <p>Utilisez uniquement des pièces fournies par la société TENNANT ou équivalentes. Les pièces et fournitures peuvent être commandées en ligne, par téléphone, fax, ou par courrier.</p> <p>Suivez les étapes ci-dessous pour assurer une livraison rapide.</p> <ol style="list-style-type: none"> <li>1. <b>(A)</b> Identifiez le modèle de la machine.</li> <li>2. <b>(B)</b> Identifiez le numéro de série de la machine, à partir de l'étiquette signalétique.</li> <li>3. <b>(C)</b> Assurez-vous que le numéro de série correct est utilisé à partir de la liste de pièces détachées.</li> <li>4. Identifiez le numéro de pièce et la quantité. Ne commandez pas par page ou numéros de référence.</li> <li>5. Fournissez votre nom, le nom de votre société, votre numéro d'identification de client, l'adresse de facturation et d'expédition, le numéro de téléphone et le numéro du bon de commande.</li> <li>6. Fournissez des instructions d'expédition détaillées.</li> </ol> <hr/> <p><b>(D)</b> ▽ - identifie un assemblage<br/>▲ - identifie les pièces composant l'assemblage</p> | <p><b>A remplir au moment de l'installation à titre de référence.</b></p> <p>Nº du modèle - _____</p> <p>Nº de série - _____</p> <p>Options de la machine - _____</p> <p>Agent commercial - _____</p> <p>Nº tél. de l'agent commercial - _____</p> <p>Numéro d'identification client - _____</p> <p>Date d'installation - _____</p> |
|-----------|--|---|

|           |   |   |
|-----------|---|---|
| <b>JP</b> | <p><b>パーツの発注方法 ? 上記の図を参照してください</b><br/>                 TENNANT社製のパーツまたは同等品のみをお使いください。<br/>                 パーツやサプライ品のご注文は、オンライン、電話、FAX、または手紙でお願いいたします。<br/>                 確実にお届けできるように、以下の情報お知らせください。</p> <ol style="list-style-type: none"> <li>1. <b>(A)</b> 製品のモデル名をお知らせください。</li> <li>2. <b>(B)</b> 製品のデータラベルに印刷されているシリアル番号<br/>をお知らせください。</li> <li>3. <b>(C)</b> パーツリストを参照して、シリアル番号が正しいかご確認<br/>ください。</li> <li>4. パーツ番号と数量をお知らせください。マニュアル/カタログの<br/>ページ番号や参照番号でのご注文はご遠慮ください。</li> <li>5. お客様のお名前、会社名、顧客ID番号、請求/発送先住所、<br/>電話番号、注文書番号をお知らせください。</li> <li>6. 発送に関するご希望があれば、明記してください。</li> </ol> <hr/> <p><b>(D)</b> ▽ - アセンブリを示します<br/>▲ - アセンブリに含まれるパーツを示します</p> | <p><b>後日確認できるように、設置時に記入してください。</b></p> <p>モデルNo. - _____</p> <p>シリアルNo. - _____</p> <p>製品のオプション - _____</p> <p>販売代理店 - _____</p> <p>販売代理店の電話番号 - _____</p> <p>顧客ID番号 - _____</p> <p>設置日 - _____</p> |
|-----------|---|---|



**GENERAL RECOMMENDED MAINTENANCE****General Recommended Maintenance Items**

| Ref. | Part No. | Serial Number        | Description  | Qty. |
|------|----------|----------------------|--|------|
|      | 1200430  | (10000000-19999999 ) | Blade, Sqge, Side, 22.50l, Linatex                         | 2    |
|      | 1202159  | (10000000-19999999 ) | Blade, Sqge, Side, 22.50l, Ure                             | 2    |
|      | 1202160  | (10000000-19999999 ) | Blade, Sqge, Side, 22.50l, Gum                             | 2    |
|      | 1200383  | (10000000-19999999 ) | Blade, Sqge, Front, 42.59l [Linard]                        | 1    |
|      | 1200384  | (10000000-19999999 ) | Blade, Sqge, Rear, Linatex                                 | 1    |
|      | 1201825  | (10000000-19999999 ) | Blade, Sqge, Front, 43.19l [Gum]                           | 1    |
|      | 1201823  | (10000000-19999999 ) | Blade, Sqge, Front, 43.19l [Urethane]                      | 1    |
|      | 1201826  | (10000000-19999999 ) | Blade, Sqge, Rear, Gum                                     | 1    |
|      | 1201824  | (10000000-19999999 ) | Blade, Sqge, Rear, Urethane                                | 1    |
|      | 1054100  | (10000000-19999999 ) | Wheel, 04.0d 2.56w 0.41b                                   | 2    |
|      | 363162   | (10000000-19999999 ) | Wheel, 04.0d 0.89w 0.64b                                   | 2    |
|      | 1205850  | (10000000-19999999 ) | Caster Assy, Swivel  | 2    |
|      | 1027944  | (10000000-19999999 ) | Battery, Wet, 06vdc 0240ah, W/O Carton                     | 6    |
|      | 1070586  | (10000000-19999999 ) | Battery, Wet, 06vdc 0360ah, W/O Carton                     | 6    |
| ▽    | 9010935  | (10000000-19999999 ) | Tool, Belt, Cyl Head, Afmkt [T12] (Cylindrical Scrub Head) | 1    |
| ▲    | 1200334  | (10000000-19999999 ) | Belt, Drive, 7 Grv   | 2    |
| ▲    | 1203758  | (10000000-19999999 ) | Tool, Installation, Belt                                   | 1    |
|      | 1201053  | (10000000-19999999 ) | Skirt, Rbr, Front, Disc (Disc Scrub Head)                  | 1    |
|      | 1201185  | (10000000-19999999 ) | Strip, Skirt, Rear, Disc (Disc Scrub Head)                 | 1    |
|      | 361144   | (10000000-19999999 ) | Key, Ignition, Sgl   | 1    |
|      | 16411    | (10000000-19999999 ) | Off Whites/G Acrylic12.8oz[Acm101-00171]                   | 1    |
|      | 16412    | (10000000-19999999 ) | Teal Blue S/G Enamel12.8oz[lcm101-70266]                   | 1    |
|      | 377540   | (10000000-19999999 ) | Paint, Airdry, Blk, 12oz                                   | 1    |
|      | 377538   | (10000000-19999999 ) | Paint, Airdry, Gray, 12oz [Enamel]                         | 1    |
|      | 377537   | (10000000-19999999 ) | Iron Gray S/G Enamel12.8oz[lcm101-00517]                   | 1    |

## **GENERAL RECOMMENDED MAINTENANCE**

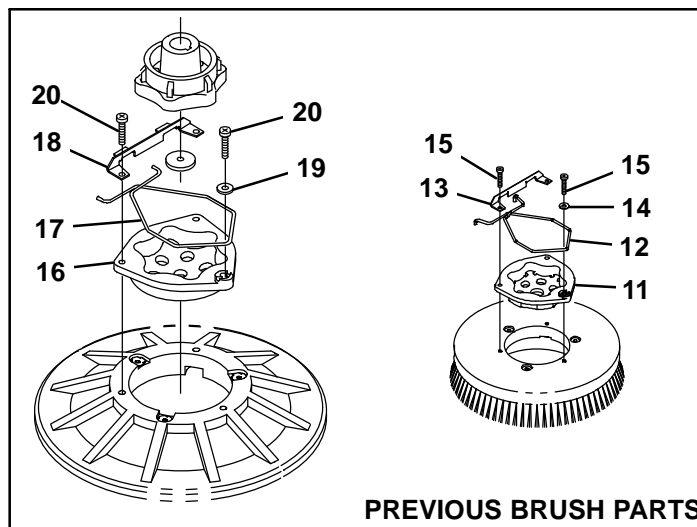
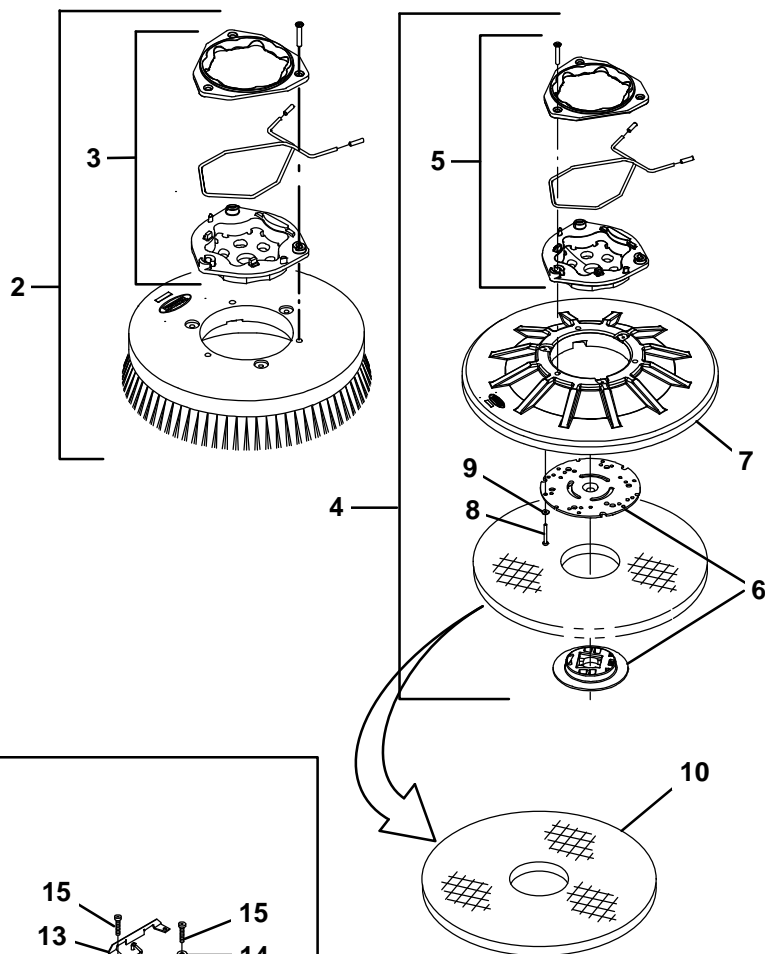
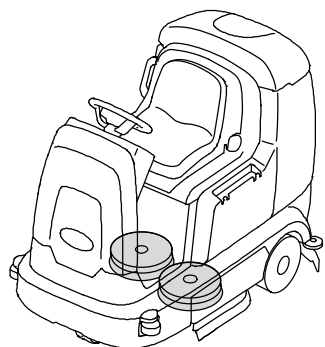
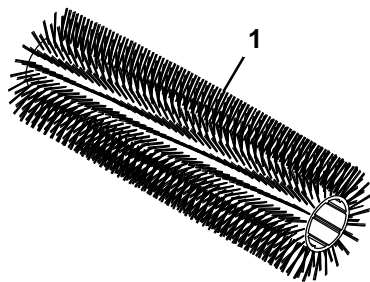
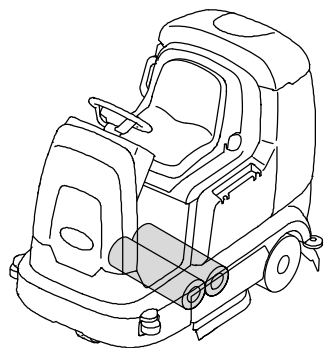
---

**SECTION 2**

| <b>Contents</b>   | <b>Page</b> |
|---|-------------|
| Fig. 1 – Replacement Brushes, Scrub Head . . . . .                | 2-2         |
| Fig. 2 – Replacement Brushes, Side Brush . . . . .                | 2-4         |
| Fig. 3 – Main Frame and Wheels Group . . . . .                    | 2-6         |
| Fig. 4 – Front Bumper and Side Door Group . . . . .               | 2-8         |
| Fig. 5 – Seat Support Group . . . . .                             | 2-10        |
| Fig. 6 – Seat Group, Standard . . . . .                           | 2-12        |
| Fig. 7 – Seat Kit, Deluxe . . . . .                               | 2-14        |
| Fig. 8 – Steering and Instrument<br>Panel Group, T12 . . . . .    | 2-16        |
| Fig. 9 – Steering and Instrument<br>Panel Group, T12XP . . . . .  | 2-18        |
| Fig. 10 – Front Cover and Directional<br>Pedal Group . . . . .    | 2-20        |
| Fig. 11 – Scrub Head Lift Group . . . . .                         | 2-22        |
| Fig. 12 – Scrub Head and Drive<br>Motor Group, Disk . . . . .     | 2-24        |
| Fig. 13 – Scrub Head Frame Group,<br>Cylindrical . . . . .        | 2-26        |
| Fig. 14 – Scrub Head Drive Motor Group,<br>Cylindrical . . . . .  | 2-28        |
| Fig. 15 – Scrub Head Side Squeegee<br>Group, Right Hand . . . . . | 2-30        |
| Fig. 16 – Scrub Head Side Squeegee<br>Group, Left Hand . . . . .  | 2-32        |
| Fig. 17 – Recovery Tank Group . . . . .                           | 2-34        |
| Fig. 18 – Vacuum Fan Group . . . . .                              | 2-36        |
| Fig. 19 – Solution Tank Group . . . . .                           | 2-38        |
| Fig. 20 – Rear Squeegee Lift Group . . . . .                      | 2-40        |
| Fig. 21 – Rear Squeegee Kit . . . . .                             | 2-42        |
| Fig. 22 – Electrical Circuit Board Group . . . . .                | 2-44        |
| Fig. 23 – Electrical Contactor and Wires Group . . . . .          | 2-46        |
| Fig. 24 – Battery Group, 240Ah . . . . .                          | 2-48        |
| Fig. 25 – Electrical Schematic Group . . . . .                    | 2-50        |
| Fig. 26 – Wire Harnesses Group . . . . .                          | 2-54        |
| Fig. 27 – Labels Group . . . . .                                  | 2-59        |

# STANDARD PARTS

Fig. 1 – Replacement Brushes, Scrub Head





**Fig. 1 – Replacement Brushes, Scrub Head**

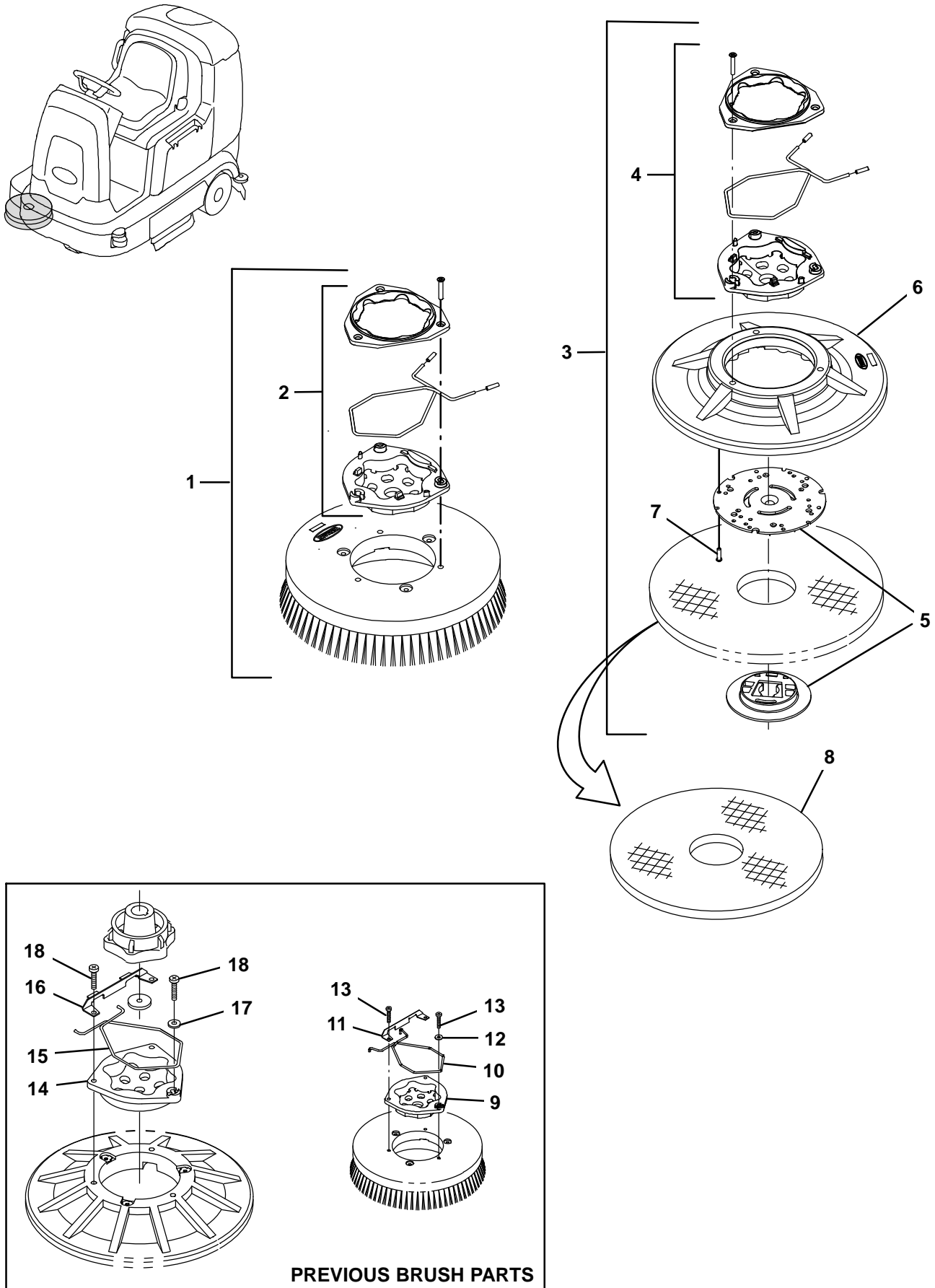
| Ref. | Part No. | Serial Number        | Description  | Qty. |
|------|----------|----------------------|--|------|
| 1    | 1201572  | (10000000-19999999 ) | Brush, Scb, 31l, 18sr, Polypropylene, Spl                                | 2    |
| 1    | 1201926  | (10000000-19999999 ) | Brush, Scb, 31l, 18sr, Polypropylene, 2 Way, Spl                         | 2    |
| 1    | 1201927  | (10000000-19999999 ) | Brush, Scb, 31l, 18sr, Polyester, Spl                                    | 2    |
| 1    | 1201928  | (10000000-19999999 ) | Brush, Scb, 31l, 18sr, Super Abrasive                                    | 2    |
| ▽    | 2        | 1220235              | (10000000-19999999 ) Brush Assy, Disk, Scrub, 16.0D, Nylon               | 2    |
| ▲    | 3        | 9014662              | (10000000-19999999 ) Brush Kit, Hub Assy, Drive, Ci [Hdpe In]            | 1    |
| ▽    | 2        | 1220241              | (10000000-19999999 ) Brush Assy, Disk, Scrub, 16.0D, Polypropylene       | 2    |
| ▲    | 3        | 9014662              | (10000000-19999999 ) Brush Kit, Hub Assy, Drive, Ci [Hdpe In]            | 1    |
| ▽    | 2        | 1221543              | (10000000-19999999 ) Brush Assy, Disk, Scrub, 16.0D, Super Abrasive      | 2    |
| ▲    | 3        | 9014662              | (10000000-19999999 ) Brush Kit, Hub Assy, Drive, Ci [Hdpe In]            | 1    |
| ▽    | 2        | 1220236              | (10000000-19999999 ) Brush Assy, Disk, Scrub, 16.0D, Polypropylene Stiff | 2    |
| ▲    | 3        | 9014662              | (10000000-19999999 ) Brush Kit, Hub Assy, Drive, Ci [Hdpe In]            | 1    |
| ▽    | 4        | 1220199              | (10000000-19999999 ) Driver Assy, Pad, 16.0D                             | 2    |
| ▲    | 5        | 9014666              | (10000000-19999999 ) Brush Kit, Hub Assy, Drive, Ci [Uhmw]               | 1    |
| ▲    | 6        | 370095               | (10000000-19999999 ) Device, Centering, Clip On, Ti [Gf Pp]              | 1    |
| ▲    | 7        | 397976               | (10000000-19999999 ) Disk, Driver, Pad, W/Face, 16.0D                    | 1    |
| ▲    | 8        | 09198                | (10000000-19999999 ) Screw, Pan, Phl, M4 X 0.70 X 35, Ss                 | 3    |
| ▲    | 9        | 41579                | (10000000-19999999 ) Washer, Flat, 08, Ss                                | 3    |
|      | 10       | 63248-1              | (10000000-19999999 ) Pad, Stripping, 16.0d, Brown[1pick=1pad]            | 2    |
|      | 10       | 63248-2              | (10000000-19999999 ) Pad, Scrubbing, 16.0d, Blu [1pick=1pad]             | 2    |
|      | 10       | 63248-3              | (10000000-19999999 ) Pad, Buff, 16.0d, Red [1pick=1pad]                  | 2    |
|      | 10       | 63248-4              | (10000000-19999999 ) Pad, Polish, 16.0d, White [1pick=1pad]              | 2    |
|      | 10       | 370092               | (10000000-19999999 ) Pad, Stripping, 16.0d[Hi Prod, Black, 1pick=1pad]   | 2    |
|      | 10       | 1051027              | (10000000-19999999 ) Pad, Surf Prep, 16.0d [Maroon, 1pick=1pad]          | 2    |

**Previous Brush Parts**

| Ref. | Part No. | Serial Number        | Description  | Qty. |
|------|----------|----------------------|--|------|
| 11   | 1017368  | (10000000-19999999 ) | Hub, Drive, Brush, Disk, 3hole 5.8bc                                       | 1    |
| 12   | 14838    | (10000000-19999999 ) | Spring, Wir, 0.16d, Brush Retaining  | 1    |
| 13   | 24299    | (10000000-19999999 ) | Bracket, Retainer, Spring  | 1    |
| 14   | 01684    | (10000000-19999999 ) | Washer, Flat, 0.27b 0.69d .05, Ss  | 1    |
| 15   | 32746    | (10000000-19999999 ) | Screw, Pan, Phl, M6 X 1.00 X 35, Ss  | 2    |
| 16   | 15539    | (10000000-19999999 ) | Hub, Drive, Brush, Disk, 3hole 5.8bc[6t]                                   | 1    |
| 17   | 14838    | (10000000-19999999 ) | Spring, Wir, 0.16d, Brush Retaining  | 1    |
| 18   | 24299    | (10000000-19999999 ) | Bracket, Retainer, Spring  | 1    |
| 19   | 01684    | (10000000-19999999 ) | Washer, Flat, 0.27b 0.69d .05, Ss  | 1    |
| 20   | 32746    | (10000000-19999999 ) | Screw, Pan, Phl, M6 X 1.00 X 35, Ss  | 1    |
|      | 30241    | (10000000-19999999 ) | Brush Assy, Disk, Scb, 16.0d, Polypropylene<br>(Replaced by 1220241)       | 2    |
|      | 1042500  | (10000000-19999999 ) | Brush Assy, Disk, Scb, 16.0d, Polypropylene Stiff<br>(Replaced by 1220236) | 2    |
|      | 1042499  | (10000000-19999999 ) | Brush Assy, Disk, Scb, 16.0d, Nylon<br>(Replaced by 1220235)               | 2    |
|      | 1042504  | (10000000-19999999 ) | Brush Assy, Disk, Scb, 16.0d, Super Abrasive<br>(Replaced by 1221543)      | 2    |
|      | 397916   | (10000000-19999999 ) | Driver Assy, Pad, 16.<br>(Replaced by 1220199)                             | 2    |

# STANDARD PARTS

## Fig. 2 - Replacement Brushes, Side Brush

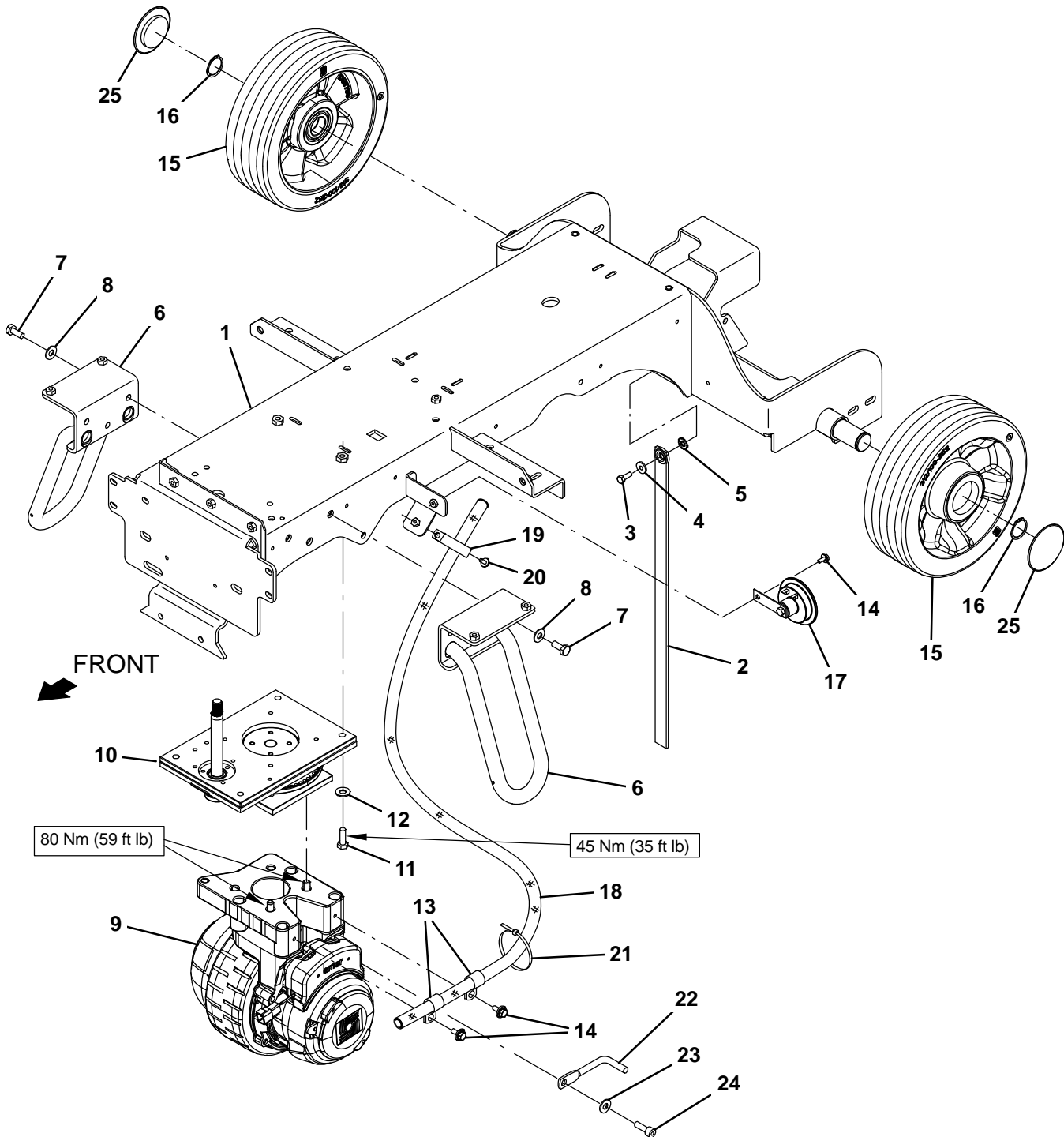


**Fig. 2 - Replacement Brushes, Side Brush**

| Ref. | Part No. | Serial Number | Description  | Qty. |
|------|----------|---------------|--|------|
| ▽    | 1        | 1220230       | (10000000- 19999999 ) Brush Assy, disk, Scb, 13.0D, Nylon  | 2    |
| ▲    | 2        | 9014662       | (10000000- 19999999 ) Brush Kit, Hub Assy, Drive, Cl   | 1    |
| ▽    | 1        | 1220231       | (10000000- 19999999 ) Brush Assy, disk, Scb, 13.0D, Polypropylene Stiff                                      | 2    |
| ▲    | 2        | 9014662       | (10000000- 19999999 ) Brush Kit, Hub Assy, Drive, Cl   | 1    |
| ▽    | 1        | 1220232       | (10000000- 19999999 ) Brush Assy, disk, Scb, 13.0d, Super Abrasive   | 2    |
| ▲    | 2        | 9014662       | (10000000- 19999999 ) Brush Kit, Hub Assy, Drive, Cl   | 1    |
| ▽    | 3        | 1220243       | (10000000- 19999999 ) Driver Assy, Pad, 13.0D  | 1    |
| ▲    | 4        | 9014664       | (10000000- 19999999 ) Brush Kit, Hub Assy, Drive, Cl   | 1    |
| ▲    | 5        | 370095        | (10000000- 19999999 ) Device, Centering, Clip On, TI [Gf Pp]   | 1    |
| ▲    | 6        | 1016063       | (10000000- 19999999 ) Disk, Driver, )Pad, W/Face, 13.0D  | 1    |
| ▲    | 7        | 360943        | (10000000- 19999999 ) Screw, Pan, Phl, 10- 14 X 0.75, F/Plstc  | 3    |
|      | 8        | 89046         | (10000000- 19999999 ) Pad, Stripping, 13.0d, Brown[1pick=1pad]   | 2    |
|      | 8        | 89047         | (10000000- 19999999 ) Pad, Scrubbing, 13.0d, Blue  | 2    |
|      | 8        | 89048         | (10000000- 19999999 ) Pad, Buff, 13.0d, Red [1pick=1pad]   | 2    |
|      | 8        | 89049         | (10000000- 19999999 ) Pad, Polish, 13.0d, White [1pick=1pad]   | 2    |
|      | 8        | 1051024       | (10000000- 19999999 ) Pad, Surf Prep, 13.0d [Mar, 1pick=1pad]  | 2    |
| Ref. | Part No. | Serial Number | Description  | Qty. |
|      | 9        | 1017368       | (10000000- 19999999 ) Hub, Drive, Brush, Disk, 3hole 5.8bc   | 1    |
|      | 10       | 14838         | (10000000- 19999999 ) Spring, Wir, 0.16d, Brush Retaining  | 1    |
|      | 11       | 24299         | (10000000- 19999999 ) Bracket, Retainer, Spring  | 1    |
|      | 12       | 01684         | (10000000- 19999999 ) Washer, Flat, 0.27b 0.69d .05, Ss  | 1    |
|      | 13       | 32746         | (10000000- 19999999 ) Screw, Pan, Phl, M6 X 1.00 X 35, Ss  | 3    |
|      | 14       | 1017368       | (10000000- 19999999 ) Hub, Drive, Brush, Disk, 3hole 5.8bc   | 1    |
|      | 15       | 1017957       | (10000000- 19999999 ) Spring, Retaining, Brush   | 1    |
|      | 16       | 24299         | (10000000- 19999999 ) Bracket, Retainer, Spring  | 1    |
|      | 17       | 01684         | (10000000- 19999999 ) Washer, Flat, 0.27b 0.69d .05, Ss  | 1    |
|      | 18       | 32746         | (10000000- 19999999 ) Screw, Pan, Phl, M6 X 1.00 X 35, Ss  | 3    |
|      |          | 1042492       | (10000000- 19999999 ) Brush Assy, Disk, Scb, 13.0d, Nylon (Scrubbing)<br>(Replaced by 1220230)               | 1    |
|      |          | 1042494       | (10000000- 19999999 ) Brush Assy, Disk, Scb, 13.0d, Polypropylene Stiff<br>(Scrubbing) (Replaced by 1220231) | 1    |
|      |          | 1042496       | (10000000- 19999999 ) Brush Assy, Disk, Scb, 13.0d, Super Abrasive<br>(Scrubbing) (Replaced by 1220232)      | 1    |
|      |          | 379013        | (10000000- 19999999 ) Driver Assy, Pad, 13.0d (Replaced by 1220243)  | 2    |

# STANDARD PARTS

Fig. 3 – Main Frame and Wheels Group

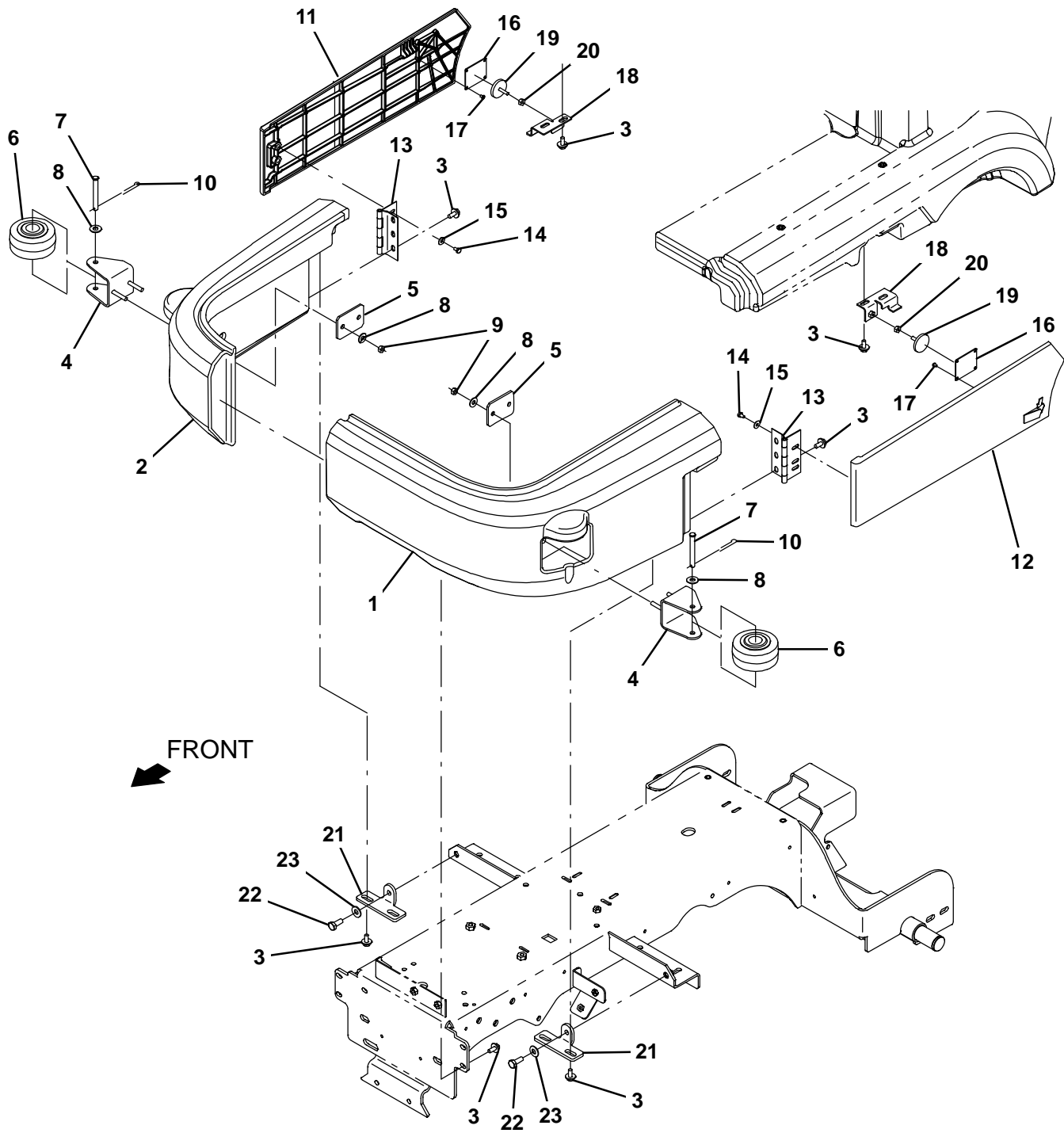


**Fig. 3 – Main Frame and Wheels Group**

| Ref. | Part No. | Serial Number        | Description                                     | Qty. |
|------|----------|----------------------|---|------|
| 1    | 1200025  | (10000000–19999999 ) | Frame Wldt [T12]                                | 1    |
| 2    | 71579    | (10000000–19999999 ) | Strap, Static, W/Grommet, .19 1.1w 25.0l        | 1    |
| 3    | 09011    | (10000000–19999999 ) | Screw, Hex, M8 X 1.25 X 30, Ss                  | 1    |
| 4    | 41141    | (10000000–19999999 ) | Washer, Lock, Int–Ext, 0.31                     | 1    |
| 5    | 01685    | (10000000–19999999 ) | Washer, Flat, 0.38b 0.88d .08, Ss               | 1    |
| 6    | 1200298  | (10000000–19999999 ) | Stabilizer Wldt [Cassoday]                      | 2    |
| 7    | 12317    | (10000000–19999999 ) | Screw, Hex, M10 X 1.50 X 30, Ss                 | 6    |
| 8    | 01686    | (10000000–19999999 ) | Washer, Flat, 0.44b 1.00d .08, Ss               | 6    |
| 9    | 1200150  | (10000000–19999999 ) | Wheel, Drive, Ac (See Breakdown)                | 1    |
| 10   | 1200203  | (10000000–19999999 ) | Steer–Control Assy, Wheel Drive (See Breakdown) | 1    |
| 11   | 09028    | (10000000–19999999 ) | Screw, Hex, M10 X 1.50 X 25, Ss                 | 4    |
| 12   | 01686    | (10000000–19999999 ) | Washer, Flat, 0.44b 1.00d .08, Ss               | 4    |
| 13   | 69234    | (10000000–19999999 ) | Clamp, Cable, Stl, 1.00d X 0.75w, 1hole         | 2    |
| 14   | 1020341  | (10000000–19999999 ) | Screw, Hex, M8 X 1.25 X 20, Ss, Sems            | 3    |
| 15   | 1060626  | (10000000–19999999 ) | Tire Assy, Solid, 300mm X 100mm, Ure            | 2    |
| 16   | 1059019  | (10000000–19999999 ) | Ring, Retaining, Ext, 1.375od                   | 2    |
| 17   | 1057780  | (10000000–19999999 ) | Horn, 36vdc, 110dba                             | 1    |
| 18   | 82833    | (10000000–19999999 ) | Sleeve, Nyl, 1.22id 35.0l                       | 1    |
| 19   | 09570    | (10000000–19999999 ) | Clamp, Cable, Stl, 0.9x1.8x0.62w, 1hole         | 1    |
| 20   | 1034731  | (10000000–19999999 ) | Screw, Hex, M6 X 1.00 X 16, Ss, Sems            | 1    |
| 21   | 130773   | (10000000–19999999 ) | Tie, Cable, Nyl, 11.0l, .14w, 3.0 Max. D        | 3    |
| 22   | 1207171  | (10000000–19999999 ) | Rod, Sppt                                       | 1    |
| 23   | 33924    | (10000000–19999999 ) | Washer, Flat, M10, Ss                           | 1    |
| 24   | 41358    | (10000000–19999999 ) | Screw, Soc, M10X1.50X35, 12.9                   | 1    |
| 25   | 9011872  | (10000000–19999999 ) | Cap, Hub, Wheel [For 1060626]                   | 2    |

# STANDARD PARTS

Fig. 4 – Front Bumper and Side Door Group

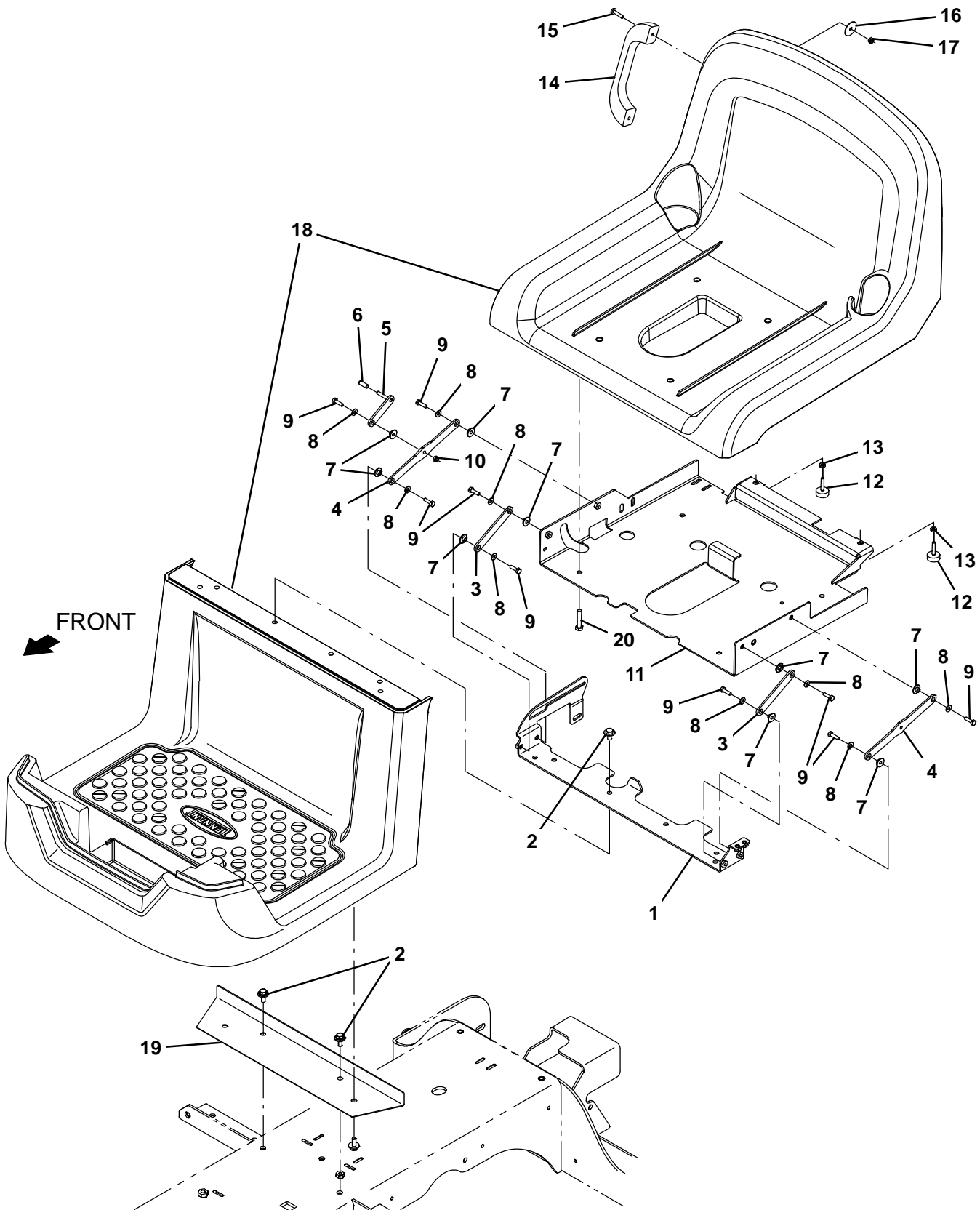


**Fig. 4 – Front Bumper and Side Door Group**

| Ref. | Part No. | Serial Number        | Description                            | Qty. |
|------|----------|----------------------|--|------|
| 1    | 9010924  | (10000000–19999999 ) | Bumper, Lh, Afmkt [T12]                | 1    |
| 2    | 9010925  | (10000000–19999999 ) | Bumper, Rh, Afmkt [T12]                | 1    |
| 3    | 1020341  | (10000000–19999999 ) | Screw, Hex, M8 X 1.25 X 20, Ss, Sems   | 15   |
| 4    | 1200869  | (10000000–19999999 ) | Channel Wldt, Rlr                      | 2    |
| 5    | 1200870  | (10000000–19999999 ) | Plate, Backing, Roller                 | 2    |
| 6    | 1054100  | (10000000–19999999 ) | Wheel, 04.0d 2.56w 0.41b               | 2    |
| 7    | 57598    | (10000000–19999999 ) | Pin, Clevis, 0.37d X 3.25l             | 2    |
| 8    | 01685    | (10000000–19999999 ) | Washer, Flat, 0.38b 0.88d .08, Ss      | 6    |
| 9    | 08713    | (10000000–19999999 ) | Nut, Hex, Lock, M8 X 1.25, NI, Ss      | 4    |
| 10   | 44906    | (10000000–19999999 ) | Pin, Cotter, Hair, 0.38d .093 Wir      | 2    |
| 11   | 1202289  | (10000000–19999999 ) | Panel, Door, Rh                        | 1    |
| 12   | 1202392  | (10000000–19999999 ) | Panel, Door, Lh                        | 1    |
| 13   | 1202349  | (10000000–19999999 ) | Hinge, Brush Door, Bent                | 2    |
| 14   | 06941    | (10000000–19999999 ) | Screw, Hex, M6 X 1.00 X 10, 8.8        | 4    |
| 15   | 01684    | (10000000–19999999 ) | Washer, Flat, 0.27b 0.69d .05, Ss      | 4    |
| 16   | 1202941  | (10000000–19999999 ) | Plate, Latch                           | 2    |
| 17   | 1203025  | (10000000–19999999 ) | Screw, Pan, Phl, 08–16 X 0.25, F/Plstc | 8    |
| 18   | 1200984  | (10000000–19999999 ) | Bracket Wldt, Latch, Lh                | 2    |
| 19   | 1202779  | (10000000–19999999 ) | Magnet, Latch, Brush Door              | 2    |
| 20   | 32520    | (10000000–19999999 ) | Nut, Hex, Jam, .25–20                  | 2    |
| 21   | 1200460  | (10000000–19999999 ) | Bracket, Bumper, Right                 | 2    |
| 22   | 09028    | (10000000–19999999 ) | Screw, Hex, M10 X 1.50 X 25, Ss        | 2    |
| 23   | 01686    | (10000000–19999999 ) | Washer, Flat, 0.44b 1.00d .08, Ss      | 2    |

# STANDARD PARTS

## Fig. 5 - Seat Support Group



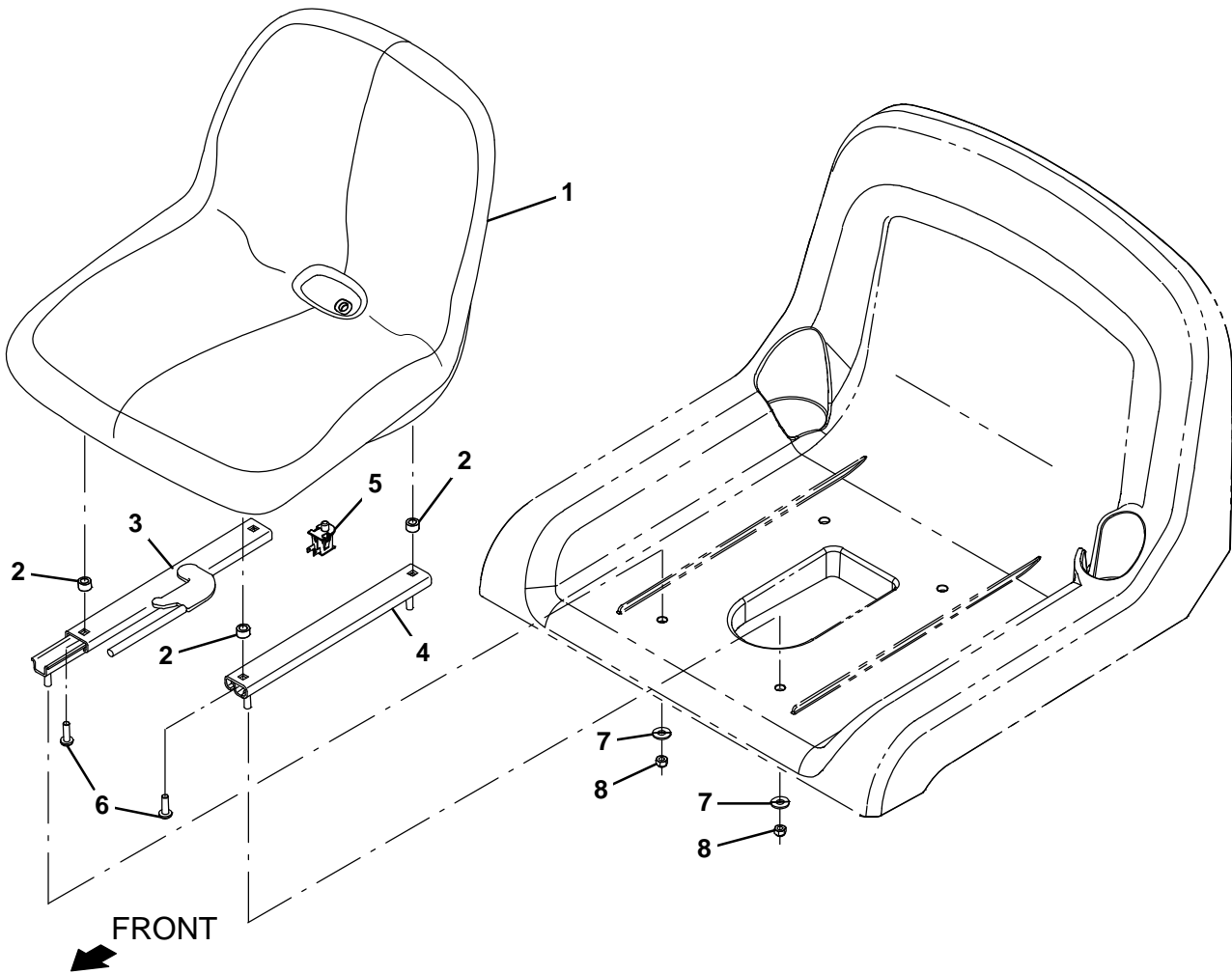


**Fig. 5 – Seat Support Group**

| <b>Ref.</b> | <b>Part No.</b> | <b>Serial Number</b> | <b>Description</b>                         | <b>Qty.</b> |
|-------------|-----------------|----------------------|--|-------------|
| 1           | 9011057         | (10000000–19999999 ) | Plate Wldt, Mtg, W/Label, Aftmkt, Na       | 1           |
| 1           | 9011058         | (10000000–19999999 ) | Plate Wldt, Mtg, W/Label, Aftmkt, JP       | 1           |
| 2           | 1020341         | (10000000–19999999 ) | Screw, Hex, M8 X 1.25 X 20, Ss, Sems       | 10          |
| 3           | 1200827         | (10000000–19999999 ) | Link, Oprtr Station                        | 2           |
| 4           | 1200828         | (10000000–19999999 ) | Link, Oprtr Station                        | 2           |
| 5           | 1201103         | (10000000–19999999 ) | Link Wldt, Oprtr Station                   | 1           |
| 6           | 1202957         | (10000000–19999999 ) | Grip, Handle, .25d .90l Yel                | 1           |
| 7           | 1202156         | (10000000–19999999 ) | Sleeve, Flange                             | 9           |
| 8           | 19066           | (10000000–19999999 ) | Washer, Flat, 0.25b 0.56d .05, Pl, 10      | 10          |
| 9           | 08716           | (10000000–19999999 ) | Screw, Hex, M6 X 1.00 X 20, Ss             | 9           |
| 10          | 08708           | (10000000–19999999 ) | Nut, Hex, Lock, M6 X 1.00, NI              | 1           |
| 11          | 1200210         | (10000000–19999999 ) | Channel Wldt, Seat                         | 1           |
| 12          | 20802           | (10000000–19999999 ) | Bumper, Rbr, 1.0d 0.38th .25–20            | 2           |
| 13          | 32520           | (10000000–19999999 ) | Nut, Hex, Jam, .25–20                      | 2           |
| 14          | 381962          | (10000000–19999999 ) | Handle, Container                          | 1           |
| 15          | 382726          | (10000000–19999999 ) | Screw, Pan, Phl, M6 X 1.00 X 25, 4.8       | 2           |
| 16          | 41178           | (10000000–19999999 ) | Washer, Flat, 0.25, Fendr                  | 2           |
| 17          | 08712           | (10000000–19999999 ) | Nut, Hex, Lock, M6 X 1.00, NI, Ss          | 2           |
| 18          | 9009632         | (10000000–19999999 ) | Part Kit, Station, Oprtn, Plstc [2Pc=1Kit] | 1           |
| 19          | 1200612         | (10000000–19999999 ) | Angle, Support                             | 1           |
| 20          | 09026           | (10000000–19999999 ) | Screw, Hex, M8 X 1.25 X 40, Ss             | 4           |

# STANDARD PARTS

Fig. 6 – Seat Group, Standard

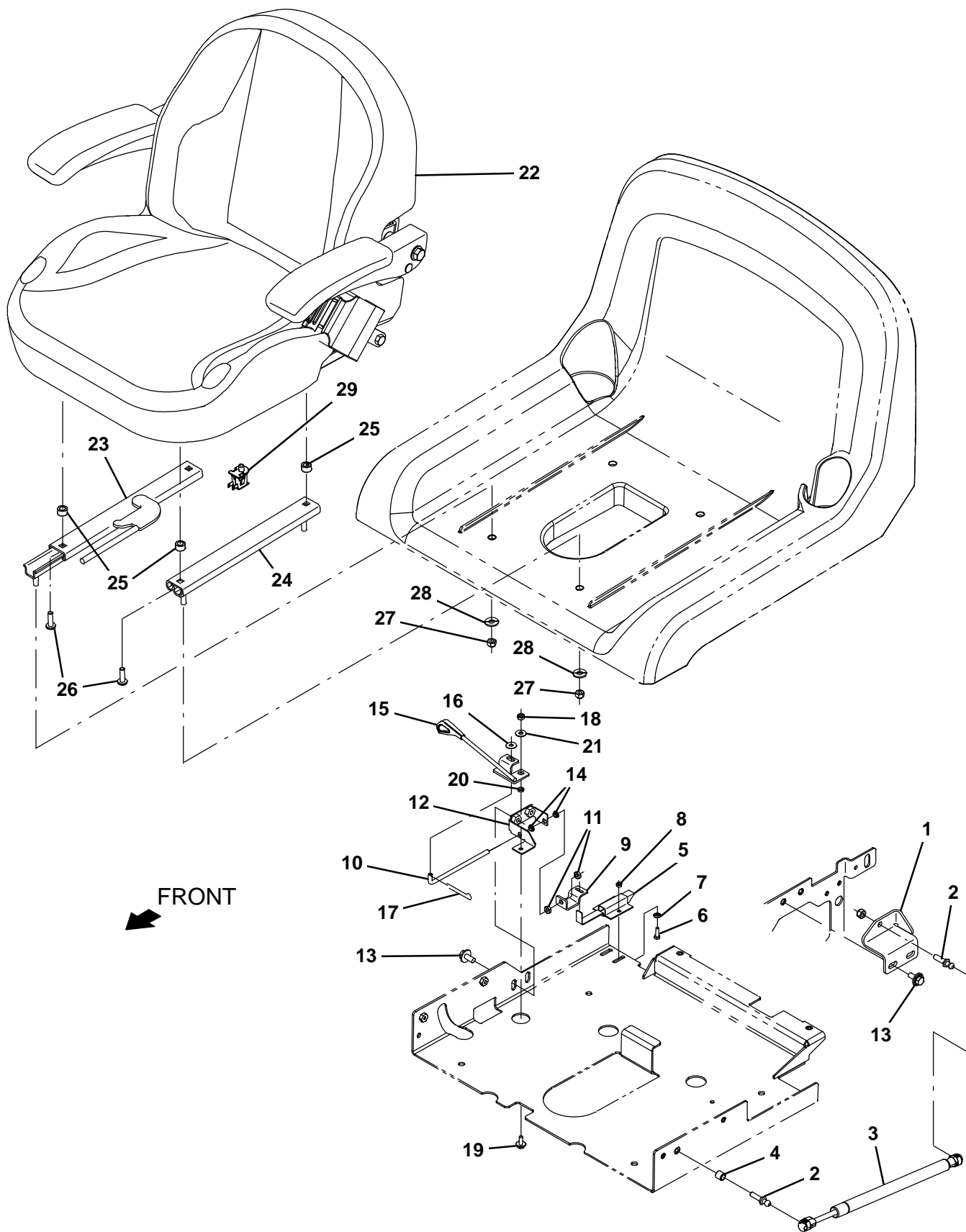


**Fig. 6 – Seat Group, Standard**

| <b>Ref.</b> | <b>Part No.</b> | <b>Serial Number</b> | <b>Description</b>                     | <b>Qty.</b> |
|-------------|-----------------|----------------------|--|-------------|
| 1           | 1201894         | (10000000–19999999 ) | Seat, Std [Milsco]                     | 1           |
| 2           | 1051052         | (10000000–19999999 ) | Spacer, Rnd, .38b .88d .38l            | 4           |
| 3           | 360370          | (10000000–19999999 ) | Track, Slide, Seat Adj, 12.5l, W/Latch | 1           |
| 4           | 360369          | (10000000–19999999 ) | Track, Slide, Seat Adj, 12.5l          | 1           |
| 5           | 1048955         | (10000000–19999999 ) | Switch, Seat, No [Delta 6440–04]       | 1           |
| 6           | 1035038         | (10000000–19999999 ) | Screw, Hex, .31–18 X 1.38, Ss, NI      | 4           |
| 7           | 01685           | (10000000–19999999 ) | Washer, Flat, 0.38b 0.88d .08, Ss      | 4           |
| 8           | 41437           | (10000000–19999999 ) | Nut, Hex, Lock, .31–18, NI, Ss         | 4           |

# STANDARD PARTS

## Fig. 7 - Seat Kit, Deluxe

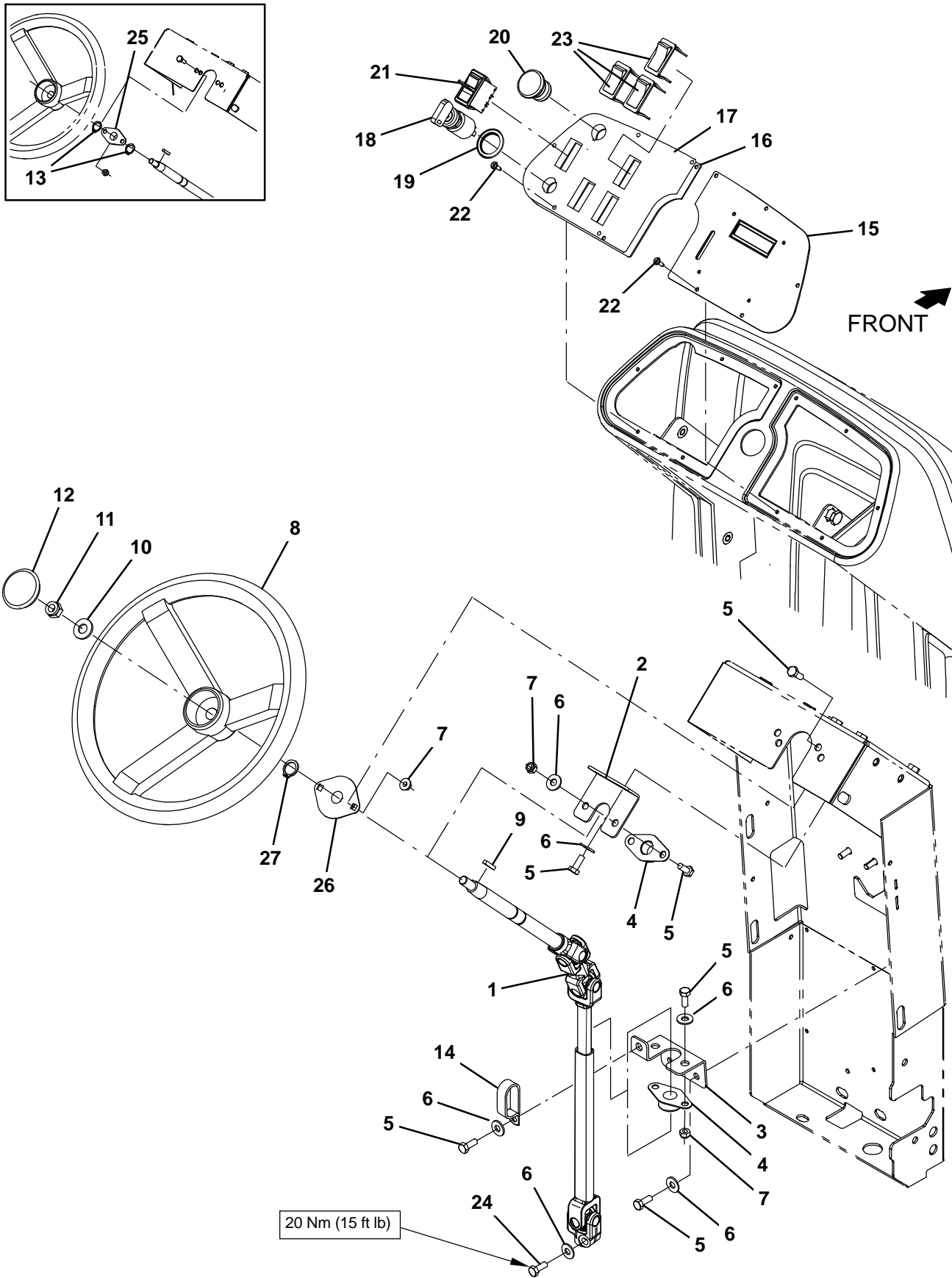


**Fig. 7 – Seat Kit, Deluxe**

| Ref. | Part No.   | Serial Number        | Description                              | Qty. |
|------|------------|----------------------|--|------|
| ▽    | 9009836    | (10000000–19999999 ) | Seat Kit, Deluxe, Ci [T12]               | 1    |
| ▲    | 1 1202800  | (10000000–19999999 ) | Bracket, Mtg, Ball Stud                  | 1    |
| ▲    | 2 1012878  | (10000000–19999999 ) | Stud, Ball, .39d .31–18                  | 2    |
| ▲    | 3 14464    | (10000000–19999999 ) | Gas spring, 35lb, 8.0strk                | 1    |
| ▲    | 4 222460   | (10000000–19999999 ) | Sleeve, P/M, 0.32b 0.50d 0.5l [430ss]    | 1    |
| ▲    | 5 1025736  | (10000000–19999999 ) | Latch                                    | 1    |
| ▲    | 6 24199    | (10000000–19999999 ) | Screw, Hex, M5 X 0.80 X 16, Ss           | 2    |
| ▲    | 7 140011   | (10000000–19999999 ) | Washer, Flat, 0.21b 0.45d .03, Ss        | 2    |
| ▲    | 8 09739    | (10000000–19999999 ) | Nut, Hex, Lock, M5 X 0.80, NI, Ss        | 2    |
| ▲    | 9 1200999  | (10000000–19999999 ) | Angle, Latch                             | 1    |
| ▲    | 10 1203958 | (10000000–19999999 ) | Handle, Latch                            | 1    |
| ▲    | 11 32520   | (10000000–19999999 ) | Nut, Hex, Jam, .25–20                    | 2    |
| ▲    | 12 1203946 | (10000000–19999999 ) | Bracket Wldt, Latch                      | 1    |
| ▲    | 13 1020341 | (10000000–19999999 ) | Screw, Hex, M8 X 1.25 X 20, Ss, Sems     | 4    |
| ▲    | 14 80921   | (10000000–19999999 ) | Bushing, Snap–In, 0.25b 0.31d 0.08th Nyl | 2    |
| ▲    | 15 1205295 | (10000000–19999999 ) | Handle Assy, Latch, Seat                 | 1    |
| ▲    | 16 01684   | (10000000–19999999 ) | Washer, Flat, 0.27b 0.69d .05, Ss        | 2    |
| ▲    | 17 08085   | (10000000–19999999 ) | Pin, Cotter, Hair, 0.31d .058 Wir        | 1    |
| ▲    | 18 08712   | (10000000–19999999 ) | Nut, Hex, Lock, M6 X 1.00, NI, Ss        | 1    |
| ▲    | 19 1034731 | (10000000–19999999 ) | Screw, Hex, M6 X 1.00 X 16, Ss, Sems     | 1    |
| ▲    | 20 1205764 | (10000000–19999999 ) | Sleeve, P/M, 0.25b 0.38d 0.1l [430ss]    | 1    |
| ▲    | 21 29570   | (10000000–19999999 ) | Washer, Flat, 0.28b 1.00d .06, Stl       | 1    |
| ▲    | 22 1201428 | (10000000–19999999 ) | Seat, Dlx, W/ Armrests & Seatbelt        | 1    |
| ▲    | 23 360370  | (10000000–19999999 ) | Track, Slide, Seat Adj, 12.5l, W/Latch   | 1    |
| ▲    | 24 360369  | (10000000–19999999 ) | Track, Slide, Seat Adj, 12.5l            | 1    |
| ▲    | 25 1051052 | (10000000–19999999 ) | Spacer, Rnd, .38b .88d .38l              | 4    |
| ▲    | 26 1035038 | (10000000–19999999 ) | Screw, Hex, .31–18 X 1.38, Ss, NI        | 4    |
| ▲    | 27 41437   | (10000000–19999999 ) | Nut, Hex, Lock, .31–18, NI, Ss           | 4    |
| ▲    | 28 01685   | (10000000–19999999 ) | Washer, Flat, 0.38b 0.88d .08, Ss        | 4    |
| ▲    | 29 1048955 | (10000000–19999999 ) | Switch, Seat, No [Delta 6440–04]         | 4    |

# STANDARD PARTS

Fig. 8 – Steering and Instrument Panel Group, T12

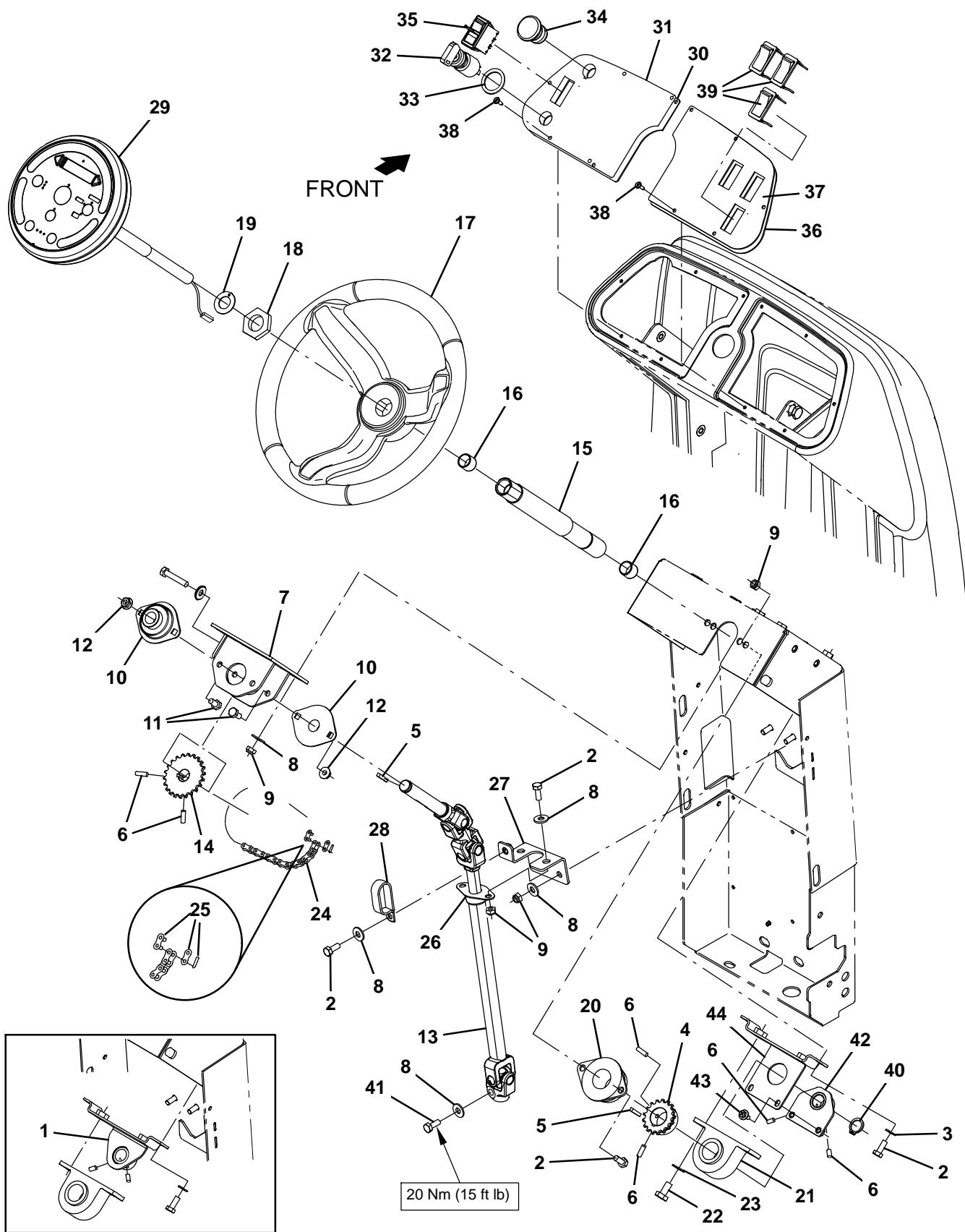


**Fig. 8 – Steering and Instrument Panel Group, T12**

| Ref. | Part No. | Serial Number        | Description                              | Qty.                          |   |
|------|----------|----------------------|--|-------------------------------|---|
| 1    | 1202600  | (10000000–19999999 ) | Shaft Assy, Steering, Basic              | 1                             |   |
| 2    | 1201253  | (10000000–19999999 ) | Bracket, Mtg, Brg                        | 1                             |   |
| 3    | 1205753  | (10000000–19999999 ) | Bracket Wldt, Sppt, Brg                  | 1                             |   |
| 4    | 223065   | (10000000–19999999 ) | Bearing, Flng, 2hole, 0.75b [Nyl]        | 2                             |   |
| 5    | 16931    | (10000000–19999999 ) | Screw, Hex, M8 X 1.25 X 20, 8.8          | 5                             |   |
| 6    | 32491    | (10000000–19999999 ) | Washer, Flat, 0.31, Std                  | 8                             |   |
| 7    | 08709    | (10000000–19999999 ) | Nut, Hex, Lock, M8 X 1.25, NI            | 6                             |   |
| 8    | 1036490  | (10000000–19999999 ) | Wheel, Steering, 14.0d, Taper Bore       | 1                             |   |
| 9    | 00912    | (10000000–19999999 ) | Key, Sq, 0.19 X 0.19, 1.00l              | 1                             |   |
| 10   | 08711    | (10000000–19999999 ) | Nut, Hex, Lock, M12 X 1.75, NI           | 1                             |   |
| 11   | 32493    | (10000000–19999999 ) | Washer, Flat, 0.50, Std                  | 1                             |   |
| 12   | 1038966  | (10000000–19999999 ) | Cap, Wheel, Steering                     | 1                             |   |
| 13   | 26428    | (10000000–10638330 ) | Ring, Retaining, Ext, 0.75d, Hd          | 2                             |   |
| 14   | 09570    | (10000000–19999999 ) | Clamp, Cable, Stl, 0.9x1.8x0.62w, 1hole  | 1                             |   |
| 15   | 9013277  | (10000000–19999999 ) | Panel kit, Cntrl, Replmt [T12]           | 1                             |   |
| 16   | 1201180  | (10000000–19999999 ) | Panel, Console, Lh                       | 1                             |   |
| 17   | 1204177  | (10000000–19999999 ) | Label, Opertnl, Console, Lh              | 1                             |   |
| ▽    | 18       | 361076               | (10000000–19999999 )                     | Switch, Ignition [Merit Gmbh] | 1 |
| ▲    |          | 361144               | (10000000–19999999 )                     | Key, ignition, Sgl            | 1 |
| 19   | 82226    | (10000000–19999999 ) | Washer, Flat, 0.91b 1.38d .06, Stl, PI   | 1                             |   |
| 20   | 1011735  | (10000000–19999999 ) | Switch, Safety, Shutoff                  | 1                             |   |
| 21   | 1058679  | (10000000–19999999 ) | Switch, Rocker, Dpdt, On / None / On     | 1                             |   |
| 22   | 140825   | (10000000–19999999 ) | Screw, Pan, Phl, 06 X 0.50, Fmg/Ab, Blk  | 10                            |   |
| 23   | 398501   | (10000000–19999999 ) | Plug, Hole, Rt, Rocker Switch, .87 X 1.7 | 3                             |   |
| 24   | 39277    | (10000000–19999999 ) | Screw, Hex, M8 X 1.25 X 25, 8.8          | 1                             |   |
| 25   | 223065   | (10000000–10638330 ) | Bearing, Flng, 2hole, 0.75b [Nyl]        | 1                             |   |
| 26   | 36428    | (10638331–19999999 ) | Plate, Lintel Backing                    | 1                             |   |
| 27   | 1057554  | (10638331–19999999 ) | Bearing, Flng, 2hole, 0.75b              | 1                             |   |

# STANDARD PARTS

Fig. 9 – Steering and Instrument Panel Group, T12XP



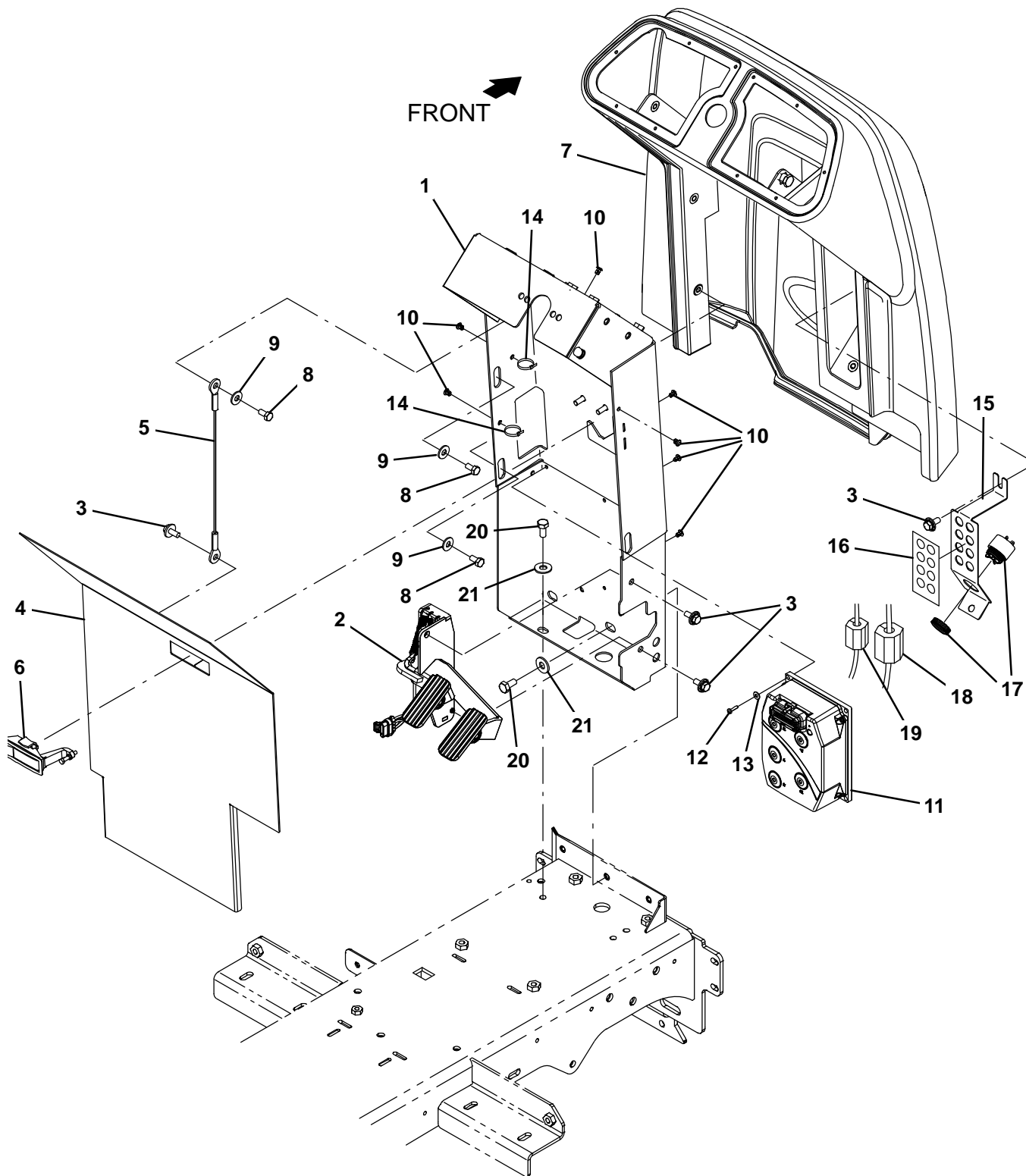


**Fig. 9 – Steering and Instrument Panel Group, T12XP**

| Ref. | Part No. | Serial Number        | Description                              | Qty.                          |   |
|------|----------|----------------------|--|-------------------------------|---|
| 1    | 1200263  | (10000000-10713299 ) | Bracket Wldt, Brg                        | 1                             |   |
| 2    | 16931    | (10000000-19999999 ) | Screw, Hex, M8 X 1.25 X 20, 8.8          | 7                             |   |
| 3    | 32490    | (10000000-19999999 ) | Washer, Flat, 0.25, Std                  | 2                             |   |
| 4    | 9010942  | (10000000-19999999 ) | Sprocket Kit, 1.12b, Afmkt [T12]         | 1                             |   |
| 5    | 00912    | (10000000-19999999 ) | Key, Sq, 0.19 X 0.19, 1.00l              | 2                             |   |
| 6    | 09162    | (10000000-19999999 ) | Screw, Set, M6 X 1.00 X 8, NI            | 6                             |   |
| 7    | 1057572  | (10000000-19999999 ) | Plate Wldt, Sppt, Brg                    | 1                             |   |
| 8    | 32491    | (10000000-19999999 ) | Washer, Flat, 0.31, Std                  | 10                            |   |
| 9    | 08709    | (10000000-19999999 ) | Nut, Hex, Lock, M8 X 1.25, NI            | 10                            |   |
| 10   | 1057554  | (10000000-19999999 ) | Bearing, Flng, 2hole, 0.75b              | 2                             |   |
| 11   | 16735    | (10000000-19999999 ) | Screw, Hex, M8 X 1.25 X 16, 8.8          | 4                             |   |
| 12   | 07791    | (10000000-19999999 ) | Nut, Hex, Flng, M8 X 1.25                | 4                             |   |
| 13   | 1202601  | (10000000-19999999 ) | Shaft Assy, Steering [T12]               | 1                             |   |
| 14   | 9010943  | (10000000-19999999 ) | Sprocket Kit, 0.75b, Afmkt [T12]         | 1                             |   |
| 15   | 1201150  | (10000000-10713299 ) | Tube, Column, Steering                   | 1                             |   |
| 15   | 1208612  | (10713300-19999999 ) | Tube, Column, Steering                   | 1                             |   |
| 16   | 1057785  | (10000000-19999999 ) | Bearing, Journal, 0.75b 0.88d 0.75l      | 2                             |   |
| 17   | 1056412  | (10000000-19999999 ) | Wheel, Steering, 14.4d                   | 1                             |   |
| 18   | 1059073  | (10000000-19999999 ) | Nut, Hex, Jam, 1.12-12                   | 1                             |   |
| 19   | 04846    | (10000000-19999999 ) | Washer, Thrust, 0.79b 1.42d 0.06[Garlok] | 1                             |   |
| 20   | 1057043  | (10000000-19999999 ) | Bearing, Flng, 2hole, 1.25b              | 1                             |   |
| 21   | 1054654  | (10000000-19999999 ) | Bearing, Pillowblock, 1.12b              | 1                             |   |
| 22   | 06961    | (10000000-19999999 ) | Screw, Hex, M10 X 1.5                    | 2                             |   |
| 23   | 32485    | (10000000-19999999 ) | Washer, Flat, 0.38, Sae                  | 2                             |   |
| 24   | 1053977  | (10000000-19999999 ) | Chain, Rlr, 35 X 35 Pitches              | 1                             |   |
| 25   | 14799    | (10000000-19999999 ) | Link, Chain, Rlr, 35                     | 1                             |   |
| 26   | 223065   | (10000000-19999999 ) | Bearing, Flng, 2hole, 0.75b [Nyl]        | 1                             |   |
| 27   | 1205753  | (10000000-19999999 ) | Bracket Wldt, Sppt, Brg                  | 1                             |   |
| 28   | 09570    | (10000000-19999999 ) | Clamp, Cable, Stl, 0.9x1.8x0.62w, 1hole  | 1                             |   |
| 29   | 9013157  | (10000000-10713299 ) | Panel Assy, Steering Poc, Ci [T12]       | 1                             |   |
| 29   | 9010934  | (10713300-19999999 ) | Panel, Pod, W/Instr Afmkt [T12]          | 1                             |   |
| 30   | 1201534  | (10000000-19999999 ) | Panel, Console, Lh                       | 1                             |   |
| 31   | 1204170  | (10000000-19999999 ) | Label, Opertnl, Console, Lh              | 1                             |   |
| ▽    | 32       | 361076               | (10000000-19999999 )                     | Switch, Ignition [Merit Gmbh] | 1 |
| ▲    |          | 361144               | (10000000-19999999 )                     | Key, ignition, Sgl            | 1 |
| 33   | 82226    | (10000000-19999999 ) | Washer, Flat, 0.91b 1.38d .06, Stl, PI   | 1                             |   |
| 34   | 1011735  | (10000000-19999999 ) | Switch, Safety, Shutoff                  | 1                             |   |
| 35   | 1058679  | (10000000-19999999 ) | Switch, Rocker, Dpdt, On / None / On     | 1                             |   |
| 36   | 1201535  | (10000000-19999999 ) | Panel, Console, Rh                       | 1                             |   |
| 37   | 1204176  | (10000000-19999999 ) | Label, Opertnl, Console, Rh              | 1                             |   |
| 38   | 140825   | (10000000-19999999 ) | Screw, Pan, Phl, 06 X 0.50, Fmg/Ab, Blk  | 10                            |   |
| 39   | 398501   | (10000000-19999999 ) | Plug, Hole, Rt, Rocker Switch, .87 X 1.7 | 3                             |   |
| 40   | 70651    | (10000000-19999999 ) | Ring, Retaining, Ext, 1.12d              | 1                             |   |
| 41   | 39277    | (10000000-19999999 ) | Screw, Hex, M8 X 1.25 X 25, 8.8          | 1                             |   |
| 42   | 1208625  | (10713300-19999999 ) | Plate Wldt, Brg                          | 1                             |   |
| 43   | 1034731  | (10713300-19999999 ) | Screw, Hex, M6 X 1.00 X 16, Sems, Ss     | 2                             |   |
| 44   | 1208622  | (10713300-19999999 ) | Bracket Wldt, Brg                        | 1                             |   |

# STANDARD PARTS

Fig. 10 – Front Cover and Directional Pedal Group

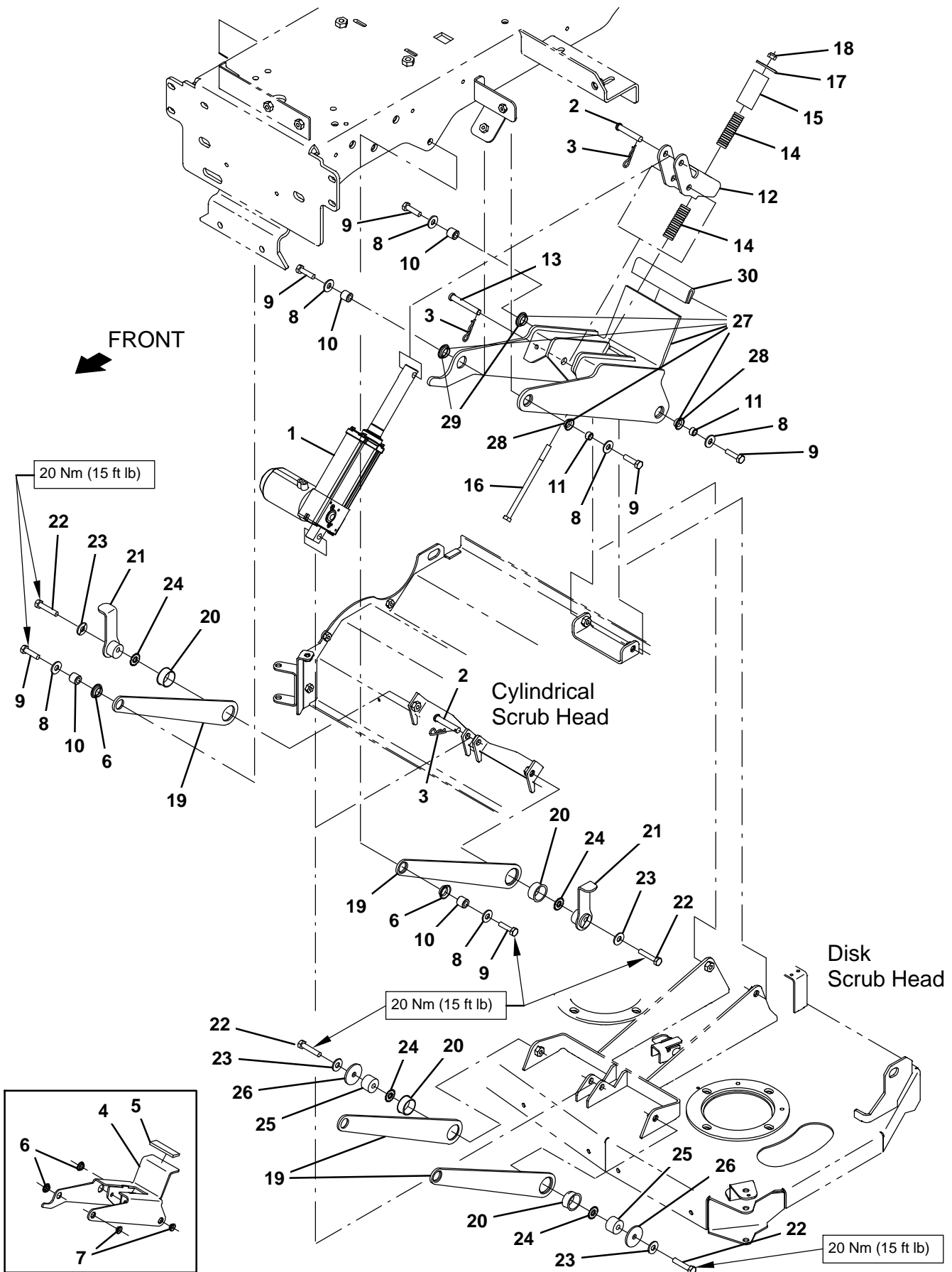


**Fig. 10 – Front Cover and Directional Pedal Group**

| Ref. | Part No. | Serial Number        | Description  | Qty. |
|------|----------|----------------------|--|------|
| 1    | 1200146  | (10000000–19999999 ) | Channel Wldt, Steering, Pntd                         | 1    |
| 2    | 1200253  | (10000000–19999999 ) | Pedal Assy, Accelerator, Brake (See Breakdowns)      | 1    |
| 3    | 1020341  | (10000000–19999999 ) | Screw, Hex, M8 X 1.25 X 20, Ss, Sems                 | 5    |
| 4    | 9010930  | (10000000–19999999 ) | Panel, Access, Front, Afmkt [T12]                    | 1    |
| 4    | 9011168  | (10000000–19999999 ) | Panel, Access, Front, Afmkt [Jp]                     | 1    |
| 5    | 19676    | (10000000–19999999 ) | Cable, Glv .09d 013.0l .38eye /.38eye                | 1    |
| 6    | 398806   | (10000000–19999999 ) | Latch  | 1    |
| 7    | 9010928  | (10000000–19999999 ) | Shroud, Front, Afmkt [T12]                           | 1    |
| 8    | 15675    | (10000000–19999999 ) | Screw, Hex, M8 X 1.25 X 16, Ss                       | 5    |
| 9    | 32491    | (10000000–19999999 ) | Washer, Flat, 0.31, Std                              | 5    |
| 10   | 1202868  | (10000000–19999999 ) | Clip, Tie, 0.25d, Plstc                              | 7    |
| 11   | 1202308  | (10000000–19999999 ) | Controller, 36vdc, 200a [Ac Propel]                  | 1    |
| 12   | 24265    | (10000000–19999999 ) | Screw, Pan, Phl, M4 X 0.70 X 16, Ss                  | 4    |
| 13   | 01683    | (10000000–19999999 ) | Washer, Flat, 10, Ss                                 | 4    |
| 14   | 130773   | (10000000–19999999 ) | Tie, Cable, Nyl, 11.0l, .14w, 3.0 Max. D             | 7    |
| 15   | 1201212  | (10000000–19999999 ) | Bracket, Ele, Cb [T12]                               | 1    |
| 16   | 1201864  | (10000000–19999999 ) | Label, Circuitbreaker                                | 1    |
| 17   | 1052726  | (10000000–19999999 ) | Alarm, 9–48vdc, 95 Db(A) [Ec–H20]                    | 1    |
| 18   | 1052120  | (10000000–19999999 ) | Inductor, 25Mmid [218 Imp At 25Mhz] (Australia Only) | 1    |
| 19   | 1052123  | (10000000–19999999 ) | Inductor, 18Mmid [156 Imp At 25Mhz] (Australia Only) | 1    |
| 20   | 39283    | (10000000–19999999 ) | Screw, Hex, M10x 1.50 x 25, 8.8                      |      |
| 21   | 32492    | (10000000–19999999 ) | Washer, Flat, 0.38, Std                              |      |

**STANDARD PARTS**

**Fig. 11 - Scrub Head Lift Group**

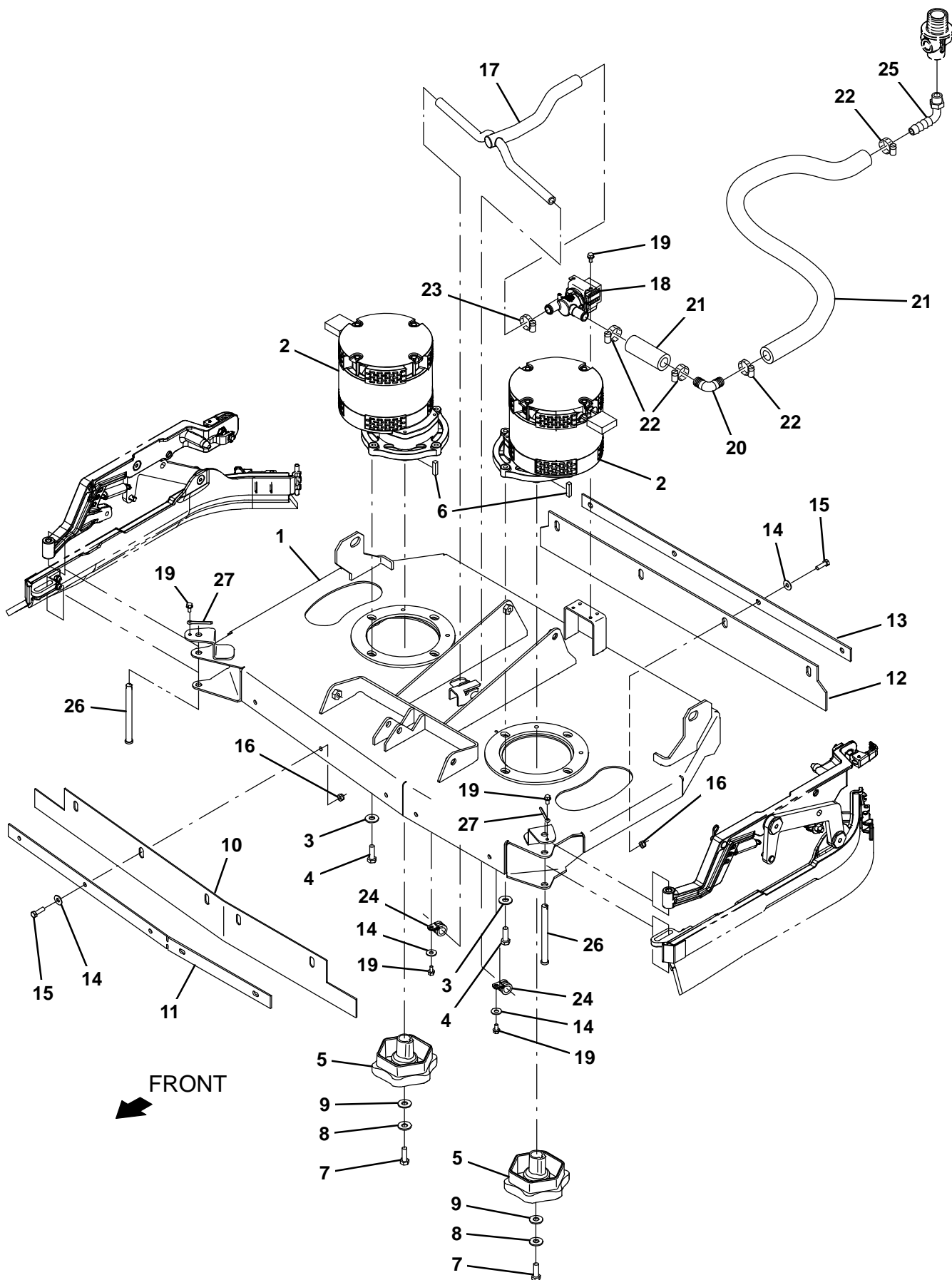


**Fig. 11 – Scrub Head Lift Group**

| Ref. | Part No. | Serial Number        | Description                            | Qty.                                      |   |
|------|----------|----------------------|--|---|---|
| 1    | 1200774  | (10000000-19999999 ) | Actuator, 36vdc, 3.9strk, 450lb        | 1   |   |
| 2    | 29584    | (10000000-19999999 ) | Pin, Clevis, 0.37d X 2.00l             | 2   |   |
| 3    | 44906    | (10000000-19999999 ) | Pin, Cotter, Hair, 0.38d .093 Wir      | 3   |   |
| 4    | 1200735  | (10000000-10728113 ) | Arm Wldt, Pivot (Replced by 9013613)   | 1   |   |
| 5    | 1200440  | (10000000-10728113 ) | Pad, Stop, Rbr (Replced by 9013613)    | 1   |   |
| 6    | 04843    | (10000000-10728113 ) | Bushing, FIng, 0.63b 0.72d 0.25l       | 4   |   |
| 7    | 1054662  | (10000000-10728113 ) | Bushing, FIng, 0.50b 0.59d 0.25l       | 2   |   |
| 8    | 01685    | (10000000-19999999 ) | Washer, Flat, 0.38b 0.88d .08, Ss      | 6   |   |
| 9    | 09011    | (10000000-19999999 ) | Screw, Hex, M8 X 1.25 X 30, Ss         | 6   |   |
| 10   | 80409    | (10000000-19999999 ) | Sleeve, P/M, 0.34b 0.63d 0.6l, Bnz     | 4   |   |
| 11   | 222516   | (10000000-19999999 ) | Sleeve, P/M, 0.32b 0.50d 0.3l [430ss]  | 2   |   |
| 12   | 1200764  | (10000000-19999999 ) | Bracket, Pivot, Spring                 | 1   |   |
| 13   | 365180   | (10000000-19999999 ) | Pin, Clevis, 0.38d X 2.50l             | 1   |   |
| 14   | 1203336  | (10000000-19999999 ) | Spring, Cmpr, .73od 2.5l               | 2   |   |
| 15   | 1204185  | (10000000-19999999 ) | Tube, Bumper                           | 1   |   |
| 16   | 1201996  | (10000000-19999999 ) | Screw, Hex, M8 X 1.25 X 140, Ss        | 1   |   |
| 17   | 379829   | (10000000-19999999 ) | Washer, Flat, 0.34b 1.50d .12, Stl, Pl | 1   |   |
| 18   | 08713    | (10000000-19999999 ) | Nut, Hex, Lock, M8 X 1.25, NI, Ss      | 1   |   |
| 19   | 1201033  | (10000000-19999999 ) | Link, Head Scb                         | 2   |   |
| 20   | 367313   | (10000000-19999999 ) | Bushing, FIng, 1.00b 1.13d 0.50l       | 2   |   |
| 21   | 1201080  | (10000000-19999999 ) | Pivot Wldt                             | 2   |   |
| 22   | 09026    | (10000000-19999999 ) | Screw, Hex, M8 X 1.25 X 40, Ss         | 2   |   |
| 23   | 01685    | (10000000-19999999 ) | Washer, Flat, 0.38b 0.88d .08, Ss      | 2   |   |
| 24   | 41141    | (10000000-19999999 ) | Washer, Lock, Int-Ext, 0.31            | 2   |   |
| 25   | 1201354  | (10000000-19999999 ) | Pivot, Lift                            | 2   |   |
| 26   | 379829   | (10000000-19999999 ) | Washer, Flat, 0.34b 1.50d .12, Stl, Pl | 2   |   |
| ▽    | 27       | 9013613              | (10728114-19999999 )                   | Arm Kit, Lift, Scb [T12]                  | 1 |
| ▲    | 28       | 1054662              | (10728114-19999999 )                   | Bushing, FIng, 0.50B 0.59D 0.25L          | 2 |
| ▲    | 29       | 04843                | (10728114-19999999 )                   | Bushing, FIng, 0.63B 0.72D 0.25L          | 2 |
| ▲    | 30       | 1020168              | (10728114-19999999 )                   | Molding, Afmkt, Trim , Pvc, .08 .11, 01Ft | 1 |

# STANDARD PARTS

Fig. 12 – Scrub Head and Drive Motor Group, Disk

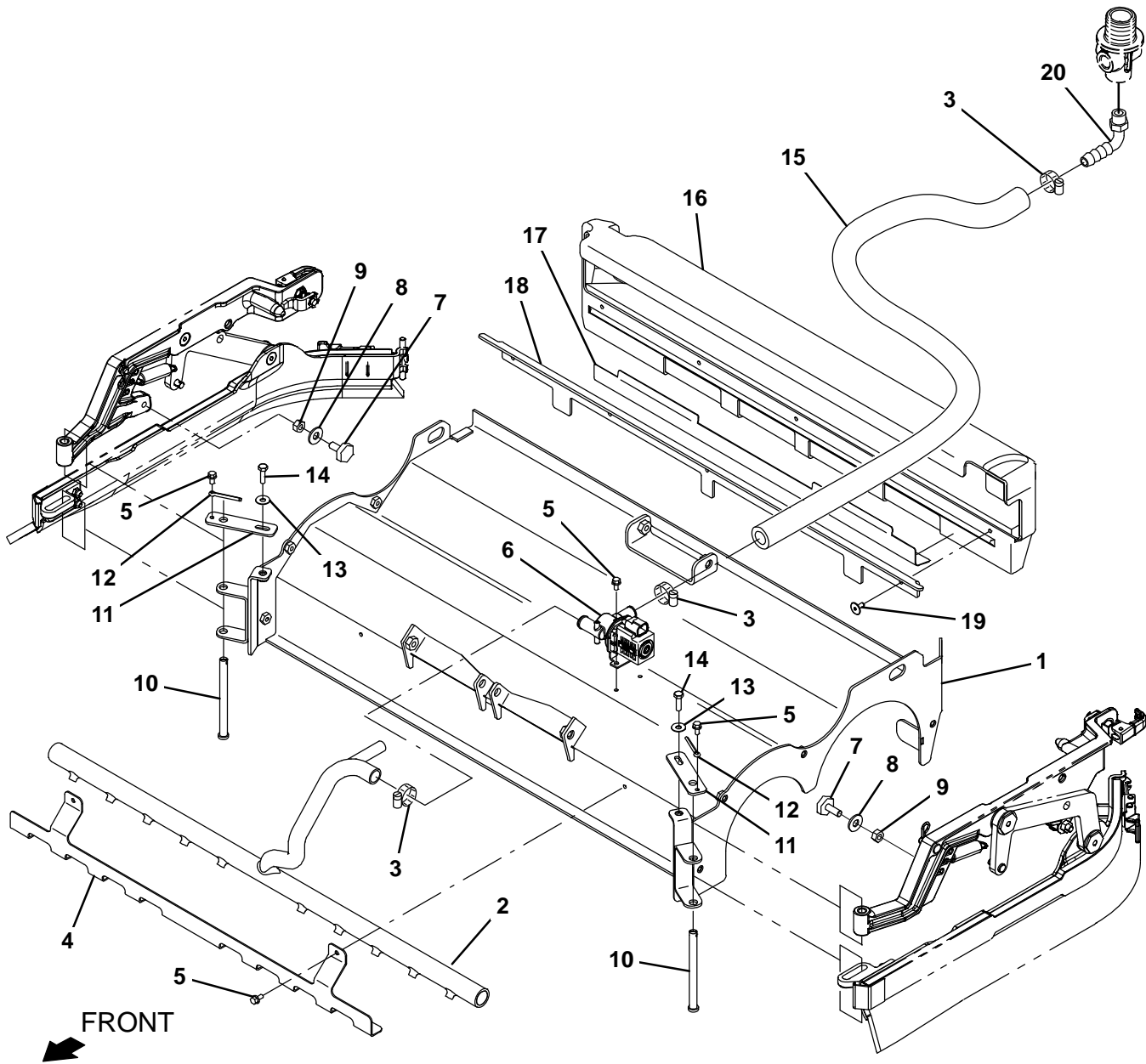


**Fig. 12 – Scrub Head and Drive Motor Group, Disk**

| Ref. | Part No. | Serial Number | Description   | Qty. |
|------|----------|---------------|---|------|
|      | 1        | 1202430       | (10000000–19999999 ) Head Wldt, Scrbr, Disc                   | 1    |
| ▽    | 2        | 1200168       | (10000000–19999999 ) Motor, Ele, 36vdc 0315rpm                | 2    |
| ▲    |          | 9009577       | (10000000–19999999 ) Brush Kit, Motor                         | 2    |
|      | 3        | 01685         | (10000000–19999999 ) Washer, Flat, 0.38b 0.88d .08, Ss        | 8    |
|      | 4        | 09011         | (10000000–19999999 ) Screw, Hex, M8 X 1.25 X 30, Ss           | 8    |
|      | 5        | 377364        | (10000000–19999999 ) Hub, Drive, Brush, Disk, 0.75b [6t]      | 2    |
|      | 6        | 00928         | (10000000–19999999 ) Key, Sq, 0.25 X 0.25, 1.00l              | 2    |
|      | 7        | 09010         | (10000000–19999999 ) Screw, Hex, M8 X 1.25 X 25, Ss           | 2    |
|      | 8        | 01685         | (10000000–19999999 ) Washer, Flat, 0.38b 0.88d .08, Ss        | 2    |
|      | 9        | 41186         | (10000000–19999999 ) Washer, Flat, Belleville, .31            | 2    |
|      | 10       | 1201053       | (10000000–19999999 ) Skirt, Rbr, Front, Disc                  | 1    |
|      | 11       | 1201190       | (10000000–19999999 ) Strip, Retainer, Front                   | 1    |
|      | 12       | 1201127       | (10000000–19999999 ) Skirt, Rbr, Rear, Disc                   | 1    |
|      | 13       | 1201185       | (10000000–19999999 ) Strip, Skirt, Rear, Disc                 | 1    |
|      | 14       | 01684         | (10000000–19999999 ) Washer, Flat, 0.27b 0.69d .05, Ss        | 11   |
|      | 15       | 09007         | (10000000–19999999 ) Screw, Hex, M6 X 1.00 X 25, Ss           | 9    |
|      | 16       | 08708         | (10000000–19999999 ) Nut, Hex, Lock, M6 X 1.00, NI            | 9    |
|      | 17       | 1201215       | (10000000–19999999 ) Tube, Distribution, Disc                 | 1    |
|      | 18       | 1054795       | (10000000–19999999 ) Valve, Water, Solenoid, 36vdc Bm12/Bm12  | 1    |
|      | 19       | 223198        | (10000000–19999999 ) Screw, Hex, M5 X 0.80 X 10, Fmg          | 6    |
|      | 20       | 391365        | (10000000–19999999 ) Fitting, Plstc, E90, Bm10/Bm10           | 1    |
|      | 21       | 1015026       | (10000000–19999999 ) Hose, Afmkt, Pvc, Brd, 0.62id, 03ft, Clr | 1    |
|      | 22       | 63810         | (10000000–19999999 ) Clamp, Hose, Wormdrive, 0.56–1.06d, .56w | 4    |
|      | 23       | 54333         | (10000000–19999999 ) Clamp, Hose, Wormdrive, 0.31–0.88d, .31w | 1    |
|      | 24       | 1016354       | (10000000–19999999 ) Clamp, Cable, Ss, 0.50d X 0.50w [Insul]  | 2    |
|      | 25       | 630371        | (10000000–19999999 ) Fitting, Plstc, E90, Bm10/Pm08           | 1    |
|      | 26       | 1205975       | (10000000–19999999 ) Pin, Clevis, 0.37d X 5.00l               | 2    |
|      | 27       | 08236         | (10000000–19999999 ) Pin, Cotter, .156 X 1.25                 | 2    |

# STANDARD PARTS

Fig. 13 – Scrub Head Frame Group, Cylindrical



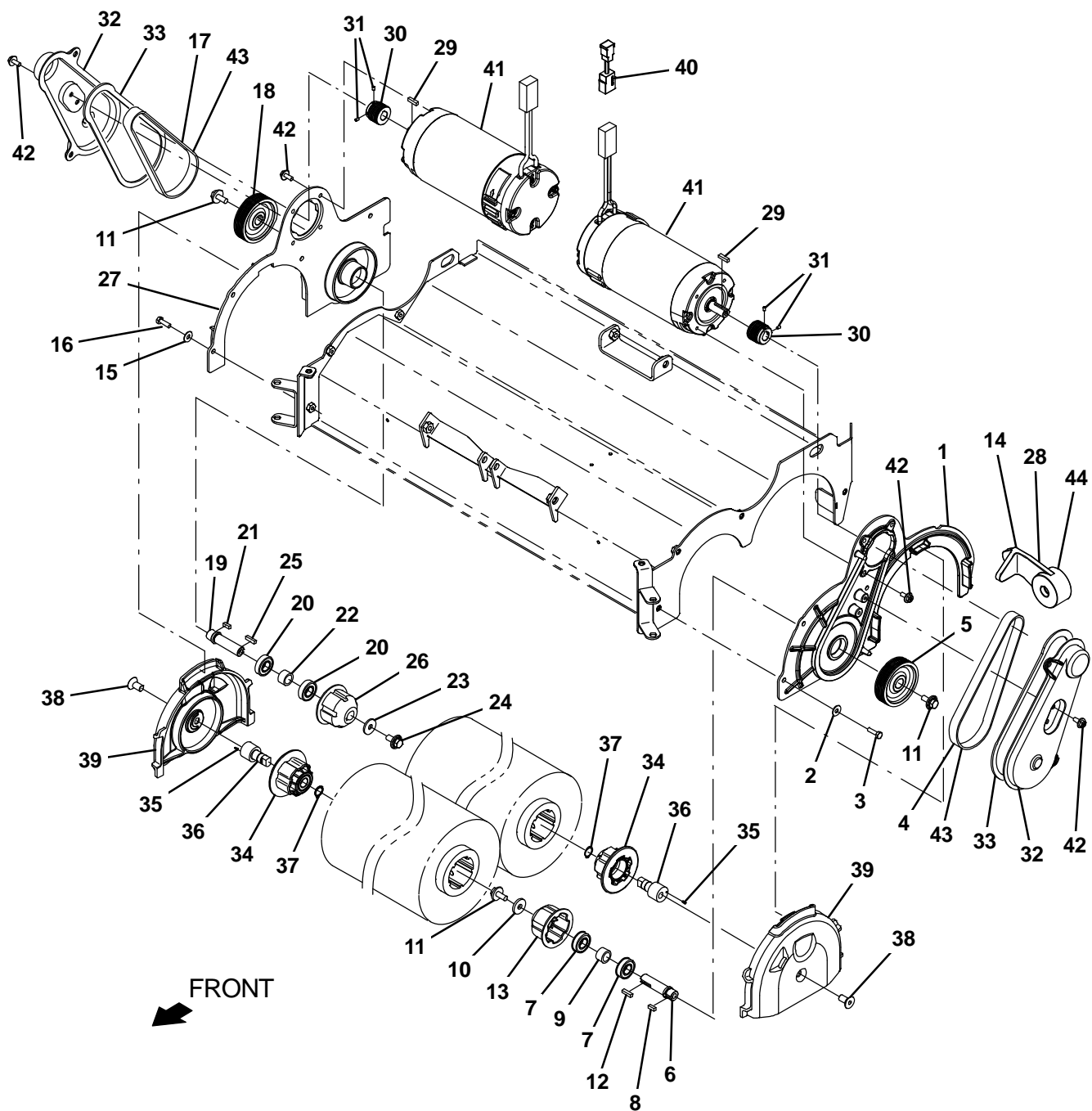


**Fig. 13 – Scrub Head Frame Group, Cylindrical**

| Ref. | Part No. | Serial Number        | Description                              | Qty.                                   |   |
|------|----------|----------------------|--|--|---|
| 1    | 1200292  | (10000000–19999999 ) | Head Wldt, Scb, Cyl                      | 1                                      |   |
| 2    | 1200012  | (10000000–19999999 ) | Tube, Distribution, T12                  | 1                                      |   |
| 3    | 63810    | (10000000–19999999 ) | Clamp, Hose, Wormdrive, 0.56–1.06d, .56w | 3                                      |   |
| 4    | 1201447  | (10000000–19999999 ) | Bracket, Scrbr, Watertube                | 1                                      |   |
| 5    | 223198   | (10000000–19999999 ) | Screw, Hex, M5 X 0.80 X 10, Fmg          | 6                                      |   |
| 6    | 1054795  | (10000000–19999999 ) | Valve, Water, Solenoid, 36vdc Bm12/Bm12  | 1                                      |   |
| 7    | 1204335  | (10000000–19999999 ) | Bumper, Rbr, 1.0 Hex                     | 2                                      |   |
| 8    | 01685    | (10000000–19999999 ) | Washer, Flat, 0.38b 0.88d .08, Ss        | 2                                      |   |
| 9    | 07786    | (10000000–19999999 ) | Nut, Hex, Std, M8 X 1                    | 2                                      |   |
| 10   | 1205975  | (10000000–19999999 ) | Pin, Clevis, 0.37d X 5.00l               | 2                                      |   |
| 11   | 1202301  | (10000000–19999999 ) | Bracket, Retainer, Pin                   | 2                                      |   |
| 12   | 08236    | (10000000–19999999 ) | Pin, Cotter, .156 X 1.25                 | 2                                      |   |
| 13   | 01684    | (10000000–19999999 ) | Washer, Flat, 0.27b 0.69d .05, Ss        | 2                                      |   |
| 14   | 08716    | (10000000–19999999 ) | Screw, Hex, M6 X 1.00 X 20, Ss           | 2                                      |   |
| 15   | 1015026  | (10000000–19999999 ) | Hose, Afmkt, Pvc, Brd, 0.62id, 03ft, Clr | 1                                      |   |
| ▽    | 16       | 9010927              | (10000000–19999999 )                     | Debris Tray, Cyl, Afmkt [T12]          | 1 |
| ▲    | 17       | 1201574              | (10000000–19999999 )                     | Angle, Stl, Perforated .03 1.4 1.4 22l | 1 |
| ▲    | 18       | 1201126              | (10000000–19999999 )                     | Lip, Tray, Debris                      | 1 |
| ▲    | 19       | 32548                | (10000000–19999999 )                     | Rivet, Blind, .188d X 0.45 X .62d, Alm | 5 |
|      | 20       | 630371               | (10000000–19999999 )                     | Fitting, Plstc, E90, Bm10/Pm08         | 1 |

# STANDARD PARTS

Fig. 14 - Scrub Head Drive Motor Group, Cylindrical

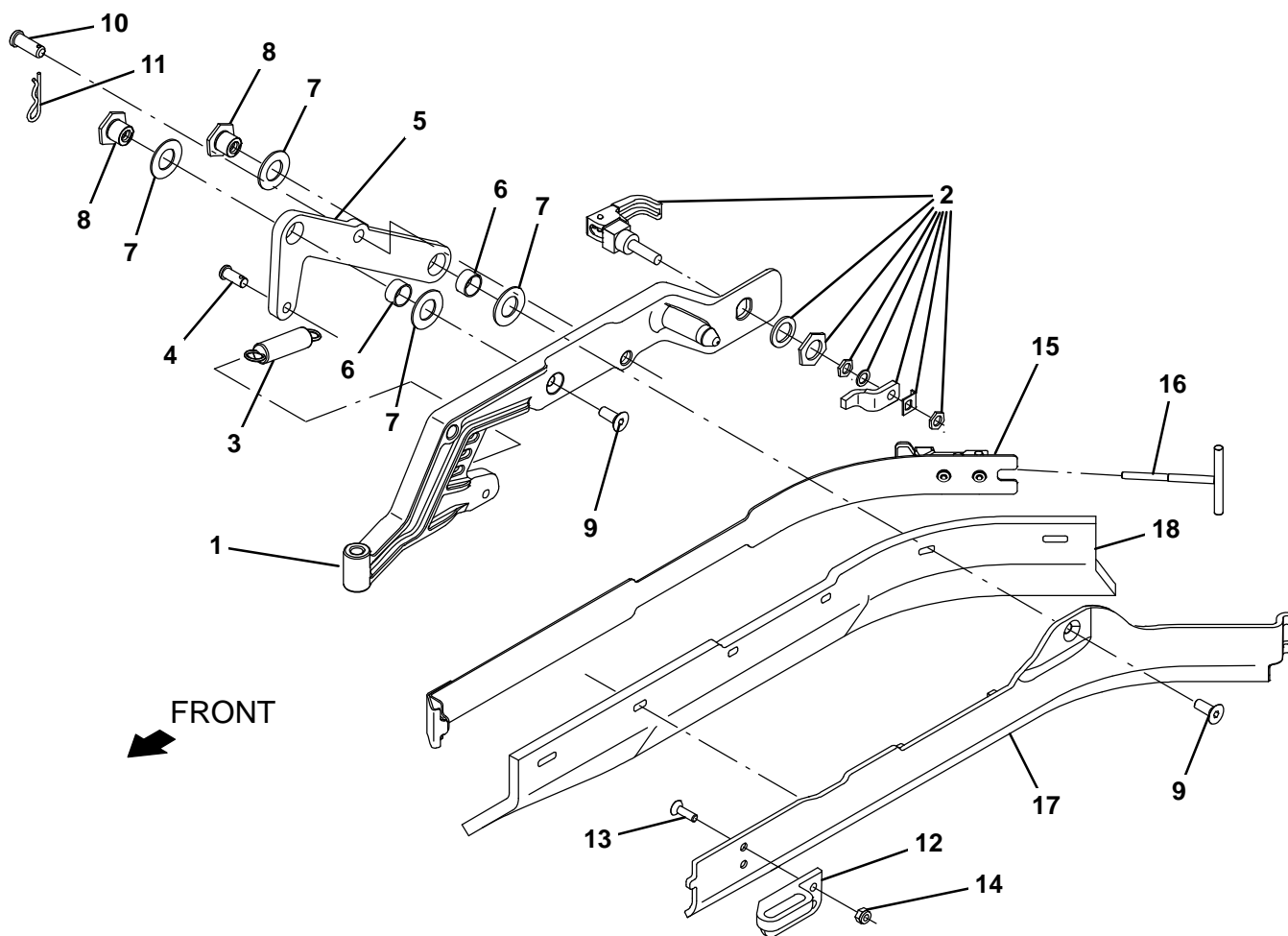


**Fig. 14 - Scrub Head Drive Motor Group, Cylindrical**

| Ref. | Part No.   | Serial Number         | Description   | Qty. |
|------|------------|-----------------------|---|------|
| ▽    | 9010939    | (10000000- 19999999 ) | Side Panel Assy, Cyl, Lh, Afmkt [T12]                     | 1    |
| ▲    | 1 1200900  | (10000000- 19999999 ) | Plate, Side, Scrubhead, Lh                                | 1    |
| ▲    | 2 01684    | (10000000- 19999999 ) | Washer, Flat, 0.27b 0.69d .05, Ss                         | 4    |
| ▲    | 3 08716    | (10000000- 19999999 ) | Screw, Hex, M6 X 1.00 X 20, Ss                            | 4    |
| ▲    | 4 1200334  | (10000000- 19999999 ) | Belt, Drive   | 1    |
| ▲    | 5 1200215  | (10000000- 19999999 ) | Sheave, 07grv, 2.96pd 0.63b [Pj]                          | 1    |
| ▲    | 6 1200281  | (10000000- 19999999 ) | Shaft, Drive  | 1    |
| ▲    | 7 41360    | (10000000- 19999999 ) | Bearing, Ball, 0.59b 1.26d 0.35w[2seal]                   | 2    |
| ▲    | 8 00961    | (10000000- 19999999 ) | Key, Sq, 0.19 X 0.19, 0.50l                               | 1    |
| ▲    | 9 1002077  | (10000000- 19999999 ) | Tube, 0.59id 0.81od 00.5l                                 | 1    |
| ▲    | 10 41186   | (10000000- 19999999 ) | Washer, Flat, Belleville, .31                             | 1    |
| ▲    | 11 1020341 | (10000000- 19999999 ) | Screw, Hex, M8 X 1.25 X 20, Ss, Sems                      | 2    |
| ▲    | 12 00911   | (10000000- 19999999 ) | Key, Sq, 0.19 X 0.19, 0.75l                               | 1    |
| ▲    | 13 378805  | (10000000- 19999999 ) | Plug, Drive, Brush, Mach                                  | 1    |
| ▲    | 14 1203758 | (10000000- 19999999 ) | Tool, Installation, Belt                                  | 1    |
| ▽    | 9010940    | (10000000- 19999999 ) | Side Panel Assy, Cyl, Rh, Afmkt [T12]                     | 1    |
| ▲    | 15 01684   | (10000000- 19999999 ) | Washer, Flat, 0.27b 0.69d .05, Ss                         | 4    |
| ▲    | 16 08716   | (10000000- 19999999 ) | Screw, Hex, M6 X 1.00 X 20, Ss                            | 4    |
| ▲    | 17 1200334 | (10000000- 19999999 ) | Belt, Drive   | 1    |
| ▲    | 18 1200215 | (10000000- 19999999 ) | Sheave, 07grv, 2.96pd 0.63b [Pj]                          | 1    |
| ▲    | 19 1200281 | (10000000- 19999999 ) | Shaft, Drive  | 1    |
| ▲    | 20 41360   | (10000000- 19999999 ) | Bearing, Ball, 0.59b 1.26d 0.35w[2seal]                   | 2    |
| ▲    | 21 00961   | (10000000- 19999999 ) | Key, Sq, 0.19 X 0.19, 0.50l                               | 1    |
| ▲    | 22 1002077 | (10000000- 19999999 ) | Tube, 0.59id 0.81od 00.5l                                 | 1    |
| ▲    | 23 41186   | (10000000- 19999999 ) | Washer, Flat, Belleville, .31                             | 1    |
| ▲    | 24 1020341 | (10000000- 19999999 ) | Screw, Hex, M8 X 1.25 X 20, Ss, Sems                      | 2    |
| ▲    | 25 00911   | (10000000- 19999999 ) | Key, Sq, 0.19 X 0.19, 0.75l                               | 1    |
| ▲    | 26 378805  | (10000000- 19999999 ) | Plug, Drive, Brush, Mach                                  | 1    |
| ▲    | 27 1200898 | (10000000- 19999999 ) | Plate, Side, Scrubhead, Rh                                | 1    |
| ▲    | 28 1203758 | (10000000- 19999999 ) | Tool, Installation, Belt                                  | 1    |
|      | 29 1014328 | (10000000- 19999999 ) | Key, Sq, 05mm X 05mm, 25mml                               | 2    |
|      | 30 1054581 | (10000000- 19999999 ) | Sheave, 07grv, 1.22pd 0.55b [Pj]                          | 2    |
|      | 31 222818  | (10000000- 19999999 ) | Screw, Set, Soc, 08- 32 X 0.25, NI                        | 4    |
|      | 32 1200283 | (10000000- 19999999 ) | Cover, Belt   | 2    |
| ▽    | 222752     | (10000000- 19999999 ) | Plug Assy, Idler, Brush                                   | 2    |
| ▲    | 33 1201341 | (10000000- 19999999 ) | Gasket, Cover, Belt                                       | 1    |
| ▲    | 34 1057629 | (10000000- 19999999 ) | Plug, Idler, Brush [Sgl Brg]                              | 1    |
| ▲    | 35 222184  | (10000000- 19999999 ) | Pin, Roll, .094d X 0.25l, .094/.097                       | 1    |
| ▲    | 36 222177  | (10000000- 19999999 ) | Shaft, Plug, Idler  | 1    |
| ▲    | 37 01516   | (10000000- 19999999 ) | Ring, Retaining, Ext, 0.59d, Basic                        | 1    |
|      | 38 390996  | (10000000- 19999999 ) | Screw, Flt, Soc, M10 X 1.50 X 20,10.9,NI                  | 2    |
|      | 39 1200309 | (10000000- 19999999 ) | Door, Brush   | 2    |
|      | 40 1059170 | (10000000- 19999999 ) | Harness, Wire, Adapter [Deutsch, Dtp]                     | 1    |
|      | 41 1053342 | (10000000- 19999999 ) | Motor, Ele, 36vdc 1750rpm 1.00hp 22.0a<br>(See Breakdown) | 2    |
|      | 42 1034731 | (10000000- 19999999 ) | Screw, Hex, M6 X 1.00 X 16, Ss, Sems                      | 12   |
| ▽    | 9010935    | (10000000- 19999999 ) | Belt, Cyl Head, W/Too;l, Afmkt                            | 1    |
| ▲    | 43 1200334 | (10000000- 19999999 ) | Belt, Drive   | 2    |
| ▲    | 44 1203758 | (10000000- 19999999 ) | Tool, Installation, Belt                                  | 1    |

## STANDARD PARTS

Fig. 15 – Scrub Head Side Squeegee Group, Right Hand

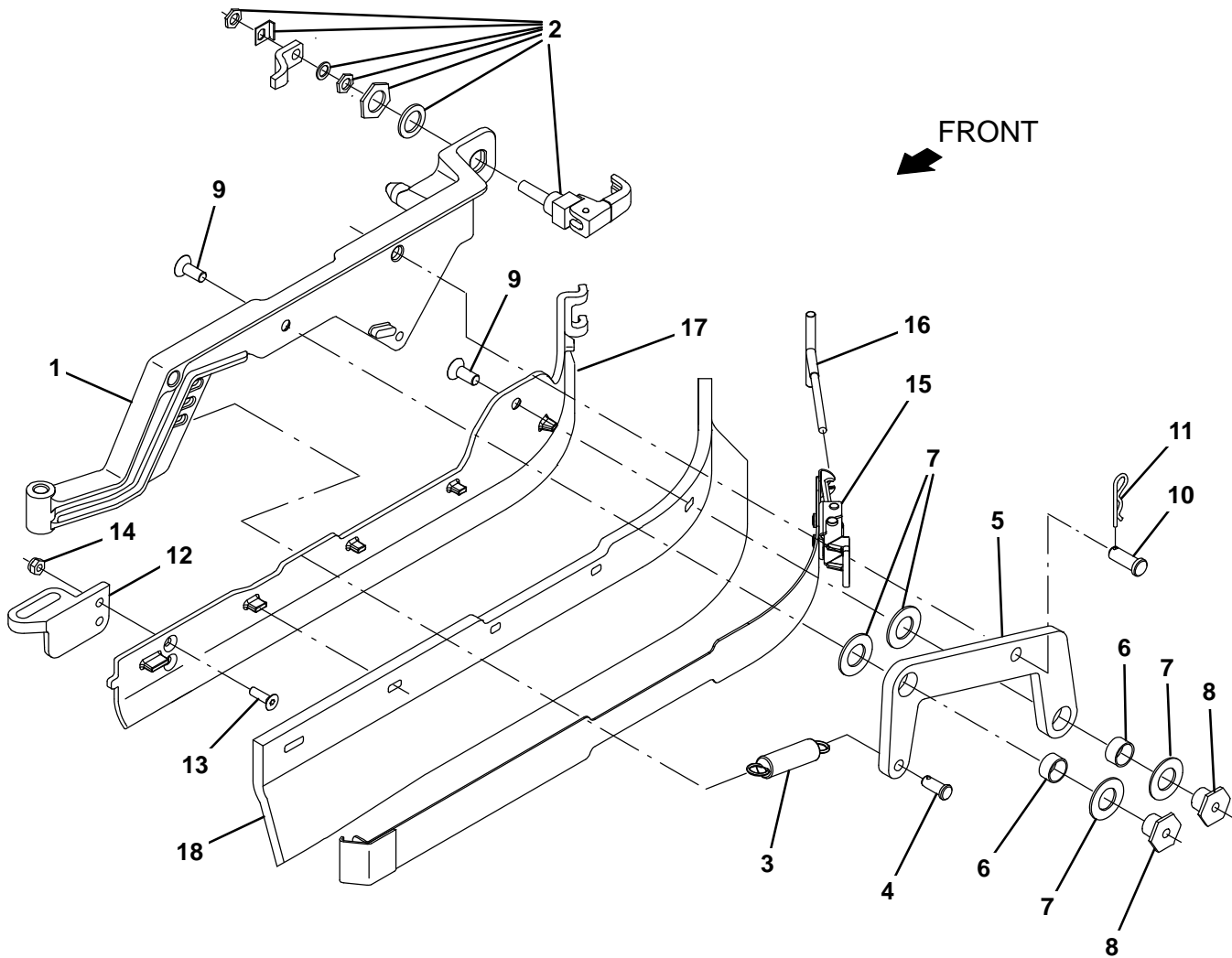


**Fig. 15 – Scrub Head Side Squeegee Group, Right Hand**

| Ref. | Part No. | Serial Number        | Description                                   | Qty. |
|------|----------|----------------------|---|------|
| 1    | 1202243  | (10000000-19999999 ) | Door, Casting, Squeegee, Rh                   | 1    |
| 2    | 1065134  | (10000000-19999999 ) | Latch, Cmpr, Yel Grip                         | 1    |
| 3    | 363469   | (10000000-19999999 ) | Spring, Extn, 0.75od 0.10wir 03.0l            | 1    |
| 4    | 10120    | (10000000-19999999 ) | Clevis, 0.31d X 0.75l                         | 1    |
| 5    | 1202100  | (10000000-19999999 ) | Bellcrank, Lift, Sqge [T12]                   | 1    |
| 6    | 71607    | (10000000-19999999 ) | Bushing, Sleeve, 0.63b 0.72d 0.38l            | 2    |
| 7    | 64425    | (10000000-19999999 ) | Washer, Thrust, 0.61b 1.25d .06, Fgl          | 4    |
| 8    | 1200525  | (10000000-19999999 ) | Nut, T, M8 X 1.25                             | 2    |
| 9    | 79246    | (10000000-19999999 ) | Screw, Flt, Soc, M8 X 1.25 X 20, 18-8,Ss      | 2    |
| 10   | 09088    | (10000000-19999999 ) | Pin, Clevis, 0.37d X 1.00l                    | 1    |
| 11   | 44906    | (10000000-19999999 ) | Pin, Cotter, Hair, 0.38d .093 Wir             | 1    |
| 12   | 1201455  | (10000000-19999999 ) | Block, Sqge, Guide, Rh                        | 1    |
| 13   | 1016421  | (10000000-19999999 ) | Screw, Flt, M6 X 1.0 X 20, Ss                 | 2    |
| 14   | 08708    | (10000000-19999999 ) | Nut, Hex, Lock, M6 X 1.00, NI                 | 2    |
| 15   | 1201453  | (10000000-19999999 ) | Strap Wldt, Sqge                              | 1    |
| 16   | 1054312  | (10000000-19999999 ) | Hook Wldt, Latch                              | 1    |
| 17   | 1200221  | (10000000-19999999 ) | Frame, Sqge, Side, Rh                         | 1    |
| 18   | 1200430  | (10000000-19999999 ) | Blade, Sqge, Side, 22.50l, Linatex (Standard) | 1    |
| 18   | 1202159  | (10000000-19999999 ) | Blade, Sqge, Side, 22.50l, Urethane (Option)  | 1    |
| 18   | 1202160  | (10000000-19999999 ) | Blade, Sqge, Side, 22.50l, Gum (Option)       | 1    |

## STANDARD PARTS

Fig. 16 - Scrub Head Side Squeegee Group, Left Hand

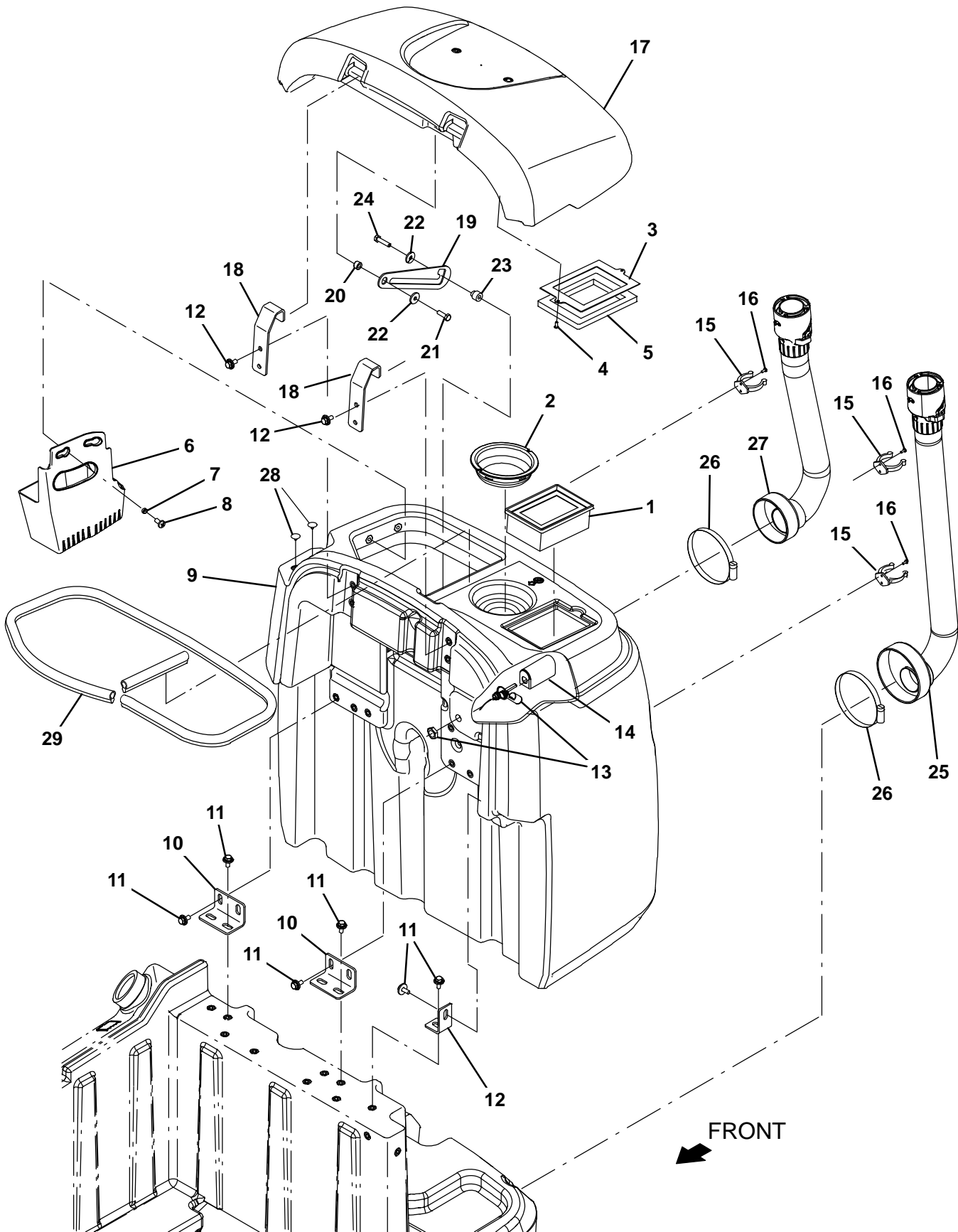


**Fig. 16 – Scrub Head Side Squeegee Group, Left Hand**

| Ref. | Part No. | Serial Number        | Description                                   | Qty. |
|------|----------|----------------------|---|------|
| 1    | 1202221  | (10000000–19999999 ) | Door, Casting, Squeegee, Lh                   | 1    |
| 2    | 1065134  | (10000000–19999999 ) | Latch, Cmpr, Yel Grip                         | 1    |
| 3    | 363469   | (10000000–19999999 ) | Spring, Extn, 0.75od 0.10wir 03.0l            | 1    |
| 4    | 10120    | (10000000–19999999 ) | Clevis, 0.31d X 0.75l                         | 1    |
| 5    | 1200213  | (10000000–19999999 ) | Bellcrank, Lift, Sqge [T12]                   | 1    |
| 6    | 71607    | (10000000–19999999 ) | Bushing, Sleeve, 0.63b 0.72d 0.38l            | 2    |
| 7    | 64425    | (10000000–19999999 ) | Washer, Thrust, 0.61b 1.25d .06, Fgl          | 4    |
| 8    | 1200525  | (10000000–19999999 ) | Nut, T, M8 X 1.25                             | 2    |
| 9    | 79246    | (10000000–19999999 ) | Screw, Flt, Soc, M8 X 1.25 X 20, 18–8,Ss      | 2    |
| 10   | 09088    | (10000000–19999999 ) | Pin, Clevis, 0.37d X 1.00l                    | 1    |
| 11   | 44906    | (10000000–19999999 ) | Pin, Cotter, Hair, 0.38d .093 Wir             | 1    |
| 12   | 1200689  | (10000000–19999999 ) | Block, Guide, Sqge                            | 1    |
| 13   | 1016421  | (10000000–19999999 ) | Screw, Flt, M6 X 1.0 X 20, Ss                 | 2    |
| 14   | 08708    | (10000000–19999999 ) | Nut, Hex, Lock, M6 X 1.00, NI                 | 2    |
| 15   | 1201453  | (10000000–19999999 ) | Strap Wldt, Sqge                              | 1    |
| 16   | 1054312  | (10000000–19999999 ) | Hook Wldt, Latch                              | 1    |
| 17   | 1200011  | (10000000–19999999 ) | Frame, Sqge, Side, Lh                         | 1    |
| 18   | 1200430  | (10000000–19999999 ) | Blade, Sqge, Side, 22.50l, Linatex (Standard) | 1    |
| 18   | 1202159  | (10000000–19999999 ) | Blade, Sqge, Side, 22.50l, Urethane (Option)  | 1    |
| 18   | 1202160  | (10000000–19999999 ) | Blade, Sqge, Side, 22.50l, Gum (Option)       | 1    |

# STANDARD PARTS

Fig. 17 - Recovery Tank Group



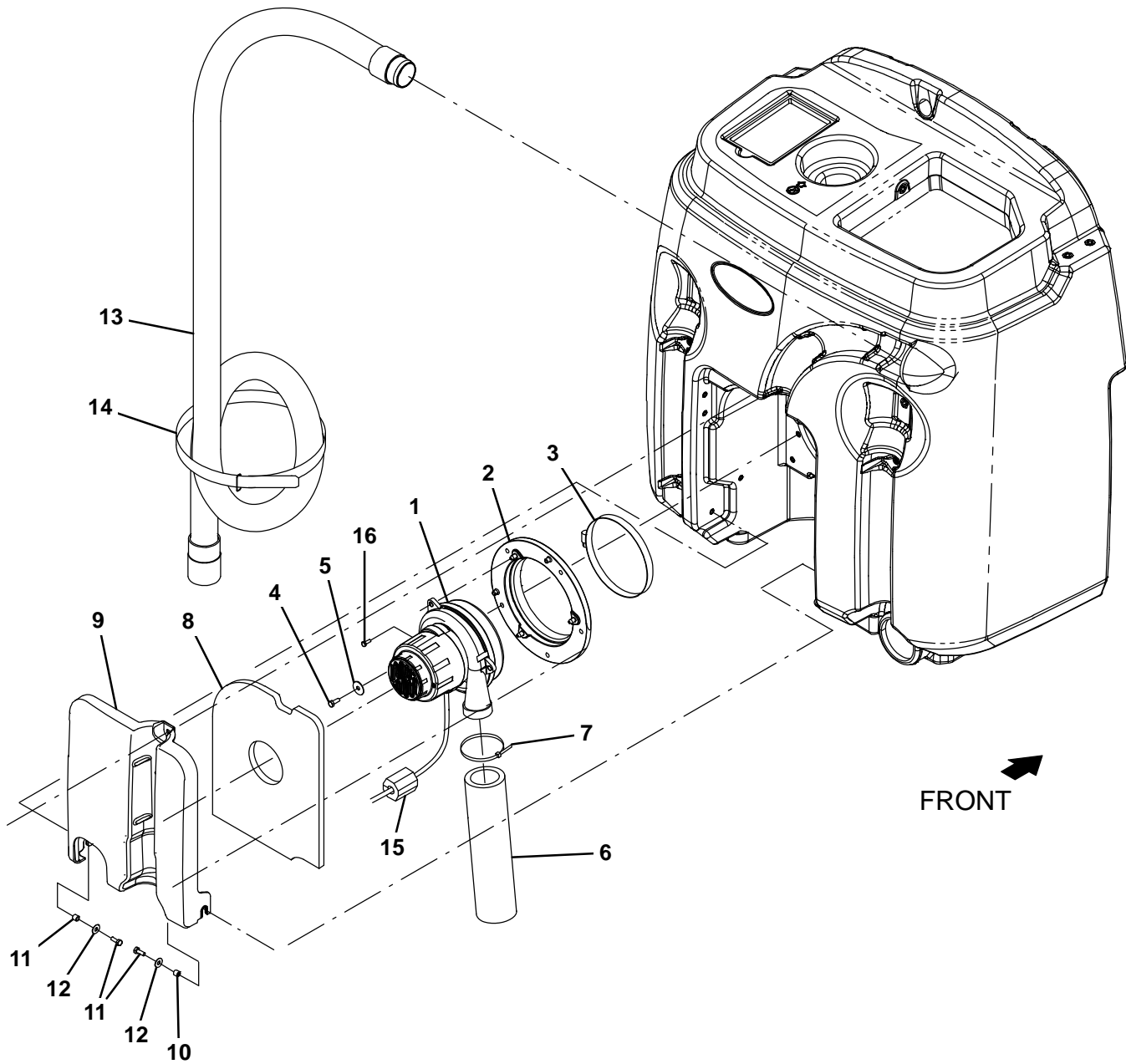


**Fig. 17 – Recovery Tank Group**

| Ref. | Part No. | Serial Number        | Description  | Qty. |
|------|----------|----------------------|--|------|
| 1    | 1037821  | (10000000–19999999 ) | Filter, Panl, Dust, 2.3 X 04.5 X 06.4                  | 1    |
| 2    | 1026014  | (10000000–19999999 ) | Screen, Vacuum   | 1    |
| 3    | 1201157  | (10000000–19999999 ) | Plate, Mtg, Gasket                                     | 1    |
| 4    | 140825   | (10000000–19999999 ) | Screw, Pan, Phl, 06 X 0.50, Fmg/Ab, Blk                | 2    |
| 5    | 1016392  | (10000000–19999999 ) | Gasket, Ure, .50, 03.74w 05.31l, Adh                   | 1    |
| 6    | 1201340  | (10000000–19999999 ) | Tray, Debris   | 1    |
| 7    | 1066720  | (10000000–19999999 ) | Sleeve, P/M, 0.32b 0.44d 0.2l [430ss]                  | 2    |
| 8    | 09737    | (10000000–19999999 ) | Screw, Pan, Phl, M8 X 1.25 X 20, 4.8                   | 2    |
| 9    | 9010920  | (10000000–19999999 ) | Recovery Tank, Afmkt [T12]                             | 1    |
| 9    | 9011173  | (10000000–19999999 ) | Recovery Tank, Afmkt, Jp [T12]                         | 1    |
| 10   | 1200458  | (10000000–19999999 ) | Bracket, Mtg, Tank                                     | 3    |
| 11   | 1020341  | (10000000–19999999 ) | Screw, Hex, M8 X 1.25 X 20, Ss, Sems                   | 18   |
| 12   | 1054823  | (10000000–19999999 ) | Angle, Mtg, Tank                                       | 1    |
| 13   | 385685   | (10000000–19999999 ) | Sensor, Level, Liq, 14vdc 01a .62–11                   | 1    |
| 14   | 1019285  | (10000000–19999999 ) | Bracket, Protector, Float Switch                       | 1    |
| 15   | 1200746  | (10000000–19999999 ) | Clip, Hose, Plstc 1.88–2.12                            | 3    |
| 16   | 49697    | (10000000–19999999 ) | Screw, Pan, Phl, M4 X 0.70 X 10, Ss                    | 6    |
| 17   | 9010921  | (10000000–19999999 ) | Cover, Recovery Tank, Afmkt [T12]                      | 1    |
| 18   | 1200519  | (10000000–19999999 ) | Bracket, Mtg, Cover                                    | 2    |
| 19   | 1057214  | (10000000–19999999 ) | Plate, Arm, Prop                                       | 1    |
| 20   | 360460   | (10000000–19999999 ) | Sleeve, P/M, 0.34b 0.63d 0.4l, Ss / Oil                | 1    |
| 21   | 12333    | (10000000–19999999 ) | Screw, Hex, M8 X 1.25 X 25, Ss, NI                     | 1    |
| 22   | 1017218  | (10000000–19999999 ) | Washer, Flat, 0.32b 1.00d .12, Ss                      | 2    |
| 23   | 230735   | (10000000–19999999 ) | Sleeve, P/M, Flng, 0.33b 0.75/0.50d 0.8l               | 1    |
| 24   | 59658    | (10000000–19999999 ) | Screw, Hex, M8 X 1.25 X 35, NI, Ss                     | 1    |
| 25   | 1200834  | (10000000–19999999 ) | Hose Assy, Drain, 2.0 Id X 32.2 L, Blk (Solution Tank) | 1    |
| 26   | 1201434  | (10000000–19999999 ) | Clamp, Hose, Wormdrive, 4.63–5.50, 0.5w                | 2    |
| 27   | 1200737  | (10000000–19999999 ) | Hose Assy, Drain, 2.0 Id X 26.2l, Blk (Recovery Tank)  | 1    |
| 28   | 1066063  | (10000000–19999999 ) | Plug, Hole, Rnd, 0.25H 0.43L, Brb, Nyl                 | 4    |
| 29   | 1066433  | (10000000–19999999 ) | Seal, Afmkt, Bulb, Dual, 08ft [F/.30gap]               | 1    |

# STANDARD PARTS

Fig. 18 – Vacuum Fan Group

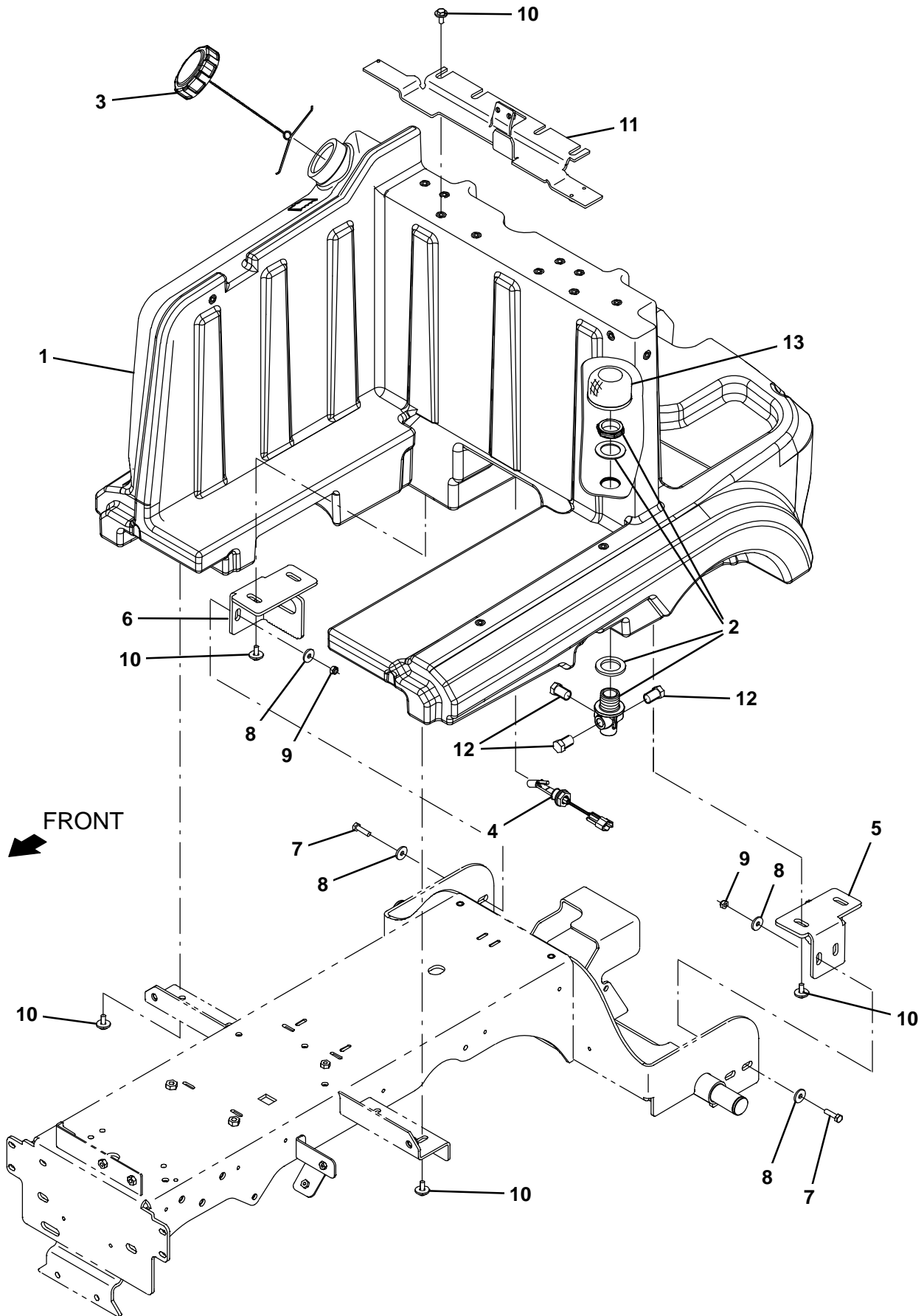


**Fig. 18 – Vacuum Fan Group**

|   | <b>Ref.</b> | <b>Part No.</b> | <b>Serial Number</b> | <b>Description</b>                                    | <b>Qty.</b> |
|---|-------------|-----------------|----------------------|---|-------------|
| ▽ | 1           | 1200149         | (10000000–19999999 ) | Fan, Vac, 6.6 Dia, Ametek                             | 1           |
| ▲ |             | 1206774         | (10000000–19999999 ) | Brush Kit, Motor, Fan                                 | 1           |
|   | 2           | 1201267         | (10000000–19999999 ) | Assy, Seal, Mtg, Vacfan                               | 1           |
|   | 3           | 49891           | (10000000–19999999 ) | Clamp, Hose, Wormdrive, 5.56–6.50d, .56w              | 1           |
|   | 4           | 08716           | (10000000–19999999 ) | Screw, Hex, M6 X 1.00 X 20, Ss                        | 5           |
|   | 5           | 29570           | (10000000–19999999 ) | Washer, Flat, 0.28b 1.00d .06, Stl                    | 5           |
|   | 6           | 1203848         | (10000000–19999999 ) | Muffler, Vacfan, 11.0 L                               | 1           |
|   | 7           | 130773          | (10000000–19999999 ) | Tie, Cable, Nyl, 11.0l, .14w, 3.0 Max. D              | 1           |
|   | 8           | 1200369         | (10000000–19999999 ) | Insulation, Acstc, 0.5, 10.4 X 13.0 C–0               | 1           |
|   | 9           | 1200649         | (10000000–19999999 ) | Cover, Fan, Vacuum                                    | 1           |
|   | 10          | 140154          | (10000000–19999999 ) | Sleeve, P/M, 0.25b 0.38d 0.3l, Pl                     | 2           |
|   | 11          | 15678           | (10000000–19999999 ) | Screw, Hex, M6 X 1.00 X 16, Ss                        | 2           |
|   | 12          | 01684           | (10000000–19999999 ) | Washer, Flat, 0.27b 0.69d .05, Ss                     | 2           |
|   | 13          | 1201875         | (10000000–19999999 ) | Hose, Vacuum, 1.75id X 68.6l, 2 Cuff                  | 1           |
|   | 14          | 1067964         | (10000000–19999999 ) | Fastener, 25.0 [Hook & Loop]                          | 1           |
|   | 15          | 1052126         | (10000000–19999999 ) | Inductor, 12.7Mmid [156 Imp At 25Mz] (Australia Only) | 1           |
|   | 16          | 16944           | (10000000–19999999 ) | Screw, hex, m4 X 0.70 X 10, Fmg                       | 1           |

# STANDARD PARTS

Fig. 19 – Solution Tank Group

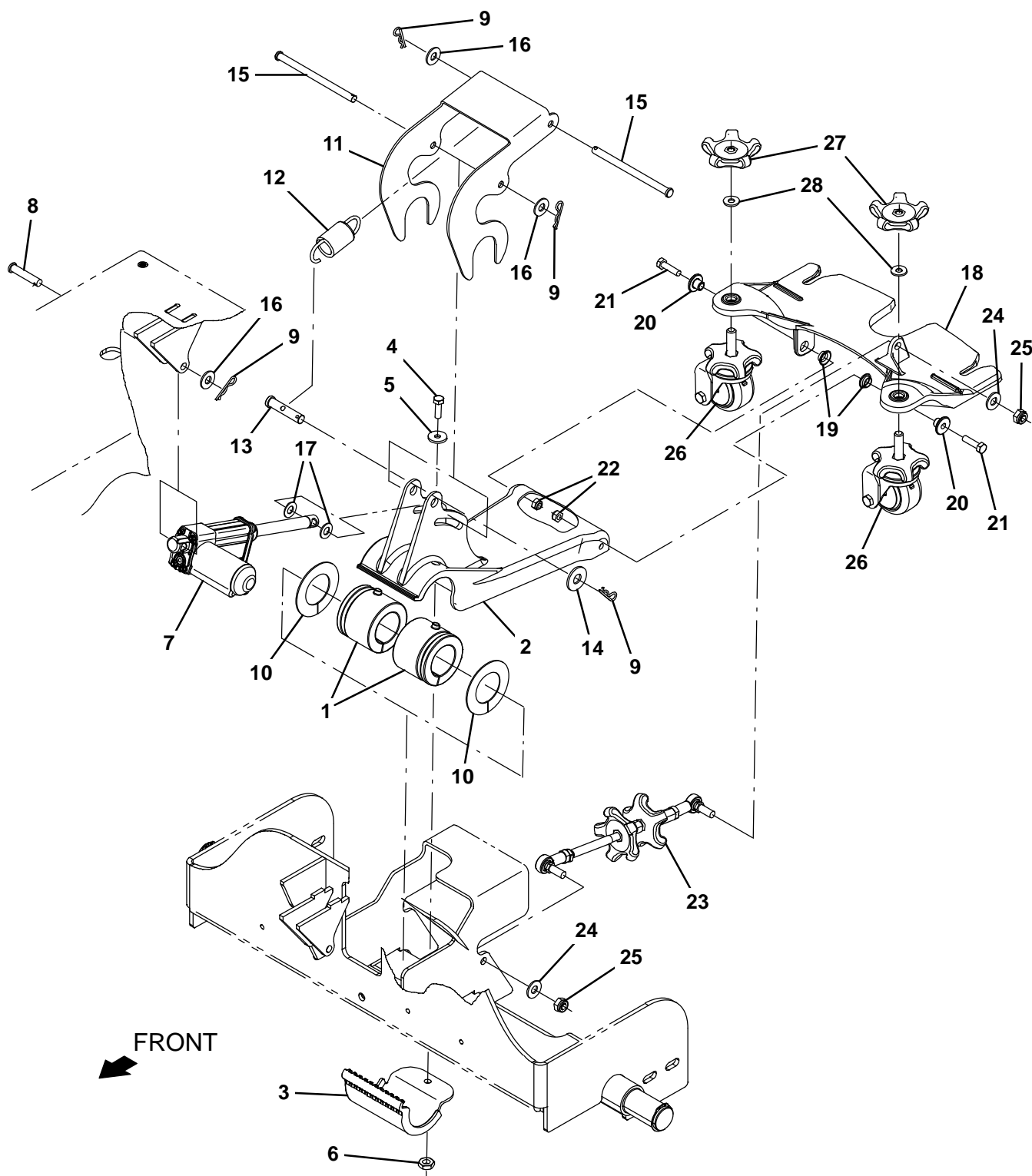


**Fig. 19 – Solution Tank Group**

| <b>Ref.</b> | <b>Part No.</b> | <b>Serial Number</b> | <b>Description</b>                      | <b>Qty.</b> |
|-------------|-----------------|----------------------|---|-------------|
| 1           | 9010919         | (10000000–19999999 ) | Solution Tank, Afmkt [T12]              | 1           |
| 2           | 1059317         | (10000000–19999999 ) | Fitting Assy, Soltn, Bh                 | 1           |
| 3           | 1011885         | (10000000–19999999 ) | Cap, Tank                               | 1           |
| 4           | 1201588         | (10000000–19999999 ) | Sensor, Level, Liq, 30watt, Spst        | 1           |
| 5           | 1201077         | (10000000–19999999 ) | Bracket, Sppt, Tank, Lh                 | 1           |
| 6           | 1201079         | (10000000–19999999 ) | Bracket, Sppt, Tank, Rh                 | 1           |
| 7           | 12317           | (10000000–19999999 ) | Screw, Hex, M10 X 1.50 X 30, Ss         | 4           |
| 8           | 01686           | (10000000–19999999 ) | Washer, Flat, 0.44b 1.00d .08, Ss       | 8           |
| 9           | 08714           | (10000000–19999999 ) | Nut, Hex, Lock, M10 X 1.5, NI, Ss       | 4           |
| 10          | 1020341         | (10000000–19999999 ) | Screw, Hex, M8 X 1.25 X 20, Ss, Sems    | 12          |
| 11          | 1205727         | (10000000–19999999 ) | Bracket Wldt, Sppt, Seat                | 1           |
| 12          | 630146          | (10000000–19999999 ) | Fitting, Plug, Pm06, Nyl                | 3           |
| 13          | 1027290         | (10000000–19999999 ) | Filter, Soltn, 020Mesh, Pm12 3.1D 02.6L | 1           |

# STANDARD PARTS

## Fig. 20 - Rear Squeegee Lift Group

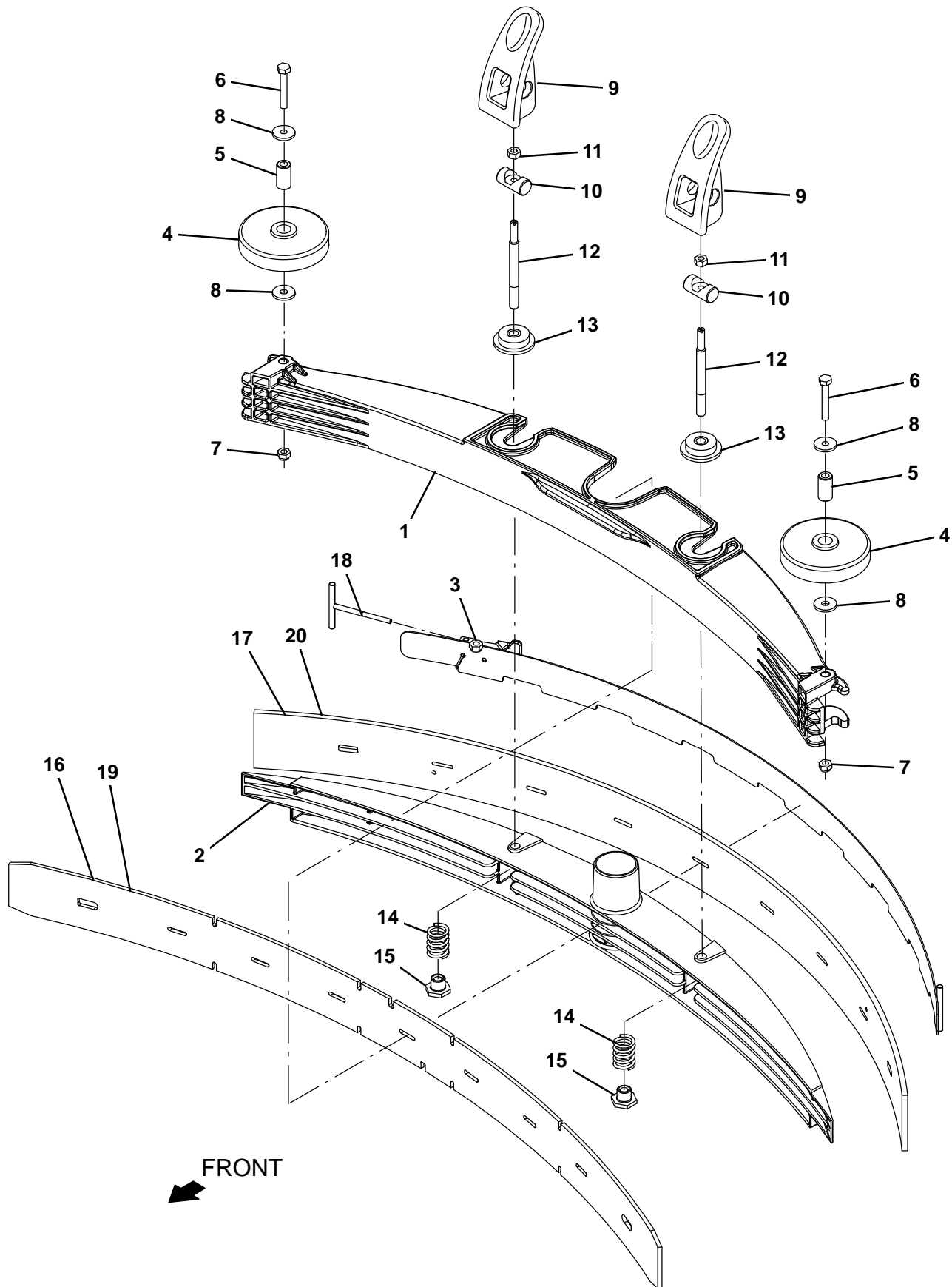


**Fig. 20 – Rear Squeegee Lift Group**

| Ref. | Part No. | Serial Number        | Description                             | Qty. |
|------|----------|----------------------|---|------|
| 1    | 1053815  | (10000000–19999999 ) | Bushing, Flex, Ure                      | 2    |
| 2    | 1053870  | (10000000–19999999 ) | Arm, Lift, Sqge                         | 1    |
| 3    | 1053814  | (10000000–19999999 ) | Clamp, Pivot, Link                      | 1    |
| 4    | 09010    | (10000000–19999999 ) | Screw, Hex, M8 X 1.25 X 25, Ss          | 1    |
| 5    | 1017218  | (10000000–19999999 ) | Washer, Flat, 0.32b 1.00d .12, Ss       | 1    |
| 6    | 08713    | (10000000–19999999 ) | Nut, Hex, Lock, M8 X 1.25, NI, Ss       | 3    |
| 7    | 1201489  | (10000000–19999999 ) | Actuator, 36vdc, 02.0strk, 0180lb       | 1    |
| 8    | 94877    | (10000000–19999999 ) | Pin, Clevis, 10mmd X                    | 1    |
| 9    | 44906    | (10000000–19999999 ) | Pin, Cotter, Hair, 0.38d .093 Wir       | 4    |
| 10   | 1059969  | (10000000–19999999 ) | Washer, Thrust, 1.81b 2.93d .06w, Plstc | 2    |
| 11   | 1059316  | (10000000–19999999 ) | Link, Tensioner, Spring                 | 1    |
| 12   | 1201370  | (10000000–19999999 ) | Spring, Extn, 1.26od 0.162wir 03.3l     | 1    |
| 13   | 1059498  | (10000000–19999999 ) | Pin, Clevis, 0.50d X 2.25l              | 1    |
| 14   | 32493    | (10000000–19999999 ) | Washer, Flat, 0.50, Std                 | 1    |
| 15   | 1059338  | (10000000–19999999 ) | Pin, Clevis, 0.37d X 5.25l              | 2    |
| 16   | 01686    | (10000000–19999999 ) | Washer, Flat, 0.44b 1.00d .08, Ss       | 5    |
| 17   | 1018151  | (10000000–19999999 ) | Washer, Flat, 0.44b 0.88d .06, Nyl      | 2    |
| 18   | 1204957  | (10000000–19999999 ) | Coupling, Sqge                          | 1    |
| 19   | 1054662  | (10000000–19999999 ) | Bushing, FIng, 0.50b 0.59d 0.25l        | 2    |
| 20   | 1059990  | (10000000–19999999 ) | Sleeve, FIng, 0.32b 1.00/0.50d 0.6l, Ss | 2    |
| 21   | 09011    | (10000000–19999999 ) | Screw, Hex, M8 X 1.25 X 30, Ss          | 2    |
| 22   | 08713    | (10000000–19999999 ) | Nut, Hex, Lock, M8 X 1.25, NI, Ss       | 2    |
| 23   | 9010937  | (10000000–19999999 ) | Turnbuckle Replmt, Afrmkt [T12]         | 1    |
| 24   | 01686    | (10000000–19999999 ) | Washer, Flat, 0.44b 1.00d .08, Ss       | 2    |
| 25   | 08714    | (10000000–19999999 ) | Nut, Hex, Lock, M10 X 1.5, NI, Ss       | 2    |
| 26   | 1205850  | (10000000–19999999 ) | Caster Assy, Swivel                     | 2    |
| 27   | 1055516  | (10000000–19999999 ) | Knob Assy, Star, 3.21d 5ear M12         | 2    |
| 28   | 578430   | (10000000–19999999 ) | Washer, Flat, 0.50d, PI [Spring–Disc]   | 2    |

# STANDARD PARTS

## Fig. 21 - Rear Squeegee Kit



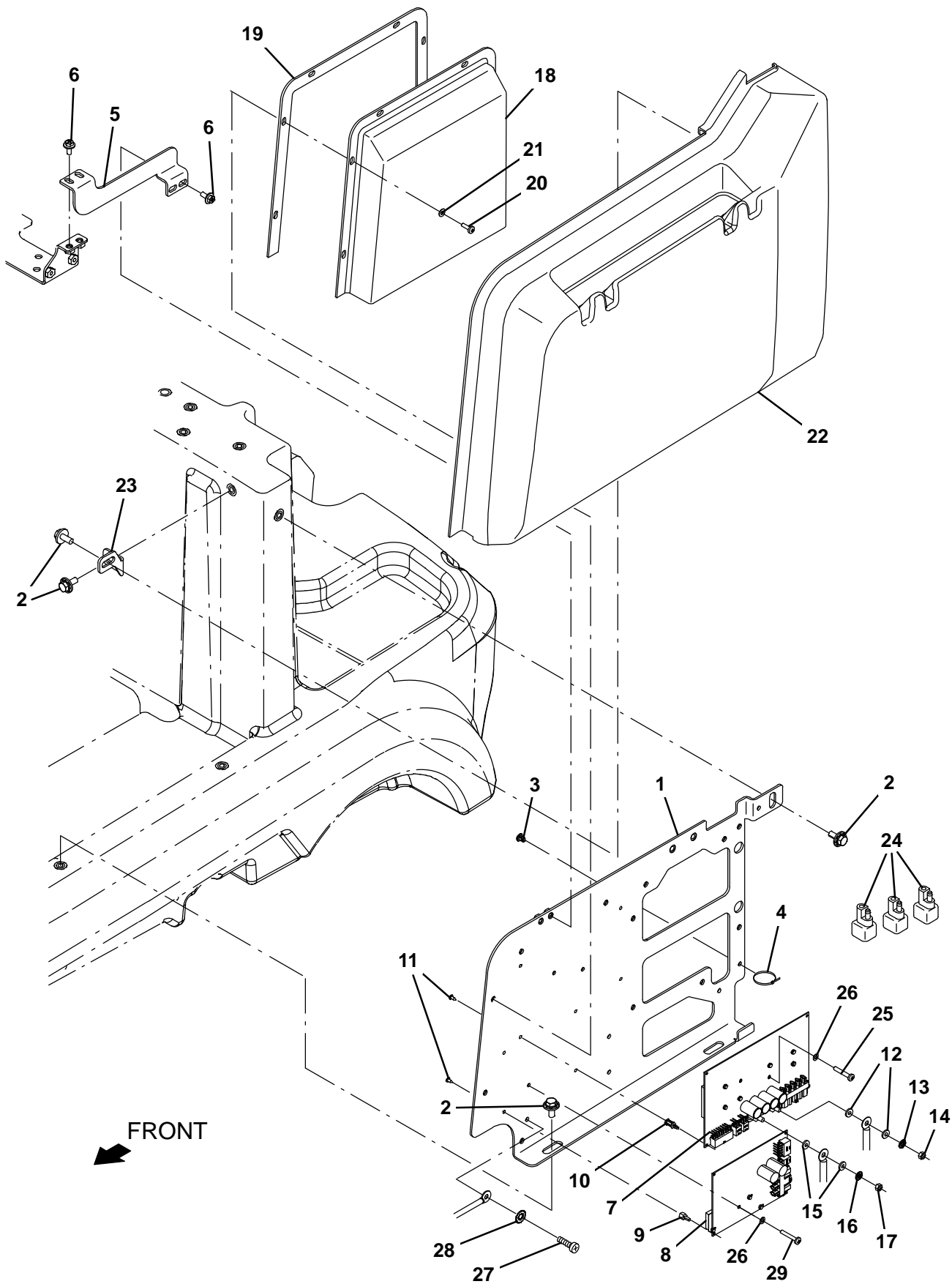


**Fig. 21 – Rear Squeegee Kit**

| Ref. | Part No.   | Serial Number        | Description  | Qty. |
|------|------------|----------------------|--|------|
| ▽    | 9009817    | (10000000–19999999 ) | Squeegee Kit, Rear, Ci [T12]                             | 1    |
| ▲    | 1 1200219  | (10000000–19999999 ) | Frame, Sqge, Outer                                       | 1    |
| ▲    | 2 1200218  | (10000000–19999999 ) | Frame, Sqge, Inner                                       | 1    |
| ▲    | 3 1200466  | (10000000–19999999 ) | Clamp Wldt, Retainer, Sqge                               | 1    |
| ▲    | 4 363162   | (10000000–19999999 ) | Wheel, 04.0d 0.89w 0.64b                                 | 2    |
| ▲    | 5 363301   | (10000000–19999999 ) | Sleeve, P/M, 0.34b 0.63d 1.2l, Bnz                       | 2    |
| ▲    | 6 49694    | (10000000–19999999 ) | Screw, Hex, M8 X 1.25 X 50, Ss                           | 2    |
| ▲    | 7 08713    | (10000000–19999999 ) | Nut, Hex, Lock, M8 X 1.25, NI, Ss                        | 2    |
| ▲    | 8 1017218  | (10000000–19999999 ) | Washer, Flat, 0.32b 1.00d .12, Ss                        | 4    |
| ▲    | 9 1052532  | (10000000–19999999 ) | Grip, Lock   | 2    |
| ▲    | 10 1055396 | (10000000–19999999 ) | Pin, 0.63d, 02.0l [W/Cbore, M8 Screw]                    | 2    |
| ▲    | 11 07786   | (10000000–19999999 ) | Nut, Hex, Std, M8 X 1                                    | 2    |
| ▲    | 12 1057407 | (10000000–19999999 ) | Rod, Thrd, 2end, M8x1.25/ M10x1.5 04.7l                  | 2    |
| ▲    | 13 1055506 | (10000000–19999999 ) | Ring, Mtg, Sqge, .38l                                    | 2    |
| ▲    | 14 1064770 | (10000000–19999999 ) | Spring, Cmpr, 0.98od .13wir 01.3l, Ss                    | 2    |
| ▲    | 15 391345  | (10000000–19999999 ) | Nut, T, M10 X 1.50 X 0.62od X 0.5l                       | 2    |
| ▲    | 16 1200383 | (10000000–19999999 ) | Blade, Sqge, Front, 42.59l [Linard]                      | 1    |
| ▲    | 17 1200384 | (10000000–19999999 ) | Blade, Sqge, Rear, Linatex                               | 1    |
| ▲    | 18 1054312 | (10000000–19999999 ) | Hook Wldt, Latch   |      |
|      | 19 1201825 | (10000000–19999999 ) | Blade, Sqge, Front, 43.19L [Gum] (Option)                | 1    |
|      | 19 1201823 | (10000000–19999999 ) | Blade, Sqge, Front, 43.19l [Urethane] (Option)           | 1    |
|      | 19 1212213 | (10000000–19999999 ) | Blade, Sqge, Front, Tile, Tile, 42.59L [Linard} (Option) | 1    |
|      | 20 1201826 | (10000000–19999999 ) | Blade, Sqge, Rear, Gum (Option)                          | 1    |
|      | 20 1201824 | (10000000–19999999 ) | Blade, Sqge, Rear, Urethane (Option)                     | 1    |

# STANDARD PARTS

Fig. 22 – Electrical Circuit Board Group

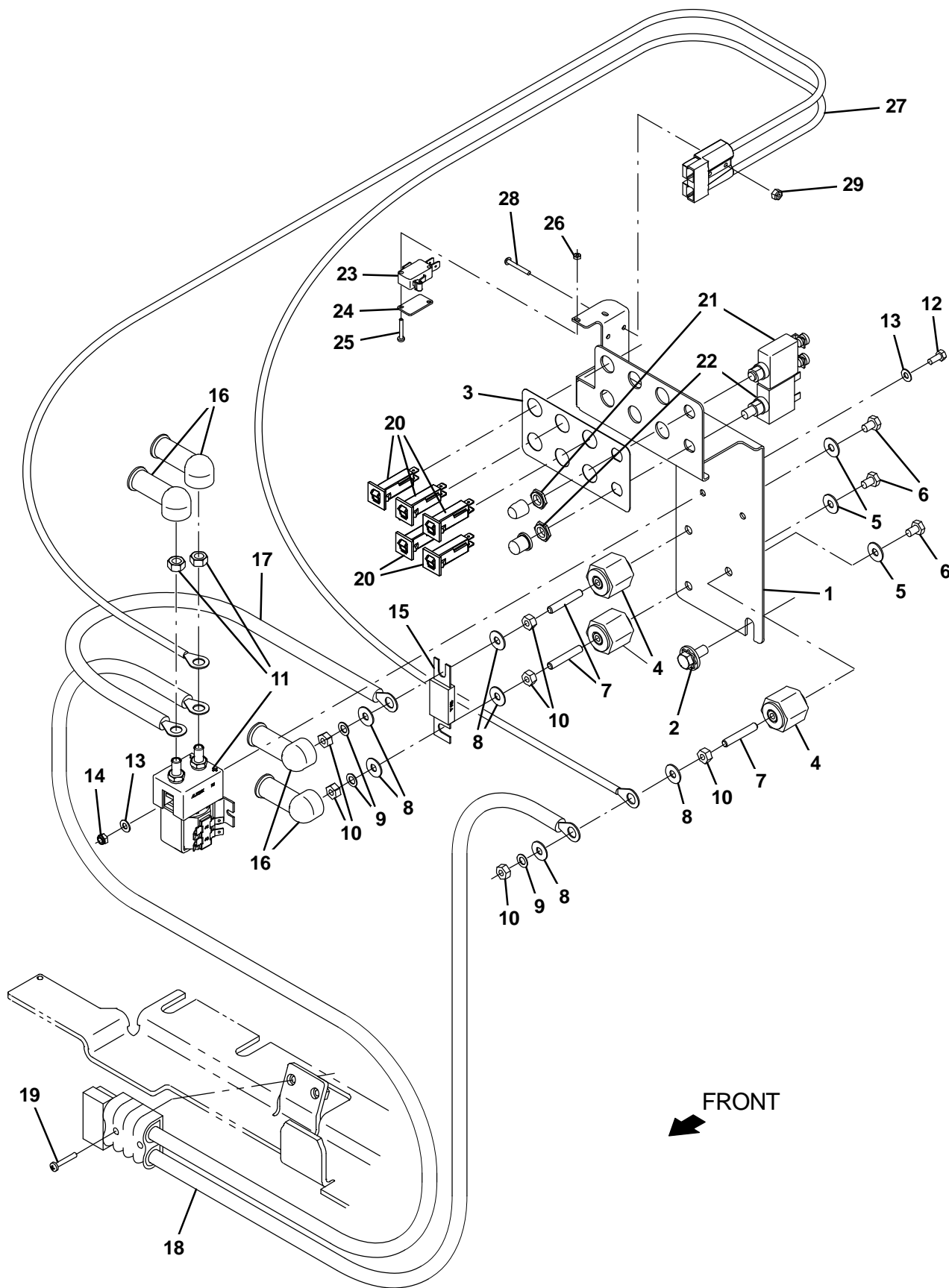


**Fig. 22 – Electrical Circuit Board Group**

| Ref. | Part No. | Serial Number        | Description                              | Qty. |
|------|----------|----------------------|--|------|
| 1    | 1200918  | (10000000–19999999 ) | Plate Wldt, Mtg, Electronic Component    | 1    |
| 2    | 1020341  | (10000000–19999999 ) | Screw, Hex, M8 X 1.25 X 20, Ss, Sems     | 5    |
| 3    | 1202868  | (10000000–19999999 ) | Clip, Tie, 0.25d, Plstc                  | 7    |
| 4    | 130773   | (10000000–19999999 ) | Tie, Cable, Nyl, 11.0l, .14w, 3.0 Max. D | 7    |
| 5    | 1203717  | (10000000–19999999 ) | Bracket, Stiffener                       | 1    |
| 6    | 1034731  | (10000000–19999999 ) | Screw, Hex, M6 X 1.00 X 16, Ss, Sems     | 4    |
| 7    | 9010931  | (10000000–19999999 ) | Circuit Board Kit, Scrub, Afmkt [T12]    | 1    |
| 8    | 9010932  | (10000000–19999999 ) | Circuit board Kit, H20_Sba, Afmkt [T12]  | 1    |
| 9    | 1016825  | (10000000–19999999 ) | Support, Circuitboard                    | 4    |
| 10   | 1202869  | (10000000–19999999 ) | Support, Circuitboard [0.5"]             | 4    |
| 11   | 3701.6   | (10000000–19999999 ) | Screw, Pan, Phl, 06–32 x 0.38, Shmtl, Ss | 8    |
| 12   | 1202862  | (10000000–19999999 ) | Washer, Flat, .21b .39d .04, Brs         | 2    |
| 13   | 07514    | (10000000–19999999 ) | Washer, Lock, Int, 10, Ss                | 1    |
| 14   | 1202864  | (10000000–19999999 ) | Nut, Hex, Std, M5 X 0.80, Brs            | 1    |
| 15   | 1061918  | (10000000–19999999 ) | Washer, Flat, 0.25b 0.47d .06, Brs       | 2    |
| 16   | 07515    | (10000000–19999999 ) | Washer, Lock, Int, 0.25, Ss              | 1    |
| 17   | 1061910  | (10000000–19999999 ) | Nut, Hex, Std, M6 X 1.00, Brs            | 1    |
| 18   | 1200792  | (10000000–19999999 ) | Cover, Box, Circuitboard                 | 1    |
| 19   | 1201210  | (10000000–19999999 ) | Gasket, Cover, Circuitboard              | 1    |
| 20   | 06934    | (10000000–19999999 ) | Screw, Pan, Phl, M5 X 0.80 X 20, 4.8     | 6    |
| 21   | 140011   | (10000000–19999999 ) | Washer, Flat, 0.21b 0.45d .03, Ss        | 6    |
| 22   | 9010922  | (10000000–19999999 ) | Side Cover, Std, Afmkt [T12]             | 1    |
| 23   | 1201024  | (10000000–19999999 ) | Bracket, Mtg, Panel                      | 1    |
| 24   | 222290   | (10000000–19999999 ) | Diode, Ele, Plug                         | 3    |
| 25   | 06929    | (10000000–19999999 ) | Screw, Pan, Phl, M4 X 0.70 X 25, 4.8     | 2    |
| 26   | 1202860  | (10000000–19999999 ) | Washer, Flat, 0.17b 0.31d .03, Nyl       | 3    |
| 27   | 24199    | (10000000–19999999 ) | Screw, Hex, M5 X 0.80 X 16, Ss           | 1    |
| 28   | 41140    | (10000000–19999999 ) | Washer, Lock, Int–Ext, 0.25              | 1    |
| 29   | 24265    | (10000000–19999999 ) | Screw, Pan, Phl, M4 X 0.70 X 16, Ss      | 1    |

# STANDARD PARTS

Fig. 23 – Electrical Contactor and Wires Group

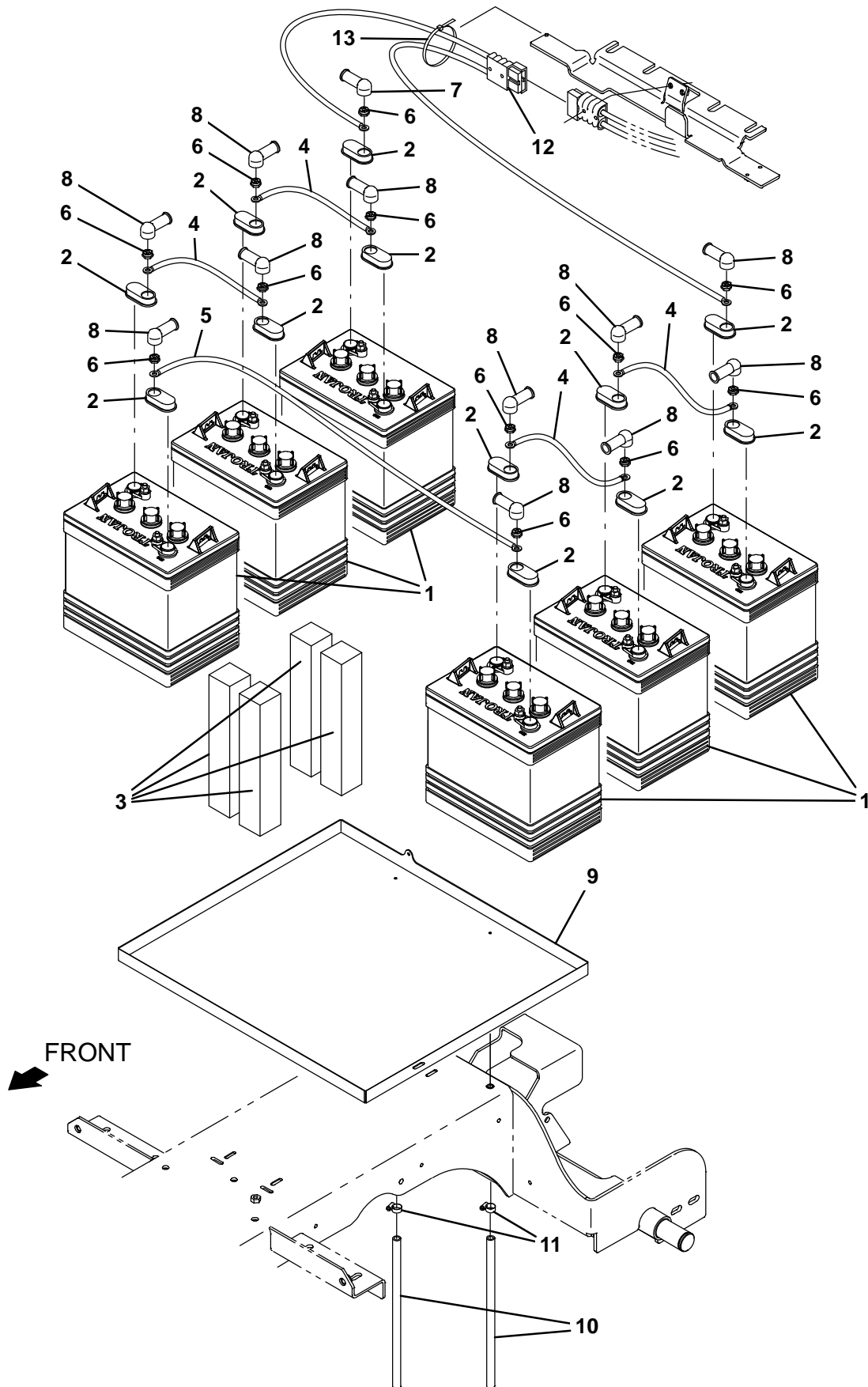


**Fig. 23 – Electrical Contactor and Wires Group**

| Ref. | Part No. | Serial Number        | Description                               | Qty. |
|------|----------|----------------------|---|------|
| 1    | 1200897  | (10000000–19999999 ) | Plate, Electrical                         | 1    |
| 2    | 1020341  | (10000000–19999999 ) | Screw, Hex, M8 X 1.25 X 20, Ss, Sems      | 2    |
| 3    | 1200913  | (10000000–19999999 ) | Label, Circuitbreaker                     | 1    |
| 4    | 76062    | (10000000–19999999 ) | Stand-Off, Wir, 0.25, Insulator, Panel    | 3    |
| 5    | 01684    | (10000000–19999999 ) | Washer, Flat, 0.27b 0.69d .05, Ss         | 3    |
| 6    | 58670    | (10000000–19999999 ) | Screw, Hex, .25–20 X 0.50, NI             | 3    |
| 7    | 41702    | (10000000–19999999 ) | Rod, Thrd, Full, .25–20 01.5l             | 3    |
| 8    | 32490    | (10000000–19999999 ) | Washer, Flat, 0.25, Std                   | 6    |
| 9    | 32982    | (10000000–19999999 ) | Washer, Lock, Int, 0.25                   | 3    |
| 10   | 01690    | (10000000–19999999 ) | Nut, Hex, Std, .25–20                     | 6    |
| 11   | 397609   | (10000000–19999999 ) | Contactor, 36vdc, No                      | 1    |
| 12   | 09738    | (10000000–19999999 ) | Screw, Hex, M5 X 0.80 X 12, Ss            | 2    |
| 13   | 140011   | (10000000–19999999 ) | Washer, Flat, 0.21b 0.45d .03, Ss         | 4    |
| 14   | 09739    | (10000000–19999999 ) | Nut, Hex, Lock, M5 X 0.80, NI, Ss         | 2    |
| 15   | 87318    | (10000000–19999999 ) | Fuse, 080a, 0.88 2.4l, 125volt, Slow-Blow | 1    |
| 16   | 1016314  | (10000000–19999999 ) | Boot, 90deg .50id 1.00id 2.50l, Red       | 4    |
| 17   | 1069894  | (10000000–19999999 ) | Cable, 06ga 5.5l Brown .25ring /.312ring  | 1    |
| 18   | 1069897  | (10000000–19999999 ) | Cable, Battery, 4ga, .25ring / .312ring   | 1    |
| 19   | 33944    | (10000000–19999999 ) | Screw, Pan, Phl, M6 X 1.00 X 35, 4.8      | 2    |
| 20   | 1064184  | (10000000–19999999 ) | Circuitbreaker, 02.5a, Resetable          | 5    |
| 21   | 383724   | (10000000–19999999 ) | Circuitbreaker, 25.0a, Resetable          | 1    |
| 22   | 1206757  | (10000000–19999999 ) | Circuitbreaker, 60.0a, resetable          | 1    |
| 23   | 600437   | (10000000–19999999 ) | Switch, Snap, 15a, Rlr                    | 1    |
| 24   | 601359   | (10000000–19999999 ) | Plate, Backing, Switch                    | 1    |
| 25   | 06922    | (10000000–19999999 ) | Screw, Pan, Phl, M3 X 0.50 X 20, 4.8      | 2    |
| 26   | 01754    | (10000000–19999999 ) | Nut, Hex, Std, M3 X 0                     | 2    |
| 27   | 1059169  | (10000000–19999999 ) | Cable Assy, 10ga .25ring /.31ring, 050a   | 1    |
| 28   | 25005    | (10000000–19999999 ) | Screw, Pan, Phl, 06–32 X 1.00, G1         | 2    |
| 29   | 75939    | (10000000–19999999 ) | Nut, Hex, Lock, #06–32, NI                | 2    |

# STANDARD PARTS

Fig. 24 - Battery Group, 240Ah

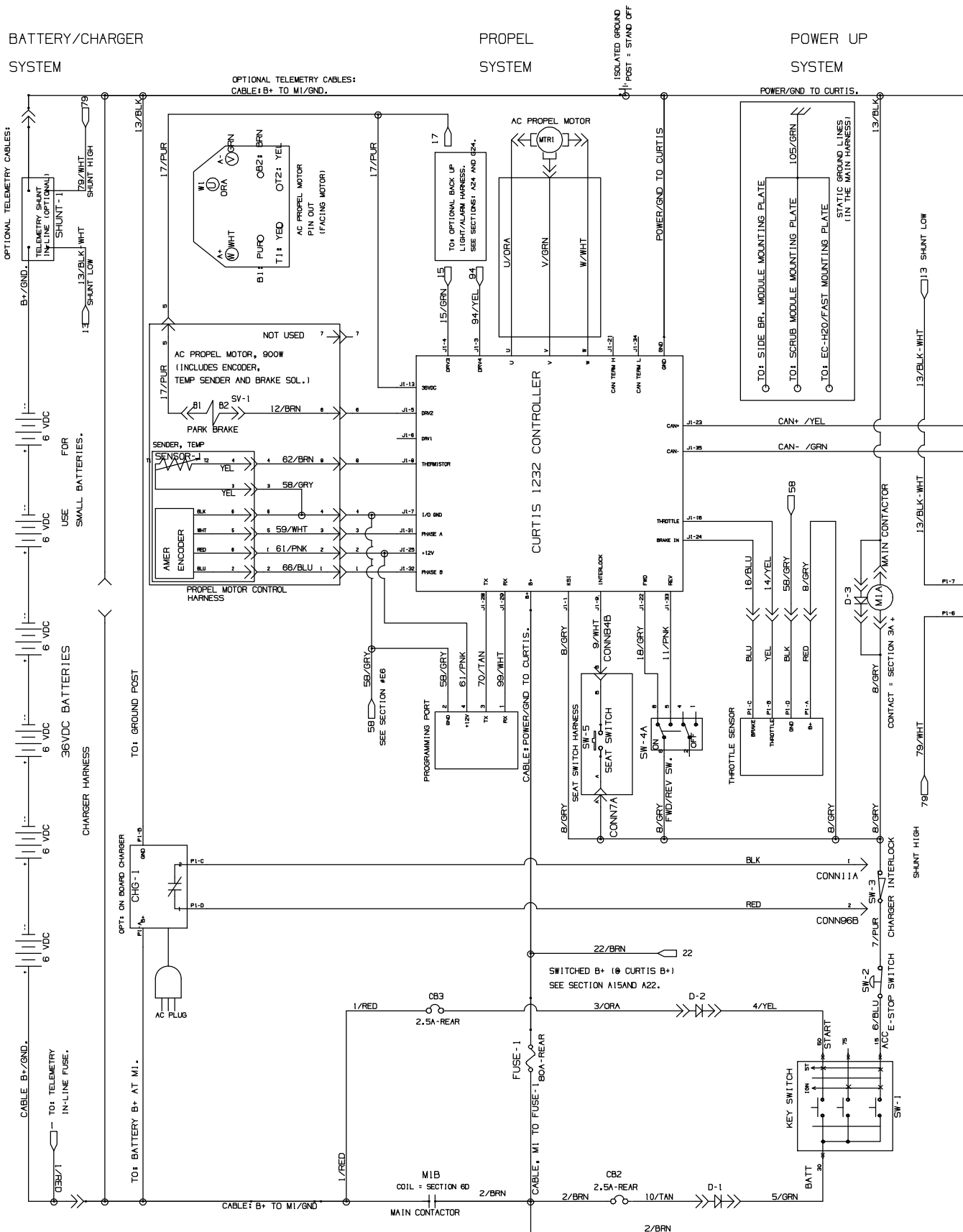


**Fig. 24 – Battery Group, 240Ah**

| <b>Ref.</b> | <b>Part No.</b> | <b>Serial Number</b> | <b>Description</b>                       | <b>Qty.</b> |
|-------------|-----------------|----------------------|--|-------------|
| 1           | 222280          | (10000000–19999999 ) | Battery, Wet, 06vdc 0240ah               | 6           |
| 2           | 1041030         | (10000000–19999999 ) | Cap, Battery                             | 12          |
| 3           | 83415           | (10000000–19999999 ) | Spacer, Battery, Foam, 2.00 X 2.0 X 11.0 | 4           |
| 4           | 223355          | (10000000–19999999 ) | Cable, 04ga 08.0l Blk .34ring /.34ring   | 4           |
| 5           | 223356          | (10000000–19999999 ) | Cable, 04ga 12.0l Blk .34ring /.34ring   | 1           |
| 6           | 87435           | (10000000–19999999 ) | Nut, Hex, Flexlock, .31–18               | 12          |
| 7           | 1016314         | (10000000–19999999 ) | Boot, 90deg .50id 1.00id 2.50l, Red      | 1           |
| 8           | 611221          | (10000000–19999999 ) | Boot, Terminal, Battery, 25.4mm, Blk     | 11          |
| 9           | 1201303         | (10000000–19999999 ) | Tray Wldt, Battery                       | 1           |
| 10          | 1006401         | (10000000–19999999 ) | Hose, Afmkt, Pvc, Brd, 0.50id, 03ft, Clr | 1           |
| 11          | 54333           | (10000000–19999999 ) | Clamp, Hose, Wormdrive, 0.31–0.88d, .31w | 2           |
| 12          | 223361          | (10000000–19999999 ) | Cable Assy, 04ga .34ring /.34ring, 175a  | 1           |
| 13          | 130773          | (10000000–19999999 ) | Tie, Cable, Nyl, 11.0l, .14w, 3.0 Max. D | 1           |

# STANDARD PARTS

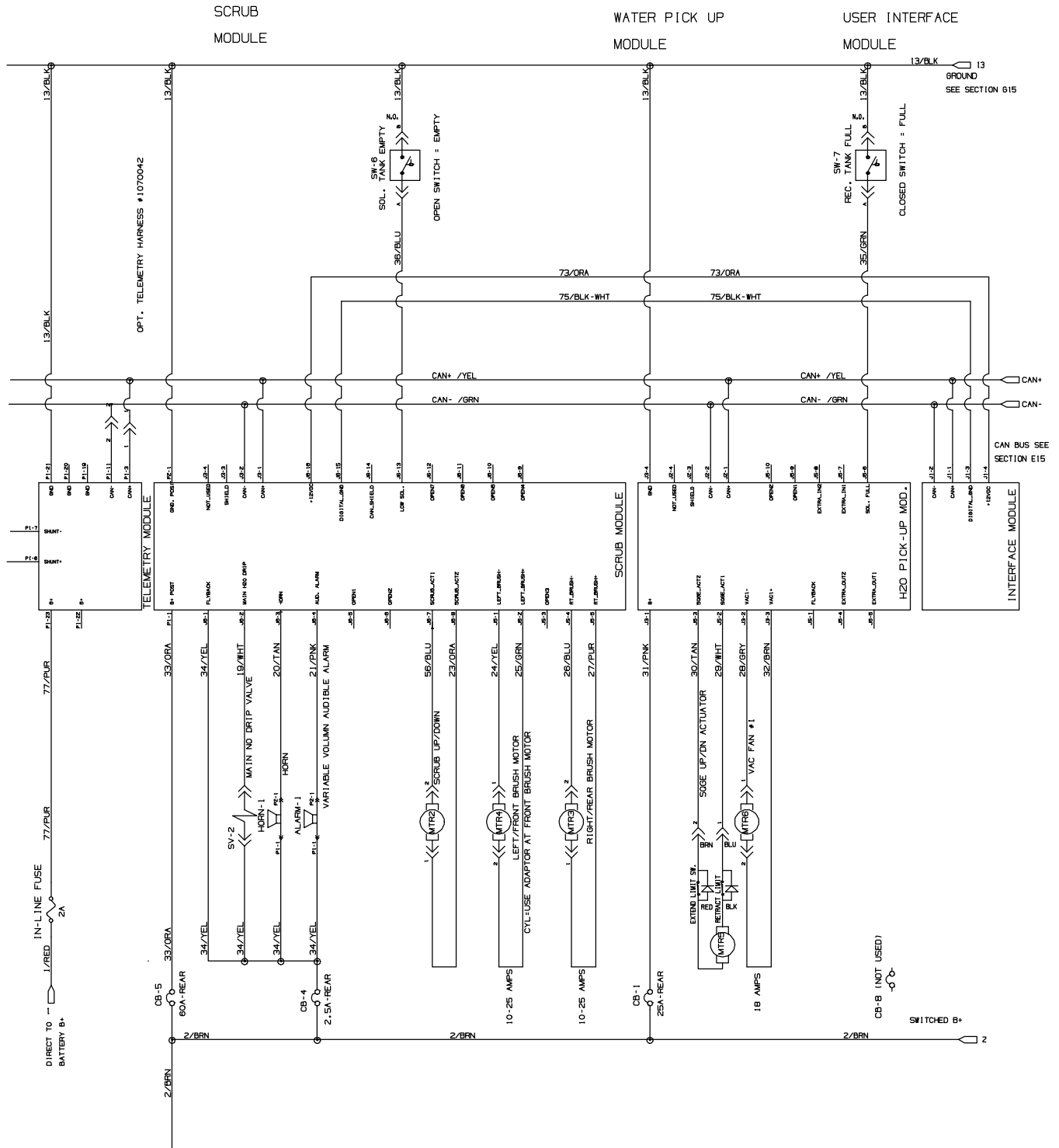
Fig. 25 – Electrical Schematic Group



1071333 – 356358



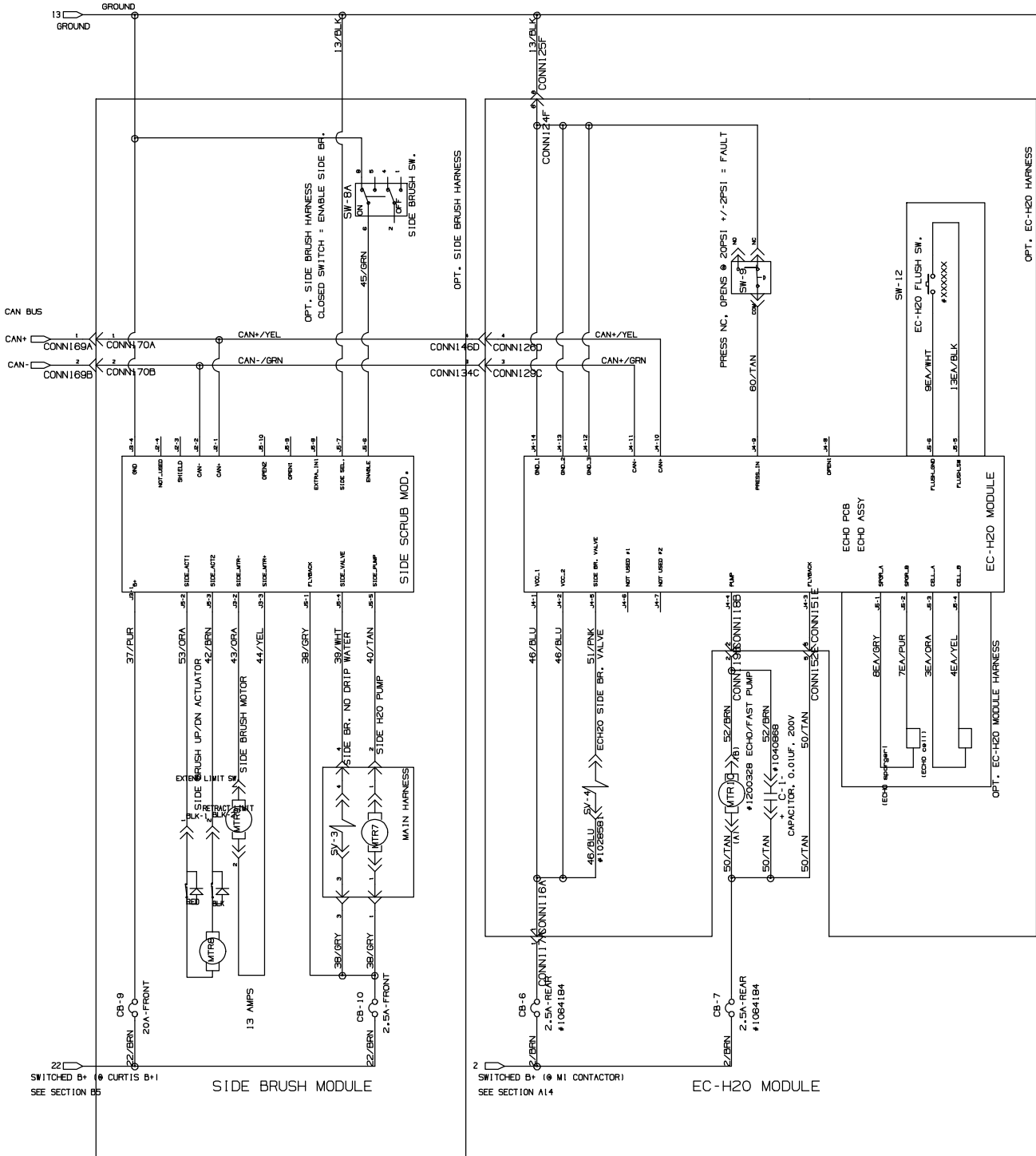
**Fig. 25 – Electrical Schematic Group**



1071333 – 356358

# STANDARD PARTS

**Fig. 25 – Electrical Schematic Group**

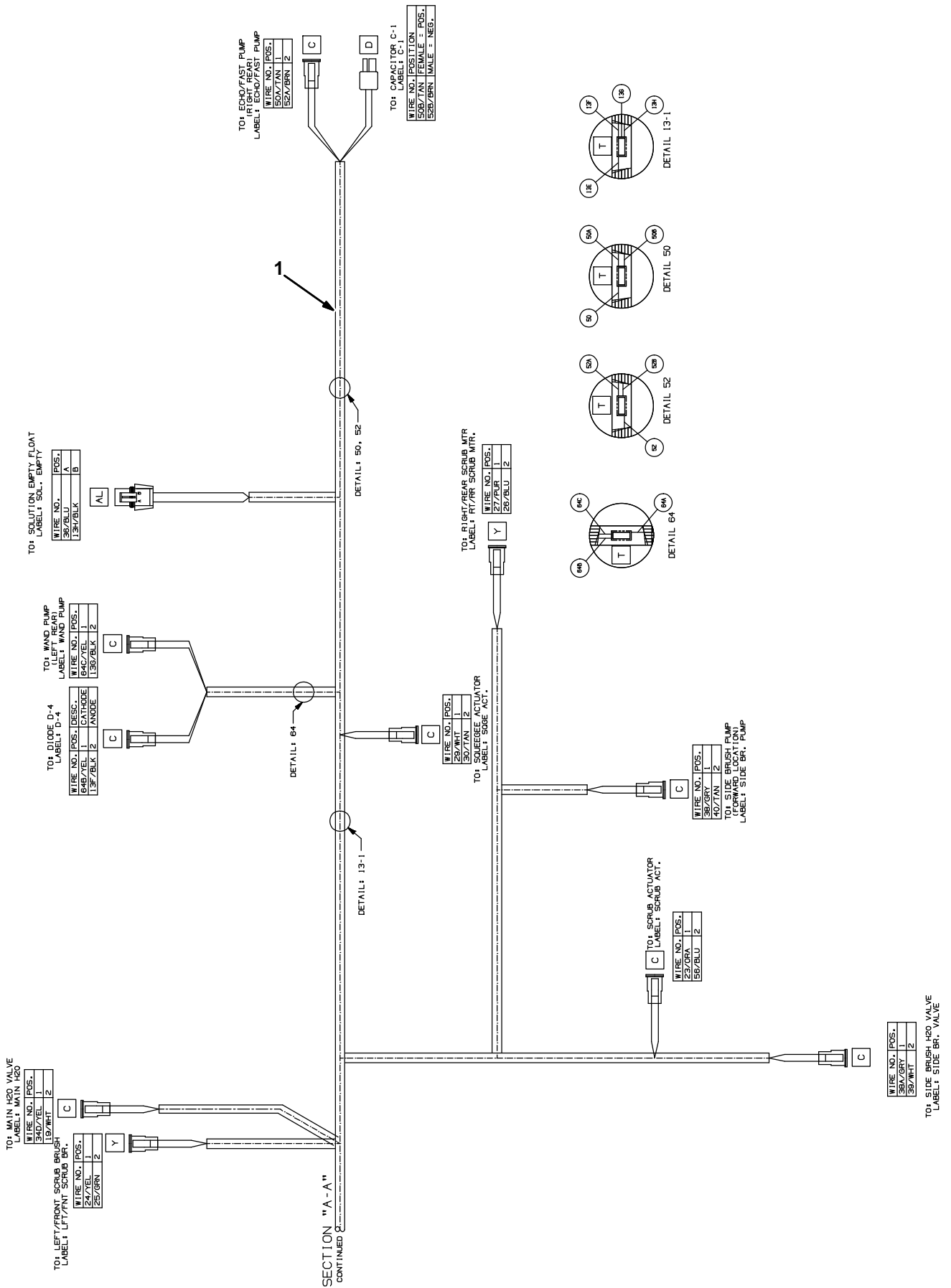


1071333 – 356358



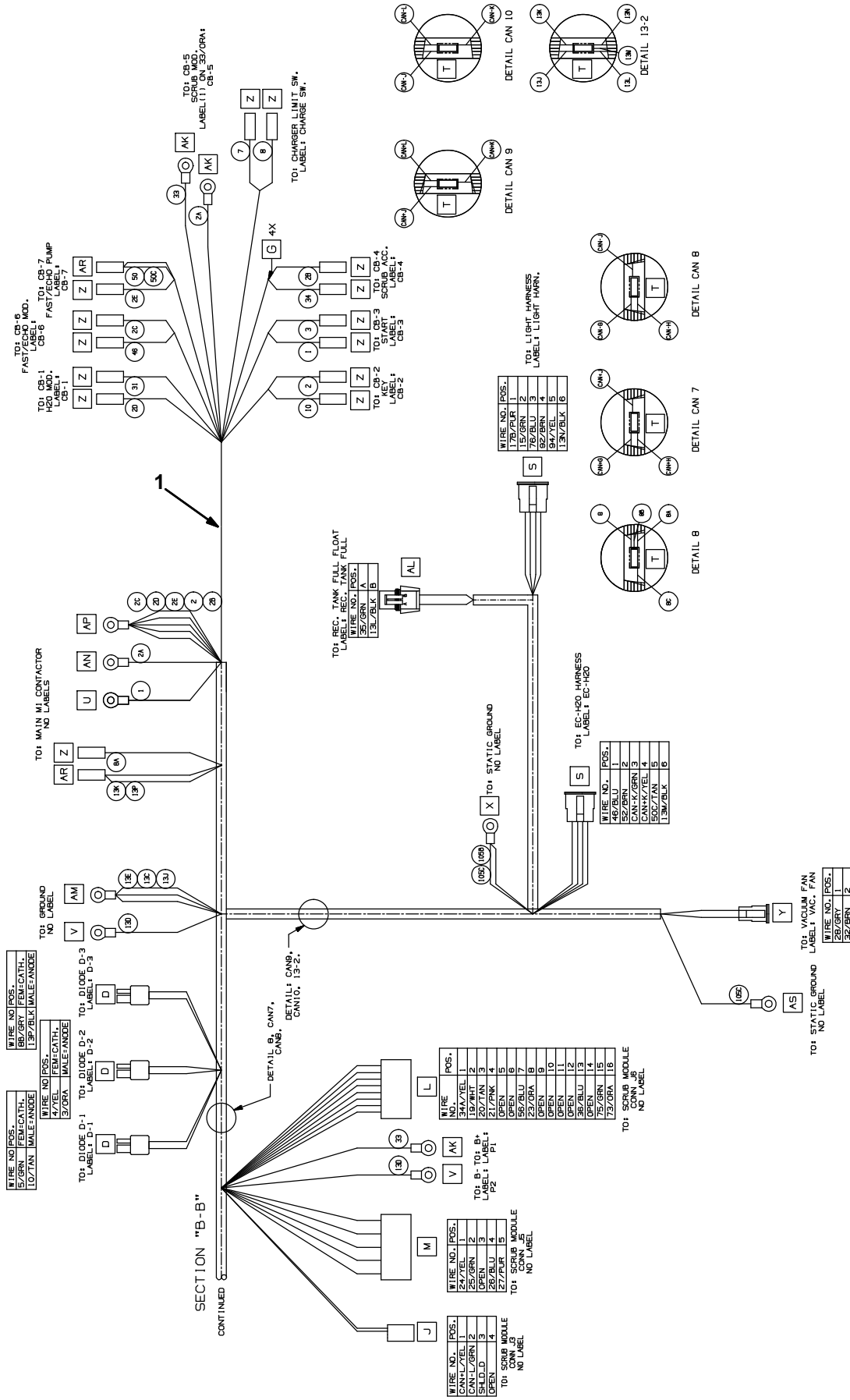


**Fig. 26 – Wire Harnesses Group**

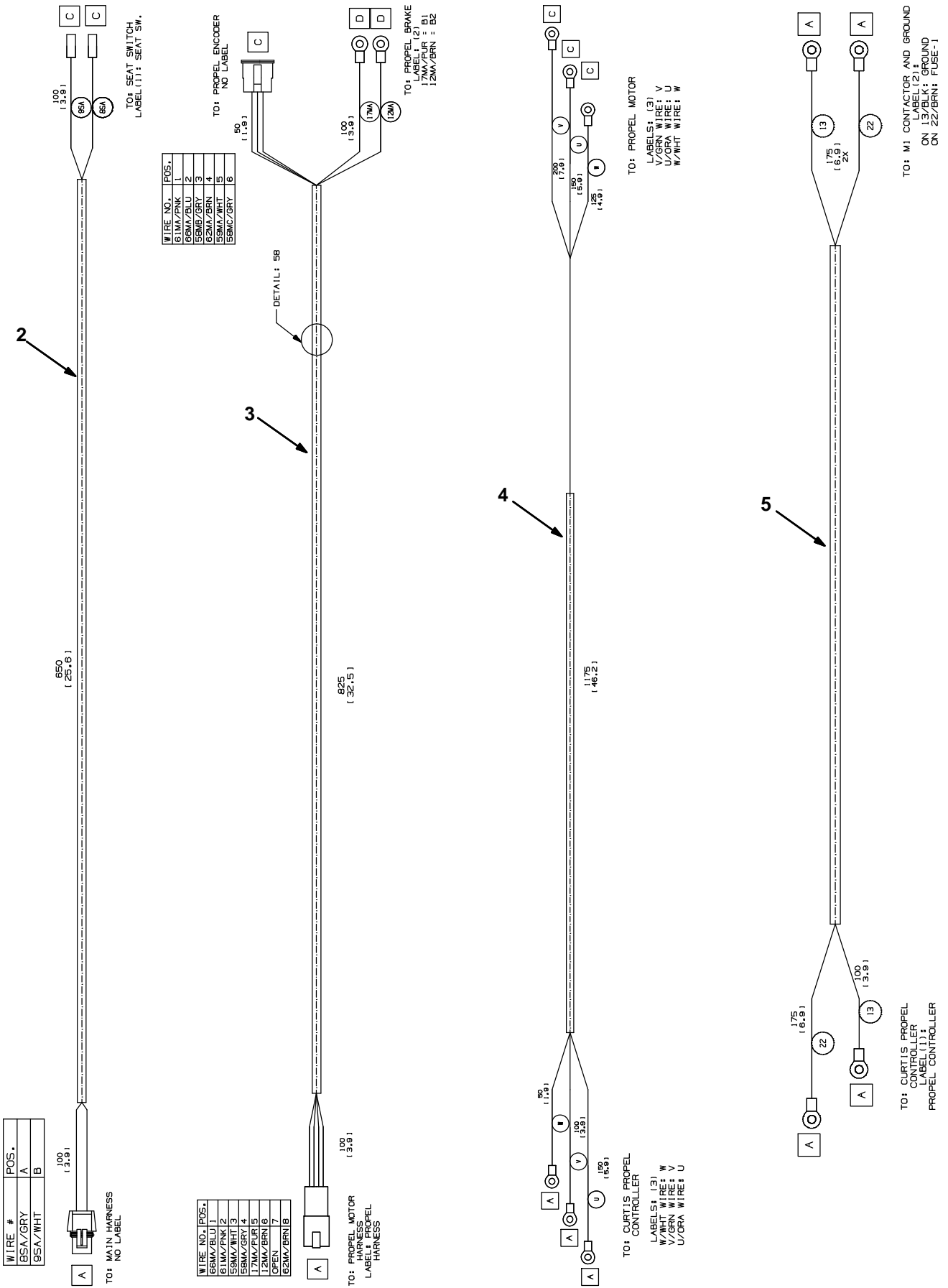


**STANDARD PARTS**

**Fig. 26 – Wire Harnesses Group**



**Fig. 26 – Wire Harnesses Group**



**STANDARD PARTS**

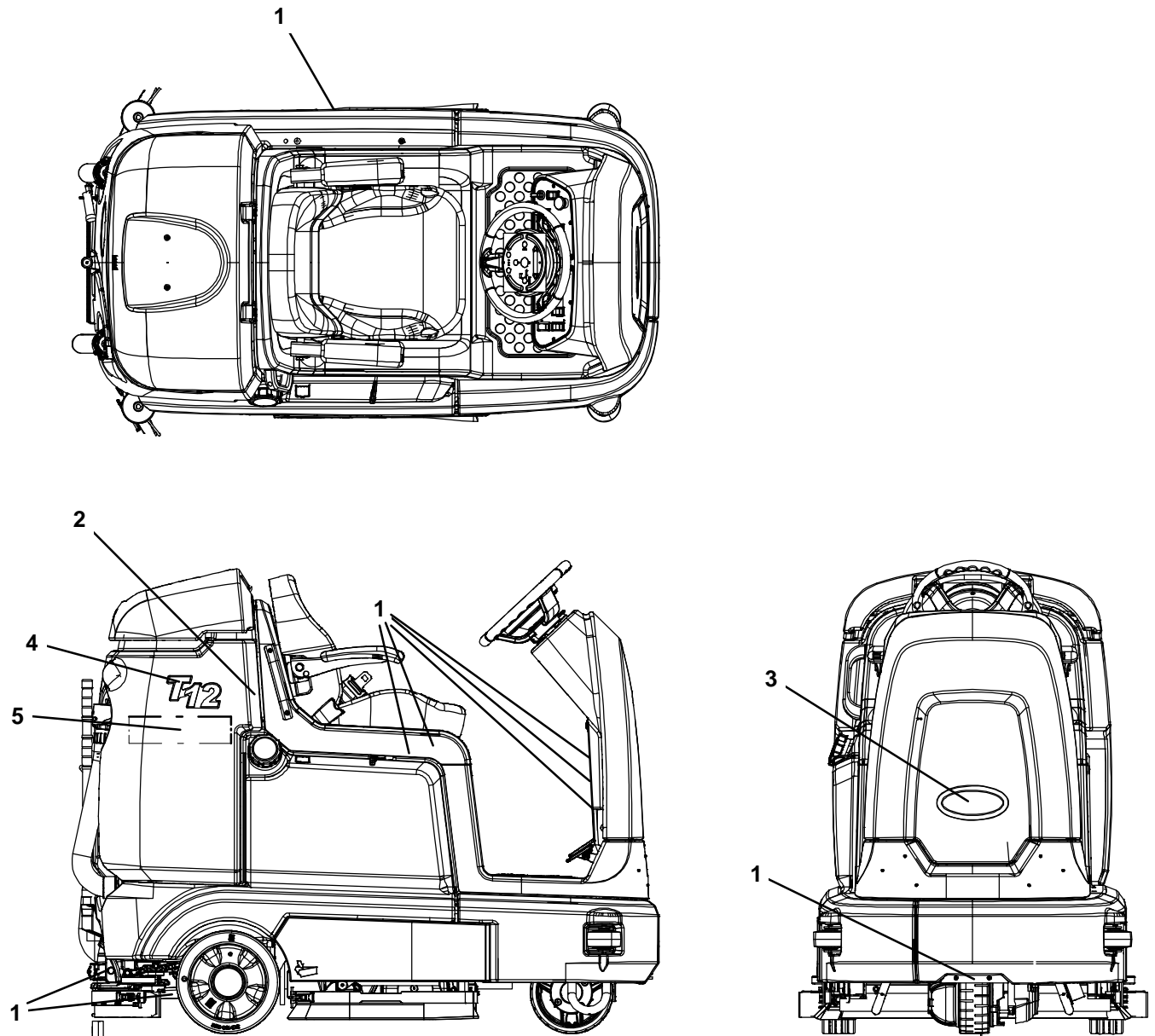
356359

**Fig. 26 – Wire Harnesses Group**

| <b>Ref.</b> | <b>Part No.</b> | <b>Serial Number</b> | <b>Description</b>                 | <b>Qty.</b> |
|-------------|-----------------|----------------------|------------------------------------|-------------|
| 1           | 1069346         | (10000000–19999999 ) | Harness, Main, Ele [T12]           | 1           |
| 2           | 1069745         | (10000000–19999999 ) | Harness. Ele, Seat [T12]           | 1           |
| 3           | 1069730         | (10000000–19999999 ) | Harness, Wire, Propel Motor [T12]  | 1           |
| 4           | 1070956         | (10000000–19999999 ) | Harness, Cable, Propel Motor [T12] | 1           |
| 5           | 1069891         | (10000000–19999999 ) | Cable Assy, power [T12]            | 1           |



**Fig. 27 – Labels Group**



356354

| Ref. | Part No. | Serial Number        | Description                                  | Qty. |
|------|----------|----------------------|--|------|
| 1    | 1205741  | (10000000–19999999 ) | Label Set, Info/Hzrd [T12]                   | 1    |
| 1    | 1205743  | (10000000–19999999 ) | Label Set, Info/Hzrd, Tj [T12] (Japan Only)  | 1    |
| 2    | 1205724  | (10000000–19999999 ) | Label, Hzrd, Flammable Matl, Na              | 1    |
| 2    | 1067120  | (10000000–19999999 ) | Label, Hzrd, Flammable Matl, Tj (Japan Only) | 1    |
| 3    | 1204077  | (10000000–19999999 ) | Nameplate, Tennant, Domed 7.0in              | 1    |
| 4    | 1205426  | (10000000–19999999 ) | Label, Logo [T12]                            | 2    |
| 5    | 1062813  | (10000000–19999999 ) | Label, Logo, 12.3l 4color [Ec–H2o]           | 2    |

## STANDARD PARTS

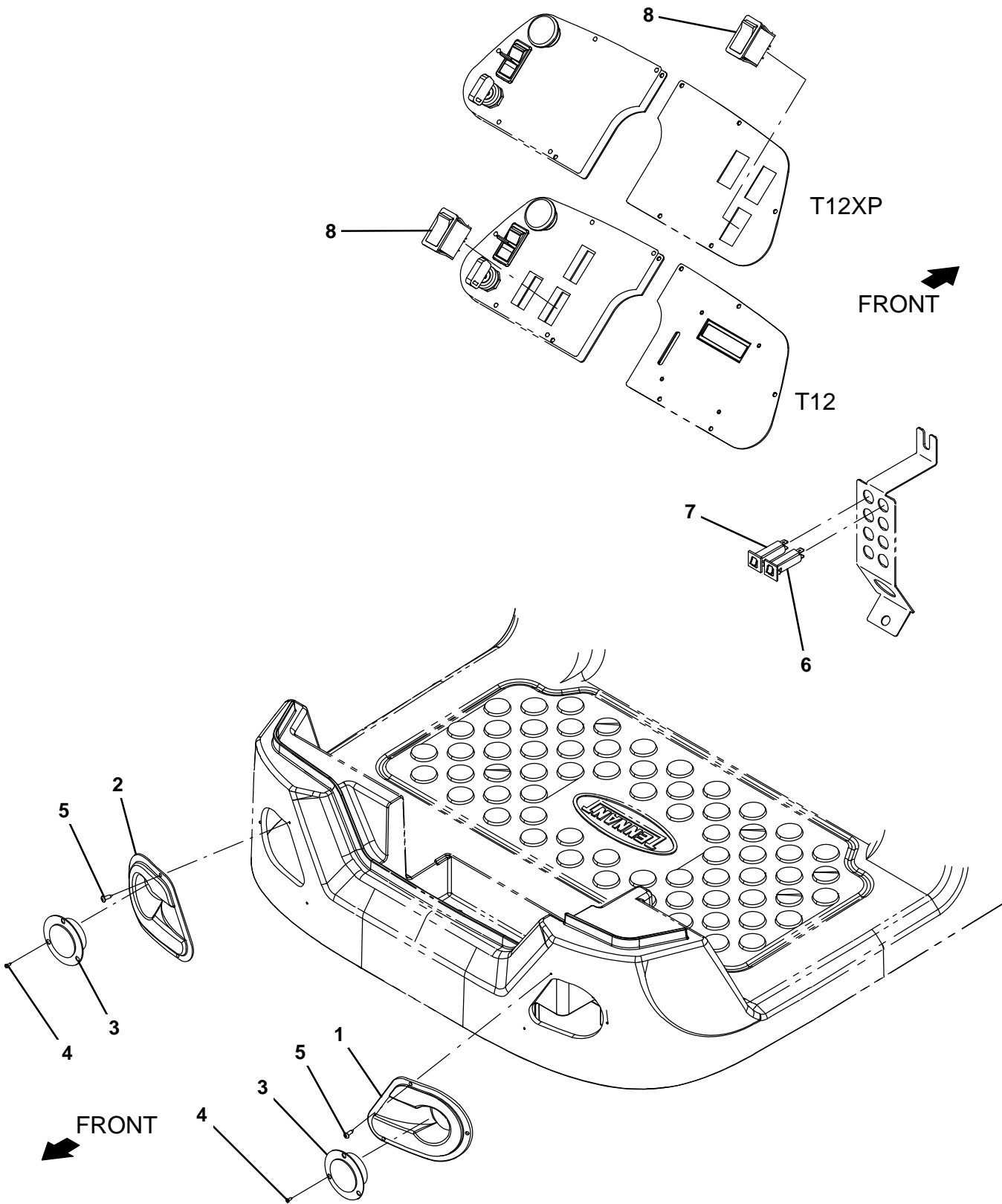
---

## SECTION 3

| Contents   | Page |
|--|------|
| Fig. 1 – Headlight Group .....                               | 3-2  |
| Fig. 2 – Strobe Light and Backup Alarm Kit .....             | 3-4  |
| Fig. 3 – Strobe Light Kit, Overhead Guard .....              | 3-6  |
| Fig. 4 – Squeegee Guard Group .....                          | 3-8  |
| Fig. 5 – Heavy Duty Bumper Kit .....                         | 3-10 |
| Fig. 6 – Overhead Guard Kit .....                            | 3-12 |
| Fig. 7 – ec-H2O Solution Pump Group .....                    | 3-14 |
| Fig. 8 – ec-H2O Solution Supply Group,<br>Side Brush .....   | 3-16 |
| Fig. 9 – ec-H2O Wire Harness Group .....                     | 3-18 |
| Fig. 10 – Side Brush Motor and Squeegee Group                | 3-20 |
| Fig. 11 – Side Brush Pivot Group .....                       | 3-22 |
| Fig. 12 – Side Brush Bumper and Mount Group                  | 3-24 |
| Fig. 13 – Side Brush Solution Supply Group .....             | 3-26 |
| Fig. 14 – Side Brush Electrical Group .....                  | 3-28 |
| Fig. 15 – Side Brush Wire Harness Group .....                | 3-30 |
| Fig. 16 – Spray Hose Kit .....                               | 3-32 |
| Fig. 17 – Vacuum Wand Kit .....                              | 3-34 |
| Fig. 18 – Telemetry Group .....                              | 3-36 |
| Fig. 19 – Battery Group, 36V 360Ah .....                     | 3-38 |
| Fig. 20 – Battery Charger Group .....                        | 3-40 |
| Fig. 21 – Battery Charger Group,<br>International Only ..... | 3-41 |
| Fig. 22 – Battery Charger Group .....                        | 3-42 |
| Fig. 23 – On-Board Charger Kit .....                         | 3-44 |
| Fig. 24 – On-Board Charger Group,<br>International .....     | 3-46 |
| Fig. 25 – Flow-Rite™ Battery Water Manifold Kit              | 3-48 |
| Fig. 26 – Hydrolink® Battery Watering<br>System Kit .....    | 3-49 |
| Fig. 27 – Fire Extinguisher Group .....                      | 3-50 |
| Fig. 28 – Transport Group .....                              | 3-51 |
| Fig. 29 – Documentation Group .....                          | 3-52 |

# OPTIONS

Fig. 1 - Headlight Group

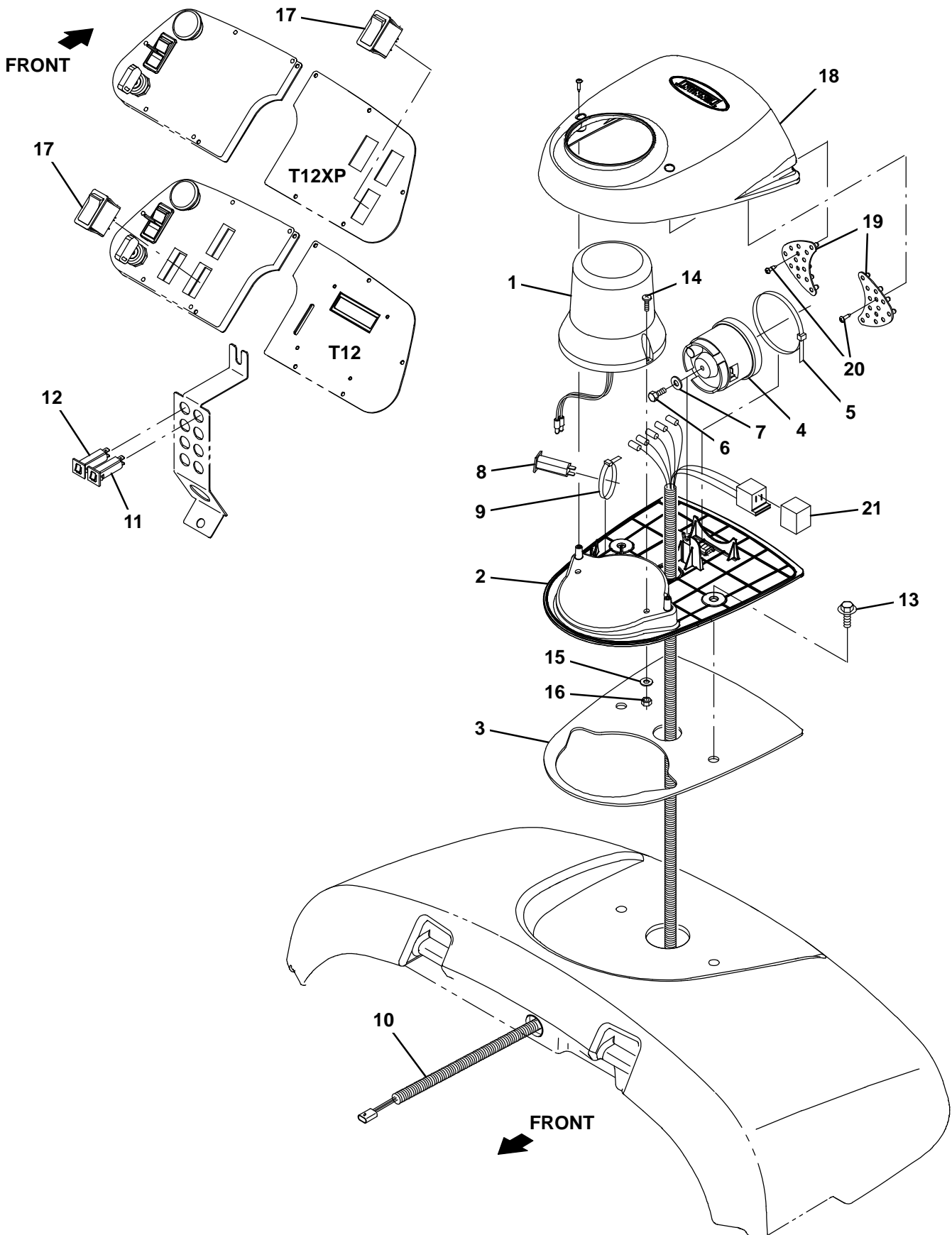


**Fig. 1 – Headlight Group**

| <b>Ref.</b> | <b>Part No.</b> | <b>Serial Number</b> | <b>Description</b>                      | <b>Qty.</b> |
|-------------|-----------------|----------------------|---|-------------|
| 1           | 1202870         | (10000000–19999999 ) | Bezel, Headlight, Lh [W/Inserts]        | 1           |
| 2           | 1202892         | (10000000–19999999 ) | Bezel, Headlight, Rh [W/Inserts]        | 1           |
| 3           | 9008182         | (10000000–19999999 ) | Light Assy, Pre–Sweep, Afmkt            | 2           |
| 4           | 06920           | (10000000–19999999 ) | Screw, Pan, Phl, M3 X 0.50 X 10, 4.8    | 6           |
| 5           | 140825          | (10000000–19999999 ) | Screw, Pan, Phl, 06 X 0.50, Fmg/Ab, Blk | 6           |
| 6           | 1064184         | (10000000–19999999 ) | Circuitbreaker, 02.5a, Resetable        | 1           |
| 7           | 1064188         | (10000000–19999999 ) | Circuitbreaker, 15.0a, Resetable        | 1           |
| 8           | 377084          | (10000000–19999999 ) | Switch, Rocker, Prgrsv                  | 1           |

# OPTIONS

## Fig. 2 - Strobe Light and Backup Alarm Kit



**Fig. 2 – Strobe Light and Backup Alarm Kit**

|    | <b>Ref.</b> | <b>Part No.</b> | <b>Serial Number</b> | <b>Description</b>                      | <b>Qty.</b> |
|----|-------------|-----------------|----------------------|---|-------------|
| ▽  |             | 9010353         | (10000000–19999999 ) | Light kit, Strobe, Module, Ci [T12]     | 1           |
| ▲▽ | 1           | 83159           | (10000000–19999999 ) | Light, Strobe, Amb, 12–48vdc, Rwk       | 1           |
| ▲▲ |             | 9000845         | (10000000–19999999 ) | Lamp, Bulb, Strobe                      | 1           |
| ▲▲ |             | 9000879         | (10000000–19999999 ) | Lens, Amb, F/ Revl / Flasher            | 1           |
| ▲  | 2           | 1059938         | (10000000–19999999 ) | Base, Module, Light                     | 1           |
| ▲  | 3           | 1063263         | (10000000–19999999 ) | Gasket, Base, Module                    | 1           |
| ▲  | 4           | 1058694         | (10000000–19999999 ) | Alarm, Backup, 12–48vdc, Adj            | 1           |
| ▲  | 5           | 49263           | (10000000–19999999 ) | Tie, Cable, Nyl, 11.4l .19w 3.0 Max D   | 1           |
| ▲  | 6           | 19315           | (10000000–19999999 ) | Screw, Hex, .25–20 X 0.50, G5           | 1           |
| ▲  | 7           | 32483           | (10000000–19999999 ) | Washer, Flat, 0.25, Sae                 | 1           |
| ▲  | 8           | 1064184         | (10000000–19999999 ) | Circuitbreaker, 02.5a, Resetable        | 1           |
| ▲  | 9           | 49266           | (10000000–19999999 ) | Tie, Cable, Nyl, 07.3l .19w 1.8 Max D   | 1           |
| ▲  | 10          | 1056979         | (10000000–19999999 ) | Harness, Wire, Alarm / Light [T16]      | 1           |
| ▲  | 11          | 1064184         | (10000000–19999999 ) | Circuitbreaker, 02.5a, Resetable        | 1           |
| ▲  | 12          | 1064188         | (10000000–19999999 ) | Circuitbreaker, 15.0a, Resetable        | 1           |
| ▲  | 13          | 1020341         | (10000000–19999999 ) | Screw, Hex, M8 X 1.25 X 20, Ss, Sems    | 2           |
| ▲  | 14          | 06933           | (10000000–19999999 ) | Screw, Pan, Phl, M5 X 0.80 X 16, 4.8    | 2           |
| ▲  | 15          | 19066           | (10000000–19999999 ) | Washer, Flat, 0.25b 0.56d .05, Pl, 10   | 2           |
| ▲  | 16          | 06549           | (10000000–19999999 ) | Nut, Hex, Lock, M5 X 0.80, NI           | 2           |
| ▲  | 17          | 377084          | (10000000–19999999 ) | Switch, Rocker, Prgrsv                  | 1           |
| ▲  | 18          | 1062106         | (10000000–19999999 ) | Cover, Module, Light                    | 1           |
| ▲  | 19          | 1059342         | (10000000–19999999 ) | Light Assy, Led                         | 1           |
| ▲  | 20          | 222267          | (10000000–19999999 ) | Screw, Pan, Phl, 06–20 X 0.50, Fmg/Ab   | 6           |
| ▲  | 21          | 398526          | (10000000–19999999 ) | Relay, 36Vdc, 005A, Spdt No [Greenwich] | 6           |
|    |             | 1027798         | (10000000–19999999 ) | Lens, Red, F/ Revl / Flasher            | 1           |
|    |             | 1027800         | (10000000–19999999 ) | Lens, Blu, F/ Revl / Flasher            | 1           |

# OPTIONS

Fig. 3 – Strobe Light Kit, Overhead Guard

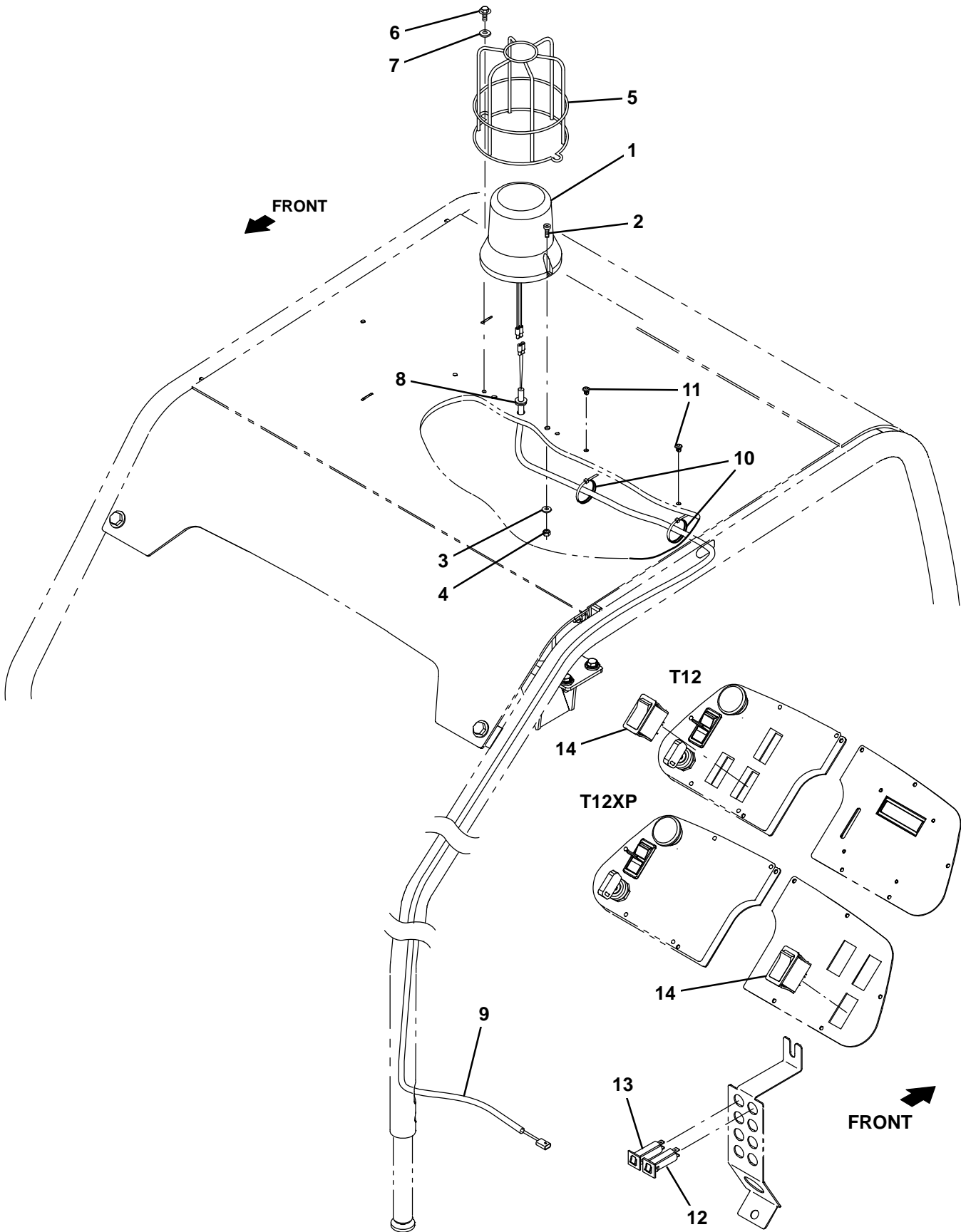


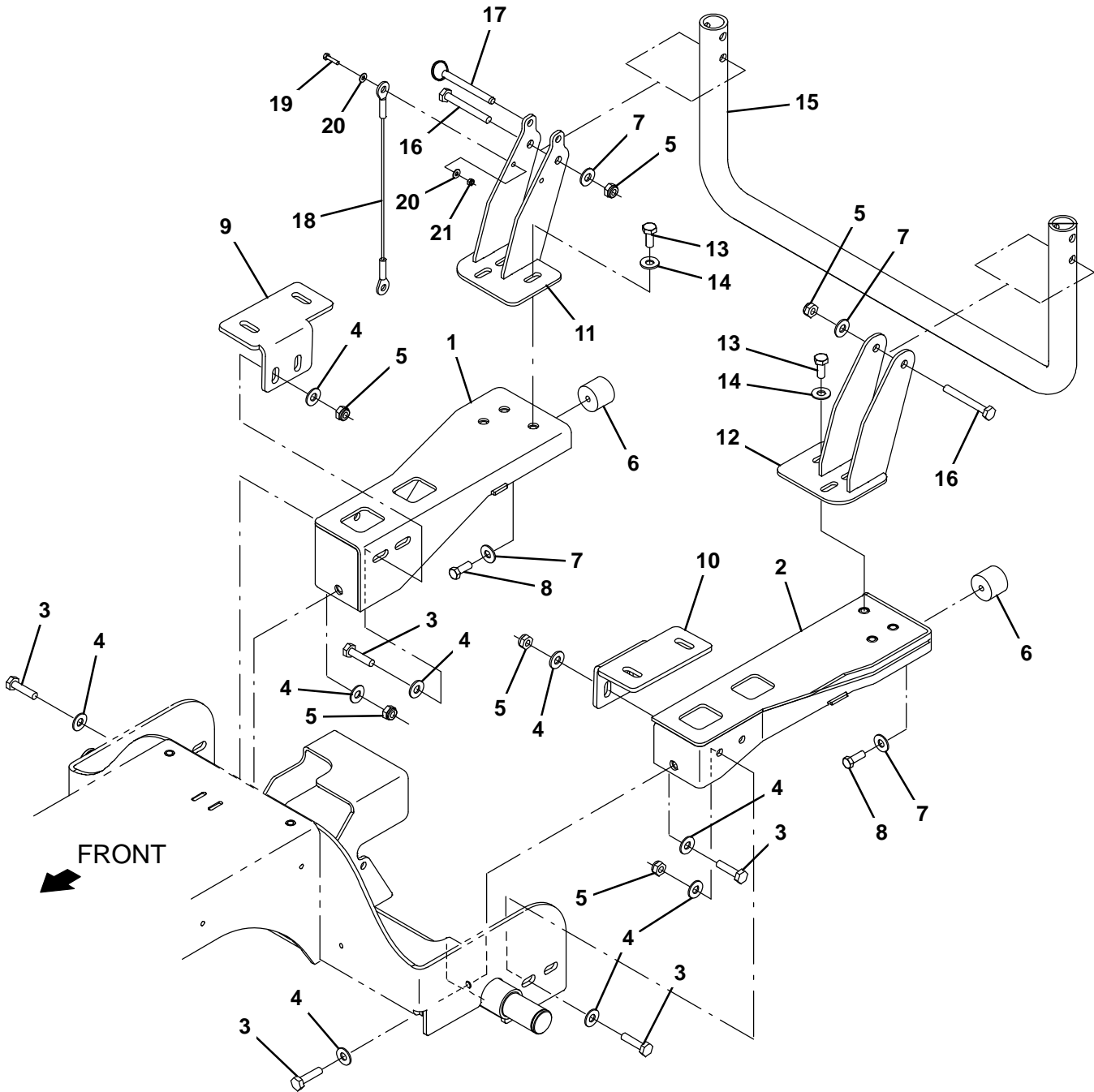


Fig. 3 – Strobe Light Kit, Overhead Guard

| Ref. | Part No.   | Serial Number        | Description                              | Qty. |
|------|------------|----------------------|--|------|
| ▽    | 9010351    | (10000000-19999999 ) | Light Kit, Warning, Ohg, Ci [T12]        | 1    |
| ▲▽   | 1 83159    | (10000000-19999999 ) | Light, Strobe, Amb, 12-48vdc, Rwk        | 1    |
| ▲▲   | 9000845    | (10000000-19999999 ) | Lamp, Bulb, Strobe                       | 1    |
| ▲▲   | 9000879    | (10000000-19999999 ) | Lens, Amb, F/ Revl / Flasher             | 1    |
| ▲    | 2 06933    | (10000000-19999999 ) | Screw, Pan, Phl, M5 X 0.80 X 16, 4.8     | 2    |
| ▲    | 3 19066    | (10000000-19999999 ) | Washer, Flat, 0.25b 0.56d .05, Pl, 10    | 2    |
| ▲    | 4 06549    | (10000000-19999999 ) | Nut, Hex, Lock, M5 X 0.80, NI            | 2    |
| ▲    | 5 1039392  | (10000000-19999999 ) | Guard, Light, Revl / Strobe              | 1    |
| ▲    | 6 74455    | (10000000-19999999 ) | Screw, Hex, M6 X 1.00 X 12, Fmg          | 2    |
| ▲    | 7 32490    | (10000000-19999999 ) | Washer, Flat, 0.25, Std                  | 2    |
| ▲    | 8 10632-2  | (10000000-19999999 ) | Grommet, Rbr, 0.62id, F/0.9h, .12 Matl   | 1    |
| ▲    | 9 1069746  | (10000000-19999999 ) | Harness, Ele, Ohg [T12]                  | 1    |
| ▲    | 10 130773  | (10000000-19999999 ) | Tie, Cable, Nyl, 11.0l, .14w, 3.0 Max. D | 2    |
| ▲    | 11 1202868 | (10000000-19999999 ) | Clip, Tie, 0.25d, Plstc                  | 2    |
| ▲    | 12 1064184 | (10000000-19999999 ) | Circuitbreaker, 02.5a, Resetable         | 1    |
| ▲    | 13 1064188 | (10000000-19999999 ) | Circuitbreaker, 15.0a, Resetable         | 1    |
| ▲    | 14 377084  | (10000000-19999999 ) | Switch, Rocker, Prgrsv                   | 1    |
|      | 1027798    | (10000000-19999999 ) | Lens, Red, F/ Revl / Flasher             | 1    |
|      | 1027800    | (10000000-19999999 ) | Lens, Blu, F/ Revl / Flasher             | 1    |

# OPTIONS

Fig. 4 - Squeegee Guard Group

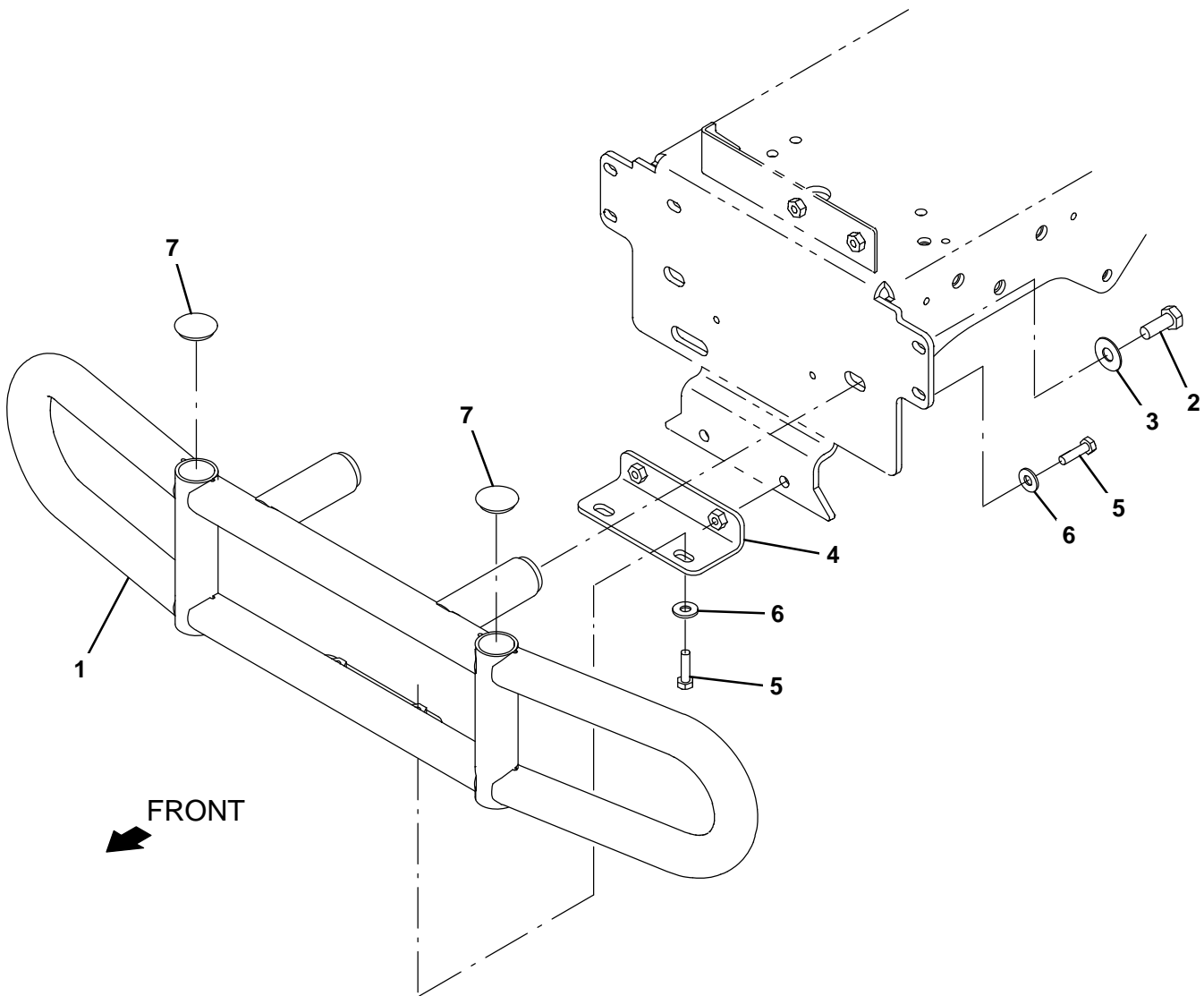


**Fig. 4 – Squeegee Guard Group**

| Ref. | Part No. | Serial Number        | Description                           | Qty. |
|------|----------|----------------------|---------------------------------------|------|
| 1    | 1201496  | (10000000-19999999 ) | Channel Wldt, Bumper, Rh              | 1    |
| 2    | 1201503  | (10000000-19999999 ) | Channel Wldt, Bumper, Lh              | 1    |
| 3    | 12317    | (10000000-19999999 ) | Screw, Hex, M10 X 1.50 X 30, Ss       | 10   |
| 4    | 01686    | (10000000-19999999 ) | Washer, Flat, 0.44b 1.00d .08, Ss     | 18   |
| 5    | 08714    | (10000000-19999999 ) | Nut, Hex, Lock, M10 X 1.5, NI, Ss     | 8    |
| 6    | 1024977  | (10000000-19999999 ) | Bumper, Ure, 1.50d 1.25l              | 2    |
| 7    | 32492    | (10000000-19999999 ) | Washer, Flat, 0.38, Std               | 4    |
| 8    | 69225    | (10000000-19999999 ) | Screw, Hex, .38-16 X 1.00, Ss         | 2    |
| 9    | 1201499  | (10000000-19999999 ) | Bracket, Support, Tank, Rh            | 1    |
| 10   | 1201504  | (10000000-19999999 ) | Bracket, Support, Tank, Lh            | 1    |
| 11   | 1202246  | (10000000-19999999 ) | Support Wldt, Guard, Rh               | 1    |
| 12   | 1202247  | (10000000-19999999 ) | Support Wldt, Guard, Lh               | 1    |
| 13   | 09028    | (10000000-19999999 ) | Screw, Hex, M10 X 1.50 X 25, Ss       | 6    |
| 14   | 01685    | (10000000-19999999 ) | Washer, Flat, 0.38b 0.88d .08, Ss     | 6    |
| 15   | 1204847  | (10000000-19999999 ) | Tube, Guard, Pntd                     | 1    |
| 16   | 06965    | (10000000-19999999 ) | Screw, Hex, M10 X 1.50 X 80, 8.8      | 2    |
| 17   | 369359   | (10000000-19999999 ) | Pin, Hitch, .375d X 3.12l, PI         | 1    |
| 18   | 19676    | (10000000-19999999 ) | Cable, Glv .09d 013.0l .38eye /.38eye | 1    |
| 19   | 09252    | (10000000-19999999 ) | Screw, Hex, M5 X 0.80 X 20, 8.8       | 1    |
| 20   | 01683    | (10000000-19999999 ) | Washer, Flat, 10, Ss                  | 2    |
| 21   | 09739    | (10000000-19999999 ) | Nut, Hex, Lock, M5 X 0.80, NI, Ss     | 1    |

## OPTIONS

Fig. 5 - Heavy Duty Bumper Kit



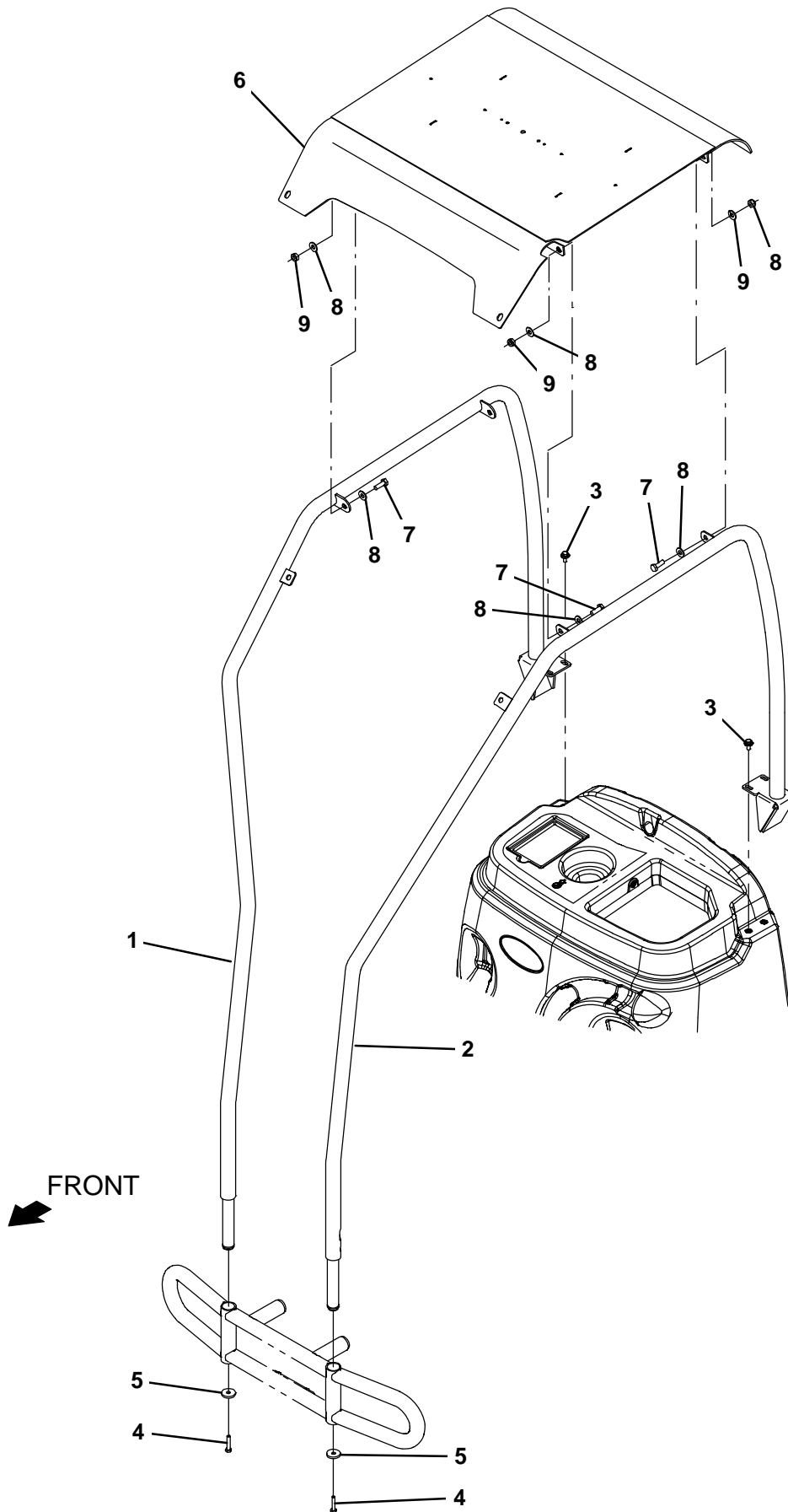
**Fig. 5 – Heavy Duty Bumper Kit**

*NOTE: Overhead Guard Kit (including Heavy Duty Bumper), Tennant Part Number 9009861, includes; Fig. 5 and Fig. 6.*

|   | <b>Ref.</b> | <b>Part No.</b> | <b>Serial Number</b> | <b>Description</b>                  | <b>Qty.</b> |
|---|-------------|-----------------|----------------------|-------------------------------------|-------------|
| ▽ |             | 9009857         | (10000000–19999999 ) | Bumper Kit, Front, Hd, Ci [T12]     | 1           |
| ▲ | 1           | 1201452         | (10000000–19999999 ) | Tube Wldt, Bmpr                     | 1           |
| ▲ | 2           | 12309           | (10000000–19999999 ) | Screw, Hex, M12 X 1.75 X 30, Ss     | 2           |
| ▲ | 3           | 140045          | (10000000–19999999 ) | Washer, Flat, 0.51b 1.25d .06, Ss   | 2           |
| ▲ | 4           | 1201061         | (10000000–19999999 ) | Bracket Wldt, Bumper                | 1           |
| ▲ | 5           | 09011           | (10000000–19999999 ) | Screw, Hex, M8 X 1.25 X 30, Ss      | 4           |
| ▲ | 6           | 01685           | (10000000–19999999 ) | Washer, Flat, 0.38b 0.88d .08, Ss   | 4           |
| ▲ | 7           | 1010399         | (10000000–19999999 ) | Plug, Hole, Rnd, 1.25h .18, Blk Stl | 2           |

# OPTIONS

Fig. 6 - Overhead Guard Kit



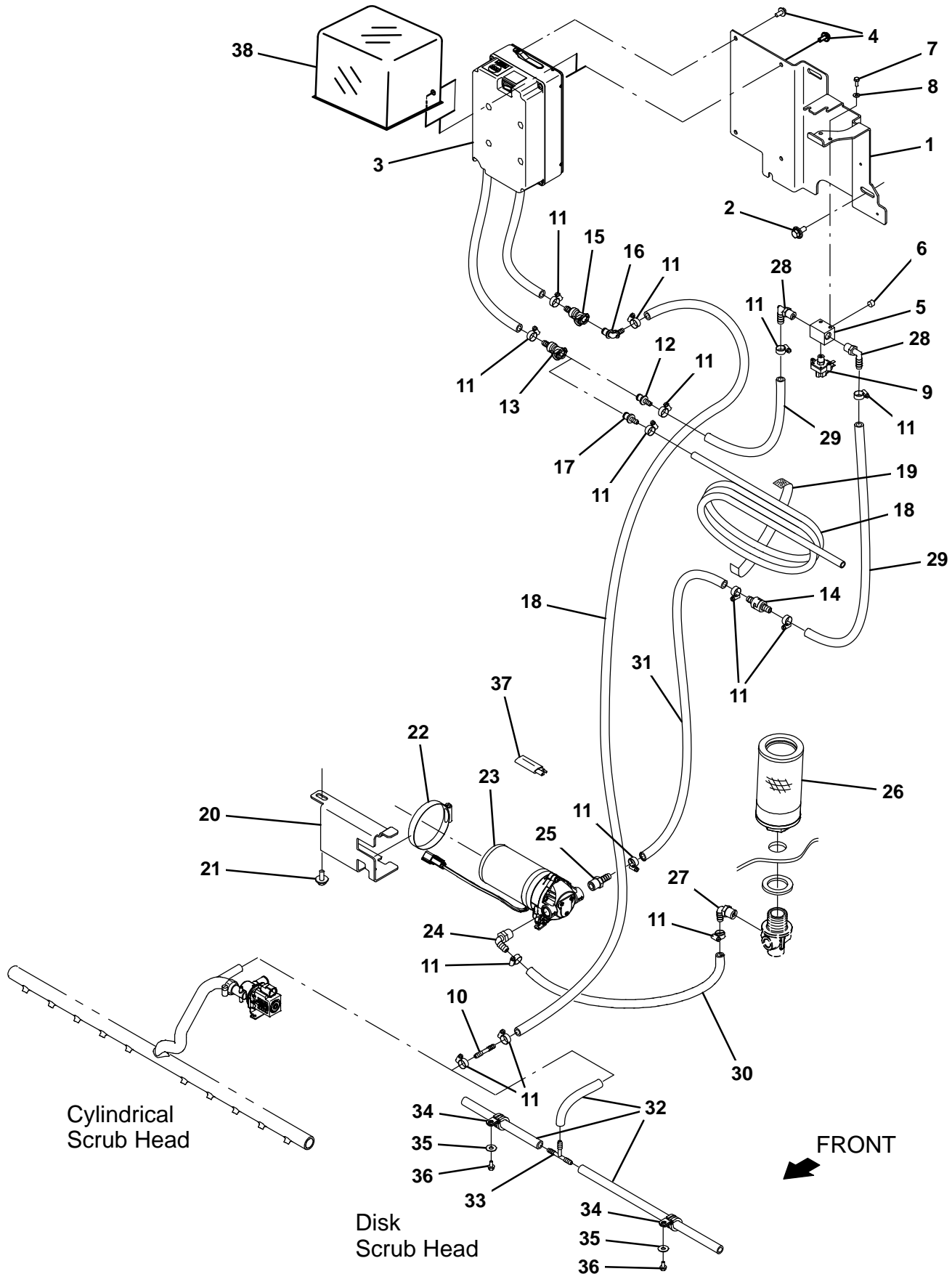
**Fig. 6 – Overhead Guard Kit**

*NOTE: Overhead Guard Kit (including Heavy Duty Bumper), Tennant Part Number 9009861, includes; Fig. 5 and Fig. 6.*

|   | <b>Ref.</b> | <b>Part No.</b> | <b>Serial Number</b> | <b>Description</b>                     | <b>Qty.</b> |
|---|-------------|-----------------|----------------------|--|-------------|
| ▽ |             | 9009848         | (10000000–19999999 ) | Ohg Kit W/O Bumper, Ci [T12]           | 1           |
| ▲ | 1           | 1201550         | (10000000–19999999 ) | Tube Wldt, Guard, Rh                   | 1           |
| ▲ | 2           | 1201357         | (10000000–19999999 ) | Tube Wldt, Guard, Lh                   | 1           |
| ▲ | 3           | 1020341         | (10000000–19999999 ) | Screw, Hex, M8 X 1.25 X 20, Ss, Sems   | 4           |
| ▲ | 4           | 04375           | (10000000–19999999 ) | Screw, Hex, M8 X 1.25 X 40, 8.8, FI    | 2           |
| ▲ | 5           | 46983           | (10000000–19999999 ) | Washer, Flat, 0.39b 1.38d .19, Stl, PI | 2           |
| ▲ | 6           | 1201247         | (10000000–19999999 ) | Guard Wldt, Top, Ohg                   | 1           |
| ▲ | 7           | 03192           | (10000000–19999999 ) | Screw, Hex, M10 X 1.50 X 30, 8.8       | 4           |
| ▲ | 8           | 32492           | (10000000–19999999 ) | Washer, Flat, 0.38, Std                | 8           |
| ▲ | 9           | 41430           | (10000000–19999999 ) | Nut, Hex, Lock, M10 X 1.5, NI          | 4           |

**OPTIONS**

**Fig. 7 - ec-H2O Solution Pump Group**



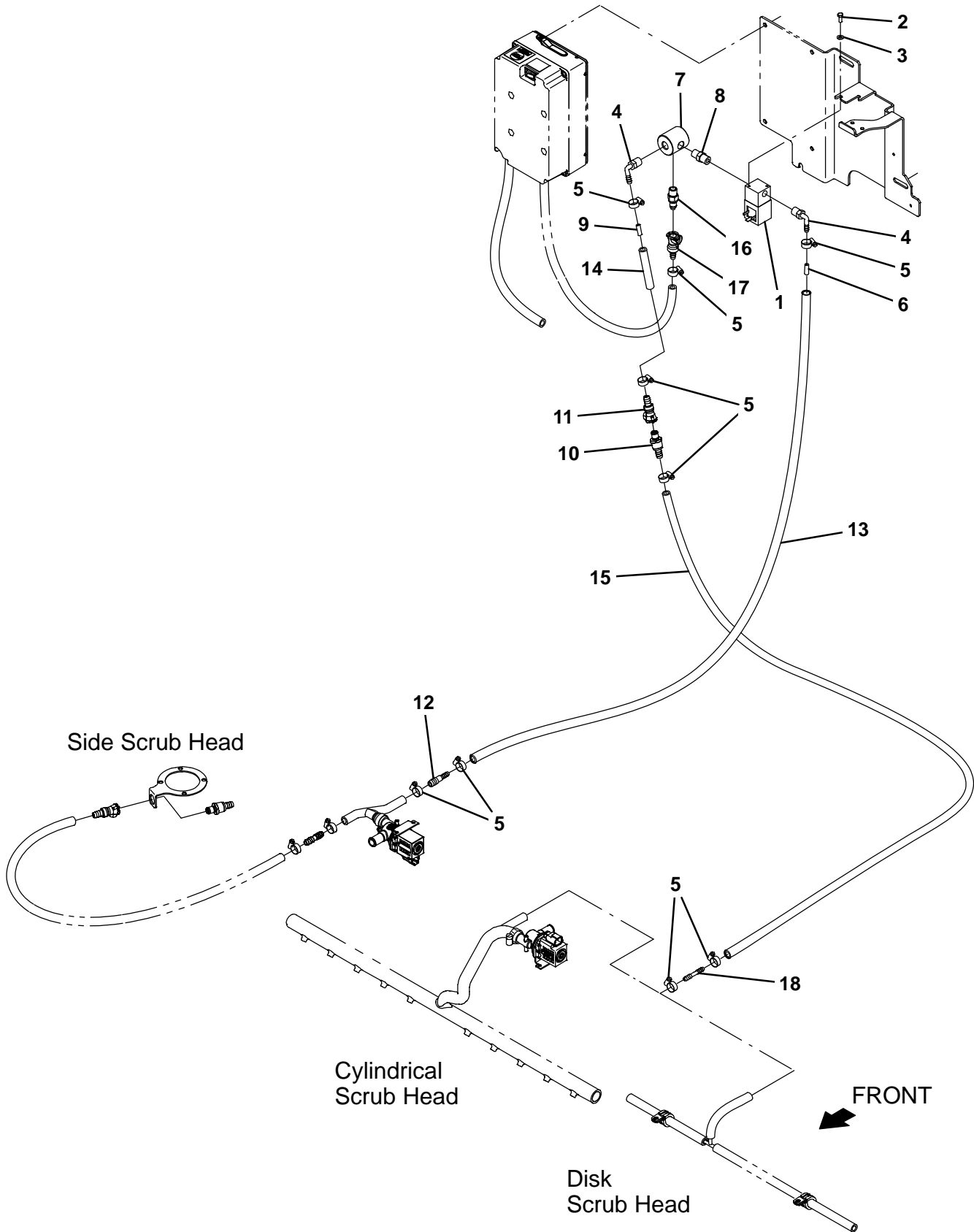


**Fig. 7 - ec-H2O Solution Pump Group**

| Ref. | Part No. | Serial Number        | Description                                | Qty. |
|------|----------|----------------------|--|------|
| 1    | 1200161  | (10000000-19999999 ) | Bracket, Soltn [Ec-H2o]                    | 1    |
| 2    | 1020341  | (10000000-19999999 ) | Screw, Hex, M8 X 1.25 X 20, Ss, Sems       | 3    |
| 3    | 9010933  | (10000000-19999999 ) | Ech20 Module, Afmkt [T12] (See Breakdowns) | 1    |
| 4    | 1034731  | (10000000-19999999 ) | Screw, Hex, M6 X 1.00 X 16, Ss, Sems       | 4    |
| 5    | 1059231  | (10000000-19999999 ) | Fitting, Stl, Pm04/Pm02/Pm04/Pm02, Spcl    | 1    |
| 6    | 150208   | (10000000-19999999 ) | Fitting, Brs, Str, Pm02, Plug [Skhd]       | 1    |
| 7    | 09738    | (10000000-19999999 ) | Screw, Hex, M5 X 0.80 X 12, Ss             | 2    |
| 8    | 140011   | (10000000-19999999 ) | Washer, Flat, 0.21b 0.45d .03, Ss          | 2    |
| 9    | 1044415  | (10000000-19999999 ) | Switch, Press, 20psi, Pm02                 | 1    |
| 10   | 1052705  | (10000000-19999999 ) | Fitting, Plstc, Str, Bm04/Bm04             | 2    |
| 11   | 43844    | (10000000-19999999 ) | Clamp, Hose, Wormdrive, 0.25-0.62d, .31w   | 14   |
| 12   | 1203814  | (10000000-19999999 ) | Fitting, Plstc, Str, Bm06, Cplg, Male      | 1    |
| 13   | 1203454  | (10000000-19999999 ) | Fitting, Plstc, Str, Bm06, Cplg, Fem       | 1    |
| 14   | 1015455  | (10000000-19999999 ) | Valve, Check, 0005psi Bm06/Bm06            | 1    |
| 15   | 1203996  | (10000000-19999999 ) | Fitting, Plstc, Str, Bm05, Cplg, Fem       | 1    |
| 16   | 1204024  | (10000000-19999999 ) | Fitting, Plstc, E90, Bm04 Cplg Male        | 1    |
| 17   | 1204338  | (10000000-19999999 ) | Fitting, Plstc, Str, Bm04, Cplg, Male      | 1    |
| 18   | 1206779  | (10000000-19999999 ) | Hose, Afmkt, Pvc, Brd, 0.25ld, 08Ft        | 2    |
| 19   | 1059534  | (10000000-19999999 ) | Fastener, 09.00l [Hook & Loop]             | 1    |
| 20   | 1201310  | (10000000-19999999 ) | Bracket, Pump, Soltn                       | 1    |
| 21   | 1020341  | (10000000-19999999 ) | Screw, Hex, M8 X 1.25 X 20, Ss, Sems       | 1    |
| 22   | 43555    | (10000000-19999999 ) | Clamp, Hose, Wormdrive, 2.62-3.50d         | 1    |
| 23   | 1200328  | (10000000-19999999 ) | Pump, Soltn, Ele, 36vdc, 60psi             | 1    |
| 24   | 1005630  | (10000000-19999999 ) | Fitting, Plstc, E90, Bm06/Pm06, Nyl        | 1    |
| 25   | 150538   | (10000000-19999999 ) | Fitting, Plstc, Str, Bm06/Pm06             | 1    |
| 26   | 1201379  | (10000000-19999999 ) | Filter, Soltn, 080 Mesh, Pm12 3.2d 6.0l    | 1    |
| 27   | 1005630  | (10000000-19999999 ) | Fitting, Plstc, E90, Bm06/Pm06, Nyl        | 1    |
| 28   | 57248    | (10000000-19999999 ) | Fitting, Plstc, E90, Bm06/Pm04, Nyl        | 2    |
| 29   | 1014971  | (10000000-19999999 ) | Hose, Afmkt, Pvc, Brd, 0.38id, 01ft, Clr   | 2    |
| 30   | 1006400  | (10000000-19999999 ) | Hose, Afmkt, Pvc, Brd, 0.38id, 03ft, Clr   | 1    |
| 31   | 1014974  | (10000000-19999999 ) | Hose, Afmkt, Pvc, Brd, 0.38id, 02ft, Clr   | 1    |
| 32   | 1206778  | (10000000-19999999 ) | Hose, Afmkt, Pvc, Brd, 0.25ld, 03Ft        | 1    |
| 33   | 150713   | (10000000-19999999 ) | Fitting, Plstc, Tee, Bm04/Bm04/Bm04        | 1    |
| 34   | 1016354  | (10000000-19999999 ) | Clamp, Cable, Ss, 0.50D X 0.50W [Insul]    | 2    |
| 35   | 01684    | (10000000-19999999 ) | Washer, Flat, 0.27B 0.69D .05, Ss          | 2    |
| 36   | 223198   | (10000000-19999999 ) | Screw, Hex, M5 X 0.80 X 10, Fmg            | 2    |
| 37   | 1040868  | (10000000-19999999 ) | Capacitor, Plug [.01 Uf, 200V]             | 1    |
| 38   | 9011663  | (10000000-19999999 ) | Silicone Cap, Afmkt [ec-H2O]               | 1    |

# OPTIONS

Fig. 8 – ec-H2O Solution Supply Group, Side Brush

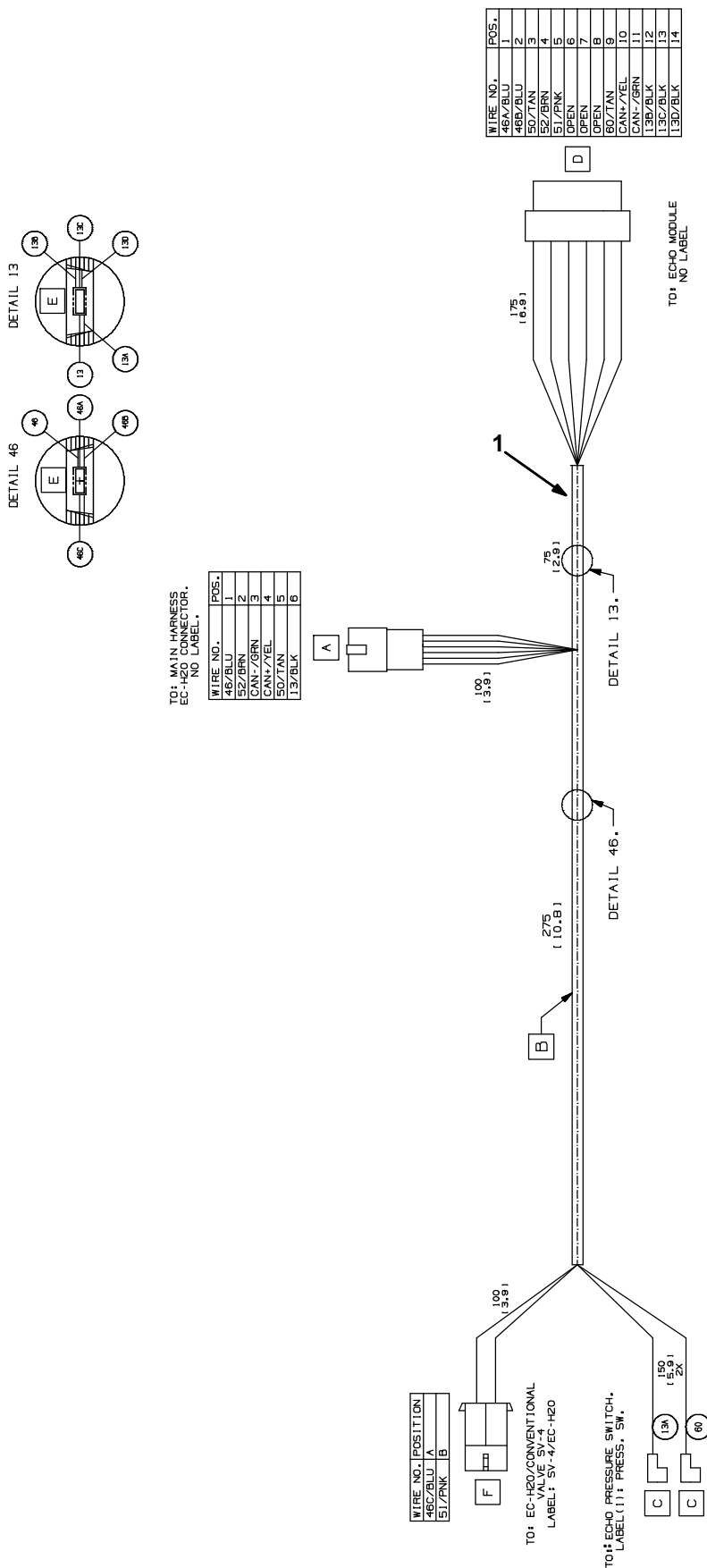


**Fig. 8 – ec–H2O Solution Supply Group, Side Brush**

| <b>Ref.</b> | <b>Part No.</b> | <b>Serial Number</b> | <b>Description</b>                       | <b>Qty.</b> |
|-------------|-----------------|----------------------|--|-------------|
| 1           | 1028581         | (10000000–19999999 ) | Valve, Water, Solenoid, 36vdc 6.0mm Pf04 | 1           |
| 2           | 09738           | (10000000–19999999 ) | Screw, Hex, M5 X 0.80 X 12, Ss           | 2           |
| 3           | 140011          | (10000000–19999999 ) | Washer, Flat, 0.21b 0.45d .03, Ss        | 2           |
| 4           | 1011170         | (10000000–19999999 ) | Fitting, Plstc, E90, Bm04/Pm04, Nyl      | 2           |
| 5           | 43844           | (10000000–19999999 ) | Clamp, Hose, Wormdrive, 0.25–0.62d, .31w | 9           |
| 6           | 1200467         | (10000000–19999999 ) | Fitting, Plstc, Rst                      | 1           |
| 7           | 1200998         | (10000000–19999999 ) | Fitting, Plstc, Pf04/Pf04/Pf04           | 1           |
| 8           | 1052010         | (10000000–19999999 ) | Fitting, Plstc, Str, Pm04/Pm04           | 1           |
| 9           | 1201441         | (10000000–19999999 ) | Fitting, Plstc, Rst, Main Head           | 1           |
| 10          | 1204338         | (10000000–19999999 ) | Fitting, Plstc, Str, Bm04, Cplg, Male    | 1           |
| 11          | 1002898         | (10000000–19999999 ) | Fitting, Plstc, Str, Bm04, Cplg,Fem[Tco] | 1           |
| 12          | 1039557         | (10000000–19999999 ) | Fitting, Plstc, Str, Bm04/Bm06           | 1           |
| 13          | 1014949         | (10000000–19999999 ) | Hose, Afmkt, Pvc, Brd, 0.25Id, 08Ft      | 1           |
| 14          | 1206776         | (10000000–19999999 ) | Hose, Afmkt, Pvc, Brd, 0.25Id, 01Ft      | 1           |
| 15          | 1206779         | (10000000–19999999 ) | Hose, Afmkt, Pvc, Brd, 0.25Id, 08Ft      | 1           |
| 16          | 1002899         | (10000000–19999999 ) | Fitting, Plstc, Str, Pm04, Cplg,Mal[Tco] | 1           |
| 17          | 1203996         | (10000000–19999999 ) | Fitting, Plstc, Str, Bm05, Cplg, Fem     | 1           |
| 18          | 1052705         | (10000000–19999999 ) | Fitting, Plstc, Str, Bm04/Bm04           | 1           |

# OPTIONS

**Fig. 9 – ec-H2O Wire Harness Group**

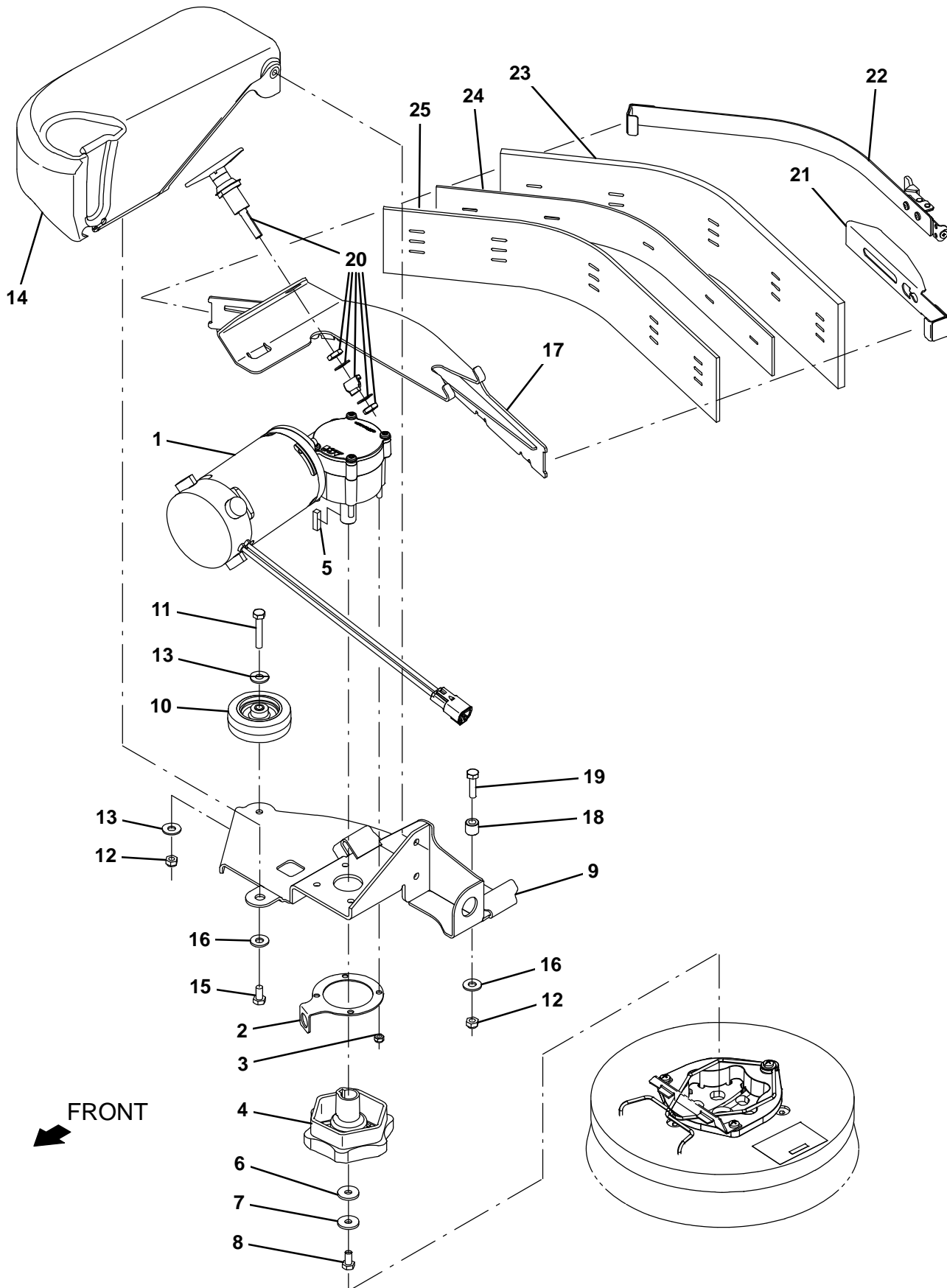


**Fig. 9 – ec-H20 Wire Harness Group**

| <b>Ref.</b> | <b>Part No.</b> | <b>Serial Number</b> | <b>Description</b>         | <b>Qty.</b> |
|-------------|-----------------|----------------------|----------------------------|-------------|
| 1           | 1069671         | (10000000–19999999 ) | Harness, Ele [Ec-H20, T12] | 1           |

# OPTIONS

Fig. 10 – Side Brush Motor and Squeegee Group

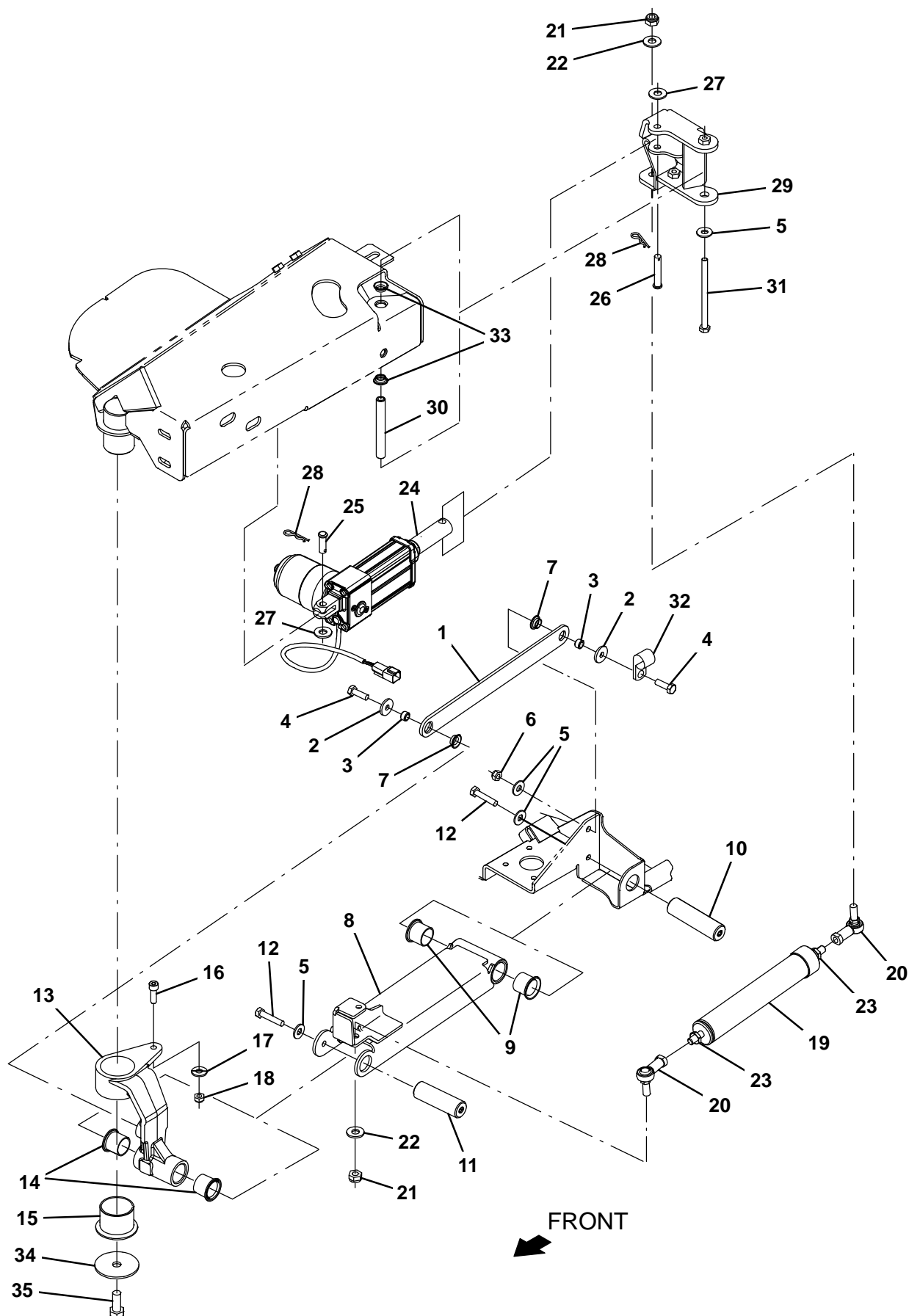


**Fig. 10 – Side Brush Motor and Squeegee Group**

| Ref. | Part No. | Serial Number | Description   | Qty. |
|------|----------|---------------|---|------|
| ▽    | 1        | 1052754       | (10000000–19999999 ) Motor, Ele, 36vdc 0320rpm 0.63hp Gear      | 1    |
| ▲    |          | 9008737       | (10000000–19999999 ) Brush Kit, Motor, 1052754                  | 1    |
|      | 2        | 1203439       | (10000000–19999999 ) Plate, Sppt                                | 1    |
|      | 3        | 08712         | (10000000–19999999 ) Nut, Hex, Lock, M6 X 1.00, NI, Ss          | 4    |
|      | 4        | 377364        | (10000000–19999999 ) Hub, Drive, Brush, Disk, 0.75b [6t]        | 1    |
|      | 5        | 00928         | (10000000–19999999 ) Key, Sq, 0.25 X 0.25, 1.00l                | 1    |
|      | 6        | 1017218       | (10000000–19999999 ) Washer, Flat, 0.32b 1.00d .12, Ss          | 1    |
|      | 7        | 41186         | (10000000–19999999 ) Washer, Flat, Belleville, .31              | 1    |
|      | 8        | 09740         | (10000000–19999999 ) Screw, Hex, M8 X 1.25 X 20, Ss             | 1    |
|      | 9        | 1200417       | (10000000–19999999 ) Plate Wldt, Deck, Sba                      | 1    |
|      | 10       | 1014918       | (10000000–19999999 ) Wheel, 03.0d 0.88w 0.31b, W/ Bshg, Rbr     | 1    |
|      | 11       | 222505        | (10000000–19999999 ) Screw, Hex, M8 X 1.25 X 45, Ss             | 1    |
|      | 12       | 08713         | (10000000–19999999 ) Nut, Hex, Lock, M8 X 1.25, NI, Ss          | 2    |
|      | 13       | 01685         | (10000000–19999999 ) Washer, Flat, 0.38b 0.88d .08, Ss          | 2    |
|      | 14       | 9010929       | (10000000–19999999 ) Cover, Motor, Sba, Afmkt [T12]             | 1    |
|      | 15       | 15675         | (10000000–19999999 ) Screw, Hex, M8 X 1.25 X 16, Ss             | 1    |
|      | 16       | 01685         | (10000000–19999999 ) Washer, Flat, 0.38b 0.88d .08, Ss          | 2    |
|      | 17       | 1201327       | (10000000–19999999 ) Squeegee Wldt, Holder, Sba                 | 1    |
|      | 18       | 80409         | (10000000–19999999 ) Sleeve, P/M, 0.34b 0.63d 0.6l, Bnz         | 1    |
|      | 19       | 09011         | (10000000–19999999 ) Screw, Hex, M8 X 1.25 X 30, Ss             | 1    |
|      | 20       | 1201149       | (10000000–19999999 ) Latch, Compression, Sqge, Sba              | 1    |
|      | 21       | 1201609       | (10000000–19999999 ) Retainer Wldt, Sqge, Sba                   | 1    |
|      | 22       | 1201610       | (10000000–19999999 ) Retainer Wldt, Sqge, Sba, With Latch       | 1    |
|      | 23       | 1201345       | (10000000–19999999 ) Blade, Sqge, Sba, Linatex                  | 1    |
|      | 23       | 1204541       | (10000000–19999999 ) Blade, Sqge, Sba, Urethane (Option)        | 1    |
|      | 23       | 1204543       | (10000000–19999999 ) Blade, Sqge, Sba, Gum (Option)             | 1    |
|      | 24       | 1201344       | (10000000–19999999 ) Spacer, Blade                              | 1    |
|      | 25       | 1201343       | (10000000–19999999 ) Blade, Sqge, Sba, Inner, Linard            | 1    |
|      | 25       | 1204540       | (10000000–19999999 ) Blade, Sqge, Sba, Inner, Urethane (Option) | 1    |
|      | 25       | 1204542       | (10000000–19999999 ) Blade, Sqge, Sba, Inner, Gum (Option)      | 1    |

# OPTIONS

## Fig. 11 - Side Brush Pivot Group



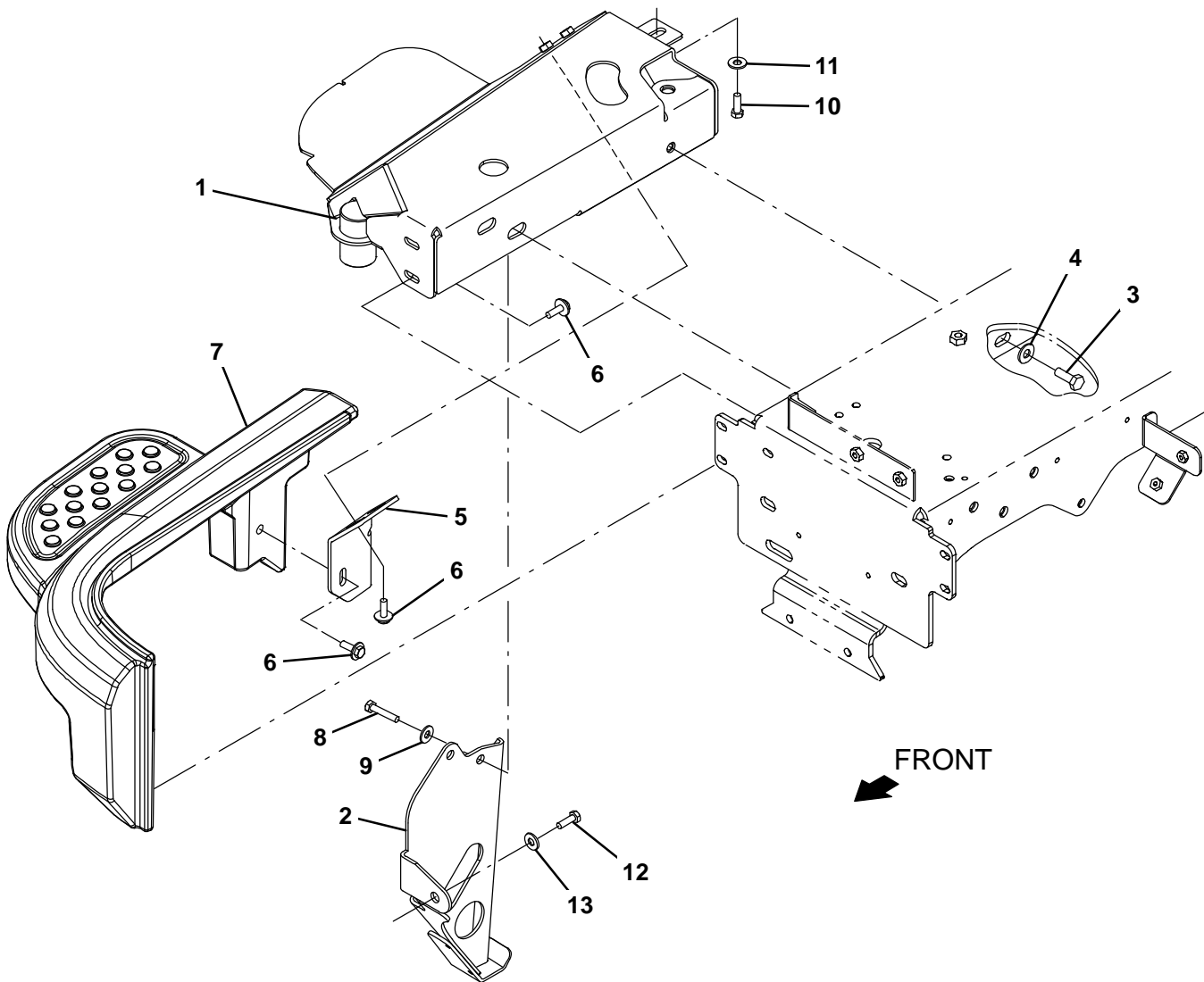


**Fig. 11 – Side Brush Pivot Group**

| Ref. | Part No. | Serial Number | Description  | Qty. |
|------|----------|---------------|--|------|
|      | 1        | 1200939       | (10000000–19999999 ) Link, Upper                             | 1    |
|      | 2        | 1017218       | (10000000–19999999 ) Washer, Flat, 0.32b 1.00d .12, Ss       | 2    |
|      | 3        | 222516        | (10000000–19999999 ) Sleeve, P/M, 0.32b 0.50d 0.3l [430ss]   | 2    |
|      | 4        | 09010         | (10000000–19999999 ) Screw, Hex, M8 X 1.25 X 25, Ss          | 2    |
|      | 5        | 01685         | (10000000–19999999 ) Washer, Flat, 0.38b 0.88d .08, Ss       | 5    |
|      | 6        | 08713         | (10000000–19999999 ) Nut, Hex, Lock, M8 X 1.25, NI, Ss       | 1    |
|      | 7        | 1054662       | (10000000–19999999 ) Bushing, Flng, 0.50b 0.59d 0.25l        | 2    |
| ▽    | 8        | 9011055       | (10000000–19999999 ) Lift channel Kit, Sba, Afmkt [T12]      | 1    |
| ▲    | 9        | 54618         | (10000000–19999999 ) Bushing, Flng, 1.00b 1.13d 1.00l        | 2    |
|      | 10       | 1201137       | (10000000–19999999 ) Pin, Pivot, Sba                         | 1    |
|      | 11       | 1201575       | (10000000–19999999 ) Pin, Pivot, Sba                         | 1    |
|      | 12       | 09026         | (10000000–19999999 ) Screw, Hex, M8 X 1.25 X 40, Ss          | 2    |
| ▽    | 13       | 9011054       | (10000000–19999999 ) Pivot Arm Kit, Sba, Afmkt [T12]         | 1    |
| ▲    | 14       | 54618         | (10000000–19999999 ) Bushing, Flng, 1.00b 1.13d 1.00l        | 2    |
| ▲    | 15       | 1201101       | (10000000–19999999 ) Bushing, Flng, 1.75b 1.94d 1.50l        | 1    |
| ▲    | 16       | 39308         | (10000000–19999999 ) Screw, Soc, M8 X 1.25 X 25, 12.9        | 1    |
| ▲    | 17       | 01685         | (10000000–19999999 ) Washer, Flat, 0.38b 0.88d .08, Ss       | 1    |
| ▲    | 18       | 08713         | (10000000–19999999 ) Nut, Hex, Lock, M8 X 1.25, NI, Ss       | 1    |
| ▽    | 19       | 9010938       | (10000000–19999999 ) Spring Assy, Replmt, Afmkt [T12]        | 1    |
| ▲    | 20       | 05686         | (10000000–19999999 ) Rod–End, M10 X 1.5rh Fem M10 X 1.5stud  | 2    |
| ▲    | 21       | 08714         | (10000000–19999999 ) Nut, Hex, Lock, M10 X 1.5, NI, Ss       | 2    |
| ▲    | 22       | 01686         | (10000000–19999999 ) Washer, Flat, 0.44b 1.00d .08, Ss       | 2    |
| ▲    | 23       | 763064        | (10000000–19999999 ) Nut, Hex, Jam, M10 X 1.5, [Din439]      | 2    |
| ▽    | 24       | 9010941       | (10000000–19999999 ) Actuator Kit, Sba, Afmkt [T12]          | 1    |
| ▲    | 25       | 86240         | (10000000–19999999 ) Pin, Clevis, 0.38d X 1.13l              | 1    |
| ▲    | 26       | 29584         | (10000000–19999999 ) Pin, Clevis, 0.37d X 2.00l              | 1    |
| ▲    | 27       | 01686         | (10000000–19999999 ) Washer, Flat, 0.44b 1.00d .08, Ss       | 2    |
| ▲    | 28       | 44906         | (10000000–19999999 ) Pin, Cotter, Hair, 0.38d .093 Wir       | 2    |
|      | 29       | 1201094       | (10000000–19999999 ) Arm Assy, Lift, Actuator                | 1    |
|      | 30       | 1202694       | (10000000–19999999 ) Sleeve, 0.334b 0.494d 4.00l Stl Pl      | 1    |
|      | 31       | 49883         | (10000000–19999999 ) Screw, Hex, M8 X 1.25 X 120, 8.8, FI    | 1    |
|      | 32       | 07471         | (10000000–19999999 ) Clamp, Cable, Stl, 0.75d X 0.75w, 1hole | 1    |
|      | 33       | 1054662       | (10000000–19999999 ) Bushing, Flng, 0.50b 0.59d 0.25l        | 2    |
|      | 34       | 1200634       | (10000000–19999999 ) Washer, Flat, 0.48b 2.50d .12, Ss       | 1    |
|      | 35       | 12309         | (10000000–19999999 ) Screw, Hex, M12 X 1.75 X 30, Ss         | 1    |

## OPTIONS

Fig. 12 - Side Brush Bumper and Mount Group

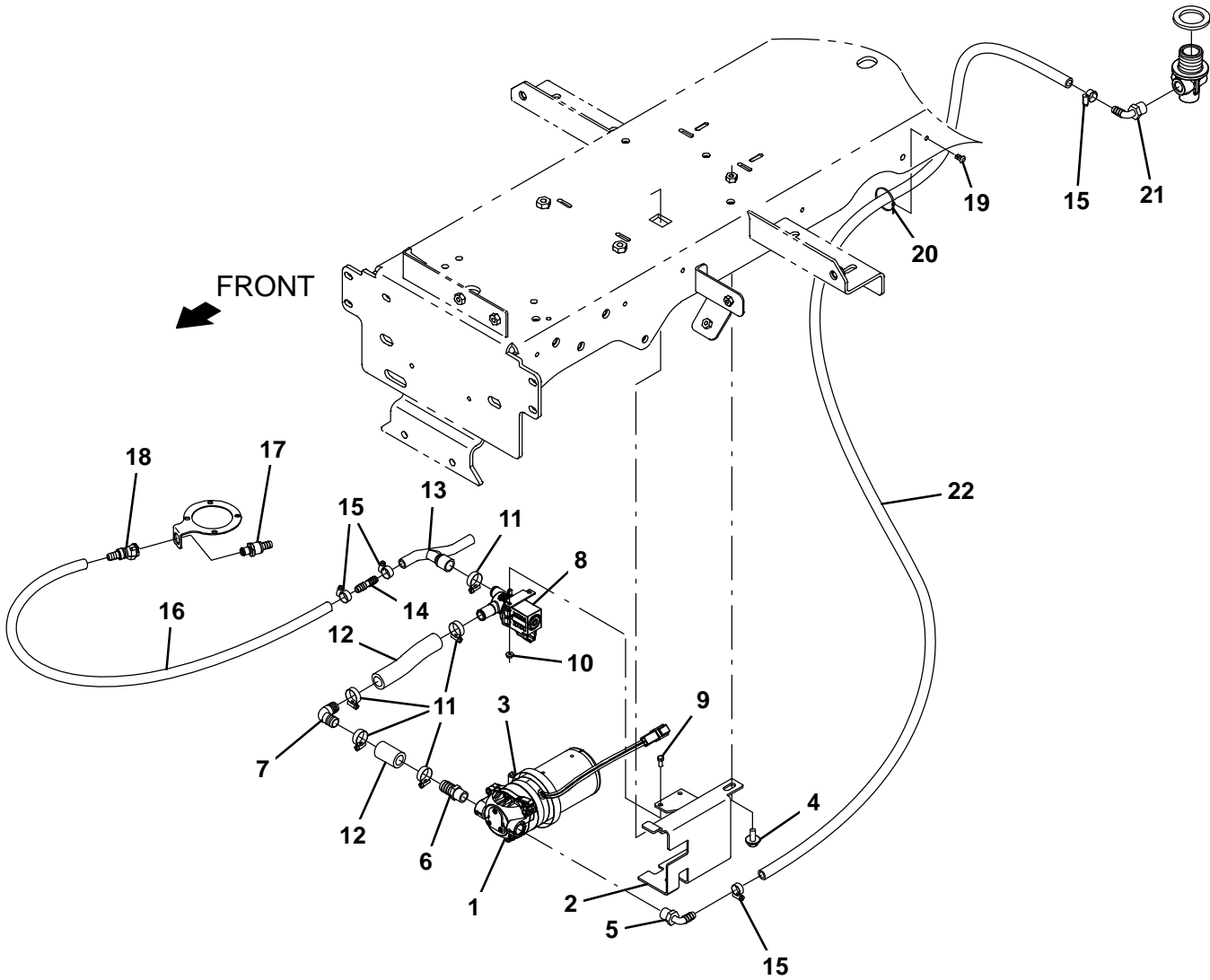


**Fig. 12 – Side Brush Bumper and Mount Group**

| <b>Ref.</b> | <b>Part No.</b> | <b>Serial Number</b> | <b>Description</b>                   | <b>Qty.</b> |
|-------------|-----------------|----------------------|--------------------------------------|-------------|
| 1           | 1200370         | (10000000–19999999 ) | Bracket Wldt, Mount, Sba             | 1           |
| 2           | 1202914         | (10000000–19999999 ) | Bracket Wldt, Skid, Anti-Roll        | 1           |
| 3           | 12317           | (10000000–19999999 ) | Screw, Hex, M10 X 1.50 X 30, Ss      | 1           |
| 4           | 01686           | (10000000–19999999 ) | Washer, Flat, 0.44b 1.00d .08, Ss    | 1           |
| 5           | 1202521         | (10000000–19999999 ) | Bracket, Sppt, Door                  | 1           |
| 6           | 1020341         | (10000000–19999999 ) | Screw, Hex, M8 X 1.25 X 20, Ss, Sems | 3           |
| 7           | 9010926         | (10000000–19999999 ) | Bumper, Sba, Afmkt [T12]             | 1           |
| 8           | 09028           | (10000000–19999999 ) | Screw, Hex, M10 X 1.50 X 25, Ss      | 2           |
| 9           | 01686           | (10000000–19999999 ) | Washer, Flat, 0.44b 1.00d .08, Ss    | 2           |
| 10          | 09010           | (10000000–19999999 ) | Screw, Hex, M8 X 1.25 X 25, Ss       | 1           |
| 11          | 01685           | (10000000–19999999 ) | Washer, Flat, 0.38b 0.88d .08, Ss    | 1           |
| 12          | 12309           | (10000000–19999999 ) | Screw, Hex, M12 X 1.75 X 30, Ss      | 1           |
| 13          | 140045          | (10000000–19999999 ) | Washer, Flat, 0.51b 1.25d .06, Ss    | 1           |

# OPTIONS

Fig. 13 – Side Brush Solution Supply Group

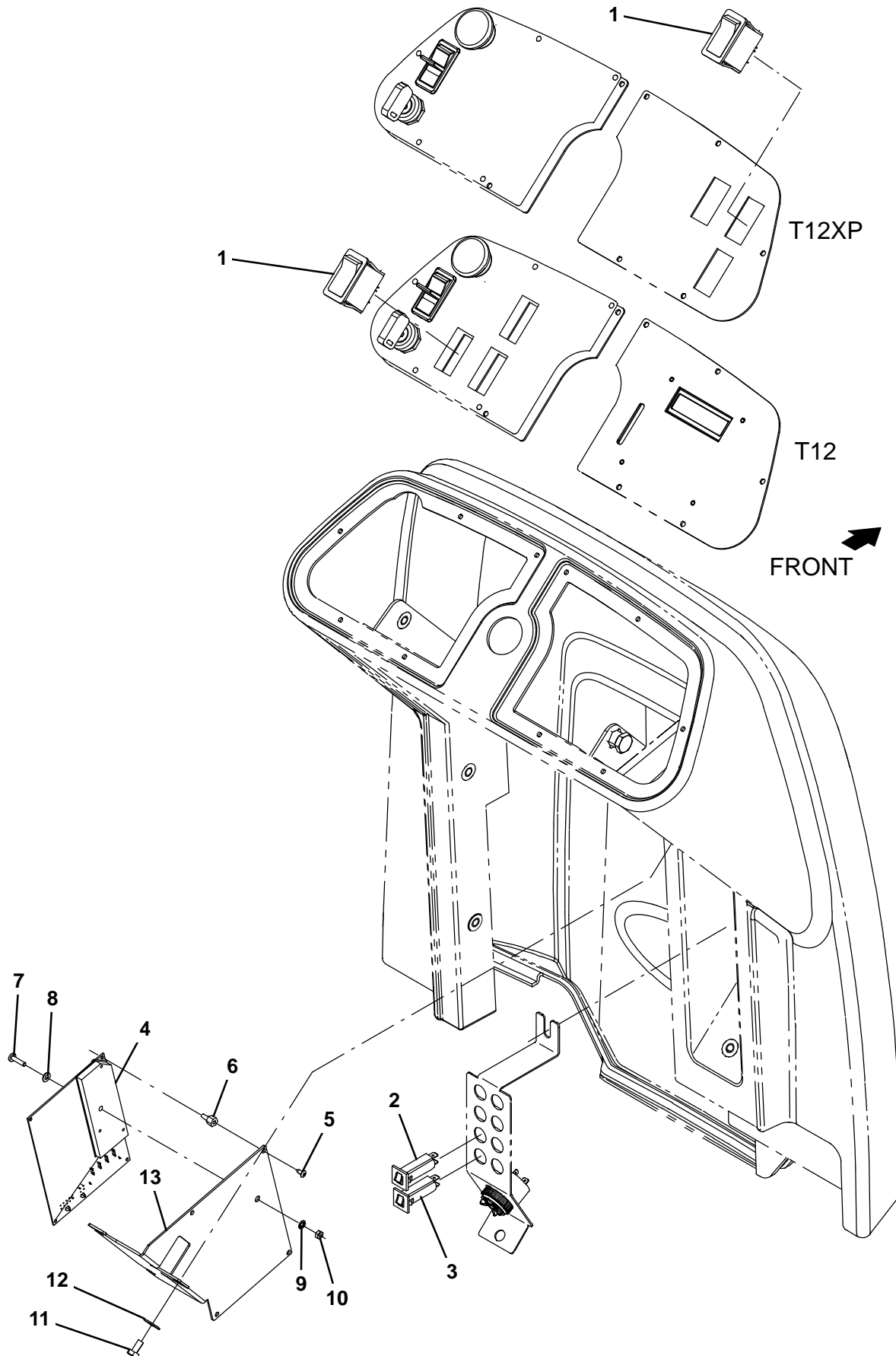


**Fig. 13 – Side Brush Solution Supply Group**

| <b>Ref.</b> | <b>Part No.</b> | <b>Serial Number</b> | <b>Description</b>                       | <b>Qty.</b> |
|-------------|-----------------|----------------------|--|-------------|
| 1           | 1200713         | (10000000–19999999 ) | Pump, Soltn, 36vdc                       | 1           |
| 2           | 1201313         | (10000000–19999999 ) | Bracket, Pump                            | 1           |
| 3           | 43555           | (10000000–19999999 ) | Clamp, Hose, Wormdrive, 2.62–3.50d       | 1           |
| 4           | 1020341         | (10000000–19999999 ) | Screw, Hex, M8 X 1.25 X 20, Ss, Sems     | 1           |
| 5           | 1005630         | (10000000–19999999 ) | Fitting, Plstc, E90, Bm06/Pm06, Nyl      | 1           |
| 6           | 1013900         | (10000000–19999999 ) | Fitting, Plstc, Str, Bm10/Pm06, Nyl      | 1           |
| 7           | 391365          | (10000000–19999999 ) | Fitting, Plstc, E90, Bm10/Bm10           | 1           |
| 8           | 1054795         | (10000000–19999999 ) | Valve, Water, Solenoid, 36vdc Bm12/Bm12  | 1           |
| 9           | 09738           | (10000000–19999999 ) | Screw, Hex, M5 X 0.80 X 12, Ss           | 2           |
| 10          | 07789           | (10000000–19999999 ) | Nut, Hex, Flng, M5 X 0.80                | 2           |
| 11          | 54333           | (10000000–19999999 ) | Clamp, Hose, Wormdrive, 0.31–0.88d, .31w | 5           |
| 12          | 1015033         | (10000000–19999999 ) | Hose, Afmkt, Pvc, Brd, 0.62id, 01ft, Clr | 1           |
| 13          | 1201336         | (10000000–19999999 ) | Manifold, Soltn, Sba                     | 1           |
| 14          | 20950           | (10000000–19999999 ) | Fitting, Plstc, Str, Bm06/Bm06           | 1           |
| 15          | 43844           | (10000000–19999999 ) | Clamp, Hose, Wormdrive, 0.25–0.62d, .31w | 4           |
| 16          | 1006400         | (10000000–19999999 ) | Hose, Afmkt, Pvc, Brd, 0.38id, 03ft, Clr | 2           |
| 17          | 1203438         | (10000000–19999999 ) | Fitting, Plstc, Str, Bm06, Mplg, Male    | 1           |
| 18          | 1203454         | (10000000–19999999 ) | Fitting, Plstc, Str, Bm06, Cplg, Fem     | 1           |
| 19          | 1071085         | (10000000–19999999 ) | Clip, Tie, 0.25d, Plstc                  | 2           |
| 20          | 130773          | (10000000–19999999 ) | Tie, Cable, Nyl, 11.0l, .14w, 3.0 Max. D | 2           |
| 21          | 1005630         | (10000000–19999999 ) | Fitting, Plstc, E90, Bm06/Pm06, Nyl      | 1           |
| 22          | 1014976         | (10000000–19999999 ) | Hose, Afmkt, Pvc, Brd, 0.38id, 08ft, Clr | 1           |

# OPTIONS

Fig. 14 – Side Brush Electrical Group

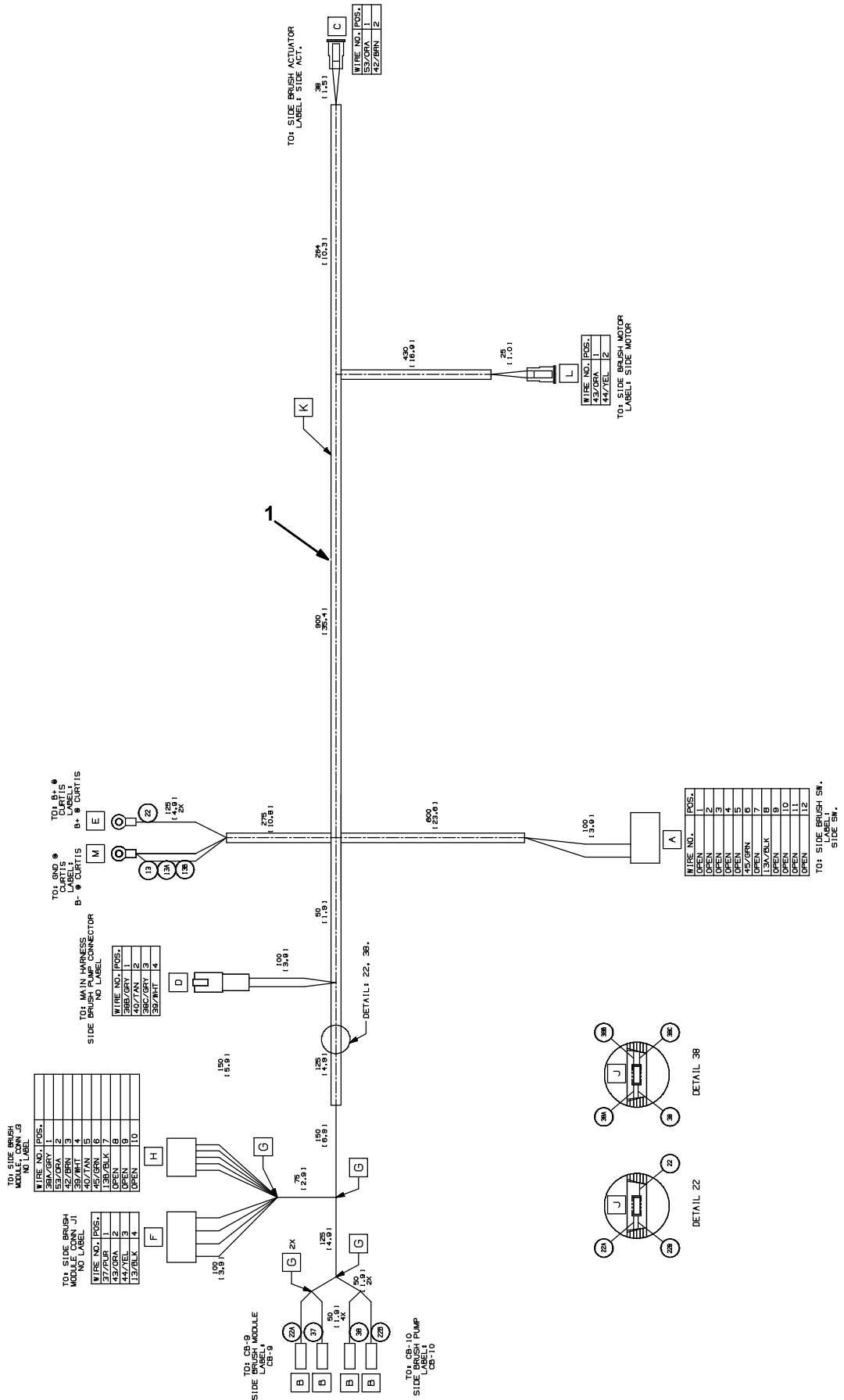


**Fig. 14 – Side Brush Electrical Group**

| <b>Ref.</b> | <b>Part No.</b> | <b>Serial Number</b> | <b>Description</b>                      | <b>Qty.</b> |
|-------------|-----------------|----------------------|---|-------------|
| 1           | 397889          | (10000000–19999999 ) | Switch, Rocker, Dpst, On / None / On    | 1           |
| 2           | 1064184         | (10000000–19999999 ) | Circuitbreaker, 02.5a, Resetable        | 1           |
| 3           | 1064189         | (10000000–19999999 ) | Circuitbreaker, 20.0a, Resetable        | 1           |
| 4           | 9010932         | (10000000–19999999 ) | Circuit Board Kit, H2o_Sba, Afmkt [T12] | 1           |
| 5           | 37016           | (10000000–19999999 ) | Pin, Grvd, 0.75d 01.90l, 1/0.59 [Btwn]  | 4           |
| 6           | 1016825         | (10000000–19999999 ) | Support, Circuitboard                   | 4           |
| 7           | 24265           | (10000000–19999999 ) | Screw, Pan, Phl, M4 X 0.70 X 16, Ss     | 1           |
| 8           | 70246           | (10000000–19999999 ) | Washer, Flat, 0.19b 0.38d .03, Nyl      | 1           |
| 9           | 32978           | (10000000–19999999 ) | Washer, Lock, Int, 08                   | 1           |
| 10          | 1049573         | (10000000–19999999 ) | Nut, Hex, Jam, M4 X 0.70, Ss            | 1           |
| 11          | 09744           | (10000000–19999999 ) | Screw, Hex, M6 X 1.00 X 12, Ss          | 3           |
| 12          | 01684           | (10000000–19999999 ) | Washer, Flat, 0.27b 0.69d .05, Ss       | 3           |
| 13          | 1201164         | (10000000–19999999 ) | Bracket, Circuit Board, Sba             | 1           |

**OPTIONS**

**Fig. 15 – Side Brush Wire Harness Group**



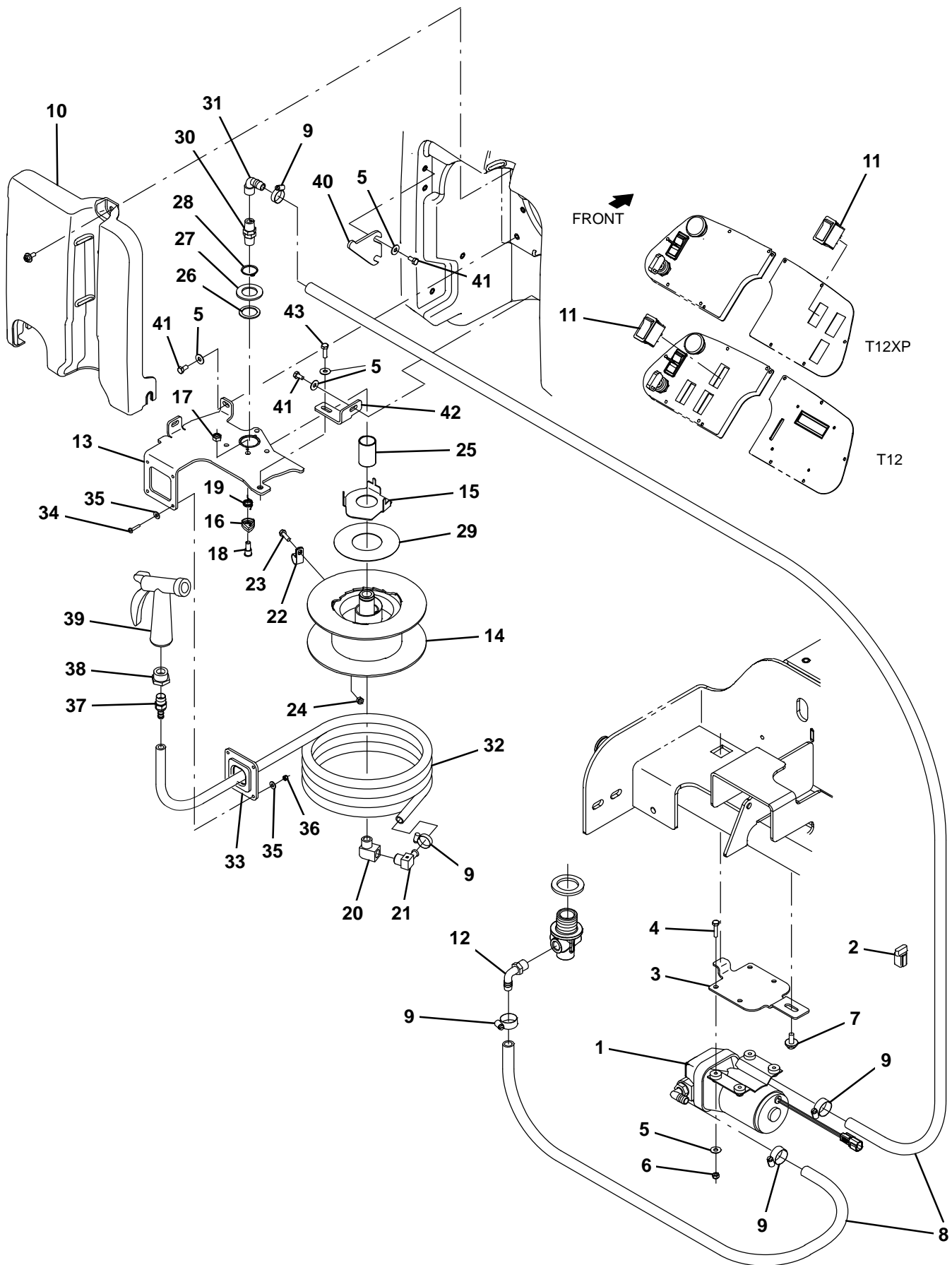


**Fig. 15 – Side Brush Wire Harness Group**

| <b>Ref.</b> | <b>Part No.</b> | <b>Serial Number</b> | <b>Description</b>             | <b>Qty.</b> |
|-------------|-----------------|----------------------|--------------------------------|-------------|
| 1           | 1069639         | (10000000–19999999 ) | Harness, Side Brush, Ele [T12] | 1           |

# OPTIONS

## Fig. 16 - Spray Hose Kit

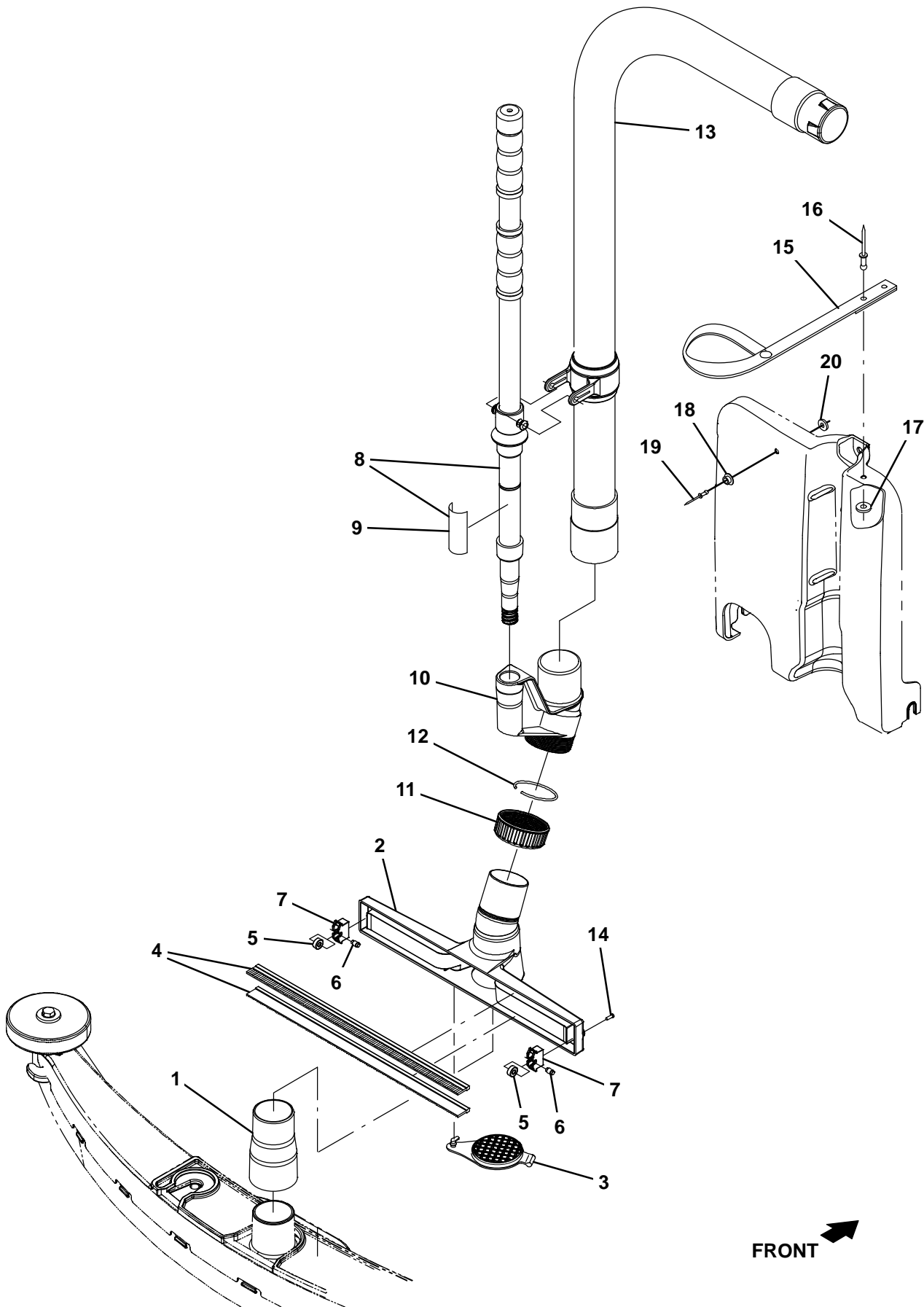


**Fig. 16 – Spray Hose Kit**

| Ref. | Part No.   | Serial Number        | Description                              | Qty. |
|------|------------|----------------------|--|------|
| ▽    | 9009852    | (10000000–19999999 ) | Spray Hose Kit, Ci [T12]                 | 1    |
| ▲    | 1 1054178  | (10000000–19999999 ) | Pump, Soltn, Ele, 36vdc, 45psi           | 1    |
| ▲    | 2 1056982  | (10000000–19999999 ) | Diode, Ele, Plug                         | 1    |
| ▲    | 3 1201314  | (10000000–19999999 ) | Bracket, Pump, Spray                     | 1    |
| ▲    | 4 09007    | (10000000–19999999 ) | Screw, Hex, M6 X 1.00 X 25, Ss           | 4    |
| ▲    | 5 01684    | (10000000–19999999 ) | Washer, Flat, 0.27b 0.69d .05, Ss        | 12   |
| ▲    | 6 08712    | (10000000–19999999 ) | Nut, Hex, Lock, M6 X 1.00, NI, Ss        | 4    |
| ▲    | 7 1020341  | (10000000–19999999 ) | Screw, Hex, M8 X 1.25 X 20, Ss, Sems     | 1    |
| ▲    | 8 9010936  | (10000000–19999999 ) | Hose, Spray, Afmkt [T12]                 | 8    |
| ▲    | 9 54333    | (10000000–19999999 ) | Clamp, Hose, Wormdrive, 0.31–0.88d, .31w | 5    |
| ▲    | 10 1202867 | (10000000–19999999 ) | Cover, Access, Vacfan, Trimmed           | 1    |
| ▲    | 11 398500  | (10000000–19999999 ) | Switch, Rocker, Dpdt, On / None / On     | 1    |
| ▲    | 12 64778   | (10000000–19999999 ) | Fitting, Plstc, E90, Bm08/Pm06           | 1    |
| ▲    | 13 1200239 | (10000000–19999999 ) | Plate Wldt, Mtg, Hose–Reel [Cassoday]    | 1    |
| ▲    | 14 1200313 | (10000000–19999999 ) | Reel Assy, Hose, Small                   | 1    |
| ▲    | 15 1203947 | (10000000–19999999 ) | Washer, Retainer, Spring                 | 1    |
| ▲    | 16 1201393 | (10000000–19999999 ) | Pawl, Ratchet                            | 1    |
| ▲    | 17 08709   | (10000000–19999999 ) | Nut, Hex, Lock, M8 X 1.25, NI            | 1    |
| ▲    | 18 1056719 | (10000000–19999999 ) | Bolt, Shld, .41d X 0.35, M8 X 1.25       | 1    |
| ▲    | 19 1201423 | (10000000–19999999 ) | Spring, Torsion, Hose Reel               | 1    |
| ▲    | 20 24584   | (10000000–19999999 ) | Fitting, Brs, E90, Pf06/Pm06, Spcl       | 1    |
| ▲    | 21 1060128 | (10000000–19999999 ) | Fitting, Brs, E90, Bm06/Pm06, Short      | 1    |
| ▲    | 22 33584   | (10000000–19999999 ) | Clamp, Cable, Stl, 0.63d X 0.50w, 1hole  | 1    |
| ▲    | 23 06943   | (10000000–19999999 ) | Screw, Hex, M6 X 1.00 X 20, 8.8          | 1    |
| ▲    | 24 08708   | (10000000–19999999 ) | Nut, Hex, Lock, M6 X 1.00, NI            | 1    |
| ▲    | 25 1057816 | (10000000–19999999 ) | Bushing, Sleeve, 1.00b 1.13d 1.750l, Fgl | 1    |
| ▲    | 26 1057814 | (10000000–19999999 ) | Washer, Thrust, Plstc 1.02b 1.38d        | 1    |
| ▲    | 27 32598   | (10000000–19999999 ) | Washer, Flat, 1.02b 1.75d .12, Stl       | 1    |
| ▲    | 28 09005   | (10000000–19999999 ) | Ring, Retaining, Ext, 1.00d, Basic       | 1    |
| ▲    | 29 1066919 | (10000000–19999999 ) | Washer, Thrust, 50.0b 110.0d 0.79w       | 1    |
| ▲    | 30 1200394 | (10000000–19999999 ) | Fitting, Swivel, Str, Pm06/Pm06, Brs     | 1    |
| ▲    | 31 47388   | (10000000–19999999 ) | Fitting, Brs, E90, Em08/Pm06             | 1    |
| ▲    | 32 1061087 | (10000000–19999999 ) | Hose, Rbr, 0.38id, Bulk, Blk [Push–Lok]  | 11   |
| ▲    | 33 1200665 | (10000000–19999999 ) | Guide, Hose, Hdpe [Cassoday]             | 1    |
| ▲    | 34 12323   | (10000000–19999999 ) | Screw, Pan, Phl, M4 X 0.70 X 20, Ss      | 4    |
| ▲    | 35 01683   | (10000000–19999999 ) | Washer, Flat, 10, Ss                     | 8    |
| ▲    | 36 33932   | (10000000–19999999 ) | Nut, Hex, Lock, M4 X 0.70, NI, Ss        | 4    |
| ▲    | 37 1060428 | (10000000–19999999 ) | Fitting, Stl, Str, Bm06/Pm06, Swivel     | 1    |
| ▲    | 38 1027976 | (10000000–19999999 ) | Fitting, Brs, Str, Pf06/Pm12             | 1    |
| ▲    | 39 769785  | (10000000–19999999 ) | Nozzle, Spray, Gun                       | 1    |
| ▲    | 40 1201096 | (10000000–19999999 ) | Hook, Nozzle, Hdpe                       | 1    |
| ▲    | 41 09744   | (10000000–19999999 ) | Screw, Hex, M6 X 1.00 X 12, Ss           | 6    |
| ▲    | 42 1200732 | (10000000–19999999 ) | Plate, Mtg, Hose Reel                    | 1    |
| ▲    | 43 08716   | (10000000–19999999 ) | Screw, Hex, M6 X 1.00 X 20, Ss           | 1    |

# OPTIONS

Fig. 17 - Vacuum Wand Kit



FRONT 

**Fig. 17 – Vacuum Wand Kit**

| Ref. | Part No.   | Serial Number        | Description                              | Qty. |
|------|------------|----------------------|--|------|
| ▽    | 9010356    | (10000000–19999999 ) | Wand Kit, Wet, Ci [T12]                  | 1    |
| ▲    | 1 1060536  | (10000000–19999999 ) | Cuff, Adapter, 1.75 X 2.00, Pvc          | 1    |
| ▲    | 2 1060440  | (10000000–19999999 ) | Squeegee, Hand                           | 1    |
| ▲    | 3 1060691  | (10000000–19999999 ) | Plug, Adapter, Port                      | 1    |
| ▲    | 4 1061356  | (10000000–19999999 ) | Retainer, Blade, Sqge, 14.2l (Set of 2)  | 1    |
| ▲    | 5 1061570  | (10000000–19999999 ) | Bearing, Ball, 0.24b 0.51d 0.20w [2seal] | 2    |
| ▲    | 6 1061571  | (10000000–19999999 ) | Pin, Axle, Brg                           | 2    |
| ▲    | 7 1022671  | (10000000–19999999 ) | Housing, Sqge, Holder, Wheel, F/609648   | 2    |
| ▲▽   | 8 9008155  | (10000000–19999999 ) | Handle Kit, Wand, Afmkt                  | 1    |
| ▲▲   | 9 1062659  | (10000000–19999999 ) | Label, Opertnl, Vacuum Wand Handle       | 1    |
| ▲    | 10 1060708 | (10000000–19999999 ) | Adapter, Swivel, 1.75, Abs               | 1    |
| ▲    | 11 1060718 | (10000000–19999999 ) | Nut, Compression, 2.25–12, Abs           | 1    |
| ▲    | 12 1060720 | (10000000–19999999 ) | Ring, Compression                        | 1    |
| ▲    | 13 1200642 | (10000000–19999999 ) | Hose Assy, Sqge, W/2cuff [Cassoday]      | 1    |
| ▲    | 14 763149  | (10000000–19999999 ) | Screw, Pan, 06– X 0.38, F/ Plstc         | 2    |
| ▲    | 15 1061811 | (10000000–19999999 ) | Strap, Retainer, Handle                  | 1    |
| ▲    | 16 1067350 | (10000000–19999999 ) | Rivet, Blind, .188d X 0.53 X .62d, Alm   | 2    |
| ▲    | 17 86308   | (10000000–19999999 ) | Washer, Flat, .19b .50d .06, Alm, Blind  | 2    |
| ▲    | 18 1061812 | (10000000–19999999 ) | Catch, Snap, Push, Mal                   | 1    |
| ▲    | 19 01335   | (10000000–19999999 ) | Rivet, Blind, .125d X 0.44 X .25d, Alm   | 1    |
| ▲    | 20 02892   | (10000000–19999999 ) | Washer, Flat, 0.12b 0.38d .03, PI        | 1    |

# OPTIONS

## Fig. 18 - Telemetry Group

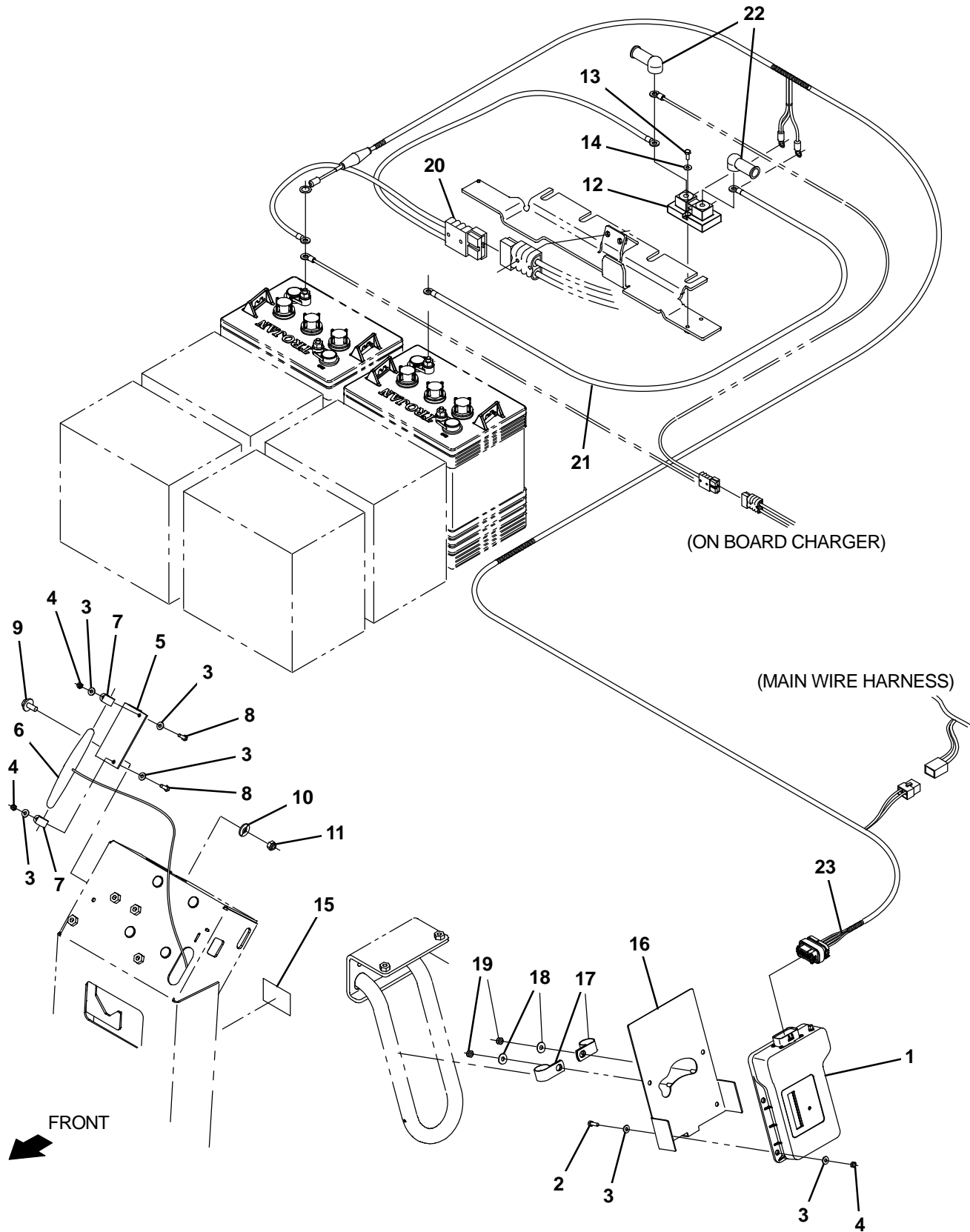
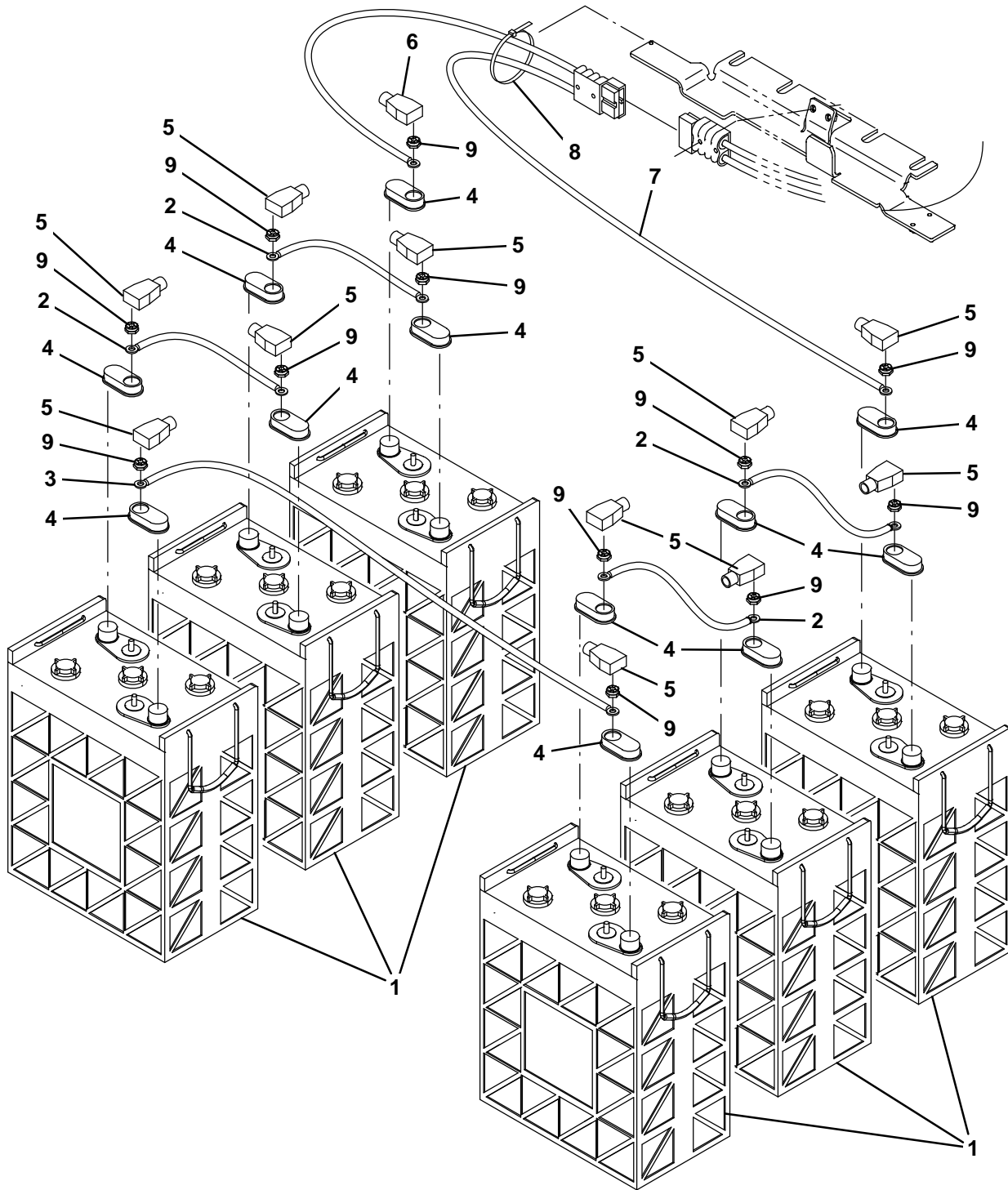


Fig. 18 – Telemetry Group

| Ref. | Part No. | Serial Number        | Description                              | Qty.                          |   |
|------|----------|----------------------|--|-------------------------------|---|
| 1    | 1069467  | (10000000–19999999 ) | Controlbox Assy, Telem [Usa, 3G]         | 1                             |   |
| 1    | 1070541  | (10000000–19999999 ) | Controlbox Assy, Telem [3G, Intl]        | 1                             |   |
| 2    | 24199    | (10000000–19999999 ) | Screw, Hex, M5 X 0.80 X 16, Ss           | 4                             |   |
| 3    | 01683    | (10000000–19999999 ) | Washer, Flat, 10, Ss                     | 12                            |   |
| 4    | 06549    | (10000000–19999999 ) | Nut, Hex, Lock, M5 X 0.80, NI            | 6                             |   |
| 5    | 1070402  | (10000000–19999999 ) | Angle, Mtg, Antenna, Telem               | 1                             |   |
| 6    | 1070659  | (10000000–19999999 ) | Antenna, Telem, 70 In [Gprs]             | 1                             |   |
| 7    | 140916   | (10000000–19999999 ) | Clamp, Cable, Nyl, 0.62d, Nat            | 2                             |   |
| 8    | 24199    | (10000000–19999999 ) | Screw, Hex, M5 X 0.80 X 16, Ss           | 2                             |   |
| 9    | 1020341  | (10000000–19999999 ) | Screw, Hex, M8 X 1.25 X 20, Ss, Sems     | 2                             |   |
| 10   | 01685    | (10000000–19999999 ) | Washer, Flat, 0.38b 0.88d .08, Ss        | 2                             |   |
| 11   | 08713    | (10000000–19999999 ) | Nut, Hex, Lock, M8 X 1.25, NI, Ss        | 2                             |   |
| 12   | 1070384  | (10000000–19999999 ) | Shunt, 050mv 250a                        | 1                             |   |
| 13   | 12323    | (10000000–19999999 ) | Screw, Pan, Phl, M4 X 0.70 X 20, Ss      | 2                             |   |
| 14   | 19064    | (10000000–19999999 ) | Washer, Flat, 0.16b 0.38d .05, Pl, 06    | 2                             |   |
| 15   | 1069580  | (10000000–19999999 ) | Label, Opertnl, Telem [Fcc/lc]           | 1                             |   |
| 16   | 1203695  | (10000000–19999999 ) | Bracket Wldt, Mtg, Box                   | 1                             |   |
| 17   | 69234    | (10000000–19999999 ) | Clamp, Cable, Stil, 1.00d X 0.75w, 1hole | 2                             |   |
| 18   | 01684    | (10000000–19999999 ) | Washer, Flat, 0.27b 0.69d .05, Ss        | 2                             |   |
| 19   | 08712    | (10000000–19999999 ) | Nut, Hex, Lock, M6 X 1.00, NI, Ss        | 2                             |   |
| 20   | 1070978  | (10000000–19999999 ) | Cable Assy, 4ga [T12 – Telemetry]        | 1                             |   |
| 21   | 1070498  | (10000000–19999999 ) | Cable, 4ga, Blk [6200e, Telemetry]       | 1                             |   |
| 22   | 611221   | (10000000–19999999 ) | Boot, Terminal, Battery, 25.4mm, Blk     | 2                             |   |
| ▽    | 23       | 1070042              | (10000000–19999999 )                     | Harness, Ele, [Telemetry T12] | 1 |
| ▲    | 9009990  | (10000000–19999999 ) | Fuse. 002A. 250Vdc, Cartridge            | 1                             |   |

# OPTIONS

Fig. 19 - Battery Group, 36V 360Ah



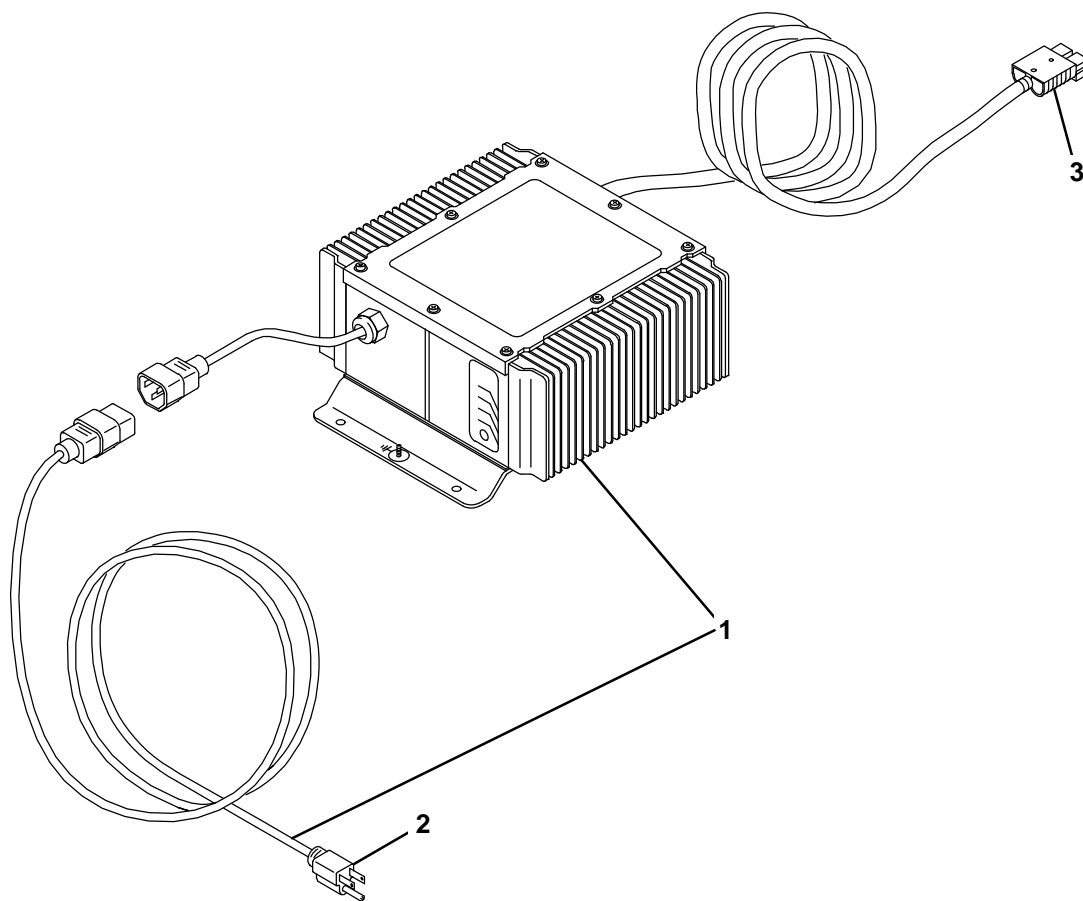


**Fig. 19 – Battery Group, 36V 360Ah**

| <b>Ref.</b> | <b>Part No.</b> | <b>Serial Number</b> | <b>Description</b>                       | <b>Qty.</b> |
|-------------|-----------------|----------------------|--|-------------|
| 1           | 1070587         | (10000000–19999999 ) | Battery, Wet, 06Vdc 0360Ah, W/Carton     | 6           |
| 2           | 223356          | (10000000–19999999 ) | Cable, 04ga 12.0l Blk .34ring /.34ring   | 4           |
| 3           | 223364          | (10000000–19999999 ) | Cable, 04ga 18.0l Blk .34ring /.34ring   | 1           |
| 4           | 1041030         | (10000000–19999999 ) | Cap, Battery                             | 12          |
| 5           | 68872           | (10000000–19999999 ) | Boot, Terminal, Battery, 02–01Ga, Blk    | 10          |
| 6           | 68873           | (10000000–19999999 ) | Boot, Terminal, Battery, 02–01Ga, Red    | 1           |
| 7           | 223361          | (10000000–19999999 ) | Cable Assy, 04ga .34ring /.34ring, 175a  | 1           |
| 8           | 130773          | (10000000–19999999 ) | Tie, Cable, Nyl, 11.0l, .14w, 3.0 Max. D | 1           |
| 9           | 87435           | (10000000–19999999 ) | Nut, Hex, Flexlock, .31–18               | 12          |

**OPTIONS**

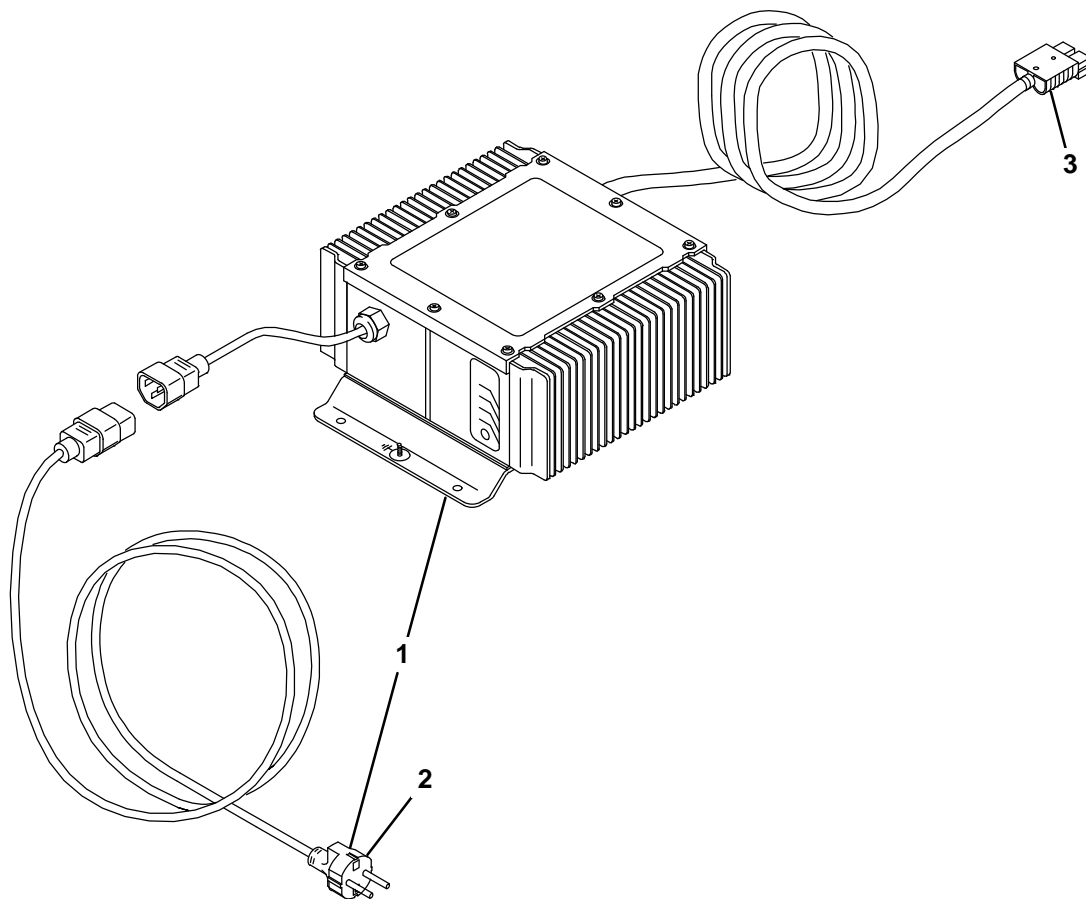
**Fig. 20 – Battery Charger Group**



356199

|   | Ref. | Part No. | Serial Number        | Description                              | Qty. |
|---|------|----------|----------------------|--|------|
| ▽ | 1    | 9001055  | (10000000–19999999 ) | Charger Kit, 36vdc 021a, 1ph,Domestic,Ci | 1    |
| ▲ | 2    | 1017079  | (10000000–19999999 ) | Cord, Extn, 16ga /3, 10ft [Sjt]          | 1    |
| ▲ | 3    | 130155   | (10000000–19999999 ) | Connector, Battery, 6ga 50a, Gray[2cont] | 1    |

**Fig. 21 – Battery Charger Group, International Only**

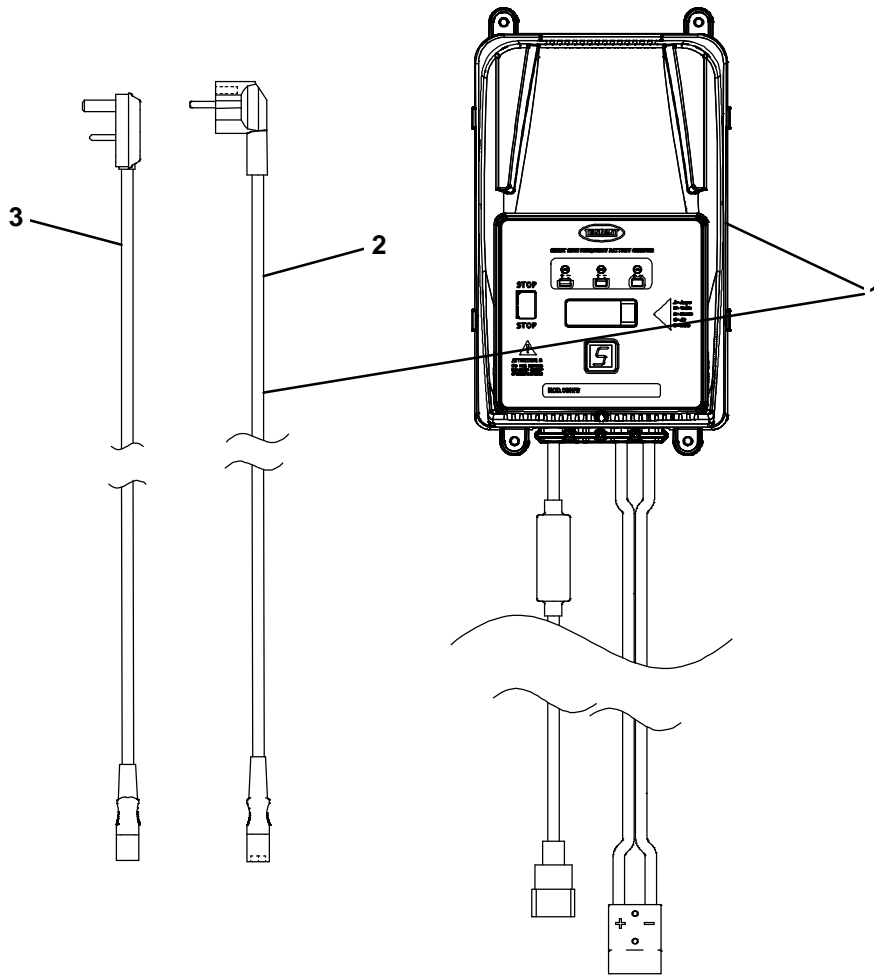


356201

|       | <b>Ref.</b> | <b>Part No.</b> | <b>Serial Number</b> | <b>Description</b>                            | <b>Qty.</b> |
|-------|-------------|-----------------|----------------------|---|-------------|
| ▽     | 1           | 9001062         | (10000000–19999999 ) | Charger Kit, 36vdc 021a, 1ph, Ci              | 1           |
| ▲     | 2           | 1019426         | (10000000–19999999 ) | Cord, Chrgr, Ele, [Japanese]                  | 1           |
| ▲     | 3           | 130155          | (10000000–19999999 ) | Connector, Battery, 6ga 50a, Gray[2cont]      | 1           |
| <hr/> |             |                 |                      |   |             |
|       | <b>Ref.</b> | <b>Part No.</b> | <b>Serial Number</b> | <b>Description</b>                            | <b>Qty.</b> |
| ▽     | 1           | 9001054         | (10000000–19999999 ) | Charger Kit, 36Vdc 21A 85–265Vac, 1Ph 45/65Hz | 1           |
| ▲     | 2           | 1019242         | (10000000–19999999 ) | Cord, Chrgr, Ele {European}                   | 1           |
| ▲     | 3           | 130155          | (10000000–19999999 ) | Connector, Battery, 6ga 50a, Gray[2cont]      | 1           |

**OPTIONS**

**Fig. 22 – Battery Charger Group**

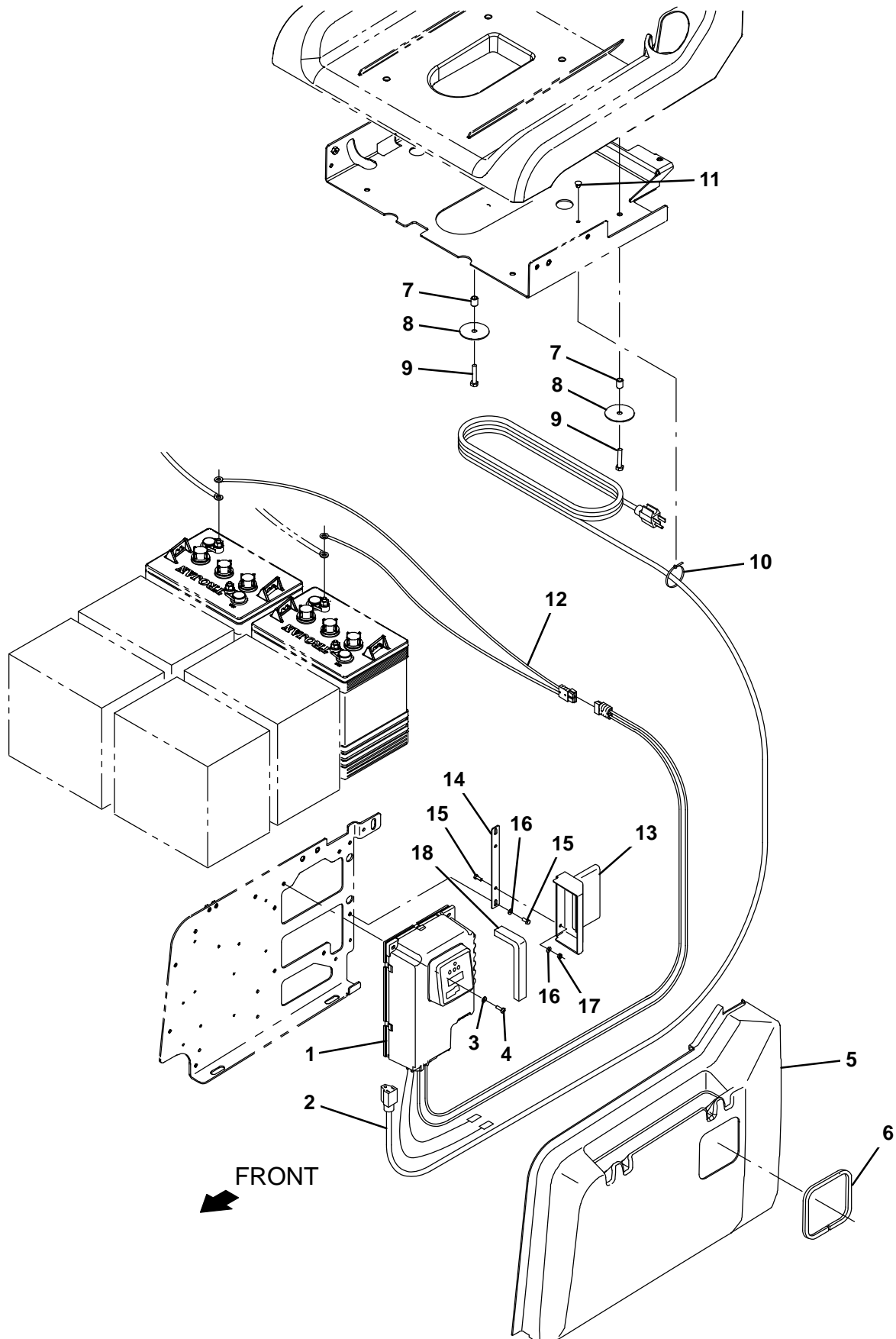


**Fig. 22 – Battery Charger Group**

|   | <b>Ref.</b> | <b>Part No.</b> | <b>Serial Number</b> | <b>Description</b>                    | <b>Qty.</b> |
|---|-------------|-----------------|----------------------|---------------------------------------|-------------|
| ▽ | 1           | 1071798         | (10000000–19999999 ) | Charger, 36Vdc 030A Wet Sb050G 230Vac | 1           |
| ▲ | 2           | 1043746         | (10000000–19999999 ) | Cable, Charger Eu Bc5 & 7             | 1           |
| ▲ | 3           | 1041716         | (10000000–19999999 ) | Cable, Charger Uk, Bc5 & 7 (UK Only)  | 1           |

# OPTIONS

Fig. 23 – On-Board Charger Kit

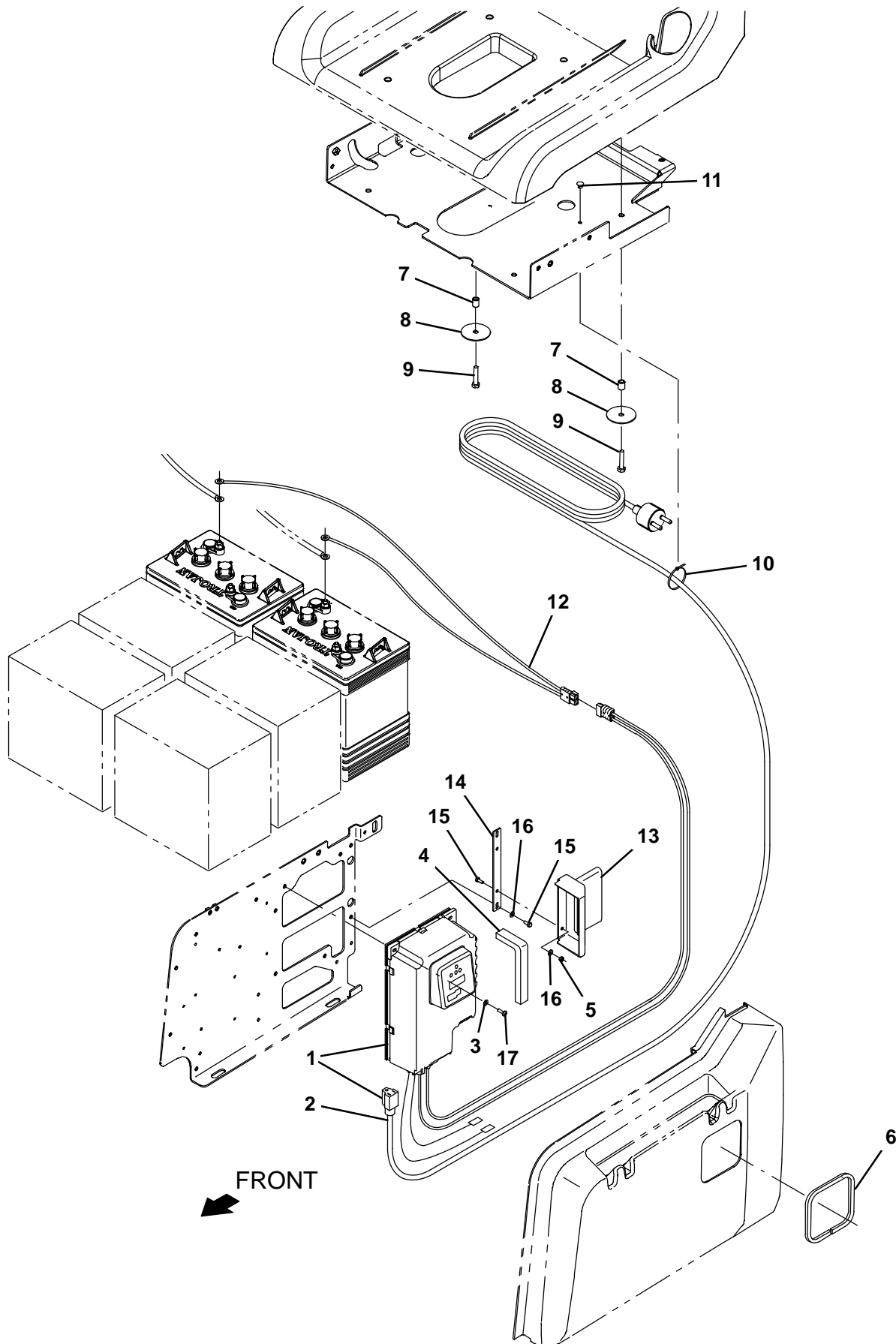


**Fig. 23 – On-Board Charger Kit**

|    | <b>Ref.</b> | <b>Part No.</b> | <b>Serial Number</b> | <b>Description</b>                       | <b>Qty.</b> |
|----|-------------|-----------------|----------------------|--|-------------|
| ▽  |             | 9009866         | (10000000-19999999 ) | Charger Kit, On-Board, Us Ci [T12]       | 1           |
| ▲▽ | 1           | 1206254         | (10000000-19999999 ) | Charger, 36vdc 20a 115vac [Ob Us]        | 1           |
| ▲▲ |             | 1030692         | (10000000-19999999 ) | Fuse, 15a, Replmt                        | 1           |
| ▲  | 2           | 1073882         | (10000000-19999999 ) | Cord, Power, 14/3, 15A, 15ft Blk [Us]    | 1           |
| ▲  | 3           | 140011          | (10000000-19999999 ) | Washer, Flat, 0.21b 0.45d .03, Ss        | 3           |
| ▲  | 4           | 06933           | (10000000-19999999 ) | Screw, Pan, Phl, M5 X 0.80 X 16, 4.8     | 3           |
| ▲  | 5           | 1201501         | (10000000-19999999 ) | Cover, Access, Chrgr, Trimmed            | 1           |
| ▲  | 6           | 1020170         | (10000000-19999999 ) | Molding, Afmkt, Trim, Pvc, .08 .11, 02ft | 1           |
| ▲  | 7           | 80395           | (10000000-19999999 ) | Sleeve, P/M, 0.32b 0.50d 0.7l [430ss]    | 2           |
| ▲  | 8           | 373117          | (10000000-19999999 ) | Washer, Flat, 0.38b 2.25d .07, Stil, Pnt | 2           |
| ▲  | 9           | 09011           | (10000000-19999999 ) | Screw, Hex, M8 X 1.25 X 30, Ss           | 2           |
| ▲  | 10          | 763115          | (10000000-19999999 ) | Tie, Cable, 6.0l, 1.25d Max              | 1           |
| ▲  | 11          | 1202868         | (10000000-19999999 ) | Clip, Tie, 0.25d, Plstc                  | 1           |
| ▲  | 12          | 1070508         | (10000000-19999999 ) | Cable Assy, 6ga [6100e – Telemetry]      | 1           |
| ▲  | 13          | 1206036         | (10000000-19999999 ) | Duct, Outlet, Heat                       | 1           |
| ▲  | 14          | 1206052         | (10000000-19999999 ) | Plate, Mtg, Heat Duct                    | 1           |
| ▲  | 15          | 09738           | (10000000-19999999 ) | Screw, Hex, M5 X 0.80 X 12, Ss           | 4           |
| ▲  | 16          | 140011          | (10000000-19999999 ) | Washer, Flat, 0.21b 0.45d .03, Ss        | 4           |
| ▲  | 17          | 09739           | (10000000-19999999 ) | Nut, Hex, Lock, M5 X 0.80, NI, Ss        | 2           |
| ▲  | 18          | 1206096         | (10000000-19999999 ) | Seal, Foam, 0.50 0.75w 8.0l, Pvc, Adh    | 1           |

# OPTIONS

Fig. 24 – On-Board Charger Group, International



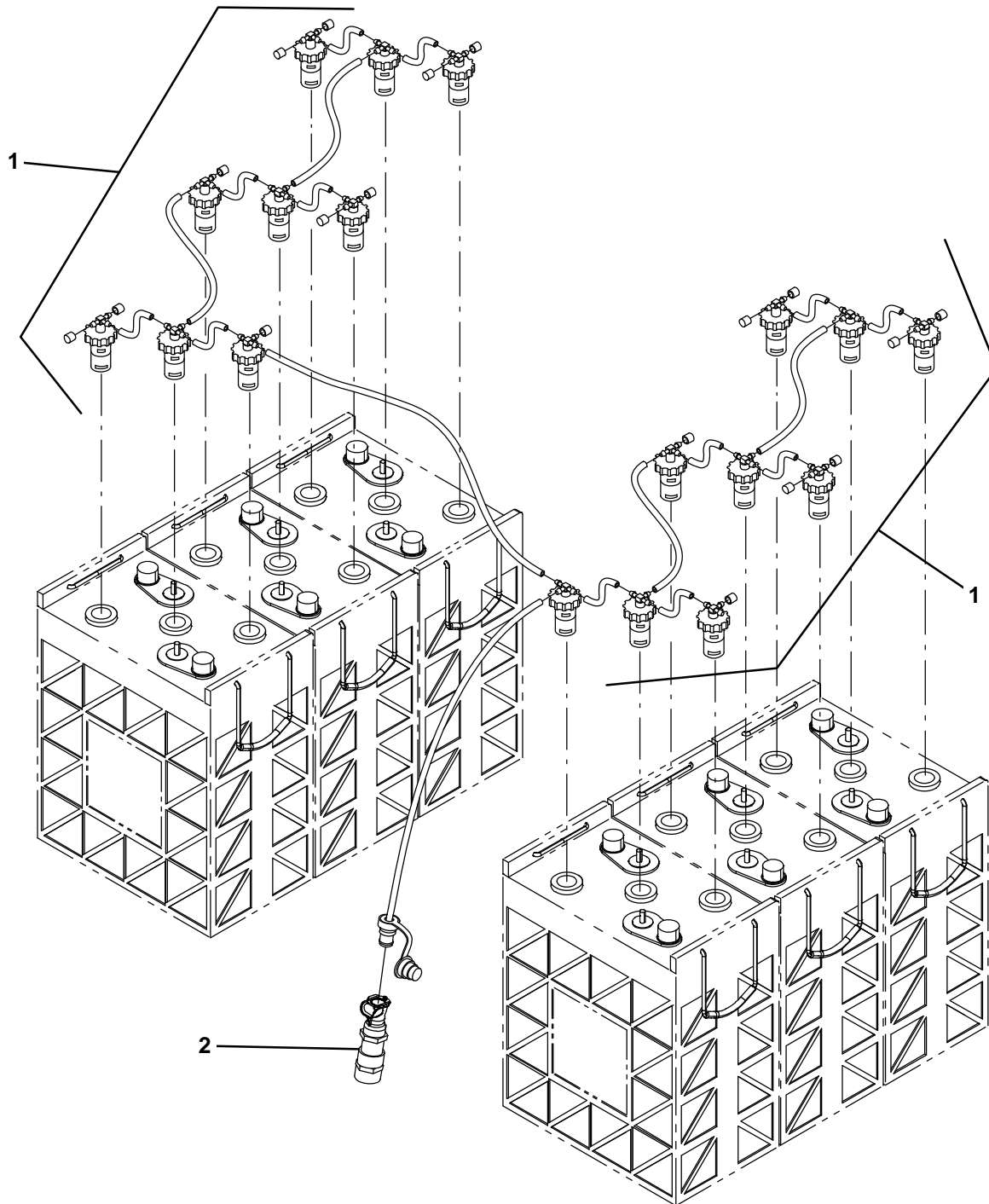


**Fig. 24 – On-Board Charger Group, International**

|   | <b>Ref.</b> | <b>Part No.</b> | <b>Serial Number</b> | <b>Description</b>                             | <b>Qty.</b> |
|---|-------------|-----------------|----------------------|--|-------------|
| ▽ | 1           | 1066112         | (10000000-19999999 ) | Charger, 36vdc 20a 230/240vac [Ob Exp]]        | 1           |
| ▲ |             | 1030692         | (10000000-19999999 ) | Fuse, 15a, Replmt                              | 1           |
| ▲ | 2           | 1019242         | (10000000-19999999 ) | Cord, Chrgr, Ele [European]                    | 1           |
| ▲ | 2           | 1026325         | (10000000-19999999 ) | Cord, Power, 1.0mm2/3 Blk[2.5Meter, Australia] | 1           |
|   | 3           | 140011          | (10000000-19999999 ) | Washer, Flat, 0.21b 0.45d .03, Ss              | 3           |
|   | 4           | 1206096         | (10000000-19999999 ) | Seal, Foam, 0.50 0.75w 8.0l, Pvc, Adh          | 1           |
|   | 5           | 09739           | (10000000-19999999 ) | Nut, Hex, Lock, M5 X 0.80, NI, Ss              | 2           |
|   | 6           | 1020170         | (10000000-19999999 ) | Molding, Afmkt, Trim, Pvc, .08 .11, 02ft       | 1           |
|   | 7           | 80395           | (10000000-19999999 ) | Sleeve, P/M, 0.32b 0.50d 0.7l [430ss]          | 2           |
|   | 8           | 373117          | (10000000-19999999 ) | Washer, Flat, 0.38b 2.25d .07, Stil, Pnt       | 2           |
|   | 9           | 09011           | (10000000-19999999 ) | Screw, Hex, M8 X 1.25 X 30, Ss                 | 2           |
|   | 10          | 763115          | (10000000-19999999 ) | Tie, Cable, 6.0l, 1.25d Max                    | 1           |
|   | 11          | 1202868         | (10000000-19999999 ) | Clip, Tie, 0.25d, Plstc                        | 1           |
|   | 12          | 1070508         | (10000000-19999999 ) | Cable Assy, 6ga [6100e – Telemetry]            | 1           |
|   | 13          | 1206036         | (10000000-19999999 ) | Duct, Outlet, Heat                             | 1           |
|   | 14          | 1206052         | (10000000-19999999 ) | Plate, Mtg, Heat Duct                          | 1           |
|   | 15          | 09738           | (10000000-19999999 ) | Screw, Hex, M5 X 0.80 X 12, Ss                 | 4           |
|   | 16          | 140011          | (10000000-19999999 ) | Washer, Flat, 0.21b 0.45d .03, Ss              | 4           |
|   | 17          | 06933           | (10000000-19999999 ) | Screw, Pan, Phl, M5 X 0.80 X 16, 4.8           | 3           |

**OPTIONS**

**Fig. 25 – Flow-Rite™ Battery Water Manifold Kit**

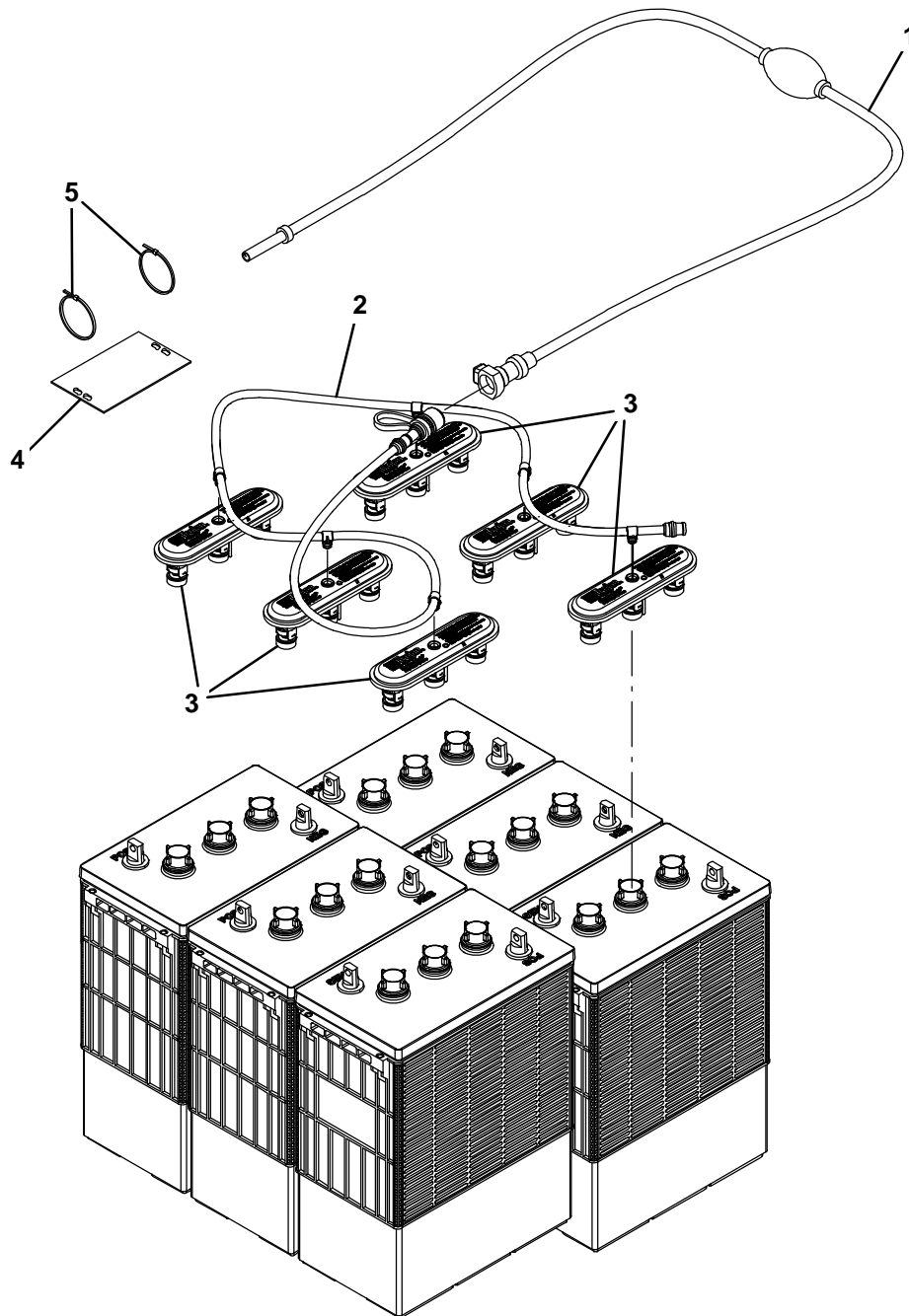


356352

| Ref. | Part No. | Serial Number      | Description                           | Qty. |
|------|----------|--------------------|---------------------------------------|------|
| ▽    | 9009870  | (1000000–1999999 ) | Manifold Kit, Sys, Water, Battery, Di | 1    |
| ▲ 1  | 1060756  | (1000000–1999999 ) | Manifold, Sys, Water, Battery         | 1    |
| ▲ 2  | 1061926  | (1000000–1999999 ) | Valve, Reg, Water                     | 1    |

Flow-Rite is a registered trademark of Flow-Rite Controls

**Fig. 26 – Hydrolink® Battery Watering System Kit**



355205

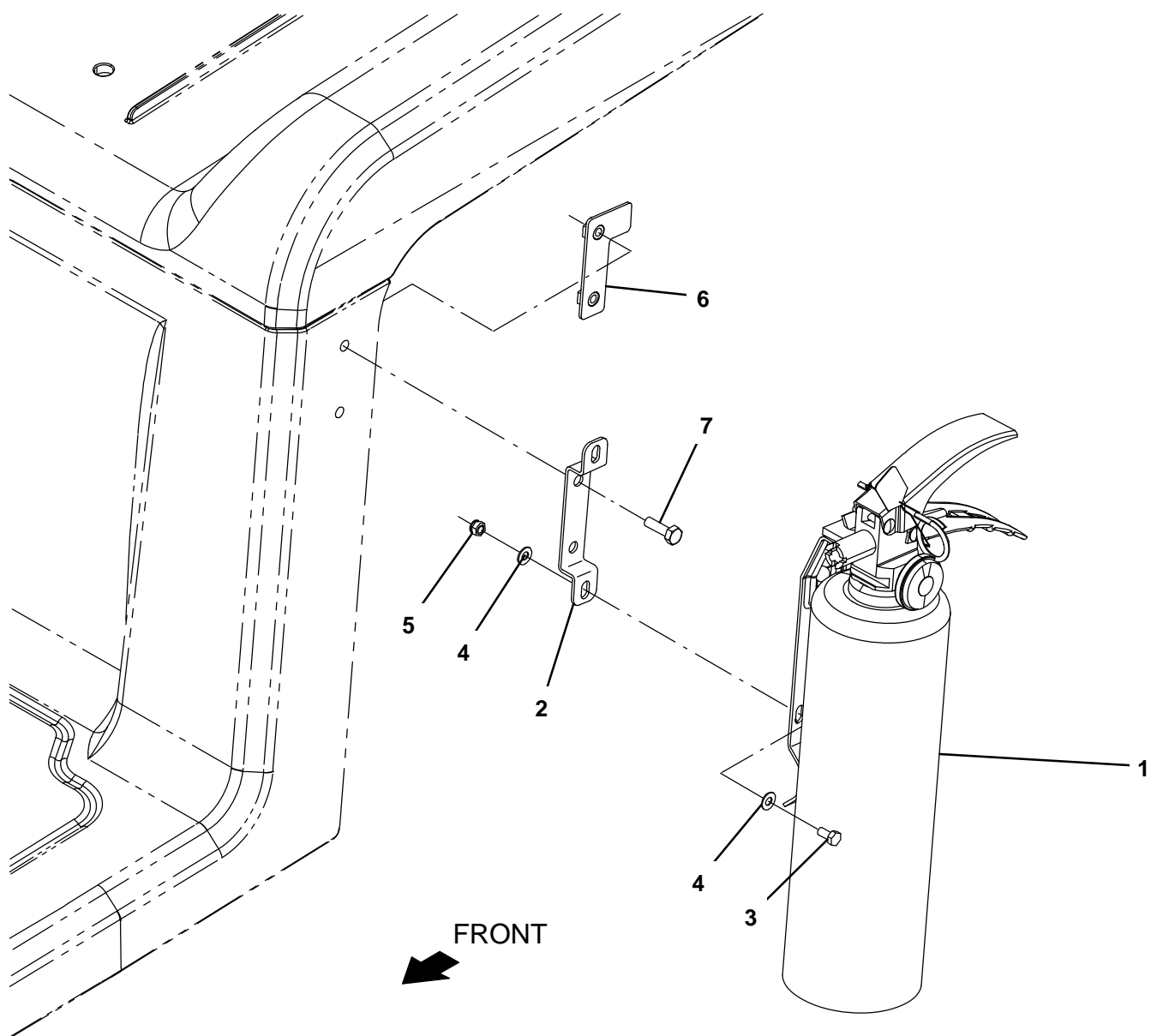
| Ref. | Part No. | Serial Number | Description                              | Qty. |
|------|----------|---------------|--|------|
| ▽    | 9010301* | (10000000– )  | Pump Kit, Fill, Battery,36vdc,Ci[Trojan] | 1    |
| ▲ 1  | 1058939  | (10000000– )  | Pump Kit, Fill, Battery                  | 1    |
| ▲ 2  | 1201997  | (10000000– )  | Tube, Water, Battery, 36vdc [Trojan]     | 1    |
| ▲ 3  | 1204142  | (10000000– )  | Cap, Fill, Battery [Trojan]              | 6    |
| ▲ 4  | 1071084  | (10000000– )  | Label, Tag, Battery [Hydrolink Watering] | 1    |
| ▲ 5  | 130773   | (10000000– )  | Tie, Cable, Nyl, 11.0l, .14w, 3.0 Max. D | 2    |

\*This kit is intended for use with Trojan® Lead Acid Batteries Only.

Hydrolink® is a registered trademark of Trojan® Battery Company.

**OPTIONS**

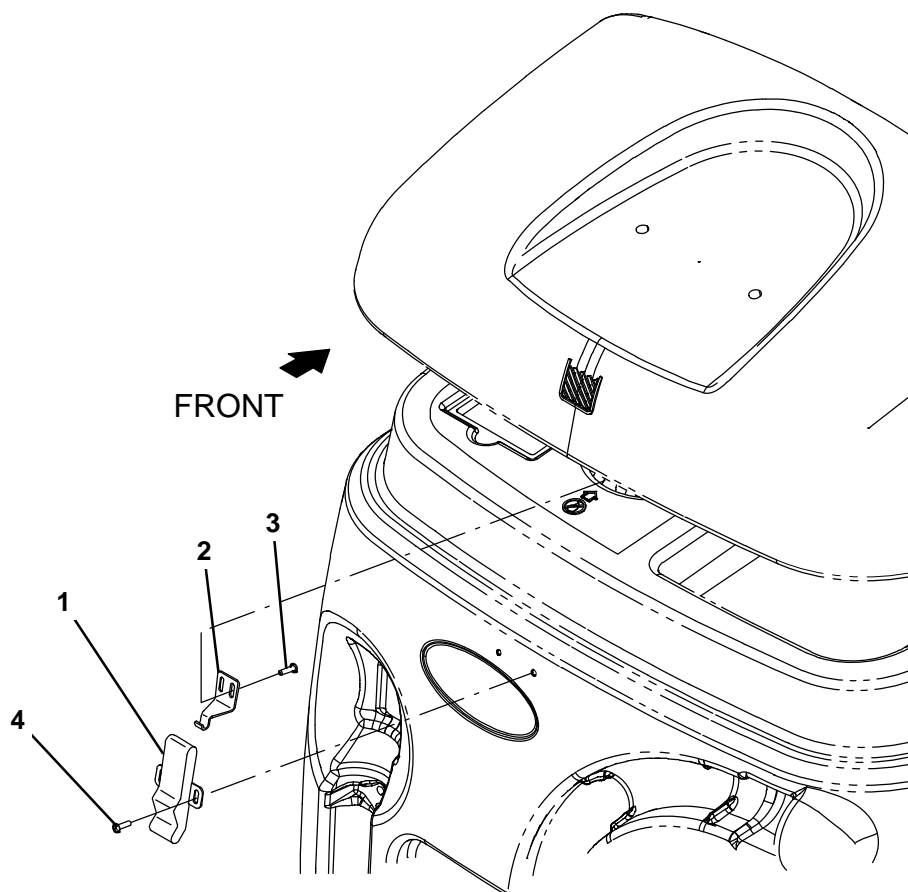
**Fig. 27 – Fire Extinguisher Group**



356351

| Ref. | Part No. | Serial Number        | Description                       | Qty. |
|------|----------|----------------------|-----------------------------------|------|
| 1    | 25312    | (10000000-19999999 ) | Extinguisher, Fire, 2.5 Lb Dry    | 1    |
| 2    | 1205877  | (10000000-19999999 ) | Bracket, Mtg, Extinguisher        | 1    |
| 3    | 09738    | (10000000-19999999 ) | Screw, Hex, M5 X 0.80 X 12, Ss    | 2    |
| 4    | 140011   | (10000000-19999999 ) | Washer, Flat, 0.21b 0.45d .03, Ss | 4    |
| 5    | 09739    | (10000000-19999999 ) | Nut, Hex, Lock, M5 X 0.80, NI, Ss | 2    |
| 6    | 1205889  | (10000000-19999999 ) | Plate Wldt, Mtg, Extinguisher     | 1    |
| 7    | 08716    | (10000000-19999999 ) | Screw, Hex, M6 X 1.00 X 20, Ss    | 2    |

**Fig. 28 – Transport Group**



356355

| Ref. | Part No. | Serial Number        | Description                             | Qty. |
|------|----------|----------------------|---|------|
| 1    | 140932   | (10000000-19999999 ) | Latch, Draw, Rbr, W/ Keeper, Fr/49800   | 1    |
| 2    | 1205666  | (10000000-19999999 ) | Bracket, Catch, Latch                   | 1    |
| 3    | 360973   | (10000000-19999999 ) | Screw, Pan, 12-16 X 0.50, F/ Plstc      | 2    |
| 4    | 140825   | (10000000-19999999 ) | Screw, Pan, Phl, 06 X 0.50, Fmg/Ab, Blk | 2    |

**OPTIONS****Fig. 29 – Documentation Group**

| Ref. | Part No. | Serial Number        | Description  | Qty. |
|------|----------|----------------------|--|------|
|      | 9009910  | (10000000–19999999 ) | Manual, Oprtr [T12 Ele, En, Na]                              | 1    |
|      | 9009911  | (10000000–19999999 ) | Manual, Oprtr [T12 Ele, Es, Na]                              | 1    |
|      | 9009912  | (10000000–19999999 ) | Manual, Oprtr [T12 Ele, Fr, Na]                              | 1    |
|      | 9009913  | (10000000–19999999 ) | Manual, Oprtr [T12 Ele, Ptb]                                 | 1    |
|      | 9009914  | (10000000–19999999 ) | Manual, Oprtr [T12 Ele, Jp]                                  | 1    |
|      | 9009915  | (10000000–19999999 ) | Manual, Oprtr [T12 Ele, Cn]                                  | 1    |
|      | 9009916  | (10000000–19999999 ) | Manual, Parts [T12 Ele, En, Na/Int]<br>(S/N 1000000–1999999) | 1    |
|      | 9012729  | (30000000–39999999 ) | Manual, Parts [T12 Ele, EN]<br>(S/N 3000000–3999999)         | 1    |
|      | 9009917  | (10000000–19999999 ) | Manual, Service Info [T12 Ele, En]                           | 1    |
|      | 9009890  | (10000000–19999999 ) | Dvd, Operator [T12]  | 1    |
|      | 9011140  | (10000000–19999999 ) | Instr, Use&Care, Wallchart [T12]                             | 1    |



To view, print, order, download the latest Parts manual, other language Operator manuals, and Use and Care Guides (wall charts) visit:

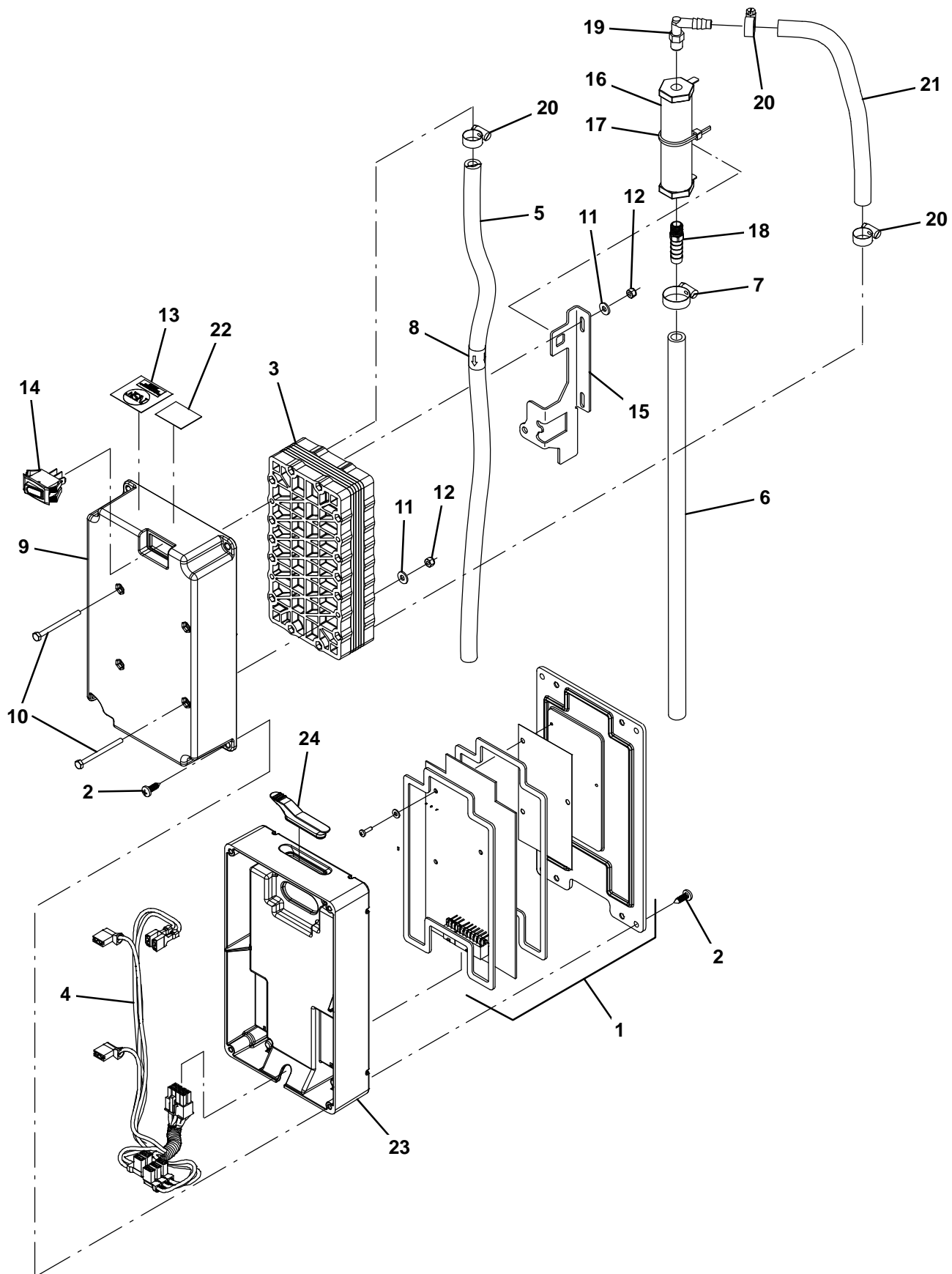
[www.tennantco.com/manual](http://www.tennantco.com/manual)

# SECTION 4

| <b>Contents</b>   | <b>Page</b> |
|---|-------------|
| Fig. 1 – ec-H2O Module Assembly<br>Breakdown, 9010933 .....               | 4-2         |
| Fig. 2 – Steering Control Breakdown, 1200203 ..                           | 4-4         |
| Fig. 3 – Drive Wheel Breakdown, 1200150 .....                             | 4-5         |
| Fig. 4 – Electric Motor Breakdown, 1053342 .....                          | 4-6         |
| Fig. 5 – Accelerator and Brake Pedal Assembly<br>Breakdown, 1200253 ..... | 4-7         |

# BREAKDOWNS

Fig. 1 - ec-H2O Module Assembly Breakdown, 9010933



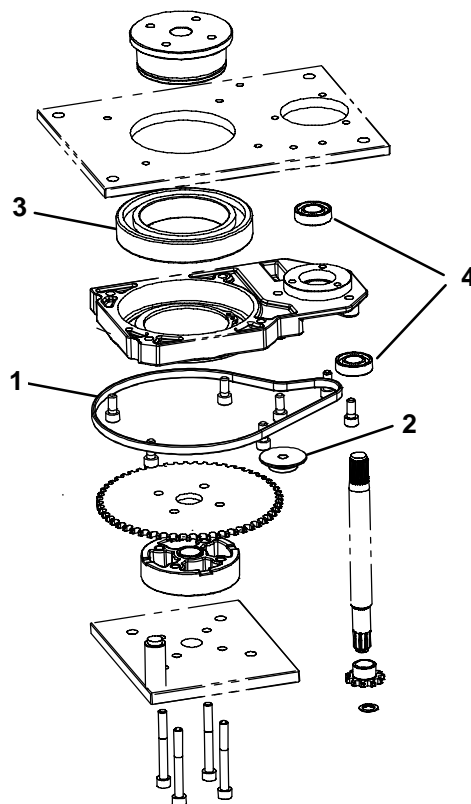


**Fig. 1 – ec–H2O Module Assembly Breakdown, 9010933**

| Ref. | Part No.   | Serial Number        | Description                              | Qty. |
|------|------------|----------------------|--|------|
| ▽    | 9010933    | (10000000–19999999 ) | Ec–H2o Module Kit, Afmkt [T12]           | 1    |
| ▲    | 1 9020262  | (10000000–19999999 ) | Circuit Board Kit, Ec–H2o, Afmkt [T12]   | 1    |
| ▲    | 2 1018155  | (10000000–19999999 ) | Screw, Pan, Phl, M5 X 0.80 X 16, Tcut,Ss | 8    |
| ▲    | 3 1057637  | (10000000–19999999 ) | Electrode, 5 Plate, High Flow            | 1    |
| ▲    | 4 1069708  | (10000000–19999999 ) | Harness, Ele, Ech2o [T12 Module]         | 1    |
| ▲    | 5 9006268  | (10000000–19999999 ) | Hose, Pvc, Brd, 0.38id, 01Ft, Clr        | 1    |
| ▲    | 6 1014971  | (10000000–19999999 ) | Hose, Afmkt, Pvc, Brd, 01Ft, Clr         | 1    |
| ▲    | 7 54333    | (10000000–19999999 ) | Clamp, Hose, Wormdrive, 0.31–0.88d, .31w | 1    |
| ▲    | 8 1049637  | (10000000–19999999 ) | Label, Direction [Ec–H2o]                | 1    |
| ▲    | 9 1051519  | (10000000–19999999 ) | Housing, Upper, Module, High Flow        | 1    |
| ▲    | 10 32509   | (10000000–19999999 ) | Screw, Hex, M4 X 0.70 X 50, Ss           | 4    |
| ▲    | 11 41579   | (10000000–19999999 ) | Washer, Flat, 08, Ss                     | 4    |
| ▲    | 12 33932   | (10000000–19999999 ) | Nut, Hex, Lock, M4 X 0.70, Nl, Ss        | 4    |
| ▲    | 13 1046041 | (10000000–19999999 ) | Label, Module [Nsf, Ec–H2o]              | 1    |
| ▲    | 14 1044393 | (10000000–19999999 ) | Switch, Rocker, Spst, Mom                | 1    |
| ▲    | 15 1048741 | (10000000–19999999 ) | Bracket, Valve, Large                    | 1    |
| ▲    | 16 1062006 | (10000000–19999999 ) | Electrode, Cylindrical                   | 1    |
| ▲    | 17 130773  | (10000000–19999999 ) | Tie, Cable, Nyl, 11.0l, .14w, 3.0 Max. D | 1    |
| ▲    | 18 1055552 | (10000000–19999999 ) | Fitting, Brs, Str, Bm06/Pm02             | 1    |
| ▲    | 19 1051268 | (10000000–19999999 ) | Fitting, Plstc, E90, Bm05/Pm02, Nyl      | 1    |
| ▲    | 20 43844   | (10000000–19999999 ) | Clamp, Hose, Wormdrive, 0.25–0.62d, .31w | 3    |
| ▲    | 21 1014971 | (10000000–19999999 ) | Hose, Afmkt, Pvc, Brd, 01Ft, Clr         | 1    |
| ▲    | 22 1068763 | (10000000–19999999 ) | Label, Date Code [Ec–H2o]                | 1    |
| ▲    | 23 1037032 | (10000000–19999999 ) | Housing, Bottom                          | 1    |
| ▲    | 24 1054776 | (10000000–19999999 ) | Grommet, Blind                           | 1    |

## BREAKDOWNS

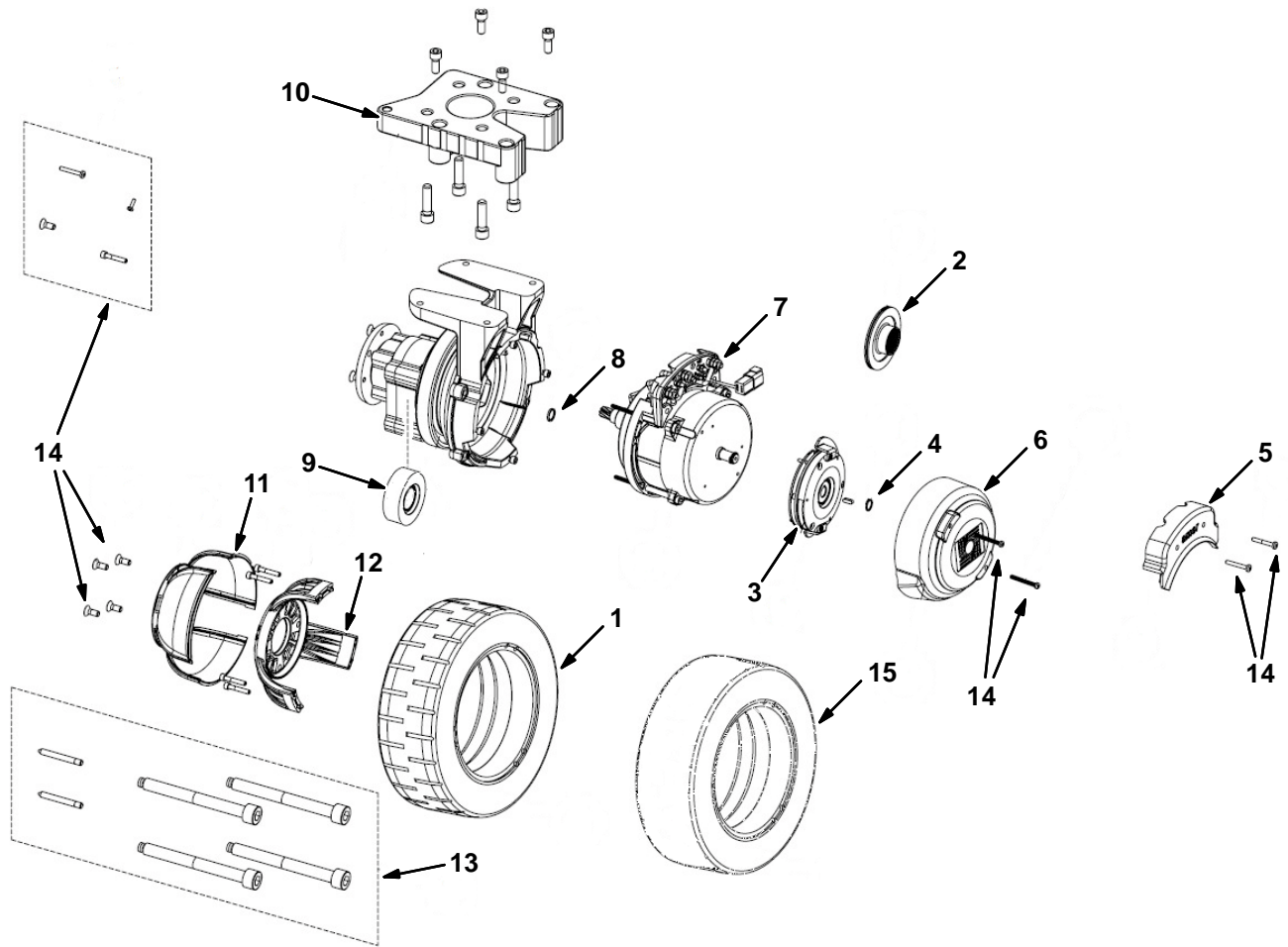
**Fig. 2 – Steering Control Breakdown, 1200203**



356361

| Ref. | Part No.  | Serial Number        | Description                     | Qty. |
|------|-----------|----------------------|---------------------------------|------|
| ▽    | 1200203   | (10000000–19999999 ) | Steer-Control Assy, Wheel Drive | 1    |
| ▲▽   | 1 9011049 | (10000000–19999999 ) | Chain, Steering W/Link          | 1    |
| ▲    | 2 9011051 | (10000000–19999999 ) | Pulley, Tension                 | 1    |
| ▲    | 3 372874  | (10000000–19999999 ) | Bearing, Steering               | 1    |
| ▲    | 4 9008719 | (10000000–19999999 ) | Bearing [6003 2RS]              | 2    |

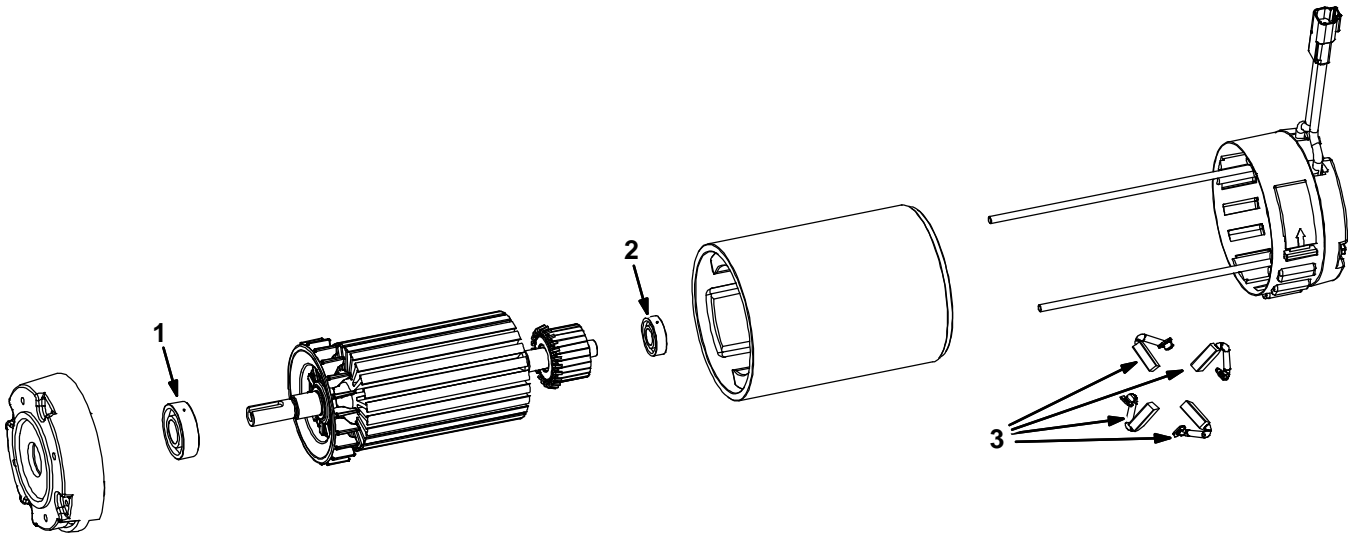
**Fig. 3 – Drive Wheel Breakdown, 1200150**



| Ref. | Part No. | Serial Number     | Description                       | Qty. |
|------|----------|-------------------|-----------------------------------|------|
| ▽    | 1200150  | (1000000-1999999) | Wheel, Drive, Ac                  | 1    |
| ▲    | 1        | 9011048           | Wheel, Pyu [250X90 Red]           | 1    |
| ▲    | 2        | 9011052           | Brake, Rotor                      | 1    |
| ▲    | 3        | 9011053           | Brake, W/Lever, Complt            | 1    |
| ▲    | 4        | 9008556           | Ring, Retaining F/1055257         | 1    |
| ▲    | 5        | 9008550           | Cover, Box, Connector             | 1    |
| ▲    | 6        | 9013901           | Cover, Motor, Drive               | 1    |
| ▲    | 7        | 9013900           | Motor Assy, Ac, Drive, Complt     | 1    |
| ▲    | 8        | 9008555           | Seal, Ring                        | 1    |
| ▲    | 9        | 9008551           | Bearing, Ball [91962 2rs]         | 1    |
| ▲    | 10       | 9008552           | Spacer, Alm                       | 1    |
| ▲    | 11       | 9008553           | Cover, Plstc, Hub, Alm            | 1    |
| ▲    | 12       | 9013899           | Hub, Alm                          | 1    |
| ▲    | 13       | 9008544           | Tire Kit, Puller                  | 1    |
| ▲    | 14       | 9008557           | Screw Kit                         | 1    |
|      | 15       | 9012603           | Wheel, Pyu [250X90 Blue] (Option) | 1    |

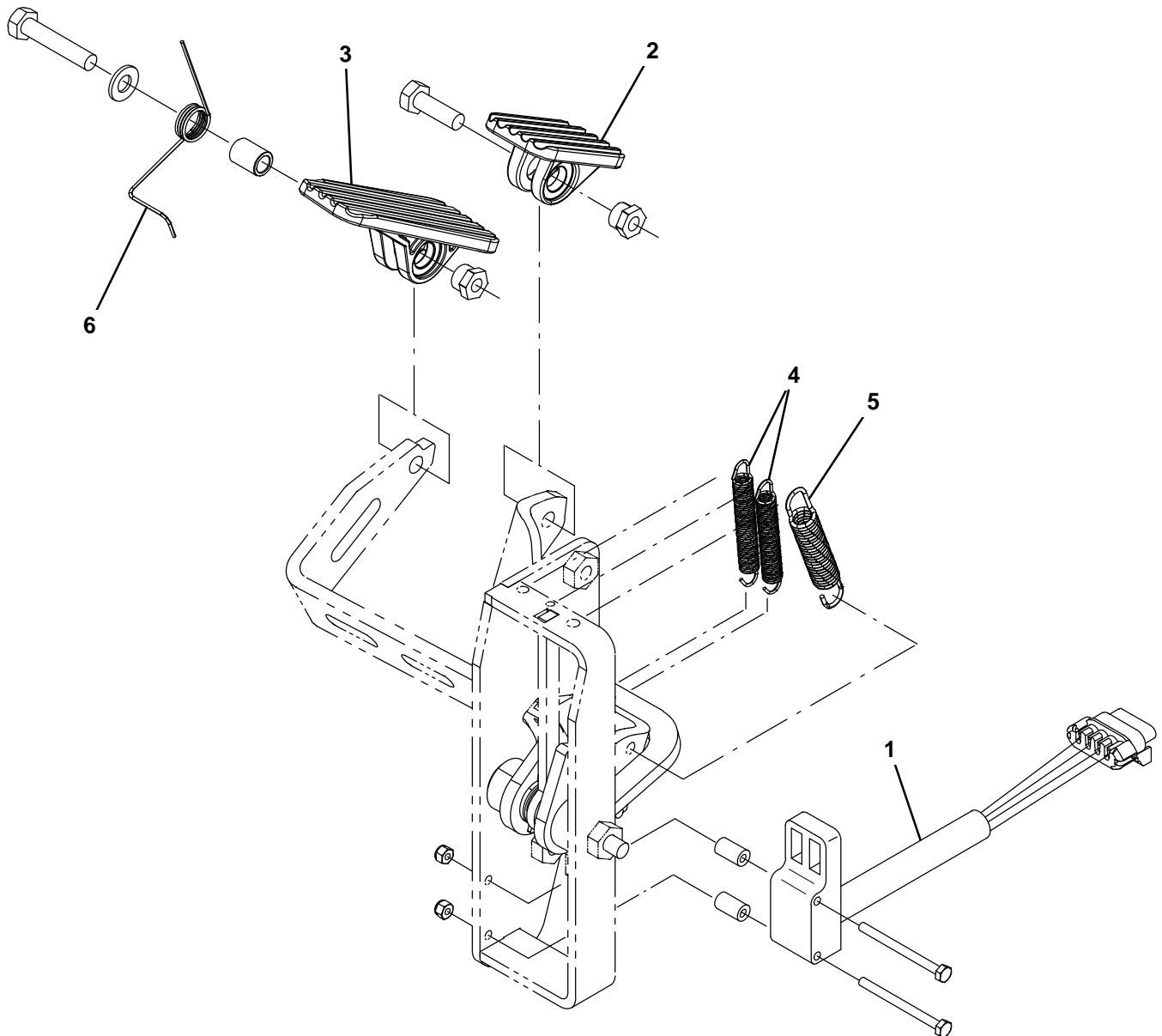
## BREAKDOWNS

Fig. 4 – Electric Motor Breakdown, 1053342



| Ref. | Part No.  | Serial Number        | Description                            | Qty. |
|------|-----------|----------------------|--|------|
| ▽    | 1053342   | (10000000–19999999 ) | Motor, ele, 36Vdc 1750rpm 1.00hp 22.0a | 1    |
| ▲    | 1 9013931 | (10000000–19999999 ) | Bearing, Motor, Ele                    | 2    |
| ▲    | 2 9013934 | (10000000–19999999 ) | Bearing, Motor, Ele                    | 2    |
| ▲    | 3 9011916 | (10000000–19999999 ) | Brush Kit, Motor                       | 1    |

**Fig. 5 – Accelerator and Brake Pedal Assembly Breakdown, 1200253**



356189

| Ref. | Part No. | Serial Number                | Description                          | Qty. |
|------|----------|------------------------------|--------------------------------------|------|
| ▽    | 1200253  | (10000000–19999999 )         | Pedal Assy, Accelerator, Brake       | 1    |
| ▲    | 1        | 1058687 (10000000–19999999 ) | Sensor, Position [Hall]              | 1    |
| ▲    | 2        | 1014548 (10000000–19999999 ) | Pedal, Brake, W/ Tread               | 1    |
| ▲    | 3        | 1051836 (10000000–19999999 ) | Pedal, Propel, W/ Tread              | 1    |
| ▲    | 4        | 1061049 (10000000–19999999 ) | Spring, Extn, 0.35od 0.05wir 02.8l   | 2    |
| ▲    | 5        | 1031716 (10000000–19999999 ) | Spring, Extn, 0.50od 0.07wir 03.0l   | 1    |
| ▲    | 6        | 1064665 (10000000–19999999 ) | Spring, Tors, 0.55id .05wir 04.0coil | 1    |

## **BREAKDOWNS**

---

# SECTION 5

**CONTENTS**

**PAGE**

|  |     |
|--|-----|
| PART NUMBER TO PAGE NUMBER CROSS REFERENCE LIST .....      | 5-2 |
| PART DESCRIPTION TO PAGE NUMBER CROSS REFERENCE LIST ..... | 5-7 |

**CROSS REFERENCE****PART NUMBER TO PAGE NUMBER CROSS REFERENCE LIST**

| Part Number | Page Number   | Part Number | Page Number                                   | Part Number | Page Number   |
|-------------|---|-------------|---|-------------|---|
| 00911       | 2-29  | 09011       | 2-7, 2-23, 2-25, 2-41, 3-11, 3-21, 3-45, 3-47 | 1020341     | 2-7, 2-9, 2-11, 2-15, 2-21, 2-29, 2-35, 2-39, 2-45, 2-47, 3-5, 3-13, 3-15, 3-25, 3-27, 3-33, 3-37 |
| 00911       | 2-29  | 09026       | 2-11, 2-23, 3-23                              | 1022671     | 3-35  |
| 00912       | 2-17, 2-19  | 09028       | 2-7, 2-9, 3-9, 3-25                           | 1024977     | 3-9   |
| 00928       | 2-25, 3-21  | 09088       | 2-31, 2-33                                    | 1025736     | 2-15  |
| 00961       | 2-29  | 09162       | 2-19  | 1026014     | 2-35  |
| 01335       | 3-35  | 09198       | 2-3   | 1026325     | 3-47  |
| 01516       | 2-29  | 09252       | 3-9   | 1027290     | 2-39  |
| 01683       | 2-21, 3-9, 3-33, 3-37   | 09570       | 2-7, 2-17, 2-19                               | 1027798     | 3-5, 3-7  |
| 01684       | 2-3, 2-5, 2-9, 2-15, 2-25, 2-27, 2-29, 2-37, 2-47, 3-15, 3-29, 3-33, 3-37 | 09737       | 2-35  | 1027800     | 3-5, 3-7  |
| 01685       | 2-7, 2-9, 2-13, 2-15, 2-23, 2-25, 2-27, 3-9, 3-11, 3-21, 3-23, 3-25, 3-37 | 09738       | 2-47, 3-15, 3-17, 3-27, 3-45, 3-47, 3-50      | 1027944     | 1-1   |
| 01686       | 2-7, 2-9, 2-39, 2-41, 3-9, 3-23, 3-25                                     | 09739       | 2-15, 2-47, 3-9, 3-45, 3-47, 3-50             | 1027976     | 3-33  |
| 01690       | 2-47  | 09740       | 3-21  | 1028581     | 3-17  |
| 01754       | 2-47  | 09744       | 3-29, 3-33                                    | 1030692     | 3-45, 3-47  |
| 02892       | 3-35  | 1002077     | 2-29  | 1031716     | 4-7   |
| 03192       | 3-13  | 1002898     | 3-17  | 1034731     | 2-7, 2-15, 2-19, 2-29, 2-45, 3-15   |
| 04375       | 3-13  | 1002899     | 3-17  | 1035038     | 2-13, 2-15  |
| 04843       | 2-23  | 1005630     | 3-15, 3-27                                    | 1036490     | 2-17  |
| 04846       | 2-19  | 1006400     | 3-15, 3-27                                    | 1037032     | 4-3   |
| 05686       | 3-23  | 1006401     | 2-49  | 1037821     | 2-35  |
| 06549       | 3-5, 3-7, 3-37  | 1010399     | 3-11  | 1038966     | 2-17  |
| 06920       | 3-3   | 1011170     | 3-17  | 1039392     | 3-7   |
| 06922       | 2-47  | 1011735     | 2-17, 2-19                                    | 1039557     | 3-17  |
| 06929       | 2-45  | 1011885     | 2-39  | 1040868     | 3-15  |
| 06933       | 3-5, 3-7, 3-45, 3-47  | 10120       | 2-31, 2-33                                    | 1041030     | 2-49, 3-39  |
| 06934       | 2-45  | 1012878     | 2-15  | 1041716     | 3-43  |
| 06941       | 2-9   | 1013900     | 3-27  | 1042492     | 2-5   |
| 06943       | 3-33  | 1014328     | 2-29  | 1042494     | 2-5   |
| 06961       | 2-19  | 1014548     | 4-7   | 1042496     | 2-5   |
| 06965       | 3-9   | 1014918     | 3-21  | 1042499     | 2-3   |
| 07471       | 3-23  | 1014949     | 3-17  | 1042500     | 2-3   |
| 07514       | 2-45  | 1014971     | 3-15, 4-3                                     | 1042504     | 2-3   |
| 07515       | 2-45  | 1014974     | 3-15  | 1043746     | 3-43  |
| 07786       | 2-27, 2-43  | 1014976     | 3-27  | 1044393     | 4-3   |
| 07789       | 3-27  | 1015026     | 2-25, 2-27                                    | 1044415     | 3-15  |
| 07791       | 2-19  | 1015033     | 3-27  | 1046041     | 4-3   |
| 08085       | 2-15  | 1015455     | 3-15  | 1048741     | 4-3   |
| 08236       | 2-25, 2-27  | 1016063     | 2-5   | 1048955     | 2-13, 2-15  |
| 08708       | 2-11, 2-25, 2-31, 2-33, 3-33  | 1016314     | 2-47, 2-49                                    | 1049573     | 3-29  |
| 08709       | 2-17, 2-19, 3-33  | 1016354     | 2-25, 3-15                                    | 1049637     | 4-3   |
| 08711       | 2-17  | 1016392     | 2-35  | 1051024     | 2-5   |
| 08712       | 2-11, 2-15, 3-21, 3-33, 3-37  | 1016421     | 2-31, 2-33                                    | 1051027     | 2-3   |
| 08713       | 2-9, 2-23, 2-41, 2-43, 3-21, 3-23, 3-37                                   | 1016825     | 2-45, 3-29                                    | 1051052     | 2-13, 2-15  |
| 08714       | 2-39, 2-41, 3-9, 3-23   | 1017079     | 3-40  | 1051268     | 4-3   |
| 08716       | 2-11, 2-27, 2-29, 2-37, 3-33, 3-50  | 1017218     | 2-35, 2-41, 2-43, 3-21, 3-23                  | 1051519     | 4-3   |
| 09005       | 3-33  | 1017368     | 2-3, 2-5                                      | 1051836     | 4-7   |
| 09007       | 2-25, 3-33  | 1017957     | 2-5   | 1052010     | 3-17  |
| 09010       | 2-25, 2-41, 3-23, 3-25  | 1018151     | 2-41  | 1052120     | 2-21  |
|             |   | 1018155     | 4-3   | 1052123     | 2-21  |
|             |   | 1019242     | 3-41, 3-47                                    | 1052126     | 2-37  |
|             |   | 1019285     | 2-35  | 1052532     | 2-43  |
|             |   | 1019426     | 3-41  | 1052705     | 3-15, 3-17  |
|             |   | 1020168     | 2-23  | 1052726     | 2-21  |
|             |   | 1020170     | 3-45, 3-47                                    | 1052754     | 3-21  |
|             |   |             |   | 1053342     | 2-29, 4-6   |



**CROSS REFERENCE**

| <b>Part Number</b> | <b>Page Number</b> | <b>Part Number</b> | <b>Page Number</b>           | <b>Part Number</b> | <b>Page Number</b> |
|--------------------|--------------------|--------------------|------------------------------|--------------------|--------------------|
| 1053814            | 2-41               | 1061049            | 4-7                          | 1200012            | 2-27               |
| 1053815            | 2-41               | 1061087            | 3-33                         | 1200025            | 2-7                |
| 1053870            | 2-41               | 1061356            | 3-35                         | 1200146            | 2-21               |
| 1053977            | 2-19               | 1061570            | 3-35                         | 1200149            | 2-37               |
| 1054100            | 1-1, 2-9           | 1061571            | 3-35                         | 1200150            | 2-7, 4-5           |
| 1054178            | 3-33               | 1061811            | 3-35                         | 1200161            | 3-15               |
| 1054312            | 2-31, 2-33, 2-43   | 1061812            | 3-35                         | 1200168            | 2-25               |
| 1054581            | 2-29               | 1061910            | 2-45                         | 1200203            | 2-7, 4-4           |
| 1054654            | 2-19               | 1061918            | 2-45                         | 1200210            | 2-11               |
| 1054662            | 2-23, 2-41, 3-23   | 1061926            | 3-48                         | 1200213            | 2-33               |
| 1054776            | 4-3                | 1062006            | 4-3                          | 1200215            | 2-29               |
| 1054795            | 2-25, 2-27, 3-27   | 1062106            | 3-5                          | 1200218            | 2-43               |
| 1054823            | 2-35               | 1062659            | 3-35                         | 1200219            | 2-43               |
| 1055396            | 2-43               | 1062813            | 2-59                         | 1200221            | 2-31               |
| 1055506            | 2-43               | 10632-2            | 3-7                          | 1200239            | 3-33               |
| 1055516            | 2-41               | 1063263            | 3-5                          | 1200253            | 2-21, 4-7          |
| 1055552            | 4-3                | 1064184            | 2-47, 3-3, 3-5, 3-7,<br>3-29 | 1200263            | 2-19               |
| 1056412            | 2-19               | 1064188            | 3-3, 3-5, 3-7                | 1200281            | 2-29               |
| 1056719            | 3-33               | 1064189            | 3-29                         | 1200283            | 2-29               |
| 1056979            | 3-5                | 1064665            | 4-7                          | 1200292            | 2-27               |
| 1056982            | 3-33               | 1064770            | 2-43                         | 1200298            | 2-7                |
| 1057043            | 2-19               | 1065134            | 2-31, 2-33                   | 1200309            | 2-29               |
| 1057214            | 2-35               | 1066063            | 2-35                         | 1200313            | 3-33               |
| 1057407            | 2-43               | 1066112            | 3-47                         | 1200328            | 3-15               |
| 1057554            | 2-17, 2-19         | 1066433            | 2-35                         | 1200334            | 1-1, 2-29          |
| 1057572            | 2-19               | 1066720            | 2-35                         | 1200369            | 2-37               |
| 1057629            | 2-29               | 1066919            | 3-33                         | 1200370            | 3-25               |
| 1057637            | 4-3                | 1067120            | 2-59                         | 1200383            | 1-1, 2-43          |
| 1057780            | 2-7                | 1067350            | 3-35                         | 1200384            | 1-1, 2-43          |
| 1057785            | 2-19               | 1067964            | 2-37                         | 1200394            | 3-33               |
| 1057814            | 3-33               | 1068763            | 4-3                          | 1200417            | 3-21               |
| 1057816            | 3-33               | 1069346            | 2-58                         | 1200430            | 1-1, 2-31, 2-33    |
| 1058679            | 2-17, 2-19         | 1069467            | 3-37                         | 1200440            | 2-23               |
| 1058687            | 4-7                | 1069580            | 3-37                         | 1200458            | 2-35               |
| 1058694            | 3-5                | 1069639            | 3-31                         | 1200460            | 2-9                |
| 1058939            | 3-49               | 1069671            | 3-19                         | 1200466            | 2-43               |
| 1059019            | 2-7                | 1069708            | 4-3                          | 1200467            | 3-17               |
| 1059073            | 2-19               | 1069730            | 2-58                         | 1200519            | 2-35               |
| 1059169            | 2-47               | 1069745            | 2-58                         | 1200525            | 2-31, 2-33         |
| 1059170            | 2-29               | 1069746            | 3-7                          | 1200612            | 2-11               |
| 1059231            | 3-15               | 1069891            | 2-58                         | 1200634            | 3-23               |
| 1059316            | 2-41               | 1069894            | 2-47                         | 1200642            | 3-35               |
| 1059317            | 2-39               | 1069897            | 2-47                         | 1200649            | 2-37               |
| 1059338            | 2-41               | 1070042            | 3-37                         | 1200665            | 3-33               |
| 1059342            | 3-5                | 1070384            | 3-37                         | 1200689            | 2-33               |
| 1059498            | 2-41               | 1070402            | 3-37                         | 1200713            | 3-27               |
| 1059534            | 3-15               | 1070498            | 3-37                         | 1200732            | 3-33               |
| 1059938            | 3-5                | 1070508            | 3-45, 3-47                   | 1200735            | 2-23               |
| 1059969            | 2-41               | 1070541            | 3-37                         | 1200737            | 2-35               |
| 1059990            | 2-41               | 1070586            | 1-1                          | 1200746            | 2-35               |
| 1060128            | 3-33               | 1070587            | 3-39                         | 1200764            | 2-23               |
| 1060428            | 3-33               | 1070659            | 3-37                         | 1200774            | 2-23               |
| 1060440            | 3-35               | 1070956            | 2-58                         | 1200792            | 2-45               |
| 1060536            | 3-35               | 1070978            | 3-37                         | 1200827            | 2-11               |
| 1060626            | 2-7                | 1071084            | 3-49                         | 1200828            | 2-11               |
| 1060691            | 3-35               | 1071085            | 3-27                         | 1200834            | 2-35               |
| 1060708            | 3-35               | 1071798            | 3-43                         | 1200869            | 2-9                |
| 1060718            | 3-35               | 1073882            | 3-45                         | 1200870            | 2-9                |
| 1060720            | 3-35               | 1200011            | 2-33                         | 1200897            | 2-47               |
| 1060756            | 3-48               |                    |                              | 1200898            | 2-29               |

**CROSS REFERENCE**

| <b>Part Number</b> | <b>Page Number</b> | <b>Part Number</b> | <b>Page Number</b>     | <b>Part Number</b> | <b>Page Number</b> |
|--------------------|--------------------|--------------------|------------------------|--------------------|--------------------|
| 1200900            | 2-29               | 1201499            | 3-9                    | 1203439            | 3-21               |
| 1200913            | 2-47               | 1201501            | 3-45                   | 1203454            | 3-15, 3-27         |
| 1200918            | 2-45               | 1201503            | 3-9                    | 1203695            | 3-37               |
| 1200939            | 3-23               | 1201504            | 3-9                    | 1203717            | 2-45               |
| 1200984            | 2-9                | 1201534            | 2-19                   | 1203758            | 1-1, 2-29          |
| 1200998            | 3-17               | 1201535            | 2-19                   | 1203814            | 3-15               |
| 1200999            | 2-15               | 1201550            | 3-13                   | 1203848            | 2-37               |
| 1201024            | 2-45               | 1201572            | 2-3                    | 1203946            | 2-15               |
| 1201033            | 2-23               | 1201574            | 2-27                   | 1203947            | 3-33               |
| 1201053            | 1-1, 2-25          | 1201575            | 3-23                   | 1203958            | 2-15               |
| 1201061            | 3-11               | 1201588            | 2-39                   | 1203996            | 3-15, 3-17         |
| 1201077            | 2-39               | 1201609            | 3-21                   | 1204024            | 3-15               |
| 1201079            | 2-39               | 1201610            | 3-21                   | 1204077            | 2-59               |
| 1201080            | 2-23               | 1201823            | 1-1, 2-43              | 1204142            | 3-49               |
| 1201094            | 3-23               | 1201824            | 1-1, 2-43              | 1204170            | 2-19               |
| 1201096            | 3-33               | 1201825            | 1-1, 2-43              | 1204176            | 2-19               |
| 1201101            | 3-23               | 1201826            | 1-1, 2-43              | 1204177            | 2-17               |
| 1201103            | 2-11               | 1201864            | 2-21                   | 1204185            | 2-23               |
| 1201126            | 2-27               | 1201875            | 2-37                   | 1204335            | 2-27               |
| 1201127            | 2-25               | 1201894            | 2-13                   | 1204338            | 3-15, 3-17         |
| 1201137            | 3-23               | 1201926            | 2-3                    | 1204540            | 3-21               |
| 1201149            | 3-21               | 1201927            | 2-3                    | 1204541            | 3-21               |
| 1201150            | 2-19               | 1201928            | 2-3                    | 1204542            | 3-21               |
| 1201157            | 2-35               | 1201996            | 2-23                   | 1204543            | 3-21               |
| 1201164            | 3-29               | 1201997            | 3-49                   | 1204847            | 3-9                |
| 1201180            | 2-17               | 1202100            | 2-31                   | 1204957            | 2-41               |
| 1201185            | 1-1, 2-25          | 1202156            | 2-11                   | 1205295            | 2-15               |
| 1201190            | 2-25               | 1202159            | 1-1, 2-31, 2-33        | 1205426            | 2-59               |
| 1201210            | 2-45               | 1202160            | 1-1, 2-31, 2-33        | 1205666            | 3-51               |
| 1201212            | 2-21               | 1202221            | 2-33                   | 1205724            | 2-59               |
| 1201215            | 2-25               | 1202243            | 2-31                   | 1205727            | 2-39               |
| 1201247            | 3-13               | 1202246            | 3-9                    | 1205741            | 2-59               |
| 1201253            | 2-17               | 1202247            | 3-9                    | 1205743            | 2-59               |
| 1201267            | 2-37               | 1202289            | 2-9                    | 1205753            | 2-17, 2-19         |
| 1201303            | 2-49               | 1202301            | 2-27                   | 1205764            | 2-15               |
| 1201310            | 3-15               | 1202308            | 2-21                   | 1205850            | 1-1, 2-41          |
| 1201313            | 3-27               | 1202349            | 2-9                    | 1205877            | 3-50               |
| 1201314            | 3-33               | 1202392            | 2-9                    | 1205889            | 3-50               |
| 1201327            | 3-21               | 1202430            | 2-25                   | 1205975            | 2-25, 2-27         |
| 1201336            | 3-27               | 1202521            | 3-25                   | 1206036            | 3-45, 3-47         |
| 1201340            | 2-35               | 1202600            | 2-17                   | 1206052            | 3-45, 3-47         |
| 1201341            | 2-29               | 1202601            | 2-19                   | 1206096            | 3-45, 3-47         |
| 1201343            | 3-21               | 1202694            | 3-23                   | 1206254            | 3-45               |
| 1201344            | 3-21               | 1202779            | 2-9                    | 1206757            | 2-47               |
| 1201345            | 3-21               | 1202800            | 2-15                   | 1206774            | 2-37               |
| 1201354            | 2-23               | 1202860            | 2-45                   | 1206776            | 3-17               |
| 1201357            | 3-13               | 1202862            | 2-45                   | 1206778            | 3-15               |
| 1201370            | 2-41               | 1202864            | 2-45                   | 1206779            | 3-15, 3-17         |
| 1201379            | 3-15               | 1202867            | 3-33                   | 1207171            | 2-7                |
| 1201393            | 3-33               | 1202868            | 2-21, 2-45, 3-7, 3-45, | 1208612            | 2-19               |
| 1201423            | 3-33               |                    | 3-47                   | 1208622            | 2-19               |
| 1201428            | 2-15               | 1202869            | 2-45                   | 1208625            | 2-19               |
| 1201434            | 2-35               | 1202870            | 3-3                    | 1212213            | 2-43               |
| 1201441            | 3-17               | 1202892            | 3-3                    | 1220199            | 2-3                |
| 1201447            | 2-27               | 1202914            | 3-25                   | 1220230            | 2-5                |
| 1201452            | 3-11               | 1202941            | 2-9                    | 1220231            | 2-5                |
| 1201453            | 2-31, 2-33         | 1202957            | 2-11                   | 1220232            | 2-5                |
| 1201455            | 2-31               | 1203025            | 2-9                    | 1220235            | 2-3                |
| 1201489            | 2-41               | 1203336            | 2-23                   | 1220236            | 2-3                |
| 1201496            | 3-9                | 1203438            | 3-27                   | 1220241            | 2-3                |

**CROSS REFERENCE**

| <b>Part Number</b> | <b>Page Number</b>  | <b>Part Number</b> | <b>Page Number</b> | <b>Part Number</b> | <b>Page Number</b>                   |
|--------------------|---|--------------------|--------------------|--------------------|--------------------------------------|
| 1220243            | 2-5   | 25312              | 3-50               | 397609             | 2-47                                 |
| 1221543            | 2-3   | 26428              | 2-17               | 397889             | 3-29                                 |
| 12309              | 3-11, 3-23, 3-25  | 29570              | 2-15, 2-37         | 397916             | 2-3                                  |
| 12317              | 2-7, 2-39, 3-9, 3-25  | 29584              | 2-23, 3-23         | 397976             | 2-3                                  |
| 12323              | 3-33, 3-37  | 30241              | 2-3                | 398500             | 3-33                                 |
| 12333              | 2-35  | 32483              | 3-5                | 398501             | 2-17, 2-19                           |
| 130155             | 3-40, 3-41  | 32485              | 2-19               | 398526             | 3-5                                  |
| 130773             | 2-7, 2-21, 2-37, 2-45,<br>2-49, 3-7, 3-27, 3-39,<br>3-49, 4-3 | 32490              | 2-19, 2-47, 3-7    | 398806             | 2-21                                 |
| 140011             | 2-15, 2-45, 2-47, 3-15,<br>3-17, 3-45, 3-47, 3-50             | 32491              | 2-17, 2-19, 2-21   | 41140              | 2-45                                 |
| 140045             | 3-11, 3-25  | 32492              | 2-21, 3-9, 3-13    | 41141              | 2-7, 2-23                            |
| 140154             | 2-37  | 32493              | 2-17, 2-41         | 41178              | 2-11                                 |
| 140825             | 2-17, 2-19, 2-35, 3-3,<br>3-51                                | 32509              | 4-3                | 41186              | 2-25, 2-29, 3-21                     |
| 140916             | 3-37  | 32520              | 2-9, 2-11, 2-15    | 41358              | 2-7                                  |
| 140932             | 3-51  | 32548              | 2-27               | 41360              | 2-29                                 |
| 14464              | 2-15  | 32598              | 3-33               | 41430              | 3-13                                 |
| 14799              | 2-19  | 32746              | 2-3, 2-5           | 41437              | 2-13, 2-15                           |
| 14838              | 2-3, 2-5  | 32978              | 3-29               | 41579              | 2-3, 4-3                             |
| 150208             | 3-15  | 32982              | 2-47               | 41702              | 2-47                                 |
| 150538             | 3-15  | 33584              | 3-33               | 43555              | 3-15, 3-27                           |
| 150713             | 3-15  | 33924              | 2-7                | 43844              | 3-15, 3-17, 3-27, 4-3                |
| 15539              | 2-3   | 33932              | 3-33, 4-3          | 44906              | 2-9, 2-23, 2-31, 2-33,<br>2-41, 3-23 |
| 15675              | 2-21, 3-21  | 33944              | 2-47               | 46983              | 3-13                                 |
| 15678              | 2-37  | 360369             | 2-13, 2-15         | 47388              | 3-33                                 |
| 16411              | 1-1   | 360370             | 2-13, 2-15         | 49263              | 3-5                                  |
| 16412              | 1-1   | 360460             | 2-35               | 49266              | 3-5                                  |
| 16735              | 2-19  | 360943             | 2-5                | 49694              | 2-43                                 |
| 16931              | 2-17, 2-19  | 360973             | 3-51               | 49697              | 2-35                                 |
| 16944              | 2-37  | 361076             | 2-17, 2-19         | 49883              | 3-23                                 |
| 19064              | 3-37  | 361144             | 1-1, 2-17, 2-19    | 49891              | 2-37                                 |
| 19066              | 2-11, 3-5, 3-7  | 363162             | 1-1, 2-43          | 54333              | 2-25, 2-49, 3-27, 3-33,<br>4-3       |
| 19315              | 3-5   | 363301             | 2-43               | 54618              | 3-23                                 |
| 19676              | 2-21, 3-9   | 363469             | 2-31, 2-33         | 57248              | 3-15                                 |
| 20802              | 2-11  | 36428              | 2-17               | 57598              | 2-9                                  |
| 20950              | 3-27  | 365180             | 2-23               | 578430             | 2-41                                 |
| 222177             | 2-29  | 367313             | 2-23               | 58670              | 2-47                                 |
| 222184             | 2-29  | 369359             | 3-9                | 59658              | 2-35                                 |
| 222267             | 3-5   | 370092             | 2-3                | 600437             | 2-47                                 |
| 222280             | 2-49  | 370095             | 2-3, 2-5           | 601359             | 2-47                                 |
| 222290             | 2-45  | 37016              | 3-29               | 611221             | 2-49, 3-37                           |
| 222460             | 2-15  | 372874             | 4-4                | 630146             | 2-39                                 |
| 222505             | 3-21  | 373117             | 3-45, 3-47         | 630371             | 2-25, 2-27                           |
| 222516             | 2-23, 3-23  | 377084             | 3-3, 3-5, 3-7      | 63248-1            | 2-3                                  |
| 222752             | 2-29  | 377364             | 2-25, 3-21         | 63248-2            | 2-3                                  |
| 222818             | 2-29  | 377537             | 1-1                | 63248-3            | 2-3                                  |
| 223065             | 2-17, 2-19  | 377538             | 1-1                | 63248-4            | 2-3                                  |
| 223198             | 2-25, 2-27, 3-15  | 377540             | 1-1                | 63810              | 2-25, 2-27                           |
| 223355             | 2-49  | 378805             | 2-29               | 64425              | 2-31, 2-33                           |
| 223356             | 2-49, 3-39  | 379013             | 2-5                | 64778              | 3-33                                 |
| 223361             | 2-49, 3-39  | 379829             | 2-23               | 68872              | 3-39                                 |
| 223364             | 3-39  | 381962             | 2-11               | 68873              | 3-39                                 |
| 230735             | 2-35  | 382726             | 2-11               | 69225              | 3-9                                  |
| 24199              | 2-15, 2-45, 3-37  | 383724             | 2-47               | 69234              | 2-7, 3-37                            |
| 24265              | 2-21, 2-45, 3-29  | 385685             | 2-35               | 70246              | 3-29                                 |
| 24299              | 2-3, 2-5  | 390996             | 2-29               | 70651              | 2-19                                 |
| 24584              | 3-33  | 391345             | 2-43               | 71579              | 2-7                                  |
| 25005              | 2-47  | 391365             | 2-25, 3-27         | 71607              | 2-31, 2-33                           |
|                    |   | 39277              | 2-17, 2-19         | 74455              | 3-7                                  |
|                    |   | 39283              | 2-21               | 75939              | 2-47                                 |
|                    |   | 39308              | 3-23               |                    |                                      |

**CROSS REFERENCE**

| <b>Part Number</b> | <b>Page Number</b> | <b>Part Number</b> | <b>Page Number</b> |
|--------------------|--------------------|--------------------|--------------------|
| 76062              | 2-47               | 9010353            | 3-5                |
| 763064             | 3-23               | 9010356            | 3-35               |
| 763115             | 3-45, 3-47         | 9010919            | 2-39               |
| 763149             | 3-35               | 9010920            | 2-35               |
| 769785             | 3-33               | 9010921            | 2-35               |
| 79246              | 2-31, 2-33         | 9010922            | 2-45               |
| 80395              | 3-45, 3-47         | 9010924            | 2-9                |
| 80409              | 2-23, 3-21         | 9010925            | 2-9                |
| 80921              | 2-15               | 9010926            | 3-25               |
| 82226              | 2-17, 2-19         | 9010927            | 2-27               |
| 82833              | 2-7                | 9010928            | 2-21               |
| 83159              | 3-5, 3-7           | 9010929            | 3-21               |
| 83415              | 2-49               | 9010930            | 2-21               |
| 86240              | 3-23               | 9010931            | 2-45               |
| 86308              | 3-35               | 9010932            | 2-45, 3-29         |
| 87318              | 2-47               | 9010933            | 3-15, 4-3          |
| 87435              | 2-49, 3-39         | 9010934            | 2-19               |
| 89046              | 2-5                | 9010935            | 1-1, 2-29          |
| 89047              | 2-5                | 9010936            | 3-33               |
| 89048              | 2-5                | 9010937            | 2-41               |
| 89049              | 2-5                | 9010938            | 3-23               |
| 9000845            | 3-5, 3-7           | 9010939            | 2-29               |
| 9000879            | 3-5, 3-7           | 9010940            | 2-29               |
| 9001054            | 3-41               | 9010941            | 3-23               |
| 9001055            | 3-40               | 9010942            | 2-19               |
| 9001062            | 3-41               | 9010943            | 2-19               |
| 9006268            | 4-3                | 9011048            | 4-5                |
| 9008155            | 3-35               | 9011049            | 4-4                |
| 9008182            | 3-3                | 9011051            | 4-4                |
| 9008544            | 4-5                | 9011052            | 4-5                |
| 9008550            | 4-5                | 9011053            | 4-5                |
| 9008551            | 4-5                | 9011054            | 3-23               |
| 9008552            | 4-5                | 9011055            | 3-23               |
| 9008553            | 4-5                | 9011057            | 2-11               |
| 9008555            | 4-5                | 9011058            | 2-11               |
| 9008556            | 4-5                | 9011140            | 3-52               |
| 9008557            | 4-5                | 9011168            | 2-21               |
| 9008719            | 4-4                | 9011173            | 2-35               |
| 9008737            | 3-21               | 9011663            | 3-15               |
| 9009577            | 2-25               | 9011872            | 2-7                |
| 9009632            | 2-11               | 9011916            | 4-6                |
| 9009817            | 2-43               | 9012603            | 4-5                |
| 9009836            | 2-15               | 9012729            | 3-52               |
| 9009848            | 3-13               | 9013157            | 2-19               |
| 9009852            | 3-33               | 9013277            | 2-17               |
| 9009857            | 3-11               | 9013613            | 2-23               |
| 9009866            | 3-45               | 9013899            | 4-5                |
| 9009870            | 3-48               | 9013900            | 4-5                |
| 9009890            | 3-52               | 9013901            | 4-5                |
| 9009910            | 3-52               | 9013931            | 4-6                |
| 9009911            | 3-52               | 9013934            | 4-6                |
| 9009912            | 3-52               | 9014662            | 2-3, 2-5           |
| 9009913            | 3-52               | 9014664            | 2-5                |
| 9009914            | 3-52               | 9014666            | 2-3                |
| 9009915            | 3-52               | 9020262            | 4-3                |
| 9009916            | 3-52               | 94877              | 2-41               |
| 9009917            | 3-52               |                    |                    |
| 9009990            | 3-37               |                    |                    |
| 9010301*           | 3-49               |                    |                    |
| 9010351            | 3-7                |                    |                    |

**PART DESCRIPTION TO PAGE NUMBER CROSS REFERENCE LIST****A**

Actuator Kit, Sba, Afmkt [T12], 3-23  
 Actuator, 36vdc, 02.0strk, 0180lb, 2-41  
 Actuator, 36vdc, 3.9strk, 450lb, 2-23  
 Adapter, Swivel, 1.75, Abs, 3-35  
 Alarm, 9-48vdc, 95 Db(A) [Ec-H20], 2-21  
 Alarm, Backup, 12-48vdc, Adj, 3-5  
 Angle, Latch, 2-15  
 Angle, Mtg, Antenna, Telem, 3-37  
 Angle, Mtg, Tank, 2-35  
 Angle, Stil, Perforated .03 1.4 1.4 22l, 2-27  
 Angle, Support, 2-11  
 Antenna, Telem, 70 In [Gprs], 3-37  
 Arm Assy, Lift, Actuator, 3-23  
 Arm Kit, Lift, Scb [T12], 2-23  
 Arm Wldt, Pivot (Replced by 9013613), 2-23  
 Arm, Lift, Sqge, 2-41  
 Assy, Seal, Mtg, Vacfan, 2-37

**B**

Base, Module, Light, 3-5  
 Battery, Wet, 06vdc 0240ah, 2-49  
 Battery, Wet, 06vdc 0240ah, W/O Carton, 1-1  
 Battery, Wet, 06Vdc 0360Ah, W/Carlton, 3-39  
 Battery, Wet, 06vdc 0360ah, W/O Carton, 1-1  
 Bearing [6003 2RS], 4-4  
 Bearing, Ball [91962 2rs], 4-5  
 Bearing, Ball, 0.24b 0.51d 0.20w [2seal], 3-35  
 Bearing, Ball, 0.59b 1.26d 0.35w[2seal], 2-29  
 Bearing, Flng, 2hole, 0.75b, 2-17, 2-19  
 Bearing, Flng, 2hole, 0.75b [Nyl], 2-17, 2-19  
 Bearing, Flng, 2hole, 1.25b, 2-19  
 Bearing, Journal, 0.75b 0.88d 0.75l, 2-19  
 Bearing, Motor, Ele, 4-6  
 Bearing, Pillowblock, 1.12b, 2-19  
 Bearing, Steering, 4-4  
 Bellcrank, Lift, Sqge [T12], 2-31, 2-33  
 Belt, Cyl Head, W/Too;l, Afmkt, 2-29  
 Belt, Drive, 2-29  
 Belt, Drive, 7 Grv, 1-1  
 Bezel, Headlight, Lh [W/Inserts], 3-3  
 Bezel, Headlight, Rh [W/Inserts], 3-3  
 Blade, Sqge, Front, 42.59l [Linard], 1-1, 2-43  
 Blade, Sqge, Front, 43.19l [Gum], 1-1  
 Blade, Sqge, Front, 43.19L [Gum] (Option), 2-43  
 Blade, Sqge, Front, 43.19l [Urethane], 1-1  
 Blade, Sqge, Front, 43.19l [Urethane] (Option), 2-43  
 Blade, Sqge, Front, Tile, Tile, 42.59L [Linard] (Option), 2-43  
 Blade, Sqge, Rear, Gum, 1-1

Blade, Sqge, Rear, Gum (Option), 2-43  
 Blade, Sqge, Rear, Linatex, 1-1, 2-43  
 Blade, Sqge, Rear, Urethane, 1-1  
 Blade, Sqge, Rear, Urethane (Option), 2-43  
 Blade, Sqge, Sba, Gum (Option), 3-21  
 Blade, Sqge, Sba, Inner, Gum (Option), 3-21  
 Blade, Sqge, Sba, Inner, Linard, 3-21  
 Blade, Sqge, Sba, Inner, Urethane (Option), 3-21  
 Blade, Sqge, Sba, Linatex, 3-21  
 Blade, Sqge, Sba, Urethane (Option), 3-21  
 Blade, Sqge, Side, 22.50l, Gum, 1-1  
 Blade, Sqge, Side, 22.50l, Gum (Option), 2-31, 2-33  
 Blade, Sqge, Side, 22.50l, Linatex, 1-1  
 Blade, Sqge, Side, 22.50l, Linatex (Standard), 2-31, 2-33  
 Blade, Sqge, Side, 22.50l, Ure, 1-1  
 Blade, Sqge, Side, 22.50l, Urethane (Option), 2-31, 2-33  
 Block, Guide, Sqge, 2-33  
 Block, Sqge, Guide, Rh, 2-31  
 Bolt, Shld, .41d X 0.35, M8 X 1.25, 3-33  
 Boot, 90deg .50id 1.00id 2.50l, Red, 2-47, 2-49  
 Boot, Terminal, Battery, 02-01Ga, Blk, 3-39  
 Boot, Terminal, Battery, 02-01Ga, Red, 3-39  
 Boot, Terminal, Battery, 25.4mm, Blk, 2-49, 3-37  
 Bracket Wldt, Brg, 2-19  
 Bracket Wldt, Bumper, 3-11  
 Bracket Wldt, Latch, 2-15  
 Bracket Wldt, Latch, Lh, 2-9  
 Bracket Wldt, Mount, Sba, 3-25  
 Bracket Wldt, Mtg, Box, 3-37  
 Bracket Wldt, Skid, Anti-Roll, 3-25  
 Bracket Wldt, Sppt, Brg, 2-17, 2-19  
 Bracket Wldt, Sppt, Seat, 2-39  
 Bracket, Bumper, Right, 2-9  
 Bracket, Catch, Latch, 3-51  
 Bracket, Circuit Board, Sba, 3-29  
 Bracket, Ele, Cb [T12], 2-21  
 Bracket, Mtg, Ball Stud, 2-15  
 Bracket, Mtg, Brg, 2-17  
 Bracket, Mtg, Cover, 2-35  
 Bracket, Mtg, Extinguisher, 3-50  
 Bracket, Mtg, Panel, 2-45  
 Bracket, Mtg, Tank, 2-35  
 Bracket, Pivot, Spring, 2-23  
 Bracket, Protector, Float Switch, 2-35  
 Bracket, Pump, 3-27  
 Bracket, Pump, Soltn, 3-15  
 Bracket, Pump, Spray, 3-33  
 Bracket, Retainer, Pin, 2-27  
 Bracket, Retainer, Spring, 2-3, 2-5  
 Bracket, Scrbr, Watertube, 2-27  
 Bracket, Soltn [Ec-H20], 3-15

Bracket, Sppt, Door, 3-25  
 Bracket, Sppt, Tank, Lh, 2-39  
 Bracket, Sppt, Tank, Rh, 2-39  
 Bracket, Stiffener, 2-45  
 Bracket, Support, Tank, Lh, 3-9  
 Bracket, Support, Tank, Rh, 3-9  
 Bracket, Valve, Large, 4-3  
 Brake, Rotor, 4-5  
 Brake, W/Lever, Complt, 4-5  
 Brush Assy, disk, Scb, 13.0d, , 2-5  
 Brush Assy, disk, Scb, 13.0D, Nylon, 2-5  
 Brush Assy, Disk, Scb, 13.0d, Nylon (Scrubbing) (Replaced by 1220230), 2-5  
 Brush Assy, disk, Scb, 13.0D, Polypropylene, 2-5  
 Brush Assy, Disk, Scb, 13.0d, Polypropylene Stiff (Scrubbing) (Replaced by 1220231), 2-5  
 Brush Assy, Disk, Scb, 13.0d, Super Abrasive (Scrubbing) (Replaced by 1220232), 2-5  
 Brush Assy, Disk, Scb, 16.0d, Nylon (Replaced by 1220235), 2-3  
 Brush Assy, Disk, Scb, 16.0d, Polypropylene (Replaced by 1220241), 2-3  
 Brush Assy, Disk, Scb, 16.0d, Polypropylene Stiff (Replaced by 1220236), 2-3  
 Brush Assy, Disk, Scb, 16.0d, Super Abrasive (Replaced by 1221543), 2-3  
 Brush Assy, Disk, Scrub, 16.0D, Nylon, 2-3  
 Brush Assy, Disk, Scrub, 16.0D, Polypropylene, 2-3  
 Brush Assy, Disk, Scrub, 16.0D, Polypropylene Stiff, 2-3  
 Brush Assy, Disk, Scrub, 16.0D, Super Abrasive, 2-3  
 Brush Kit, Hub Assy, Drive, Ci (HDPE IN), 2-5  
 Brush Kit, Hub Assy, Drive, Ci (HDPE), 2-5  
 Brush Kit, Hub Assy, Drive, Ci [Hdpe In], 2-3  
 Brush Kit, Hub Assy, Drive, Ci [Uhmw], 2-3  
 Brush Kit, Motor, 2-25, 4-6  
 Brush Kit, Motor, 1052754, 3-21  
 Brush Kit, Motor, Fan, 2-37  
 Brush, Scb, 31l, 18sr, Polyester, Spl, 2-3  
 Brush, Scb, 31l, 18sr, Polypropylene, 2 Way, Spl, 2-3  
 Brush, Scb, 31l, 18sr, Polypropylene, Spl, 2-3  
 Brush, Scb, 31l, 18sr, Super Abrasive, 2-3  
 Bumper Kit, Front, Hd, Ci [T12], 3-11  
 Bumper, Lh, Afmkt [T12], 2-9  
 Bumper, Rbr, 1.0 Hex, 2-27  
 Bumper, Rbr, 1.0d 0.38th .25-20, 2-11  
 Bumper, Rh, Afmkt [T12], 2-9

**CROSS REFERENCE**

Bumper, Sba, Afmkt [T12], 3-25  
 Bumper, Ure, 1.50d 1.25l, 3-9  
 Bushing, Flex, Ure, 2-41  
 Bushing, Flng, 0.50b 0.59d 0.25l, 2-23, 2-41, 3-23  
 Bushing, Flng, 0.63B 0.72D 0.25L, 2-23  
 Bushing, Flng, 1.00b 1.13d 0.50l, 2-23  
 Bushing, Flng, 1.00b 1.13d 1.00l, 3-23  
 Bushing, Flng, 1.75b 1.94d 1.50l, 3-23  
 Bushing, Sleeve, 0.63b 0.72d 0.38l, 2-31, 2-33  
 Bushing, Sleeve, 1.00b 1.13d 1.750l, Fgl, 3-33  
 Bushing, Snap-In, 0.25b 0.31d 0.08th Nyl, 2-15

**C**

Cable Assy, 04ga .34ring /.34ring, 175a, 2-49, 3-39  
 Cable Assy, 10ga .25ring /.31ring, 050a, 2-47  
 Cable Assy, 4ga [T12 - Telemetry], 3-37  
 Cable Assy, 6ga [6100e - Telemetry], 3-45, 3-47  
 Cable Assy, power [T12], 2-58  
 Cable, 04ga 08.0l Blk .34ring /.34ring, 2-49  
 Cable, 04ga 12.0l Blk .34ring /.34ring, 2-49, 3-39  
 Cable, 04ga 18.0l Blk .34ring /.34ring, 3-39  
 Cable, 06ga 5.5l Brown .25ring /.312ring, 2-47  
 Cable, 4ga, Blk [6200e, Telemetry], 3-37  
 Cable, Battery, 4ga, .25ring / .312ring, 2-47  
 Cable, Charger Eu Bc5 & 7, 3-43  
 Cable, Charger Uk, Bc5 & 7 (UK Only), 3-43  
 Cable, Glv .09d 013.0l .38eye /.38eye, 2-21, 3-9  
 Cap, Battery, 2-49, 3-39  
 Cap, Fill, Battery [Trojan], 3-49  
 Cap, Hub, Wheel [For 1060626], 2-7  
 Cap, Tank, 2-39  
 Cap, Wheel, Steering, 2-17  
 Capacitor, Plug [.01 Uf, 200V], 3-15  
 Caster Assy, Swivel, 1-1, 2-41  
 Catch, Snap, Push, Mal, 3-35  
 Chain, Rlr, 35 X 35 Pitches, 2-19  
 Chain, Steering W/Link, 4-4  
 Channel Wldt, Bumper, Lh, 3-9  
 Channel Wldt, Bumper, Rh, 3-9  
 Channel Wldt, Rlr, 2-9  
 Channel Wldt, Seat, 2-11  
 Channel Wldt, Steering, Pntd, 2-21  
 Charger Kit, 36vdc 021a, 1ph, Ci, 3-41  
 Charger Kit, 36vdc 021a, 1ph, Domestic, Ci, 3-40  
 Charger Kit, 36Vdc 21A 85-265Vac, 1Ph 45/65Hz, 3-41  
 Charger Kit, On-Board, Us Ci [T12], 3-45  
 Charger, 36Vdc 030A Wet Sb050G 230Vac, 3-43  
 Charger, 36vdc 20a 115vac [Ob Us], 3-45

Charger, 36vdc 20a 230/240vac [Ob Exp]], 3-47  
 Circuit Board Kit, Ec-H2o, Afmkt [T12], 4-3  
 Circuit board Kit, H20\_Sba, Afmkt [T12], 2-45  
 Circuit Board Kit, H2o\_Sba, Afmkt [T12], 3-29  
 Circuit Board Kit, Scrub, Afmkt [T12], 2-45  
 Circuitbreaker, 02.5a, Resetable, 2-47, 3-3, 3-5, 3-7, 3-29  
 Circuitbreaker, 15.0a, Resetable, 3-3, 3-5, 3-7  
 Circuitbreaker, 20.0a, Resetable, 3-29  
 Circuitbreaker, 25.0a, Resetable, 2-47  
 Circuitbreaker, 60.0a, resetable, 2-47  
 Clamp Wldt, Retainer, Sqge, 2-43  
 Clamp, Cable, Nyl, 0.62d, Nat, 3-37  
 Clamp, Cable, Ss, 0.50D X 0.50W [Insul], 2-25, 3-15  
 Clamp, Cable, Stil, 0.63d X 0.50w, 1hole, 3-33  
 Clamp, Cable, Stil, 0.75d X 0.75w, 1hole, 3-23  
 Clamp, Cable, Stil, 0.9x1.8x0.62w, 1hole, 2-7, 2-17, 2-19  
 Clamp, Cable, Stil, 1.00d X 0.75w, 1hole, 2-7, 3-37  
 Clamp, Hose, Wormdrive, 0.25-0.62d, .31w, 3-15, 3-17, 3-27, 4-3  
 Clamp, Hose, Wormdrive, 0.31-0.88d, .31w, 2-25, 2-49, 3-27, 3-33, 4-3  
 Clamp, Hose, Wormdrive, 0.56-1.06d, .56w, 2-25, 2-27  
 Clamp, Hose, Wormdrive, 2.62-3.50d, 3-15, 3-27  
 Clamp, Hose, Wormdrive, 4.63-5.50, 0.5w, 2-35  
 Clamp, Hose, Wormdrive, 5.56-6.50d, .56w, 2-37  
 Clamp, Pivot, Link, 2-41  
 Clevis, 0.31d X 0.75l, 2-31, 2-33  
 Clip, Hose, Plstc 1.88-2.12, 2-35  
 Clip, Tie, 0.25d, Plstc, 2-21, 2-45, 3-7, 3-27, 3-45, 3-47  
 Connector, Battery, 6ga 50a, Gray[2cont], 3-40, 3-41  
 Contactor, 36vdc, No, 2-47  
 Controlbox Assy, Telem [3G, Intl], 3-37  
 Controlbox Assy, Telem [Usa, 3G], 3-37  
 Controller, 36vdc, 200a [Ac Propel], 2-21  
 Cord, Chrgr, Ele [European], 3-47  
 Cord, Chrgr, Ele [European], 3-41  
 Cord, Chrgr, Ele, [Japanese], 3-41  
 Cord, Extn, 16ga /3, 10ft [Sjt], 3-40  
 Cord, Power, 1.0mm2/3 Blk[2.5Meter, Australia], 3-47  
 Cord, Power, 14/3, 15A, 15ft Blk [Us], 3-45  
 Coupling, Sqge, 2-41  
 Cover, Access, Chrgr, Trimmed, 3-45  
 Cover, Access, Vacfan, Trimmed, 3-33  
 Cover, Belt, 2-29  
 Cover, Box, Circuitboard, 2-45  
 Cover, Box, Connector, 4-5

Cover, Fan, Vacuum, 2-37  
 Cover, Module, Light, 3-5  
 Cover, Motor, Drive, 4-5  
 Cover, Motor, Sba, Afmkt [T12], 3-21  
 Cover, Plstc, Hub, Alm, 4-5  
 Cover, Recovery Tank, Afmkt [T12], 2-35  
 Cuff, Adapter, 1.75 X 2.00, Pvc, 3-35

**D**

Debris Tray, Cyl, Afmkt [T12], 2-27  
 Device, Centering, Clip On, Ti [Gf Pp], 2-3  
 Device, Centering, Clip On, TI [Gf Pp], 2-5  
 Diode, Ele, Plug, 2-45, 3-33  
 Disk, Driver, )Pad, W/Face, 13.0D, 2-5  
 Disk, Driver, Pad, W/Face, 16.0D, 2-3  
 Door, Brush, 2-29  
 Door, Casting, Squeegee, Lh, 2-33  
 Door, Casting, Squeegee, Rh, 2-31  
 Driver Assy, Pad, 13.0D, 2-5  
 Driver Assy, Pad, 13.0d (Replaced by 1220243), 2-5  
 Driver Assy, Pad, 16.  
 (Replaced by 1220199), 2-3  
 Driver Assy, Pad, 16.0D, 2-3  
 Duct, Outlet, Heat, 3-45, 3-47  
 Dvd, Operator [T12], 3-52

**E**

Ec-H2o Module Kit, Afmkt [T12], 4-3  
 Ech20 Module, Afmkt [T12] (See Breakdowns), 3-15  
 Electrode, 5 Plate, High Flow, 4-3  
 Electrode, Cylindrical, 4-3  
 Extinguisher, Fire, 2.5 Lb Dry, 3-50

**F**

Fan, Vac, 6.6 Dia, Ametek, 2-37  
 Fastener, 09.00l [Hook & Loop], 3-15  
 Fastener, 25.0 [Hook & Loop], 2-37  
 Filter, Panl, Dust, 2.3 X 04.5 X 06.4, 2-35  
 Filter, Soltn, 020Mesh, Pm12 3.1D 02.6L, 2-39  
 Filter, Soltn, 080 Mesh, Pm12 3.2d 6.0l, 3-15  
 Fitting Assy, Soltn, Bh, 2-39  
 Fitting, Brs, E90, Bm06/Pm06, Short, 3-33  
 Fitting, Brs, E90, Em08/Pm06, 3-33  
 Fitting, Brs, E90, Pf06/Pm06, Splc, 3-33  
 Fitting, Brs, Str, Bm06/Pm02, 4-3  
 Fitting, Brs, Str, Pf06/Pm12, 3-33  
 Fitting, Brs, Str, Pm02, Plug [Skhd], 3-15  
 Fitting, Plstc, E90, Bm04 Cplg Male, 3-15  
 Fitting, Plstc, E90, Bm04/Pm04, Nyl, 3-17  
 Fitting, Plstc, E90, Bm05/Pm02, Nyl, 4-3  
 Fitting, Plstc, E90, Bm06/Pm04, Nyl, 3-15  
 Fitting, Plstc, E90, Bm06/Pm06, Nyl, 3-15, 3-27  
 Fitting, Plstc, E90, Bm08/Pm06, 3-33  
 Fitting, Plstc, E90, Bm10/Bm10, 2-25, 3-27

Fitting, Plstc, E90, Bm10/Pm08, 2-25, 2-27  
 Fitting, Plstc, Pf04/Pf04/Pf04, 3-17  
 Fitting, Plstc, Rst, 3-17  
 Fitting, Plstc, Rst, Main Head, 3-17  
 Fitting, Plstc, Str, Bm04, Cplg, Male, 3-15, 3-17  
 Fitting, Plstc, Str, Bm04, Cplg, Fem[Tco], 3-17  
 Fitting, Plstc, Str, Bm04/Bm04, 3-15, 3-17  
 Fitting, Plstc, Str, Bm04/Bm06, 3-17  
 Fitting, Plstc, Str, Bm05, Cplg, Fem, 3-15, 3-17  
 Fitting, Plstc, Str, Bm06, Cplg, Fem, 3-15, 3-27  
 Fitting, Plstc, Str, Bm06, Cplg, Male, 3-15  
 Fitting, Plstc, Str, Bm06, Mplg, Male, 3-27  
 Fitting, Plstc, Str, Bm06/Bm06, 3-27  
 Fitting, Plstc, Str, Bm06/Pm06, 3-15  
 Fitting, Plstc, Str, Bm10/Pm06, Nyl, 3-27  
 Fitting, Plstc, Str, Pm04, Cplg, Mal[Tco], 3-17  
 Fitting, Plstc, Str, Pm04/Pm04, 3-17  
 Fitting, Plstc, Tee, Bm04/Bm04/Bm04, 3-15  
 Fitting, Plug, Pm06, Nyl, 2-39  
 Fitting, Stil, Pm04/Pm02/Pm04/Pm02, Spcl, 3-15  
 Fitting, Stil, Str, Bm06/Pm06, Swivel, 3-33  
 Fitting, Swivel, Str, Pm06/Pm06, Brs, 3-33  
 Frame Wldt [T12], 2-7  
 Frame, Sqge, Inner, 2-43  
 Frame, Sqge, Outer, 2-43  
 Frame, Sqge, Side, Lh, 2-33  
 Frame, Sqge, Side, Rh, 2-31  
 Fuse, 080a, 0.88 2.4l, 125volt, Slow-Blow, 2-47  
 Fuse, 15a, Replmt, 3-45, 3-47  
 Fuse, 002A, 250Vdc, Cartridge, 3-37

**G**

Gas spring, 35lb, 8.0strk, 2-15  
 Gasket, Base, Module, 3-5  
 Gasket, Cover, Belt, 2-29  
 Gasket, Cover, Circuitboard, 2-45  
 Gasket, Ure, .50, 03.74w 05.31l, Adh, 2-35  
 Grip, Handle, .25d .90l Yel, 2-11  
 Grip, Lock, 2-43  
 Grommet, Blind, 4-3  
 Grommet, Rbr, 0.62id, F/0.9h, .12 Matl, 3-7  
 Guard Wldt, Top, Ohg, 3-13  
 Guard, Light, Revl / Strobe, 3-7  
 Guide, Hose, Hdpe [Cassoday], 3-33

**H**

Handle Assy, Latch, Seat, 2-15  
 Handle Kit, Wand, Afmkt, 3-35  
 Handle, Container, 2-11  
 Handle, Latch, 2-15  
 Harness, Cable, Propel Motor [T12], 2-58

Harness, Ele [Ec-H20, T12], 3-19  
 Harness, Ele, [Telemetry T12], 3-37  
 Harness, Ele, Ech2o [T12 Module], 4-3  
 Harness, Ele, Ohg [T12], 3-7  
 Harness, Main, Ele [T12], 2-58  
 Harness, Side Brush, Ele [T12], 3-31  
 Harness, Wire, Adapter [Deutsch, Dtp], 2-29  
 Harness, Wire, Alarm / Light [T16], 3-5  
 Harness, Wire, Propel Motor [T12], 2-58  
 Harness, Ele, Seat [T12], 2-58  
 Head Wldt, Scb, Cyl, 2-27  
 Head Wldt, Scrbr, Disc, 2-25  
 Hinge, Brush Door, Bent, 2-9  
 Hook Wldt, Latch, 2-31, 2-33, 2-43  
 Hook, Nozzle, Hdpe, 3-33  
 Horn, 36vdc, 110dba, 2-7  
 Hose Assy, Drain, 2.0 Id X 26.2l, Blk (Recovery Tank), 2-35  
 Hose Assy, Drain, 2.0 Id X 32.2 L, Blk (Solution Tank), 2-35  
 Hose Assy, Sqge, W/2cuff [Cassoday], 3-35  
 Hose, Afmkt, Pvc, Brd, 0.25ld, 01Ft, 3-17  
 Hose, Afmkt, Pvc, Brd, 0.25ld, 03Ft, 3-15  
 Hose, Afmkt, Pvc, Brd, 0.25ld, 08Ft, 3-15, 3-17  
 Hose, Afmkt, Pvc, Brd, 0.38id, 01ft, Clr, 3-15  
 Hose, Afmkt, Pvc, Brd, 0.38id, 02ft, Clr, 3-15  
 Hose, Afmkt, Pvc, Brd, 0.38id, 03ft, Clr, 3-15, 3-27  
 Hose, Afmkt, Pvc, Brd, 0.38id, 08ft, Clr, 3-27  
 Hose, Afmkt, Pvc, Brd, 0.50id, 03ft, Clr, 2-49  
 Hose, Afmkt, Pvc, Brd, 0.62id, 01ft, Clr, 3-27  
 Hose, Afmkt, Pvc, Brd, 0.62id, 03ft, Clr, 2-25, 2-27  
 Hose, Afmkt, Pvc, Brd, 01Ft, Clr, 4-3  
 Hose, Pvc, Brd, 0.38id, 01Ft, Clr, 4-3  
 Hose, Rbr, 0.38id, Bulk, Blk [Push-Lok], 3-33  
 Hose, Spray, Afmkt [T12], 3-33  
 Hose, Vacuum, 1.75id X 68.6l, 2 Cuff, 2-37  
 Housing, Bottom, 4-3  
 Housing, Sqge, Holder, Wheel, F/609648, 3-35  
 Housing, Upper, Module, High Flow, 4-3  
 Hub, Alm, 4-5  
 Hub, Drive, Brush, Disk, 0.75b [6t], 2-25, 3-21  
 Hub, Drive, Brush, Disk, 3hole 5.8bc, 2-3, 2-5  
 Hub, Drive, Brush, Disk, 3hole 5.8bc[6t], 2-3

**I**

Inductor, 12.7Mmid [156 Imp At 25Mz] (Australia Only), 2-37

Inductor, 18Mmid [156 Imp At 25Mhz] (Australia Only), 2-21  
 Inductor, 25Mmid [218 Imp At 25Mhz] (Australia Only), 2-21  
 Instr, Use&Care, Wallchart [T12], 3-52  
 Insulation, Acstc, 0.5, 10.4 X 13.0 C-0, 2-37  
 Iron Gray S/G  
 Enamel12.8oz[1cm101-00517], 1-1

**K**

Key, ignition, Sgl, 1-1, 2-17, 2-19  
 Key, Sq, 0.19 X 0.19, 0.50l, 2-29  
 Key, Sq, 0.19 X 0.19, 0.75l, 2-29  
 Key, Sq, 0.19 X 0.19, 1.00l, 2-17, 2-19  
 Key, Sq, 0.25 X 0.25, 1.00l, 2-25, 3-21  
 Key, Sq, 05mm X 05mm, 25mml, 2-29  
 Knob Assy, Star, 3.21d 5ear M12, 2-41

**L**

Label Set, Info/Hzrd [T12], 2-59  
 Label Set, Info/Hzrd, Tj [T12] (Japan Only), 2-59  
 Label, Circuitbreaker, 2-21, 2-47  
 Label, Date Code [Ec-H2o], 4-3  
 Label, Direction [Ec-H2o], 4-3  
 Label, Hzrd, Flammable Matl, Na, 2-59  
 Label, Hzrd, Flammable Matl, Tj (Japan Only), 2-59  
 Label, Logo [T12], 2-59  
 Label, Logo, 12.3l 4color [Ec-H2o], 2-59  
 Label, Module [Nsf, Ec-H2o], 4-3  
 Label, Opertnl, Console, Lh, 2-17, 2-19  
 Label, Opertnl, Console, Rh, 2-19  
 Label, Opertnl, Telem [Fcc/lc], 3-37  
 Label, Opertnl, Vacuum Wand Handle, 3-35  
 Label, Tag, Battery [Hydrolink Watering], 3-49  
 Lamp, Bulb, Strobe, 3-5, 3-7  
 Latch, 2-15, 2-21  
 Latch, Cmpr, Yel Grip, 2-31, 2-33  
 Latch, Compression, Sqge, Sba, 3-21  
 Latch, Draw, Rbr, W/ Keeper, Fr/49800, 3-51  
 Lens, Amb, F/ Revl / Flasher, 3-5, 3-7  
 Lens, Blu, F/ Revl / Flasher, 3-5, 3-7  
 Lens, Red, F/ Revl / Flasher, 3-5, 3-7  
 Lift channel Kit, Sba, Afmkt [T12], 3-23  
 Light Assy, Led, 3-5  
 Light Assy, Pre-Sweep, Afmkt, 3-3  
 Light kit, Strobe, Module, Ci [T12], 3-5  
 Light Kit, Warning, Ohg, Ci [T12], 3-7  
 Light, Strobe, Amb, 12-48vdc, Rwk, 3-5, 3-7  
 Link Wldt, Oprtr Station, 2-11  
 Link, Chain, Rlr, 35, 2-19  
 Link, Head Scb, 2-23  
 Link, Oprtr Station, 2-11  
 Link, Tensioner, Spring, 2-41

**CROSS REFERENCE**

Link, Upper, 3-23  
Lip, Tray, Debris, 2-27

**M**

Magnet, Latch, Brush Door, 2-9  
Manifold Kit, Sys, Water, Battery, Di, 3-48  
Manifold, Soltn, Sba, 3-27  
Manifold, Sys, Water, Battery, 3-48  
Manual, Oprtr [T12 Ele, Cn], 3-52  
Manual, Oprtr [T12 Ele, En, Na], 3-52  
Manual, Oprtr [T12 Ele, Es, Na], 3-52  
Manual, Oprtr [T12 Ele, Fr, Na], 3-52  
Manual, Oprtr [T12 Ele, Jp], 3-52  
Manual, Oprtr [T12 Ele, Ptb], 3-52  
Manual, Parts [T12 Ele, En, Na/Int]  
(S/N 1000000-1999999), 3-52  
Manual, Parts [T12 Ele, EN]  
(S/N 3000000-3999999), 3-52  
Manual, Service Info [T12 Ele, En], 3-52  
Molding, Afmkt, Trim, Pvc, .08 .11, 01Ft,  
2-23  
Molding, Afmkt, Trim, Pvc, .08 .11, 02ft,  
3-45, 3-47  
Motor Assy, Ac, Drive, Complt, 4-5  
Motor, Ele, 36vdc 0315rpm, 2-25  
Motor, Ele, 36vdc 0320rpm 0.63hp Gear,  
3-21  
Motor, ele, 36Vdc 1750rpm 1.00hp 22.0a,  
4-6  
Motor, Ele, 36vdc 1750rpm 1.00hp 22.0a  
(See Breakdown), 2-29  
Muffler, Vacfan, 11.0 L, 2-37

**N**

Nameplate, Tennant, Domed 7.0in, 2-59  
Nozzle, Spray, Gun, 3-33  
Nut, Compression, 2.25-12, Abs, 3-35  
Nut, Hex, Flexlock, .31-18, 2-49, 3-39  
Nut, Hex, Flng, M5 X 0.80, 3-27  
Nut, Hex, Flng, M8 X 1.25, 2-19  
Nut, Hex, Jam, .25-20, 2-9, 2-11, 2-15  
Nut, Hex, Jam, 1.12-12, 2-19  
Nut, Hex, Jam, M10 X 1.5, [Din439], 3-23  
Nut, Hex, Jam, M4 X 0.70, Ss, 3-29  
Nut, Hex, Lock, .31-18, Ni, Ss, 2-13, 2-15  
Nut, Hex, Lock, #06-32, Ni, 2-47  
Nut, Hex, Lock, M10 X 1.5, Ni, 3-13  
Nut, Hex, Lock, M10 X 1.5, Ni, Ss, 2-39,  
2-41, 3-9, 3-23  
Nut, Hex, Lock, M12 X 1.75, Ni, 2-17  
Nut, Hex, Lock, M4 X 0.70, Ni, Ss, 3-33,  
4-3  
Nut, Hex, Lock, M5 X 0.80, Ni, 3-5, 3-7,  
3-37  
Nut, Hex, Lock, M5 X 0.80, Ni, Ss, 2-15,  
2-47, 3-9, 3-45, 3-47, 3-50  
Nut, Hex, Lock, M6 X 1.00, Ni, 2-11, 2-25,  
2-31, 2-33, 3-33  
Nut, Hex, Lock, M6 X 1.00, Ni, Ss, 2-11,  
2-15, 3-21, 3-33, 3-37

Nut, Hex, Lock, M8 X 1.25, Ni, 2-17, 2-19,  
3-33  
Nut, Hex, Lock, M8 X 1.25, Ni, Ss, 2-9,  
2-23, 2-41, 2-43, 3-21, 3-23, 3-37  
Nut, Hex, Std, .25-20, 2-47  
Nut, Hex, Std, M3 X 0, 2-47  
Nut, Hex, Std, M5 X 0.80, Brs, 2-45  
Nut, Hex, Std, M6 X 1.00, Brs, 2-45  
Nut, Hex, Std, M8 X 1, 2-27, 2-43  
Nut, T, M10 X 1.50 X 0.62od X 0.5l, 2-43  
Nut, T, M8 X 1.25, 2-31, 2-33

**O**

Off Whites/G  
Acrylic12.8oz[Acm101-00171], 1-1  
Ohg Kit W/O Bumper, Ci [T12], 3-13

**P**

Pad, Buff, 13.0d, Red [1pick=1pad], 2-5  
Pad, Buff, 16.0d, Red [1pick=1pad], 2-3  
Pad, Polish, 13.0d, White [1pick=1pad],  
2-5  
Pad, Polish, 16.0d, White [1pick=1pad],  
2-3  
Pad, Scrubbing, 13.0d, Blue, 2-5  
Pad, Scrubbing, 16.0d, Blu [1pick=1pad],  
2-3  
Pad, Stop, Rbr (Replced by 9013613),  
2-23  
Pad, Stripping, 13.0d, Brown[1pick=1pad],  
2-5  
Pad, Stripping, 16.0d, Brown[1pick=1pad],  
2-3  
Pad, Stripping, 16.0d[Hi Prod, Black,  
1pick=1pad, 2-3  
Pad, Surf Prep, 13.0d [Mar, 1pick=1pad],  
2-5  
Pad, Surf Prep, 16.0d [Maroon,  
1pick=1pad], 2-3  
Paint, Airdry, Blk, 12oz, 1-1  
Paint, Airdry, Gray, 12oz [Enamel], 1-1  
Panel Assy, Steering Poc, Ci [T12], 2-19  
Panel kit, Cntrl, Replmt [T12], 2-17  
Panel, Access, Front, Afmkt [Jp], 2-21  
Panel, Access, Front, Afmkt [T12], 2-21  
Panel, Console, Lh, 2-17, 2-19  
Panel, Console, Rh, 2-19  
Panel, Door, Lh, 2-9  
Panel, Door, Rh, 2-9  
Panel, Pod, W/Instr Afmkt [T12], 2-19  
Part Kit, Station, Oprtr, Plstc [2Pc=1Kit],  
2-11  
Pawl, Ratchet, 3-33  
Pedal Assy, Accelerator, Brake, 4-7  
Pedal Assy, Accelerator, Brake (See  
Breakdowns), 2-21  
Pedal, Brake, W/ Tread, 4-7  
Pedal, Propel, W/ Tread, 4-7  
Pin, 0.63d, 02.0l [W/Cbore, M8 Screw],  
2-43

Pin, Axle, Brg, 3-35  
Pin, Clevis, 0.37d X 1.00l, 2-31, 2-33  
Pin, Clevis, 0.37d X 2.00l, 2-23, 3-23  
Pin, Clevis, 0.37d X 3.25l, 2-9  
Pin, Clevis, 0.37d X 5.00l, 2-25, 2-27  
Pin, Clevis, 0.37d X 5.25l, 2-41  
Pin, Clevis, 0.38d X 1.13l, 3-23  
Pin, Clevis, 0.38d X 2.50l, 2-23  
Pin, Clevis, 0.50d X 2.25l, 2-41  
Pin, Clevis, 10mmd X, 2-41  
Pin, Cotter, .156 X 1.25, 2-25, 2-27  
Pin, Cotter, Hair, 0.31d .058 Wir, 2-15  
Pin, Cotter, Hair, 0.38d .093 Wir, 2-9, 2-23,  
2-31, 2-33, 2-41, 3-23  
Pin, Grvd, 0.75d 01.90l, 1/0.59 [Btwn],  
3-29  
Pin, Hitch, .375d X 3.12l, Pl, 3-9  
Pin, Pivot, Sba, 3-23  
Pin, Roll, .094d X 0.25l, .094/.097, 2-29  
Pivot Arm Kit, Sba, Afmkt [T12], 3-23  
Pivot Wldt, 2-23  
Pivot, Lift, 2-23  
Plate Wldt, Brg, 2-19  
Plate Wldt, Deck, Sba, 3-21  
Plate Wldt, Mtg, Electronic Component,  
2-45  
Plate Wldt, Mtg, Extinguisher, 3-50  
Plate Wldt, Mtg, Hose-Reel [Cassoday],  
3-33  
Plate Wldt, Mtg, W/Label, Afmkt, JP, 2-11  
Plate Wldt, Mtg, W/Label, Afmkt, Na, 2-11  
Plate Wldt, Sppt, Brg, 2-19  
Plate, Arm, Prop, 2-35  
Plate, Backing, Roller, 2-9  
Plate, Backing, Switch, 2-47  
Plate, Electrical, 2-47  
Plate, Latch, 2-9  
Plate, Lintel Backing, 2-17  
Plate, Mtg, Gasket, 2-35  
Plate, Mtg, Heat Duct, 3-45, 3-47  
Plate, Mtg, Hose Reel, 3-33  
Plate, Side, Scrubhead, Lh, 2-29  
Plate, Side, Scrubhead, Rh, 2-29  
Plate, Sppt, 3-21  
Plug Assy, Idler, Brush, 2-29  
Plug, Adapter, Port, 3-35  
Plug, Drive, Brush, Mach, 2-29  
Plug, Hole, Rnd, 0.25H 0.43L, Brb, Nyl,  
2-35  
Plug, Hole, Rnd, 1.25h .18, Blk Stl, 3-11  
Plug, Hole, Rt, Rocker Switch, .87 X 1.7,  
2-17, 2-19  
Plug, Idler, Brush [Sgl Brg], 2-29  
Pulley, Tension, 4-4  
Pump Kit, Fill, Battery, 3-49  
Pump Kit, Fill, Battery, 36vdc, Ci[Trojan],  
3-49  
Pump, Soltn, 36vdc, 3-27  
Pump, Soltn, Ele, 36vdc, 45psi, 3-33  
Pump, Soltn, Ele, 36vdc, 60psi, 3-15



**CROSS REFERENCE****R**

Recovery Tank, Afmkt [T12], 2-35  
 Recovery Tank, Afmkt, Jp [T12], 2-35  
 Reel Assy, Hose, Small, 3-33  
 Relay, 36Vdc, 005A, Spdt No [Greenwich], 3-5  
 Retainer Wildt, Sqge, Sba, 3-21  
 Retainer Wildt, Sqge, Sba, With Latch, 3-21  
 Retainer, Blade, Sqge, 14.2l (Set of 2), 3-35  
 Ring, Compression, 3-35  
 Ring, Mtg, Sqge, .38l, 2-43  
 Ring, Retaining F/1055257, 4-5  
 Ring, Retaining, Ext, 0.59d, Basic, 2-29  
 Ring, Retaining, Ext, 0.75d, Hd, 2-17  
 Ring, Retaining, Ext, 1.00d, Basic, 3-33  
 Ring, Retaining, Ext, 1.12d, 2-19  
 Ring, Retaining, Ext, 1.375od, 2-7  
 Rivet, Blind, .125d X 0.44 X .25d, Alm, 3-35  
 Rivet, Blind, .188d X 0.45 X .62d, Alm, 2-27  
 Rivet, Blind, .188d X 0.53 X .62d, Alm, 3-35  
 Rod-End, M10 X 1.5rh Fem M10 X 1.5stud, 3-23  
 Rod, Sppt, 2-7  
 Rod, Thrd, 2end, M8x1.25/ M10x1.5 04.7l, 2-43  
 Rod, Thrd, Full, .25-20 01.5l, 2-47

**S**

Screen, Vacuum, 2-35  
 Screw Kit, 4-5  
 Screw, Flt, M6 X 1.0 X 20, Ss, 2-31, 2-33  
 Screw, Flt, Soc, M10 X 1.50 X 20, 10.9, Ni, 2-29  
 Screw, Flt, Soc, M8 X 1.25 X 20, 18-8, Ss, 2-31, 2-33  
 Screw, Hex, .25-20 X 0.50, G5, 3-5  
 Screw, Hex, .25-20 X 0.50, Ni, 2-47  
 Screw, Hex, .31-18 X 1.38, Ss, Ni, 2-13, 2-15  
 Screw, Hex, .38-16 X 1.00, Ss, 3-9  
 Screw, Hex, M10 X 1.5, 2-19  
 Screw, Hex, M10 X 1.50 X 25, Ss, 2-7, 2-9, 3-9, 3-25  
 Screw, Hex, M10 X 1.50 X 30, 8.8, 3-13  
 Screw, Hex, M10 X 1.50 X 30, Ss, 2-7, 2-39, 3-9, 3-25  
 Screw, Hex, M10 X 1.50 X 80, 8.8, 3-9  
 Screw, Hex, M10x 1.50 x 25, 8.8, 2-21  
 Screw, Hex, M12 X 1.75 X 30, Ss, 3-11, 3-23, 3-25  
 Screw, hex, m4 X 0.70 X 10, Fmg, 2-37  
 Screw, Hex, M4 X 0.70 X 50, Ss, 4-3  
 Screw, Hex, M5 X 0.80 X 10, Fmg, 2-25, 2-27, 3-15  
 Screw, Hex, M5 X 0.80 X 12, Ss, 2-47, 3-15, 3-17, 3-27, 3-45, 3-47, 3-50

Screw, Hex, M5 X 0.80 X 16, Ss, 2-15, 2-45, 3-37  
 Screw, Hex, M5 X 0.80 X 20, 8.8, 3-9  
 Screw, Hex, M6 X 1.00 X 10, 8.8, 2-9  
 Screw, Hex, M6 X 1.00 X 12, Fmg, 3-7  
 Screw, Hex, M6 X 1.00 X 12, Ss, 3-29, 3-33  
 Screw, Hex, M6 X 1.00 X 16, Sems, Ss, 2-19  
 Screw, Hex, M6 X 1.00 X 16, Ss, 2-37  
 Screw, Hex, M6 X 1.00 X 16, Ss, Sems, 2-7, 2-15, 2-29, 2-45, 3-15  
 Screw, Hex, M6 X 1.00 X 20, 8.8, 3-33  
 Screw, Hex, M6 X 1.00 X 20, Ss, 2-11, 2-27, 2-29, 2-37, 3-33, 3-50  
 Screw, Hex, M6 X 1.00 X 25, Ss, 2-25, 3-33  
 Screw, Hex, M8 X 1.25 X 120, 8.8, Fl, 3-23  
 Screw, Hex, M8 X 1.25 X 140, Ss, 2-23  
 Screw, Hex, M8 X 1.25 X 16, 8.8, 2-19  
 Screw, Hex, M8 X 1.25 X 16, Ss, 2-21, 3-21  
 Screw, Hex, M8 X 1.25 X 20, 8.8, 2-17, 2-19  
 Screw, Hex, M8 X 1.25 X 20, Ss, 3-21  
 Screw, Hex, M8 X 1.25 X 20, Ss, Sems, 2-7, 2-9, 2-11, 2-15, 2-21, 2-29, 2-35, 2-39, 2-45, 2-47, 3-5, 3-13, 3-15, 3-25, 3-27, 3-33, 3-37  
 Screw, Hex, M8 X 1.25 X 25, 8.8, 2-17, 2-19  
 Screw, Hex, M8 X 1.25 X 25, Ss, 2-25, 2-41, 3-23, 3-25  
 Screw, Hex, M8 X 1.25 X 25, Ss, Ni, 2-35  
 Screw, Hex, M8 X 1.25 X 30, Ss, 2-7, 2-23, 2-25, 2-41, 3-11, 3-21, 3-45, 3-47  
 Screw, Hex, M8 X 1.25 X 35, Ni, Ss, 2-35  
 Screw, Hex, M8 X 1.25 X 40, 8.8, Fl, 3-13  
 Screw, Hex, M8 X 1.25 X 40, Ss, 2-11, 2-23, 3-23  
 Screw, Hex, M8 X 1.25 X 45, Ss, 3-21  
 Screw, Hex, M8 X 1.25 X 50, Ss, 2-43  
 Screw, Pan, 06- X 0.38, F/ Plstc, 3-35  
 Screw, Pan, 12-16 X 0.50, F/ Plstc, 3-51  
 Screw, Pan, Phl, 06 X 0.50, Fmg/Ab, Blk, 2-17, 2-19, 2-35, 3-3, 3-51  
 Screw, Pan, Phl, 06-20 X 0.50, Fmg/Ab, 3-5  
 Screw, Pan, Phl, 06-32 x 0.38, Shmtl, Ss, 2-45  
 Screw, Pan, Phl, 06-32 X 1.00, G1, 2-47  
 Screw, Pan, Phl, 08-16 X 0.25, F/Plstc, 2-9  
 Screw, Pan, Phl, 10-14 X 0.75, F/Plstc, 2-5  
 Screw, Pan, Phl, M3 X 0.50 X 10, 4.8, 3-3  
 Screw, Pan, Phl, M3 X 0.50 X 20, 4.8, 2-47  
 Screw, Pan, Phl, M4 X 0.70 X 10, Ss, 2-35  
 Screw, Pan, Phl, M4 X 0.70 X 16, Ss, 2-21, 2-45, 3-29  
 Screw, Pan, Phl, M4 X 0.70 X 20, Ss, 3-33, 3-37  
 Screw, Pan, Phl, M4 X 0.70 X 25, 4.8, 2-45

Screw, Pan, Phl, M4 X 0.70 X 35, Ss, 2-3  
 Screw, Pan, Phl, M5 X 0.80 X 16, 4.8, 3-5, 3-7, 3-45, 3-47  
 Screw, Pan, Phl, M5 X 0.80 X 16, Tcut, Ss, 4-3  
 Screw, Pan, Phl, M5 X 0.80 X 20, 4.8, 2-45  
 Screw, Pan, Phl, M6 X 1.00 X 25, 4.8, 2-11  
 Screw, Pan, Phl, M6 X 1.00 X 35, 4.8, 2-47  
 Screw, Pan, Phl, M6 X 1.00 X 35, Ss, 2-3, 2-5  
 Screw, Pan, Phl, M8 X 1.25 X 20, 4.8, 2-35  
 Screw, Set, M6 X 1.00 X 8, Ni, 2-19  
 Screw, Set, Soc, 08-32 X 0.25, Ni, 2-29  
 Screw, Soc, M10X1.50X35, 12.9, 2-7  
 Screw, Soc, M8 X 1.25 X 25, 12.9, 3-23  
 Seal, Afmkt, Bulb, Dual, 08ft [F/30gap], 2-35  
 Seal, Foam, 0.50 0.75w 8.0l, Pvc, Adh, 3-45, 3-47  
 Seal, Ring, 4-5  
 Seat Kit, Deluxe, Ci [T12], 2-15  
 Seat, Dlx, W/ Armrests & Seatbelt, 2-15  
 Seat, Std [Milsco], 2-13  
 Sensor, Level, Liq, 14vdc 01a .62-11, 2-35  
 Sensor, Level, Liq, 30watt, Spst, 2-39  
 Sensor, Position [Hall], 4-7  
 Shaft Assy, Steering [T12], 2-19  
 Shaft Assy, Steering, Basic, 2-17  
 Shaft, Drive, 2-29  
 Shaft, Plug, Idler, 2-29  
 Sheave, 07grv, 1.22pd 0.55b [Pj], 2-29  
 Sheave, 07grv, 2.96pd 0.63b [Pj], 2-29  
 Shroud, Front, Afmkt [T12], 2-21  
 Shunt, 050mv 250a, 3-37  
 Side Cover, Std, Afmkt [T12], 2-45  
 Side Panel Assy, Cyl, Lh, Afmkt [T12], 2-29  
 Side Panel Assy, Cyl, Rh, Afmkt [T12], 2-29  
 Silicone Cap, Afmkt [ec-H2O], 3-15  
 Skirt, Rbr, Front, Disc, 2-25  
 Skirt, Rbr, Front, Disc (Disc Scrub Head), 1-1  
 Skirt, Rbr, Rear, Disc, 2-25  
 Sleeve, 0.334b 0.494d 4.00l Stl Pl, 3-23  
 Sleeve, Flange, 2-11  
 Sleeve, Flng, 0.32b 1.00/0.50d 0.6l, Ss, 2-41  
 Sleeve, Nyl, 1.22id 35.0l, 2-7  
 Sleeve, P/M, 0.25b 0.38d 0.1l [430ss], 2-15  
 Sleeve, P/M, 0.25b 0.38d 0.3l, Pl, 2-37  
 Sleeve, P/M, 0.32b 0.44d 0.2l [430ss], 2-35  
 Sleeve, P/M, 0.32b 0.50d 0.3l [430ss], 2-23, 3-23  
 Sleeve, P/M, 0.32b 0.50d 0.5l [430ss], 2-15  
 Sleeve, P/M, 0.32b 0.50d 0.7l [430ss], 3-45, 3-47  
 Sleeve, P/M, 0.34b 0.63d 0.4l, Ss / Oil, 2-35

**CROSS REFERENCE**

Sleeve, P/M, 0.34b 0.63d 0.6l, Bnz, 2-23, 3-21  
 Sleeve, P/M, 0.34b 0.63d 1.2l, Bnz, 2-43  
 Sleeve, P/M, Fing, 0.33b 0.75/0.50d 0.8l, 2-35  
 Solution Tank, Afmkt [T12], 2-39  
 Spacer, Alm, 4-5  
 Spacer, Battery, Foam, 2.00 X 2.0 X 11.0, 2-49  
 Spacer, Blade, 3-21  
 Spacer, Rnd, .38b .88d .38l, 2-13, 2-15  
 Spray Hose Kit, Ci [T12], 3-33  
 Spring Assy, Replmt, Afmkt [T12], 3-23  
 Spring, Cmpr, .73od 2.5l, 2-23  
 Spring, Cmpr, 0.98od .13wir 01.3l, Ss, 2-43  
 Spring, Extn, 0.35od 0.05wir 02.8l, 4-7  
 Spring, Extn, 0.50od 0.07wir 03.0l, 4-7  
 Spring, Extn, 0.75od 0.10wir 03.0l, 2-31, 2-33  
 Spring, Extn, 1.26od 0.162wir 03.3l, 2-41  
 Spring, Retaining, Brush, 2-5  
 Spring, Tors, 0.55id .05wir 04.0coil, 4-7  
 Spring, Torsion, Hose Reel, 3-33  
 Spring, Wir, 0.16d, Brush Retaining, 2-3, 2-5  
 Sprocket Kit, 0.75b, Afmkt [T12], 2-19  
 Sprocket Kit, 1.12b, Afmkt [T12], 2-19  
 Squeegee Kit, Rear, Ci [T12], 2-43  
 Squeegee Wldt, Holder, Sba, 3-21  
 Squeegee, Hand, 3-35  
 Stabilizer Wldt [Cassoday], 2-7  
 Stand-Off, Wir, 0.25, Insulator, Panel, 2-47  
 Steer-Control Assy, Wheel Drive, 4-4  
 Steer-Control Assy, Wheel Drive (See Breakdown), 2-7  
 Strap Wldt, Sqge, 2-31, 2-33  
 Strap, Retainer, Handle, 3-35  
 Strap, Static, W/Grommet, .19 1.1w 25.0l, 2-7  
 Strip, Retainer, Front, 2-25  
 Strip, Skirt, Rear, Disc, 2-25  
 Strip, Skirt, Rear, Disc (Disc Scrub Head), 1-1  
 Stud, Ball, .39d .31-18, 2-15  
 Support Wldt, Guard, Lh, 3-9  
 Support Wldt, Guard, Rh, 3-9  
 Support, Circuitboard, 2-45, 3-29  
 Support, Circuitboard [0.5"], 2-45  
 Switch, Ignition [Merit Gmbh], 2-17, 2-19  
 Switch, Press, 20psi, Pm02, 3-15  
 Switch, Rocker, Dpdt, On / None / On, 2-17, 2-19, 3-33  
 Switch, Rocker, Dpst, On / None / On, 3-29  
 Switch, Rocker, Prgrsv, 3-3, 3-5, 3-7  
 Switch, Rocker, Spst, Mom, 4-3  
 Switch, Safety, Shutoff, 2-17, 2-19  
 Switch, Seat, No [Delta 6440-04], 2-13, 2-15  
 Switch, Snap, 15a, Rlr, 2-47

**T**

Teal Blue S/G  
 Enamel 12.8oz [lcm101-70266], 1-1  
 Tie, Cable, 6.0l, 1.25d Max, 3-45, 3-47  
 Tie, Cable, Nyl, 07.3l .19w 1.8 Max D, 3-5  
 Tie, Cable, Nyl, 11.0l, .14w, 3.0 Max. D, 2-7, 2-21, 2-37, 2-45, 2-49, 3-7, 3-27, 3-39, 3-49, 4-3  
 Tie, Cable, Nyl, 11.4l .19w 3.0 Max D, 3-5  
 Tire Assy, Solid, 300mm X 100mm, Ure, 2-7  
 Tire Kit, Puller, 4-5  
 Tool, Belt, Cyl Head, Afmkt [T12] (Cylindrical Scrub Head), 1-1  
 Tool, Installation, Belt, 1-1, 2-29  
 Track, Slide, Seat Adj, 12.5l, 2-13, 2-15  
 Track, Slide, Seat Adj, 12.5l, W/Latch, 2-13, 2-15  
 Tray Wldt, Battery, 2-49  
 Tray, Debris, 2-35  
 Tube Wldt, Bmpr, 3-11  
 Tube Wldt, Guard, Lh, 3-13  
 Tube Wldt, Guard, Rh, 3-13  
 Tube, 0.59id 0.81od 00.5l, 2-29  
 Tube, Bumper, 2-23  
 Tube, Column, Steering, 2-19  
 Tube, Distribution, Disc, 2-25  
 Tube, Distribution, T12, 2-27  
 Tube, Guard, Pntd, 3-9  
 Tube, Water, Battery, 36vdc [Trojan], 3-49  
 Turnbuckle Replmt, Afmkt [T12], 2-41

**V**

Valve, Check, 0005psi Bm06/Bm06, 3-15  
 Valve, Reg, Water, 3-48  
 Valve, Water, Solenoid, 36vdc 6.0mm Pf04, 3-17  
 Valve, Water, Solenoid, 36vdc Bm12/Bm12, 2-25, 2-27, 3-27

**W**

Wand Kit, Wet, Ci [T12], 3-35  
 Washer, Flat, .19b .50d .06, Alm, Blind, 3-35  
 Washer, Flat, .21b .39d .04, Brs, 2-45  
 Washer, Flat, 0.12b 0.38d .03, Pl, 3-35  
 Washer, Flat, 0.16b 0.38d .05, Pl, 06, 3-37  
 Washer, Flat, 0.17b 0.31d .03, Nyl, 2-45  
 Washer, Flat, 0.19b 0.38d .03, Nyl, 3-29  
 Washer, Flat, 0.21b 0.45d .03, Ss, 2-15, 2-45, 2-47, 3-15, 3-17, 3-45, 3-47, 3-50  
 Washer, Flat, 0.25, Fendr, 2-11  
 Washer, Flat, 0.25, Sae, 3-5  
 Washer, Flat, 0.25, Std, 2-19, 2-47, 3-7  
 Washer, Flat, 0.25b 0.47d .06, Brs, 2-45  
 Washer, Flat, 0.25b 0.56d .05, Pl, 10, 2-11, 3-5, 3-7

Washer, Flat, 0.27B 0.69D .05, Ss, 2-3, 2-5, 2-9, 2-15, 2-25, 2-27, 2-29, 2-37, 2-47, 3-15, 3-29, 3-33, 3-37  
 Washer, Flat, 0.28b 1.00d .06, Stil, 2-15, 2-37  
 Washer, Flat, 0.31, Std, 2-17, 2-19, 2-21  
 Washer, Flat, 0.32b 1.00d .12, Ss, 2-35, 2-41, 2-43, 3-21, 3-23  
 Washer, Flat, 0.34b 1.50d .12, Stil, Pl, 2-23  
 Washer, Flat, 0.38, Sae, 2-19  
 Washer, Flat, 0.38, Std, 2-21, 3-9, 3-13  
 Washer, Flat, 0.38b 0.88d .08, Ss, 2-7, 2-9, 2-13, 2-15, 2-23, 2-25, 2-27, 3-9, 3-11, 3-21, 3-23, 3-25, 3-37  
 Washer, Flat, 0.38b 2.25d .07, Stil, Pnt, 3-45, 3-47  
 Washer, Flat, 0.39b 1.38d .19, Stil, Pl, 3-13  
 Washer, Flat, 0.44b 0.88d .06, Nyl, 2-41  
 Washer, Flat, 0.44b 1.00d .08, Ss, 2-7, 2-9, 2-39, 2-41, 3-9, 3-23, 3-25  
 Washer, Flat, 0.48b 2.50d .12, Ss, 3-23  
 Washer, Flat, 0.50, Std, 2-17, 2-41  
 Washer, Flat, 0.50d, Pl [Spring-Disc], 2-41  
 Washer, Flat, 0.51b 1.25d .06, Ss, 3-11, 3-25  
 Washer, Flat, 0.91b 1.38d .06, Stil, Pl, 2-17, 2-19  
 Washer, Flat, 08, Ss, 2-3, 4-3  
 Washer, Flat, 1.02b 1.75d .12, Stil, 3-33  
 Washer, Flat, 10, Ss, 2-21, 3-9, 3-33, 3-37  
 Washer, Flat, Belleville, .31, 2-25, 2-29, 3-21  
 Washer, Flat, M10, Ss, 2-7  
 Washer, Lock, Int-Ext, 0.25, 2-45  
 Washer, Lock, Int-Ext, 0.31, 2-7, 2-23  
 Washer, Lock, Int, 0.25, 2-47  
 Washer, Lock, Int, 0.25, Ss, 2-45  
 Washer, Lock, Int, 08, 3-29  
 Washer, Lock, Int, 10, Ss, 2-45  
 Washer, Retainer, Spring, 3-33  
 Washer, Thrust, 0.61b 1.25d .06, Fgl, 2-31, 2-33  
 Washer, Thrust, 0.79b 1.42d 0.06 [Garkok], 2-19  
 Washer, Thrust, 1.81b 2.93d .06w, Plstc, 2-41  
 Washer, Thrust, 50.0b 110.0d 0.79w, 3-33  
 Washer, Thrust, Plstc 1.02b 1.38d, 3-33  
 Wheel, 03.0d 0.88w 0.31b, W/ Bshg, Rbr, 3-21  
 Wheel, 04.0d 0.89w 0.64b, 1-1, 2-43  
 Wheel, 04.0d 2.56w 0.41b, 1-1, 2-9  
 Wheel, Drive, Ac, 4-5  
 Wheel, Drive, Ac (See Breakdown), 2-7  
 Wheel, Pyu [250X90 Blue] (Option), 4-5  
 Wheel, Pyu [250X90 Red], 4-5  
 Wheel, Steering, 14.0d, Taper Bore, 2-17  
 Wheel, Steering, 14.4d, 2-19