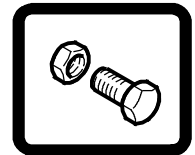




# T1 Li

Floor Scrubber

## Parts Manual



Model Number: 9008231

***Insta-Adjust™ Handle***

***Hygenic™ Cleanable Tanks***

***Duramer™ Tank Construction***



For the latest Parts manuals and other language Operator manuals, visit:

[www.tennantco.com/manuals](http://www.tennantco.com/manuals)

[www.tennantco.com](http://www.tennantco.com)

**9008306**  
**Rev. 02 (06-2014)**



Ref	Part No.	Serial Number	Description	Qty.
1	82681	(000000- )	Bracket Wldt, Lpg Mount	1
2	63810	(000000- )	Latch Assy, Lpg Tank Mtg, W/Nut	4
3	51839	(000000- )	Nut Adjustable, Lpg Tank Mtg	2
4	49263	(000000- )	Tie, Cable	3
	82556	(000000- 001039)	Bracket, Vaporizer	1
	54930	(000000- )	Vaporizer	1

**HOW TO ORDER PARTS - See diagram above**

Only use TENNANT Company supplied or equivalent parts. Parts and supplies may be ordered online, by phone, by fax or by mail.

Follow the steps below to ensure prompt delivery.

1. **(A)** Identify the machine model.
2. **(A)** Identify the machine serial number from the data label.
3. **(B)** Ensure the proper serial number is used from the parts list.
4. Identify the part number and quantity.  
Do not order by page or reference numbers.
5. Provide your name, company name, customer ID number, billing and shipping address, phone number and purchase order number.
6. Provide detail shipping instructions.

- (C)** ▽ - identifies an assembly  
 ▲ - identifies parts included in assembly

**Please fill out at time of installation for future reference.**

Model No. - \_\_\_\_\_

Serial No. - \_\_\_\_\_

Machine Options - \_\_\_\_\_

Sales Rep. - \_\_\_\_\_

Sales Rep. phone no. - \_\_\_\_\_

Customer ID Number - \_\_\_\_\_

Installation Date - \_\_\_\_\_

**Tennant Company**

PO Box 1452  
 Minneapolis, MN 55440  
 Phone: (800) 553-8033 or (763) 513-2850

[www.tennantco.com](http://www.tennantco.com)

Specifications and parts are subject to change without notice.

Copyright © 2010, 2012, 2014 TENNANT Company, Printed in U.S.A.

**TABLE OF CONTENTS**

---

GENERAL RECOMMENDED MAINTENANCE ITEMS .....	4
HANDLE GROUP .....	6
HANDLE MOUNT GROUP .....	8
FRAME GROUP .....	10
RECOVERY AND SOLUTION TANKS GROUP .	12
TANK COVER GROUP .....	14
VACUUM FAN GROUP .....	16
SCRUB HEAD GROUP .....	18
SCRUB HEAD LIFT GROUP .....	20
SOLUTION GROUP .....	22
SQUEEGEE GROUP, FRONT AND REAR .....	24
BATTERY AND CHARGER GROUP WITH BMS MODULE ATTACHED .....	26
BATTERY AND CHARGER GROUP WITH SEPARATE BMS MODULE .....	28
ELECTRICAL DIAGRAM WITH BMS MODULE ATTACHED TO BATTERY .....	30
ELECTRICAL DIAGRAM WITH SEPARATE BMS MODULE .....	32
WIRE HARNESS, MAIN (S/N 10575378- ) .....	34
WIRE HARNESS, MAIN (S/N 00000000- 10575377) .....	36
WIRE HARNESS, JUMPER (S/N 10540328- 10575377) .....	38

## GENERAL RECOMMENDED MAINTENANCE ITEMS

---

### GENERAL RECOMMENDED MAINTENANCE ITEMS

Ref.	Tenant Part No.	Serial Number	Description	Qty.
	1014918	(00000000-	) Wheel, 03.0d 0.88w 0.31b, W/ Bshg, Rbr	3
	601443	(00000000-	) Caster, Swivel, 3.0d 1.3w, .50- 13 Stem	2
	9004283	(00000000-	) Belt Kit, W/ Installation Tool	1
	1049447	(00000000-	) Brush, Scrub, 92mm Od X 386mm	1
∇	9007074	(00000000-	) Squeegee Wheel Kit, W/Hdwr	1
▲	1030852	(00000000-	) Roller, Squeegee	8
	1064751	(00000000-	) Blade Assy, Sqge, Ure, Cast, 4.2thk	2
	1049397	(00000000-	) Blade Assy, Sqge, Ure, Millable	2

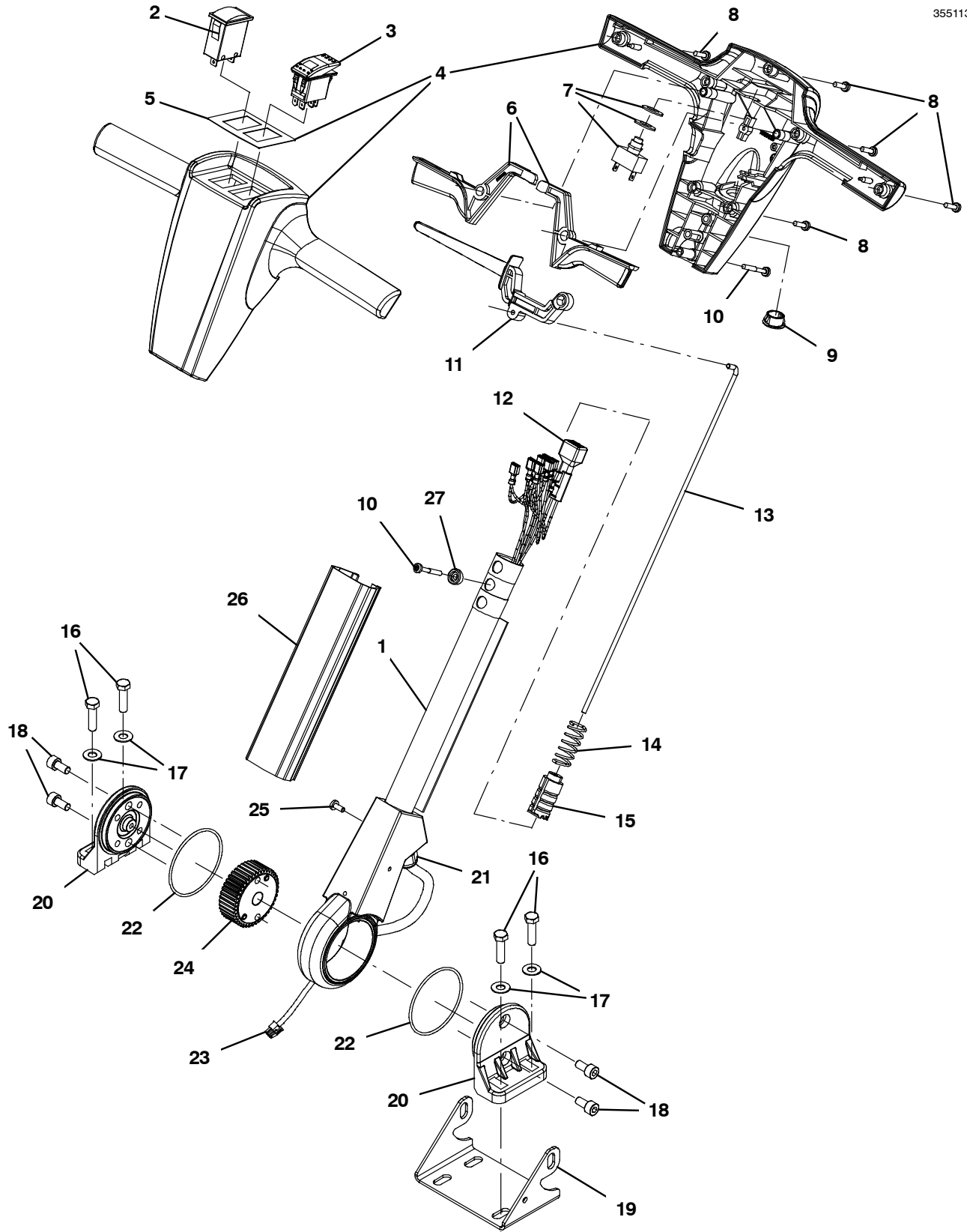
## **GENERAL RECOMMENDED MAINTENANCE ITEMS**

---

# STANDARD PARTS

## HANDLE GROUP

355113



**HANDLE GROUP**

	<b>Tennant</b>				
<b>Ref.</b>	<b>Part No.</b>	<b>Serial Number</b>		<b>Description</b>	<b>Qty.</b>
▽	1	9006621	(00000000-	) Handle Kit, Assy	1
▲	2	1048378	(00000000-	) Gauge, Voltmeter, 12vdc, Nominal	1
▲	3	1053503	(00000000-	) Switch, Rocker [Lighted] 12v Dpdt	1
▲▽	4	9006622	(00000000-	) Cover Kit, Front/Rear	1
▲▲	5	1049028	(00000000-	) Label, Opertnl, Instrmt Panl	1
▲	6	1033893	(00000000-	) Lever, Cntrl, Switch	2
▲	7	9008568	(00000000-	) Switch Kit, W/ Washers, Fr/ F/1063165	1
▲	8	1043573	(00000000-	) Screw, #10- 14 X 0.675, Spl[Shcs,Selftap]	7
▲	9	130175	(00000000-	) Plug, Hole, Rnd, 0.75d, Blk	1
▲	10	1043572	(00000000-	) Screw, #10- 14 X 0.1.5, Spl[Shcs Selftap]	2
▲	11	1034945	(00000000-	) Lever, Adjmt, Handle	1
▲	12	222290	(00000000-	) Diode, Ele, Plug	1
▲	13	1034180	(00000000-	) Rod, Release	1
▲	14	1013295	(00000000-	) Spring, Cmpr [2100 Series]	1
▲	15	9006059	(00000000-	) Plunger Kit, Handle	1
	16	1016399	(00000000-	) Screw, Hex, M8 X 1.25 X 30, Ni, Ss	4
	17	140027	(00000000-	) Washer, Flat, 0.35b 0.75d .04, Ss	4
▲	18	49609	(00000000-	) Screw, Soc, M8 X 1.25 X 16, 12.9	4
▲	19	1048219	(00000000-	) Bracket, Pivot, Cover, Mtg	1
▲	20	1000307	(00000000-	) Handle, Pivot, Half	2
▲	21	1053722	(00000000-	) Cordgrip, Str, Pg- 11	1
▲	22	612422	(00000000-	) Seal, Org, Gear Seat	2
▲	23	1052958	(00000000-	) Connector, Fem, 6 Pin	1
▲	24	1034872	(00000000-	) Gear, Lock, Handle	1
▲	25	1035681	(00000000-	) Screw, Pan, M5 X 0.80 X 12	1
▲	26	1034181	(00000000-	) Cover, Handle, Tennant	1
▲	27	1034176	(00000000-	) Bushing, Flng, 05mmb 12mmd 08mml [Pa6]	1

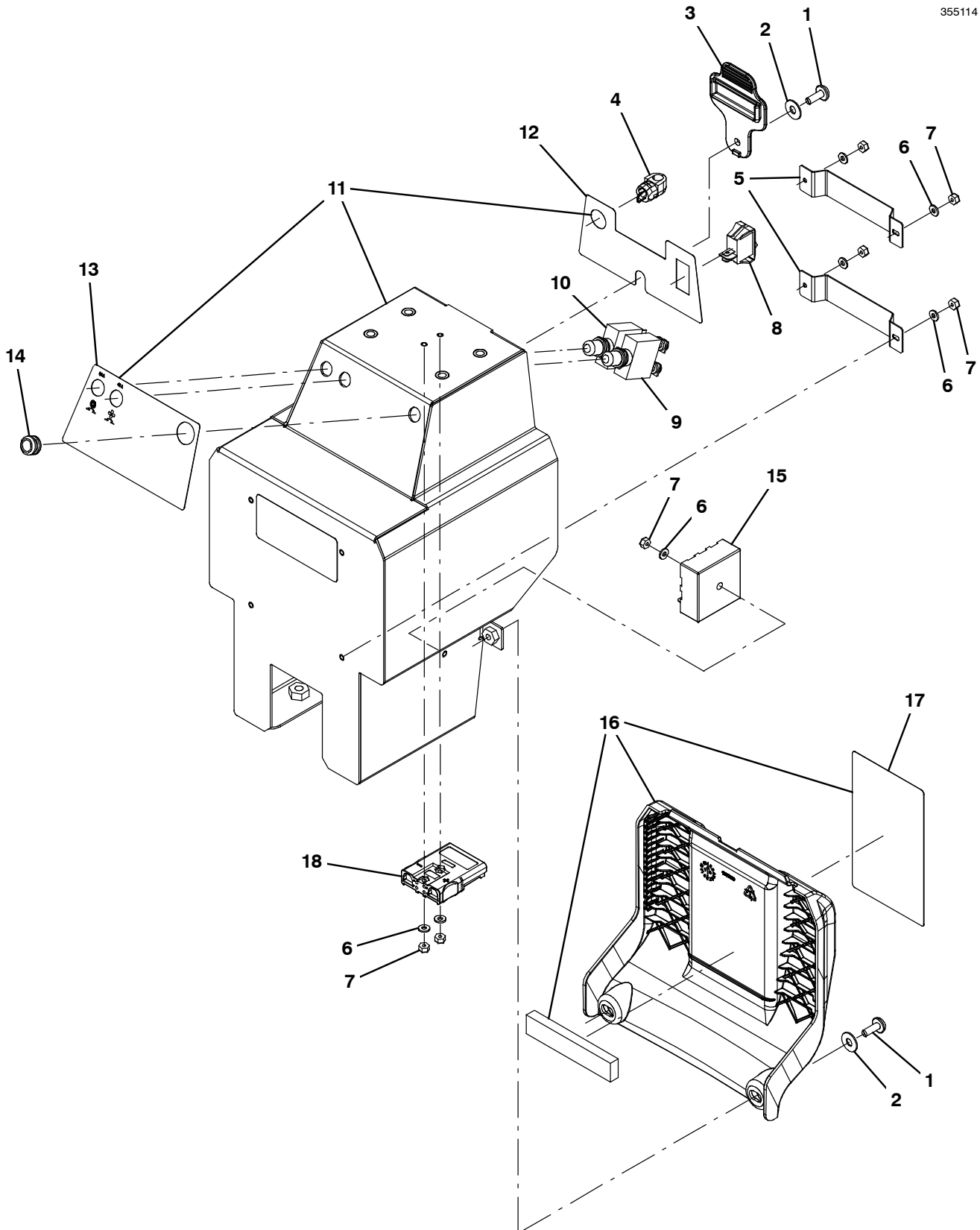
▽ ASSEMBLY

▲ INCLUDED IN ASSEMBLY

# STANDARD PARTS

## HANDLE MOUNT GROUP

355114





**HANDLE MOUNT GROUP**

Ref.	Tenant Part No.	Serial Number	Description	Qty.	
1	1050413	(00000000-	) Screw, Trs, M6 X 1 X 16, Torx T40, Ss	3	
2	01684	(00000000-	) Washer, Flat, 0.27b 0.69d .05, Ss	3	
3	1048989	(00000000-	) Cover, Chrgr Plug	1	
4	1049283	(00000000-	) Strain Relief, Cord, Right Angle	1	
5	1048698	(00000000-	) Channel, Standoff	2	
6	41578	(00000000-	) Washer, Flat, 06, Ss	7	
7	75939	(00000000-	) Nut, Hex, Lock, #06- 32, NI	7	
8	578005000	(00000000-	) Switch, Rocker, Spst	1	
9	1067771	(10575378-	) Circuitbreaker, 35.0a	1	
9	1056085	(00000000- 10575377	) Circuitbreaker, 40.0a, Resetable	1	
10	383725	(10575378-	) Circuitbreaker, 30.0a, Resetable	1	
10	383726	(00000000- 10575377	) Circuitbreaker, 35.0a, Resetable	1	
▽	11	9006623	(00000000-	) Column Kit, Sppt, W/ Label [NA/AU]	1
▲	12	1053739	(00000000-	) Label, Opertnl, Instmt Panl, Lwr	1
▲	13	1066766	(10575378-	) Label, Circuitbreaker [En/Es/Fr]	1
▲	13	1053740	(00000000- 10575377	) Label, Circuitbreaker	1
	14	10632- 12	(00000000-	) Grommet, Rbr, 0.38id, F/0.5h, .12 Matl	1
	15	1053209	(00000000-	) Module, Timer, 12v, 5s Interval	1
▽	16	9006624	(00000000-	) Cover Kit, Battery, W/ Labels	1
▲	17	1049889	(00000000-	) Label, Warning, Dc Scrubber	1
	18	9008812	(00000000-	) Plug, Kit, Chrgr, Strain Relief Psbs 75x	1

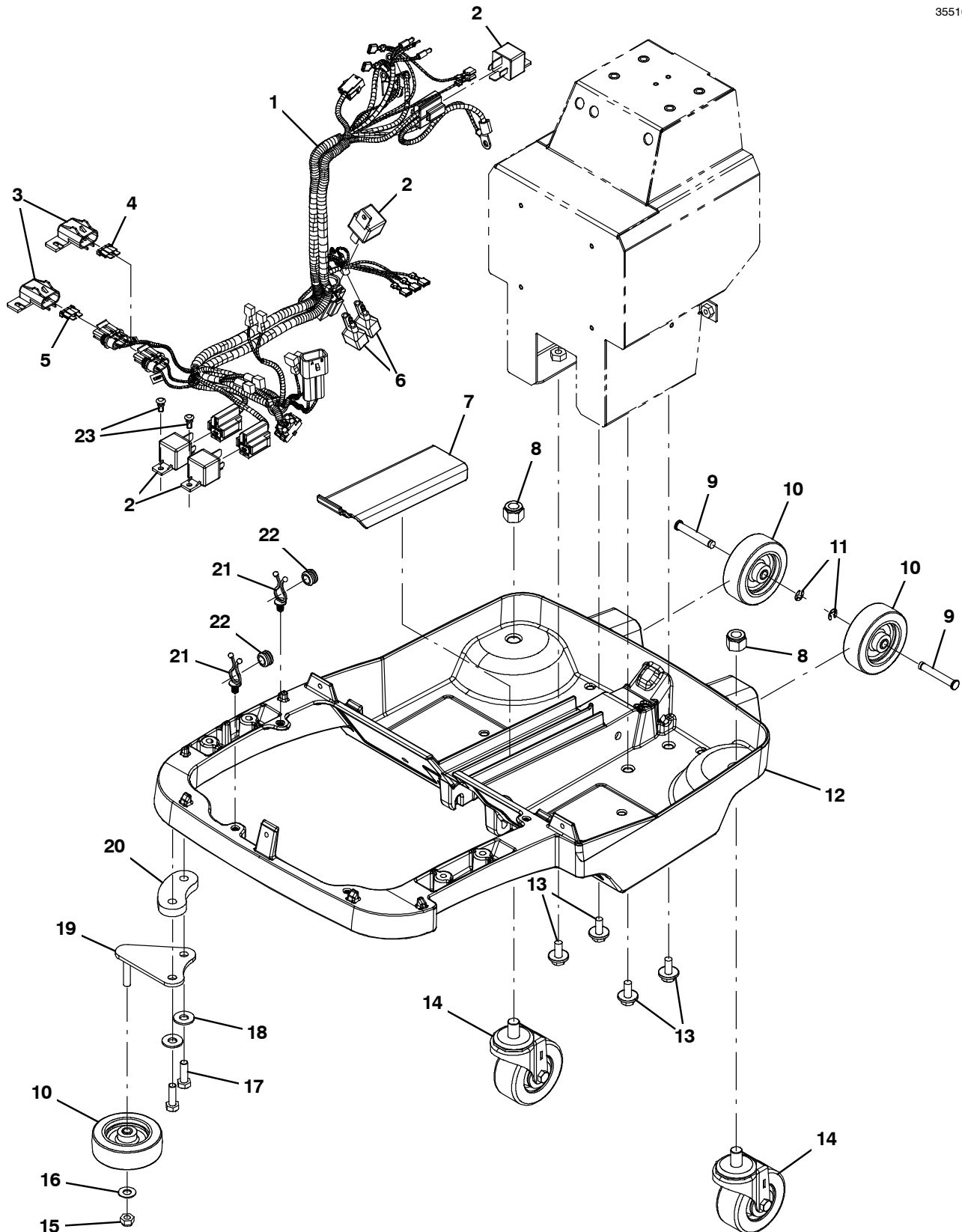
▽ ASSEMBLY

▲ INCLUDED IN ASSEMBLY

# STANDARD PARTS

## FRAME GROUP

355105



**FRAME GROUP**

	<b>Tennant</b>				
<b>Ref.</b>	<b>Part No.</b>	<b>Serial Number</b>		<b>Description</b>	<b>Qty.</b>
∇	1	1061903	(10575378-	) Harness, Chassis, Sng [Na / Emc - Rev2c]	1
∇	1	1061610	(00000000- 10575377	) Harness, Chassis, 12 Volt [Na / Emc]	1
▲	2	1060940	(00000000-	) Contactor, 12vdc, 080a, Spst, No	4
▲	3	1031195	(00000000-	) Cover, Fuse [Mp 630 2f]	2
▲	4	1052127	(00000000-	) Fuse, Blade, 001a, 32vdc	1
▲	5	1016029	(00000000-	) Fuse, Blade, 005a, 32vdc	1
▲	6	222290	(00000000-	) Diode, Ele, Plug	2
	7	1053149	(00000000-	) Cover, Frame, Rear	1
	8	02931	(00000000-	) Nut, Hex, Lock, .50- 13, NI, Ss	2
	9	1035137	(00000000-	) Pin, Clevis, Grvd 0.31d X 2.00l, Ss	2
	10	1014918	(00000000-	) Wheel, 03.0d 0.88w 0.31b, W/ Bshg, Rbr	3
	11	1035139	(00000000-	) Ring, Retaining, Ext, 0.31d, E- Type	2
	12	1034013	(00000000-	) Frame (Machined)	1
	13	1020341	(00000000-	) Screw, Hex, M8 X 1.25 X 20, Ss, Sems	4
	14	601443	(00000000-	) Caster, Swivel, 3.0d 1.3w, .50- 13 Stem	2
	15	08713	(00000000-	) Nut, Hex, Lock, M8 X 1.25, NI, Ss	1
	16	140027	(00000000-	) Washer, Flat, 0.35b 0.75d .04, Ss	1
	17	12333	(00000000-	) Screw, Hex, M8 X 1.25 X 25, Ss, NI	2
	18	140027	(00000000-	) Washer, Flat, 0.35b 0.75d .04, Ss	2
	19	1034805	(00000000-	) Bracket, Bumper Wheel	1
	20	1055599	(00000000-	) Spacer, Wheel, Bumper	1
	21	30406	(00000000-	) Clip, Keeper	2
	22	10632- 12	(00000000-	) Grommet, Rbr, 0.38id, F/0.5h, .12 Matl	2
	23	578852	(00000000-	) Rivet, Plstc, .200d X 0.20, Snap	2

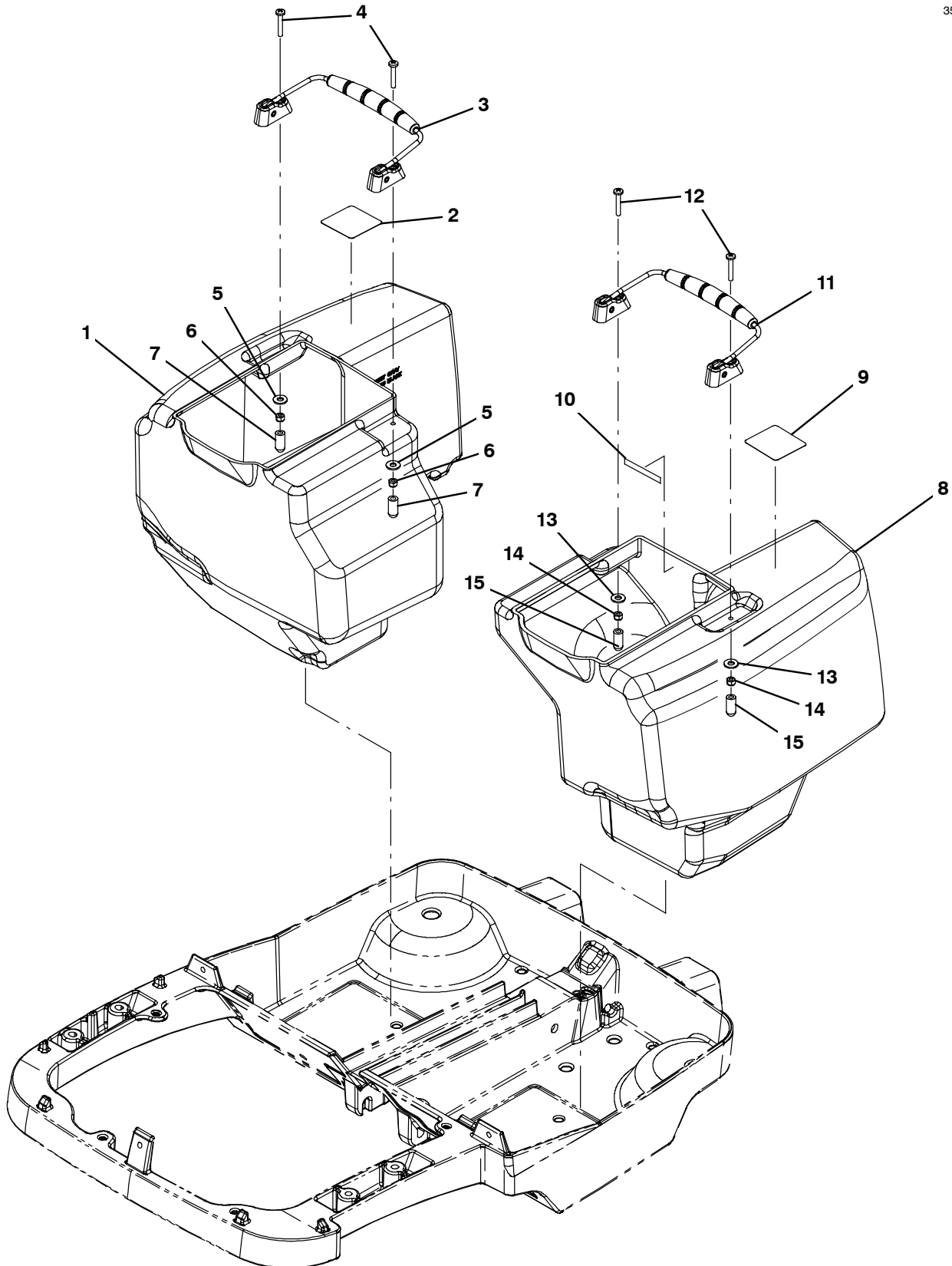
∇ ASSEMBLY

▲ INCLUDED IN ASSEMBLY

# STANDARD PARTS

## RECOVERY AND SOLUTION TANKS GROUP

355108



**RECOVERY AND SOLUTION TANKS GROUP**

	<b>Ref.</b>	<b>Tennant Part No.</b>	<b>Serial Number</b>	<b>Description</b>	<b>Qty.</b>
∇	1	9006625	(00000000-	) Tank Kit, Recvy W/ Labels	1
▲	2	1063995	(00000000-	) Label, Tank, Recvy [Textless]	1
▲∇	3	9006627	(00000000-	) Handle Kit, Tank	1
▲▲	4	33931	(00000000-	) Screw, Pan, Phl, M4 X 0.70 X 30, Ss	2
▲▲	5	01683	(00000000-	) Washer, Flat, 10, Ss	2
▲▲	6	33932	(00000000-	) Nut, Hex, Lock, M4 X 0.70, NI, Ss	2
▲▲	7	1060867	(00000000-	) Cap, Screw, M4 X 12.7	2
∇	8	9006626	(00000000-	) Tank Kit, Soltn W/ Labels	1
▲	9	1063996	(00000000-	) Label, Tank, Soltn [Textless]	1
▲	10	1044865	(00000000-	) Label, Solution, Tank, Max. Fill, 3 Gal.	1
▲∇	11	9006627	(00000000-	) Handle Kit, Tank	1
▲▲	12	33931	(00000000-	) Screw, Pan, Phl, M4 X 0.70 X 30, Ss	2
▲▲	13	01683	(00000000-	) Washer, Flat, 10, Ss	2
▲▲	14	33932	(00000000-	) Nut, Hex, Lock, M4 X 0.70, NI, Ss	2
▲▲	15	1060867	(00000000-	) Cap, Screw, M4 X 12.7	2

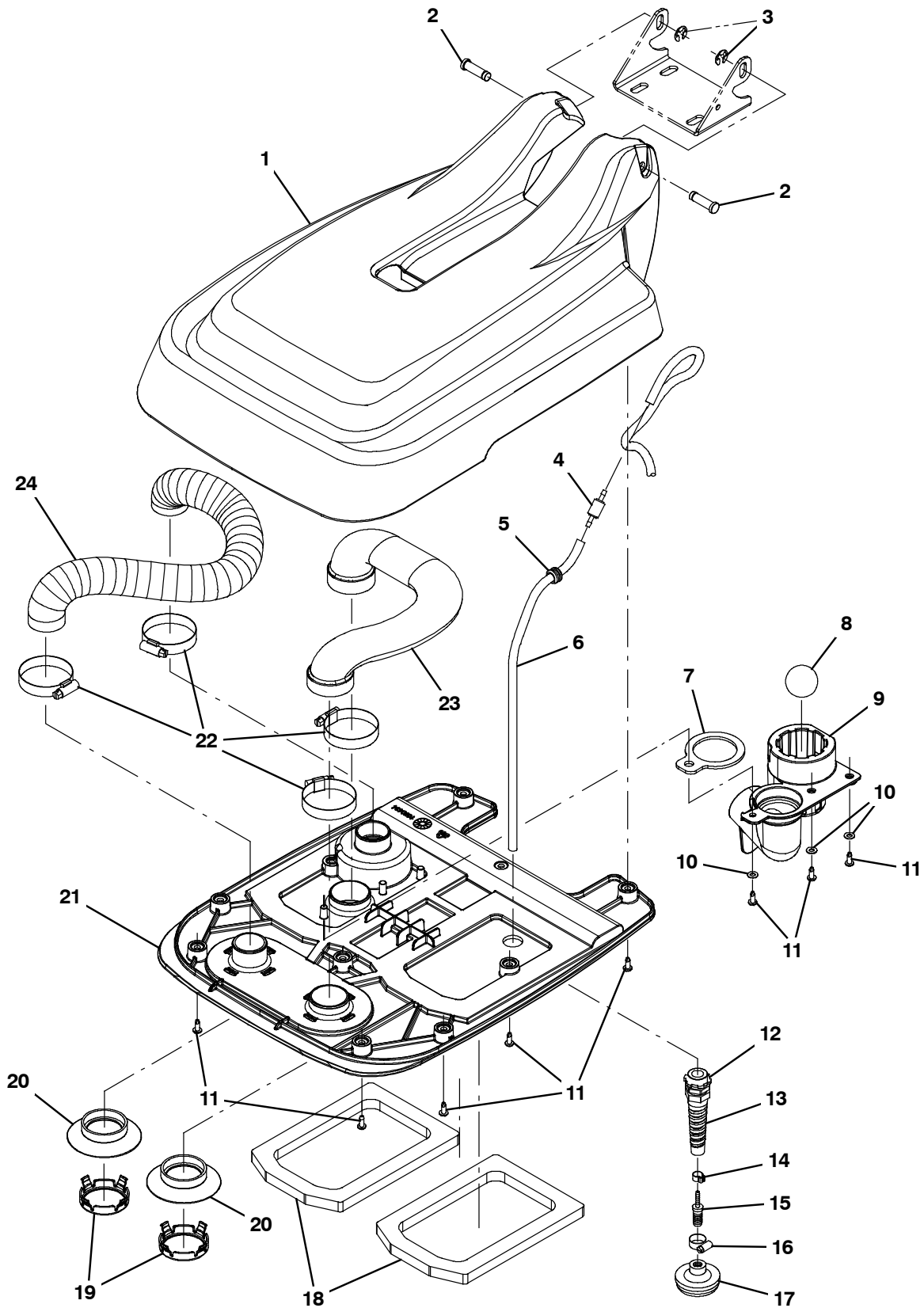
∇ ASSEMBLY

▲ INCLUDED IN ASSEMBLY

# STANDARD PARTS

## TANK COVER GROUP

355109



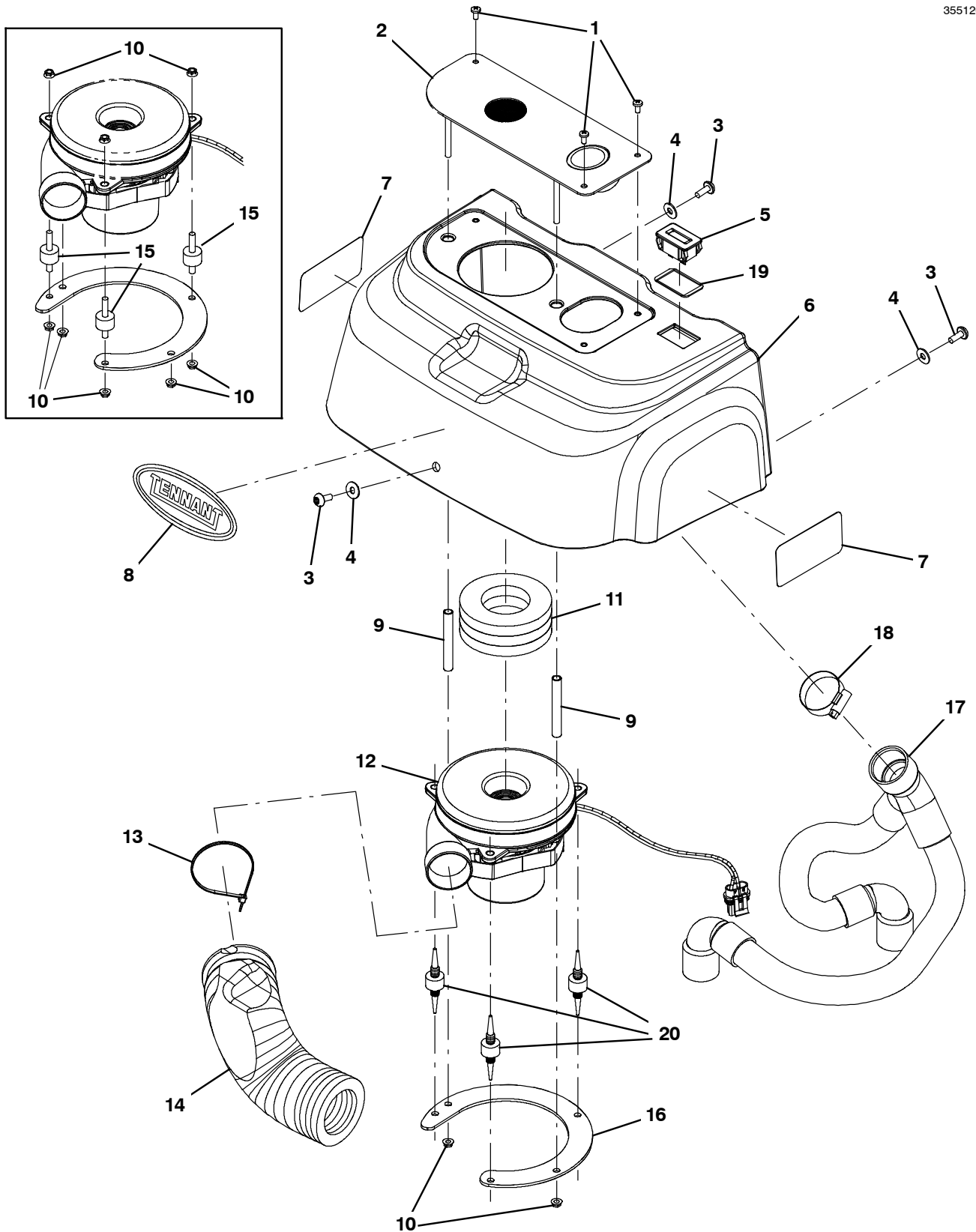
**TANK COVER GROUP**

<b>Ref.</b>	<b>Tennant Part No.</b>	<b>Serial Number</b>	<b>Description</b>	<b>Qty.</b>
1	1031638	(00000000-	) Cover , Tank, Upper, Teal	1
2	1035358	(00000000-	) Pin, Grvd, 0.375d, 1.25l	2
3	24555	(00000000-	) Ring, Retaining, Ext, 0.38d, [E- Ring]	2
4	1049003	(00000000-	) Valve, Check, 1 Psi, Bm02/Bm02	1
5	10632- 12	(00000000-	) Grommet, Rbr, 0.38id, F/0.5h, .12 Matl	1
6	9006630	(00000000-	) Tube, 3.175 Id 9.0 Od 1120mm L	1
7	1051274	(00000000-	) Gasket, Shield, Float	1
8	1044370	(00000000-	) Ball, Float, W/O Cage	1
9	1042277	(00000000-	) Shield, Float	1
10	140011	(00000000-	) Washer, Flat, 0.21b 0.45d .03, Ss	3
11	140350	(00000000-	) Screw, Pan, Phl, 10- 16 X 0.50, Ss[Typ25]	13
12	140504	(00000000-	) Nut, Lock, Conduit, Pm08	1
13	602849	(00000000-	) Strainrelief, Cord, Ele, Pm08, Blk Nyl	1
14	140349	(00000000-	) Clamp, Hose, Ear, .318- .374, Ss	1
15	1055206	(00000000-	) Fitting, Ss, Str, Bm02/Bm06	1
16	1063122	(00000000-	) Clamp, Hose, Wormdrive, Ss, 0.25- 0.62d	1
17	1055480	(00000000-	) Filter, Tube, Soltn, 080mesh	1
18	1052876	(00000000-	) Gasket, Tank	2
19	1054345	(00000000-	) Clip, Retaining, Seal	2
20	1036090	(00000000-	) Seal, Vacuum	2
21	1050434	(00000000-	) Cover, Tank, Inner, Black	1
22	140308	(00000000-	) Clamp, Hose, Wormdrive, 1.31- 2.25d, .50w	4
23	1035866	(00000000-	) Hose, Recvy, Formed	1
24	1037756	(00000000-	) Hose, Vacuum, 1.50id X 018.0l, Clr	1

# STANDARD PARTS

## VACUUM FAN GROUP

355120





**VACUUM FAN GROUP**

Ref.	Tennant Part No.	Serial Number	Description	Qty.	
1	1026454	(00000000-	) Screw, Pan, Phl, M5 X 0.80 X 10, Ss	3	
2	1048251	(00000000-	) Wldt, Plate, Mtg, Vacuum	1	
3	1050413	(00000000-	) Screw, Trs, M6 X 1 X 16, Torx T40, Ss	3	
4	01684	(00000000-	) Washer, Flat, 0.27b 0.69d .05, Ss	3	
5	1056088	(00000000-	) Meter, Hour, 5- 80v Ac/Dc	1	
▽	6	9008334	(00000000-	) Shroud Kit, W/Labels [Tco T1 Li]	1
▲	7	1051631	(00000000-	) Label, Spinning Brush, Dual Text	2
▲	8	1039084	(00000000-	) Label, Logo, 05.5l White / TI [Tennant]	1
9	1050480	(00000000-	) Spacer, 9.52od X 7.14id X 72.3l Ss	2	
10	1040381	(10519394-	) Nut, Hex, Flng, M6 X 1.0, Ss [Serrated]	2	
10	1040381	(00000000- 10519393	) Nut, Hex, Flng, M6 X 1.0, Ss [Serrated]	8	
11	1053269	(00000000-	) Gasket, 38.1mm Th, 50.8mmid 95.25mmod	1	
12	1048362	(00000000-	) Fan, Vacuum, Domel	1	
13	130773	(00000000-	) Tie, Cable, Nyl, 11.0l, .14w, 3.0 Max. D	1	
14	390677	(00000000-	) Muffler, Exhaust, Vacfan, Long	1	
15	1011093	(00000000- 10519393	) Isolator, Vib, .75d, M6 Stud Both Ends	3	
16	1050468	(00000000-	) Bracket, Mtg, Vacuum	1	
17	1067430	(00000000-	) Hose Assy, Vacuum, Wye	1	
18	11531	(00000000-	) Clamp, Hose, Wormdrive, 1.06- 2.00d, .56w	1	
19	1061360	(00000000-	) Gasket, Hourmeter	1	
20	1062016	(10519394-	) Isolator, Vib, .75d	3	

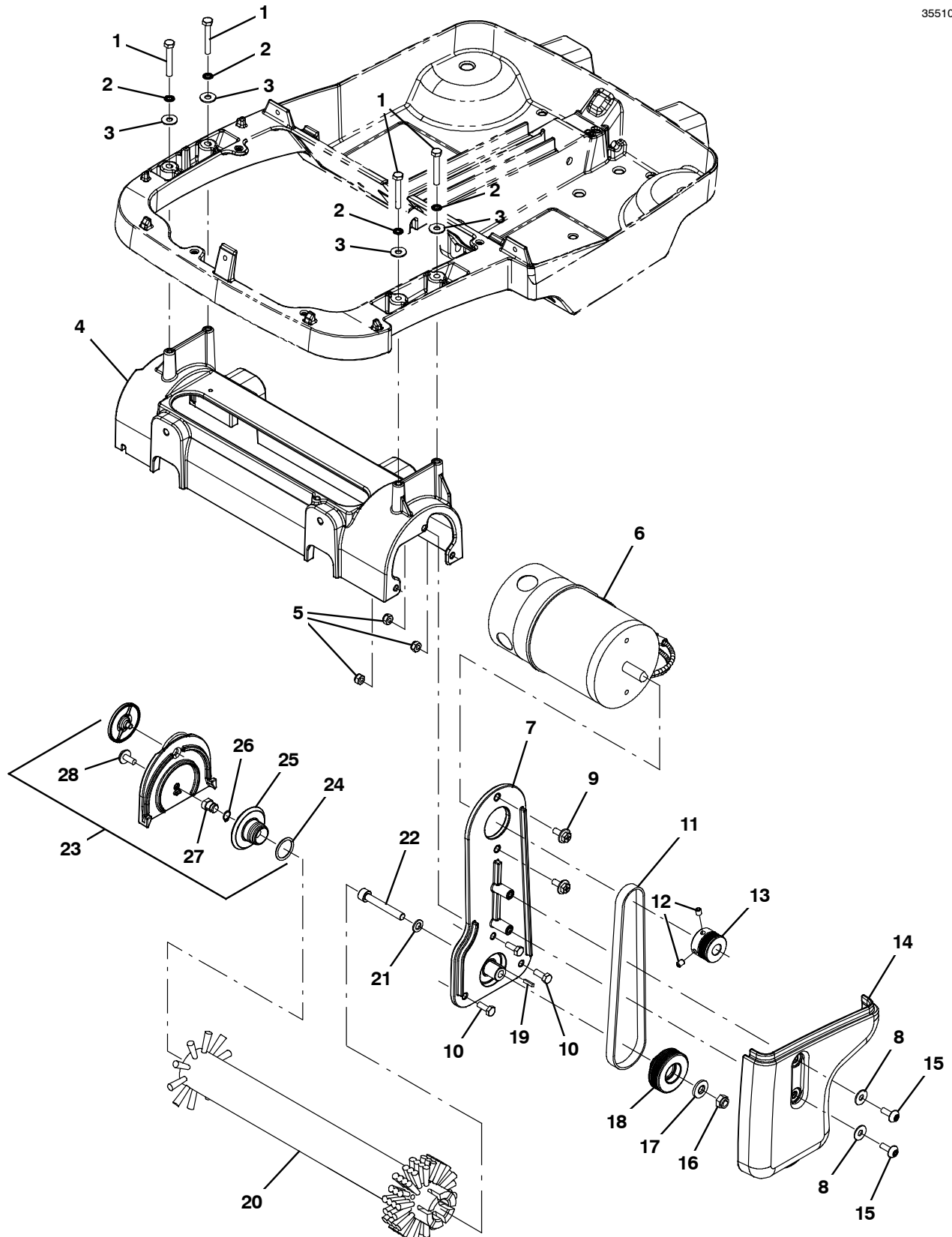
▽ ASSEMBLY

▲ INCLUDED IN ASSEMBLY

# STANDARD PARTS

## SCRUB HEAD GROUP

355107



**SCRUB HEAD GROUP**

Ref.	Tennant Part No.	Serial Number	Description	Qty.
1	33930	(00000000-	) Screw, Hex, M6 X 1.00 X 40, Ss	4
2	1027144	(00000000-	) Washer, Lock, Int, M6, Ss	4
3	01684	(00000000-	) Washer, Flat, 0.27b 0.69d .05, Ss	4
4	1034380	(00000000-	) Housing, Brush, Sngl, 40cm	1
5	08712	(00000000-	) Nut, Hex, Lock, M6 X 1.00, NI, Ss	3
6	1048393	(00000000-	) Motor, 12vdc, 3.98 Dia. X 6.5 L	1
7	9006629	(00000000-	) Bracket Kit, Motor Mount (Includes Hub, Bearing & Seal)	1
8	01684	(00000000-	) Washer, Flat, 0.27b 0.69d .05, Ss	2
9	1034731	(00000000-	) Screw, Hex, M6 X 1.00 X 16, Ss, Sems	2
10	15678	(00000000-	) Screw, Hex, M6 X 1.00 X 16, Ss	3
11	9004283	(00000000-	) Belt Kit, W/ Installation Tool	1
12	09162	(00000000-	) Screw, Set, Soc, M6 X 1.00 X 8, NI	2
13	1030620	(00000000-	) Sheave, 07grv, 32.78pd [Ph]	1
14	1054715	(00000000-	) Cover, Belt, Teal	1
15	1050413	(00000000-	) Screw, Trs, M6 X 1 X 16, Torx T40, Ss	2
16	08713	(00000000-	) Nut, Hex, Lock, M8 X 1.25, NI, Ss	1
17	41186	(00000000-	) Washer, Flat, Belleville, .31	1
18	1030625	(00000000-	) Sheave, 07grv, 49.3pd [Ph]	1
19	578416	(00000000-	) Key, Sq, 0.13 X 0.13, 0.50l	1
20	1049447	(00000000-	) Brush, Scrub, 92mm Od X 386mm	1
21	1057482	(00000000-	) Washer, Flat, 0.328b 0.562d 0.063, Ss	1
22	1057476	(00000000-	) Screw, Soc, M8 X 1.25 X 55, Ss	1
▽	23	9007962	(00000000-) Door Kit, Brush, W/ Hdwr	1
▲	24	1042312	(00000000-) Seal, Org, .103 X .862 Id, 118	1
▲	25	1030680	(00000000-) Hub, Idler, Brush	1
▲	26	01543	(00000000-) Ring, Retaining, Ext, 0.39d, Basic	1
▲	27	1030682	(00000000-) Shaft, Idler Plug	1
▲	28	1019349	(00000000-) Screw, Trs, M6 X 1.00 X 16, Ss, Sems	1

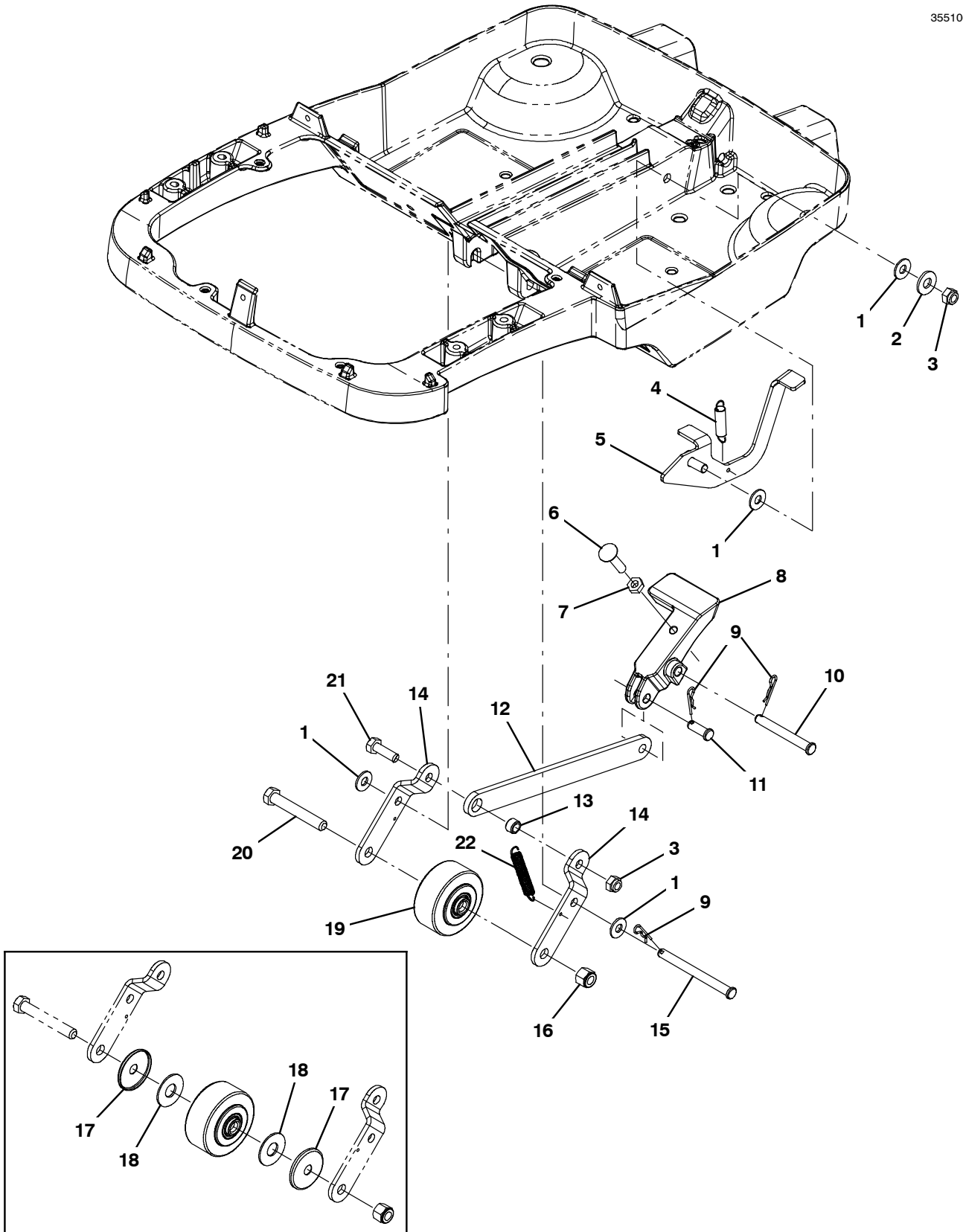
▽ ASSEMBLY

▲ INCLUDED IN ASSEMBLY

# STANDARD PARTS

## SCRUB HEAD LIFT GROUP

355106



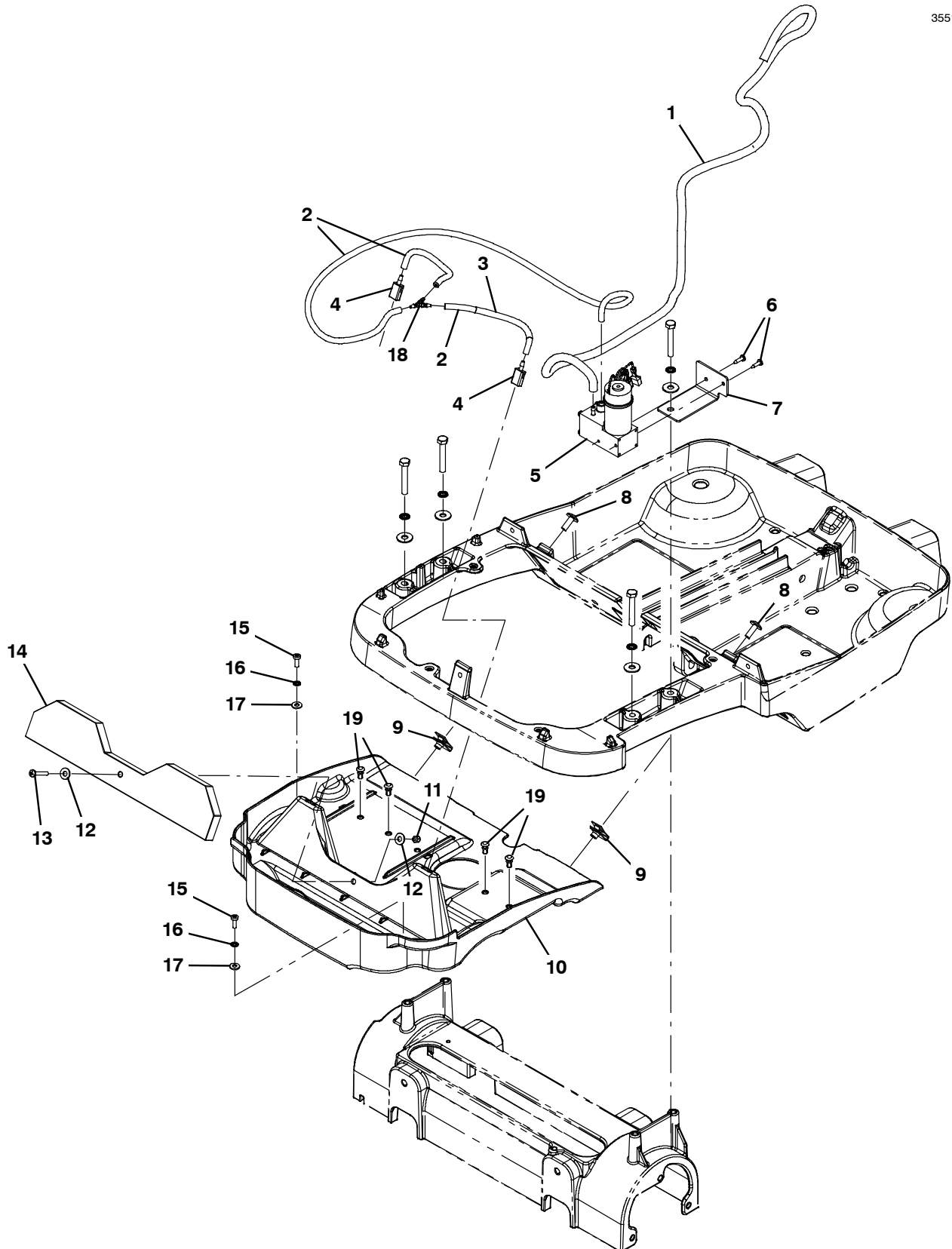
**SCRUB HEAD LIFT GROUP**

Ref.	Tennant Part No.	Serial Number	Description	Qty.
1	630446	(00000000-	) Washer, Flat, 0.31b 0.75d .06, Nyl	3
2	140027	(00000000-	) Washer, Flat, 0.35b 0.75d .04, Ss	1
3	08713	(00000000-	) Nut, Hex, Lock, M8 X 1.25, NI, Ss	2
4	1034420	(00000000-	) Lever, Pedal, Wheel Release	1
5	605812	(00000000-	) Spring, Extn	1
6	1053751	(00000000-	) Bolt, Carriage, .31- 18 X 1.25, Ss	1
7	140548	(00000000-	) Nut, Hex, Jam, Fin .31, Ss	1
8	1034376	(00000000-	) Pedal, Foot	1
9	08085	(00000000-	) Pin, Cotter, Hair, 0.31d .058 Wir	3
10	71274	(00000000-	) Pin, Clevis, 0.31d X 2.62l	1
11	386987	(00000000-	) Pin, Clevis, 0.31d X 0.88l	1
12	1034368	(00000000-	) Arm, Linkage, Transport	1
13	222516	(00000000-	) Sleeve, P/M, 0.32b 0.50d 0.3l [430ss]	1
14	1034371	(00000000-	) Bracket, Transport, Wheel	2
15	1034513	(00000000-	) Pin, Clevis, 0.31d X 3.50l	1
16	59156	(00000000-	) Nut, Hex, Lock, .38- 16, NI, Ss	1
17	1034351	(00000000-	) Guard, Thread, Wheel (NLA - Replaced by 1034355)	2
18	140045	(00000000-	) Washer, Flat, 0.51b 1.25d .06, Ss (NLA - Replaced by 1034355)	2
19	1034355	(00000000-	) Wheel, 02.5d 1.25w 0.38b, Rbr, Gray	1
20	27992	(00000000-	) Screw, Hex, .38- 16 X 2.50, G5	1
21	09010	(00000000-	) Screw, Hex, M8 X 1.25 X 25, Ss	1
22	140402	(00000000-	) Spring, Extn, 0.375od 0.045wir 01.8l, Mw	1

# STANDARD PARTS

## SOLUTION GROUP

355111



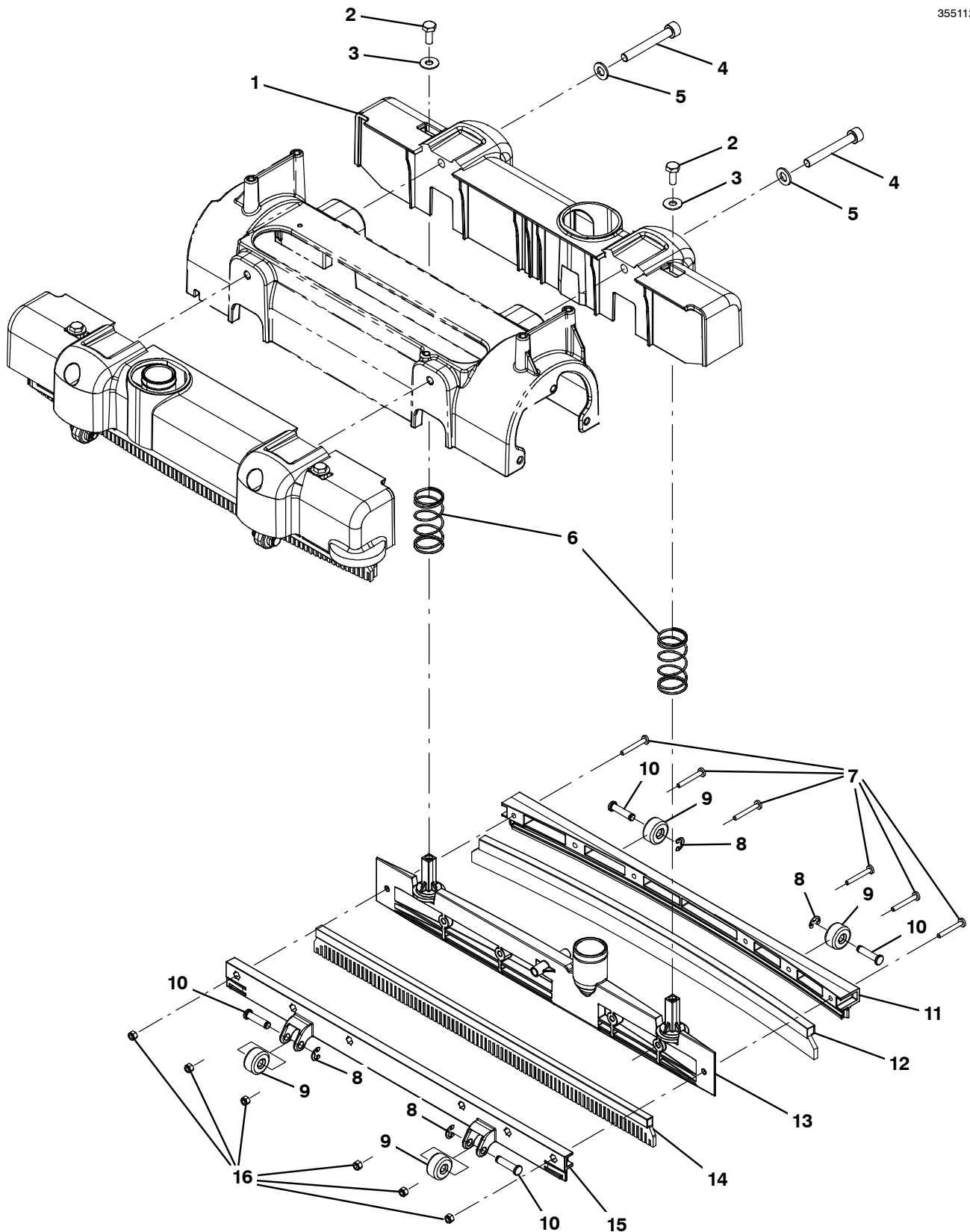
**SOLUTION GROUP**

<b>Ref.</b>	<b>Tennant Part No.</b>	<b>Serial Number</b>	<b>Description</b>	<b>Qty.</b>
1	9006630	(00000000-	) Tube, 3.175 Id 9.0 Od 1120mm L	1
2	9006631	(00000000-	) Tube, 1/8" Id, 780mm L	1
3	160123	(00000000-	) Sleeve, Heatshrink, .025, Bulk	1
4	1049141	(00000000-	) Nozzle, Fluidic	2
5	1048528	(00000000-	) Pump, Diaphragm, Liquid	1
6	222267	(00000000-	) Screw, Pan, Phl, 06- 20 X 0.50, Fmg/Ab	2
7	1048289	(00000000-	) Bracket, Mtg, Pump, Soltn	1
8	140824	(00000000-	) Screw, Trs, .25- 20 X 0.62, Phl, Ss	2
9	82138	(00000000-	) Nut, Spd, Clip, .25- 20 [.025- .150]	2
10	1067972	(00000000-	) Shrd, Splash, Nozzle	1
11	33932	(00000000-	) Nut, Hex, Lock, M4 X 0.70, NI, Ss	1
12	01683	(00000000-	) Washer, Flat, 10, Ss	2
13	04403	(00000000-	) Screw, Pan, Phl, M4 X 0.70 X 25, NI, Ss	1
14	1049064	(00000000-	) Weight, 1.27 Kg [2.8 Lb]	1
15	579237	(00000000-	) Screw, Pan, Phl, M4 X 0.70 X 12, Ss	2
16	02938	(00000000-	) Washer, Lock, Int, 08, Ss	2
17	41579	(00000000-	) Washer, Flat, 08, Ss	2
18	1055763	(00000000-	) Fitting, Plstc, Y, Bm02/Bm02/Bm02	1
19	578852	(00000000-	) Rivet, Plstc, .200d X 0.20, Snap	4

# STANDARD PARTS

## SQUEEGEE GROUP, FRONT AND REAR

355112





**SQUEEGEE GROUP, FRONT AND REAR**

Ref.	Tenant Part No.	Serial Number	Description	Qty.
1	1034109	(00000000-	) Housing, Squeegee	2
2	01697	(00000000-	) Screw, Hex, .25- 20 X 0.62, Ss	4
3	01684	(00000000-	) Washer, Flat, 0.27b 0.69d .05, Ss	4
4	09294	(00000000-	) Screw, Soc, M8 X 1.25 X 60, 12.9	4
5	39349	(00000000-	) Washer, Flat, 0.31, Sae	4
6	1049768	(00000000-	) Spring, Cmpr, 0.954id 0.062wir 02.25l	4
7	33931	(00000000-	) Screw, Pan, Phl, M4 X 0.70 X 30, Ss	12
∇	9007074	(00000000-	) Squeegee Wheel Kit, W/Hdwr	1
▲	8 1035647	(00000000-	) Ring, Retaining, Ext, 0.25", [E- Ring]	8
▲	9 1030852	(00000000-	) Roller, Squeegee	8
▲	10 1065608	(00000000-	) Pin, Grv, 6.22d, 23.0l, Ss	8
	11 1049957	(00000000-	) Retainer, Squeegee, Outer	2
	12 1064751	(00000000-	) Blade Assy, Sqge, Ure, Cast, 4.2thk	2
	13 1049358	(00000000-	) Frame, Sqge, 44cm [Newt]	2
	14 1049397	(00000000-	) Blade Assy, Sqge, Ure, Millable	2
	15 1057243	(00000000-	) Retainer, Squeegee, Inner	2
	16 33932	(00000000-	) Nut, Hex, Lock, M4 X 0.70, NI, Ss	12

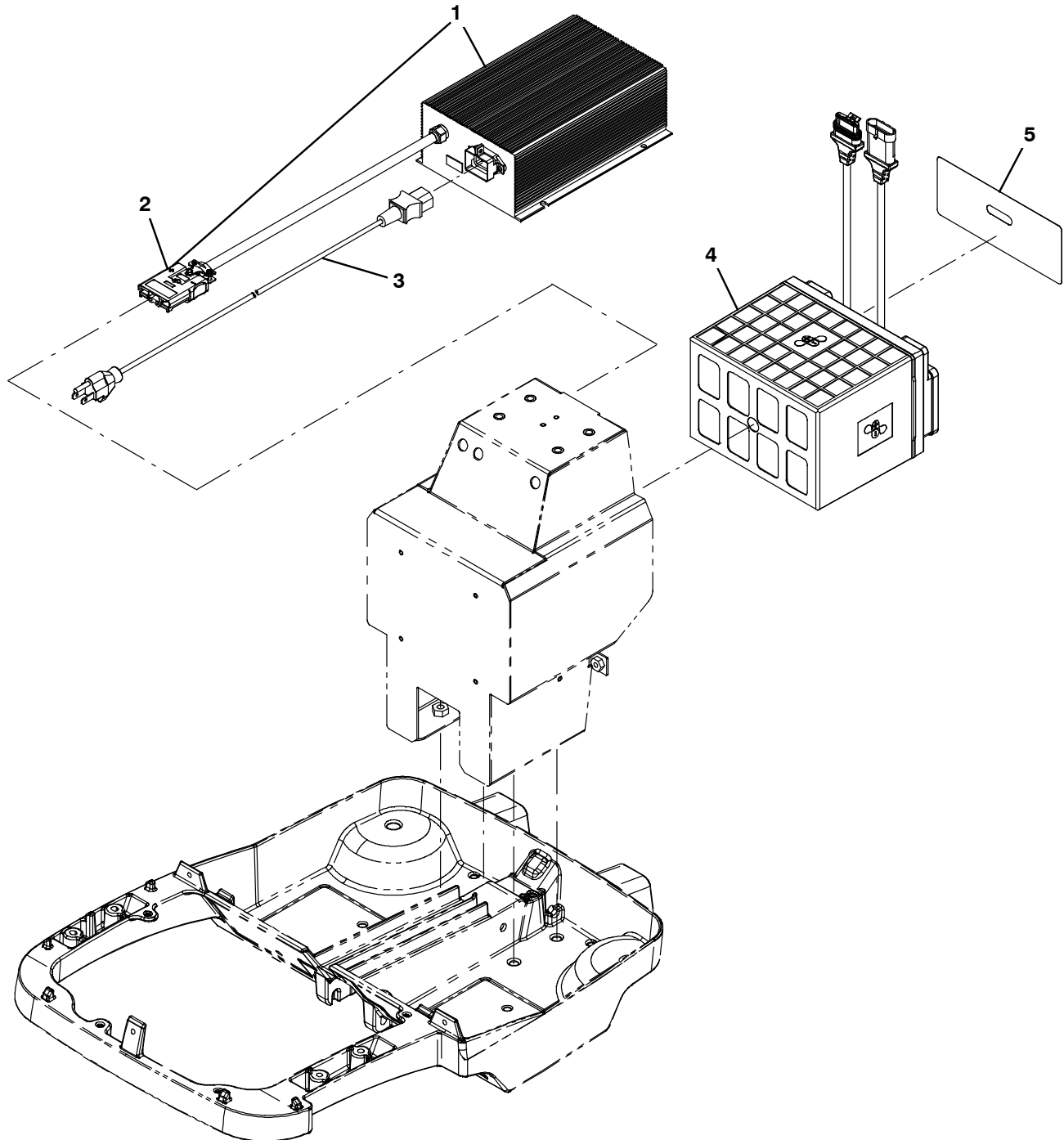
∇ ASSEMBLY

▲ INCLUDED IN ASSEMBLY

## STANDARD PARTS

### BATTERY AND CHARGER GROUP WITH BMS MODULE ATTACHED

355174



**BATTERY AND CHARGER GROUP WITH BMS MODULE ATTACHED**

	<b>Tenant</b>				
<b>Ref.</b>	<b>Part No.</b>	<b>Serial Number</b>	<b>Description</b>	<b>Qty.</b>	
∇	1	1065754	(00000000- )	Charger, 12vdc, 16a, 120/240vdc [Li- Ion]	1
▲	2	9008812	(00000000- )	Plug, Kit, Chrgr, Strain Relief Psbs 75x	1
	3	1044067	(00000000- )	Cord, Power, 16/3 Blk [2.5meter, Us/Jpn]	1
	3	1026325	(00000000- )	Cord, Power, 1.0mm2/3 Blk[2.5meter, Aus]	1
	3	1044068	(00000000- )	Cord, Power, Blk [2.5meter, Ce]	1
	3	1044069	(00000000- )	Cord, Power, Blk [2.5meter, Uk]	1
∇	4	9008732	(10540328- )	Battery Kit, 12vdc 0040ah, Ci [Li- Ion]	1
▲	5	1067699	(10540328- )	Label, Battery, Li- Ion	1

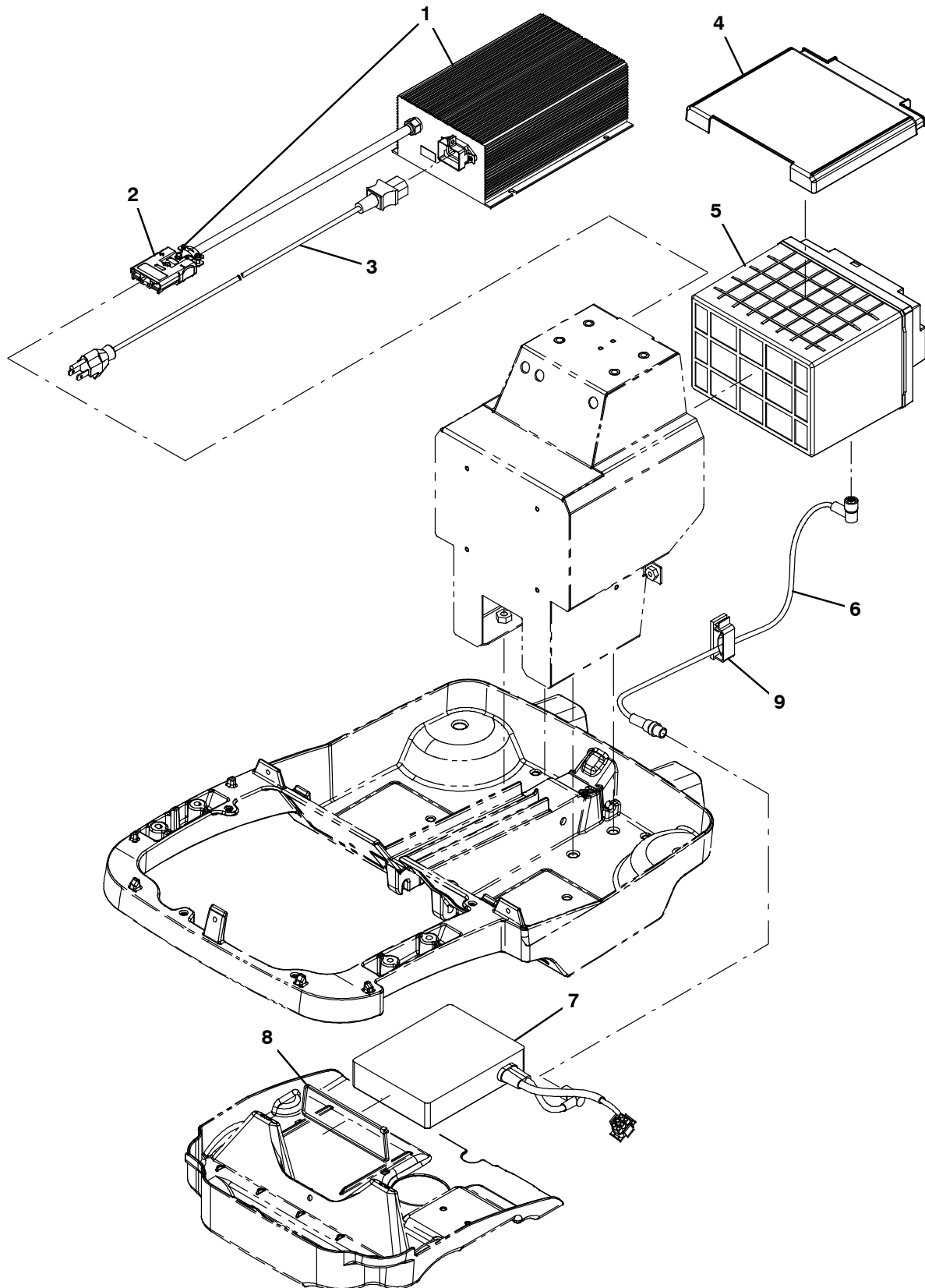
∇ ASSEMBLY

▲ INCLUDED IN ASSEMBLY

## STANDARD PARTS

### BATTERY AND CHARGER GROUP WITH SEPARATE BMS MODULE

355115



**BATTERY AND CHARGER GROUP WITH SEPARATE BMS MODULE**

	<b>Tennant</b>				
<b>Ref.</b>	<b>Part No.</b>	<b>Serial Number</b>		<b>Description</b>	<b>Qty.</b>
▽	1	1065754	(00000000-	) Charger, 12vdc, 16a, 120/240vdc [Li- Ion]	1
▲	2	9008812	(00000000-	) Plug, Kit, Chrgr, Strain Relief Psbs 75x	1
	3	1044067	(00000000-	) Cord, Power, 16/3 Blk [2.5meter, Us/Jpn]	1
	3	1026325	(00000000-	) Cord, Power, 1.0mm2/3 Blk[2.5meter, Aus]	1
	3	1044068	(00000000-	) Cord, Power, Blk [2.5meter, Ce]	1
	3	1044069	(00000000-	) Cord, Power, Blk [2.5meter, Uk]	1
	4	1058600	(00000000- 10540327	) Cover, Battery	1
	5	1047805	(00000000- 10540327	) Battery, 12v, 40ah, Li- Ion [U1] (Replaced by 9008732)	1
	6	1048715	(00000000- 10540327	) Cable, 5 Pin, 750 Mm L [Batt- Bms]	1
	7	1049989	(00000000- 10540327	) Module, Battery [Bms, Sealed]	1
	8	130644	(00000000- 10540327	) Tie, Cable, Nyl, 17.5l .19w	1
	9	222666	(00000000- 10540327	) Clamp, Cable, Ribbon, 1.25w 0.25h, Plstc	1

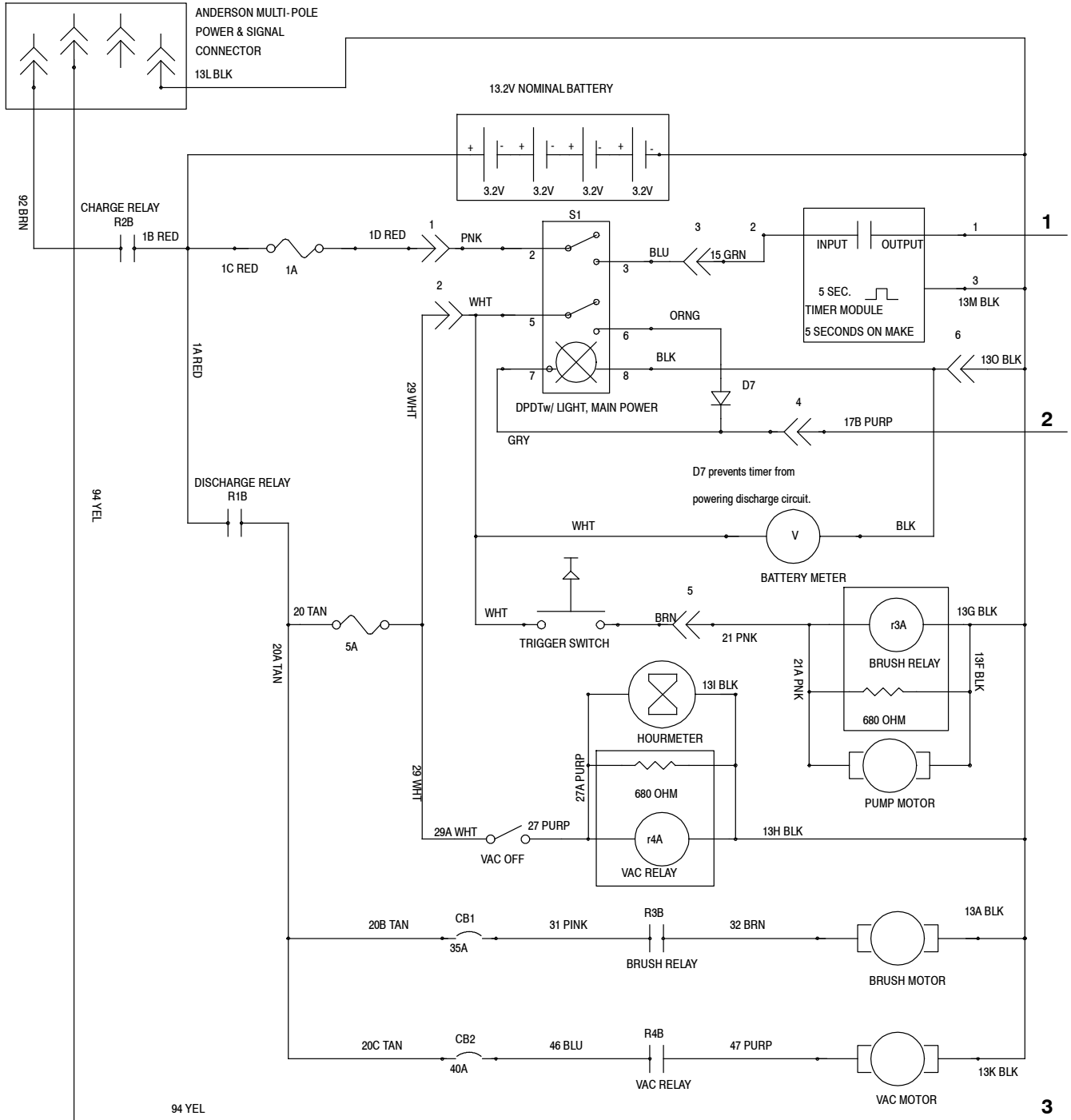
▽ ASSEMBLY

▲ INCLUDED IN ASSEMBLY

**STANDARD PARTS**

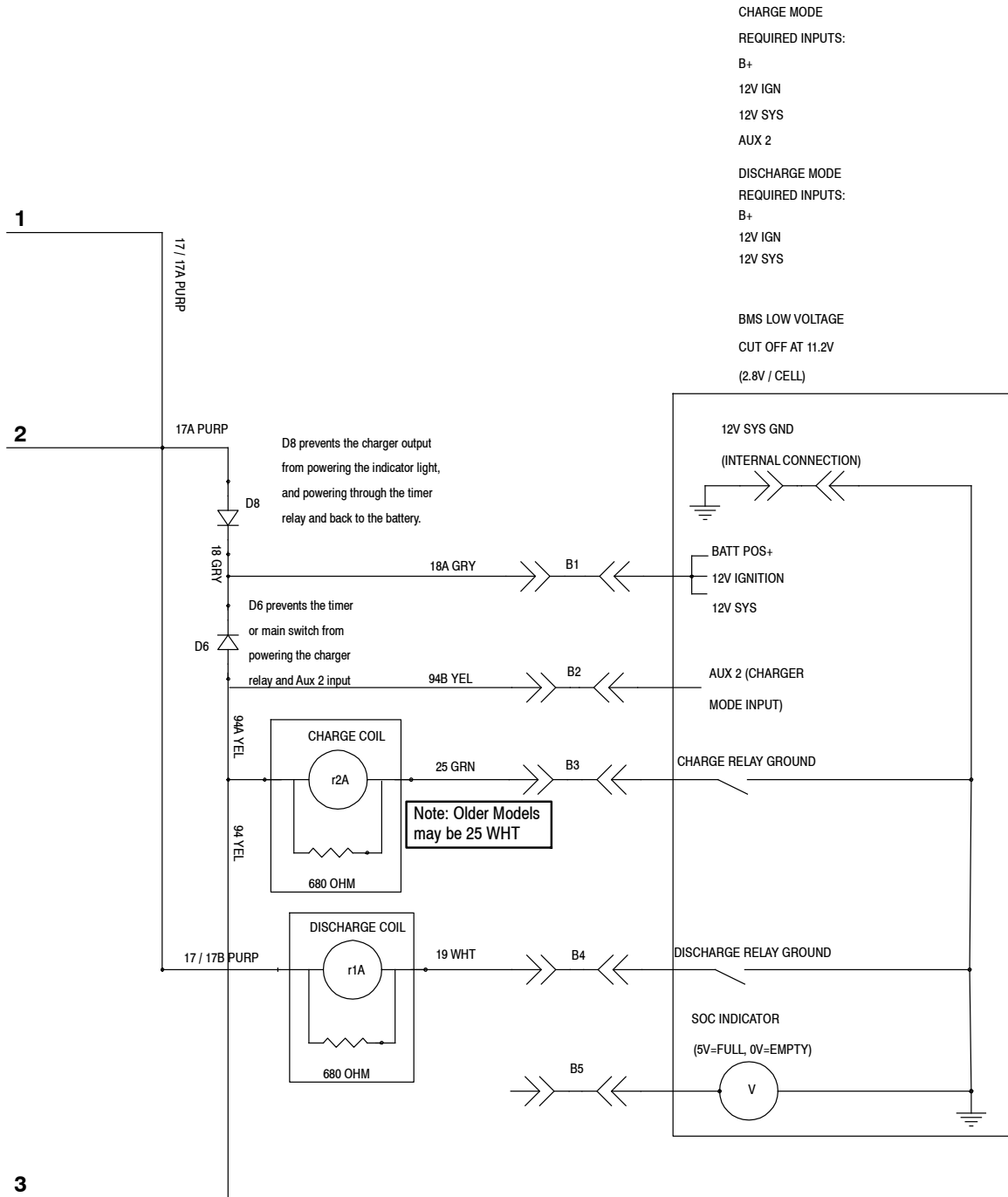
**ELECTRICAL DIAGRAM WITH BMS MODULE ATTACHED TO BATTERY**

1050041



**ELECTRICAL DIAGRAM WITH BMS MODULE ATTACHED TO BATTERY**

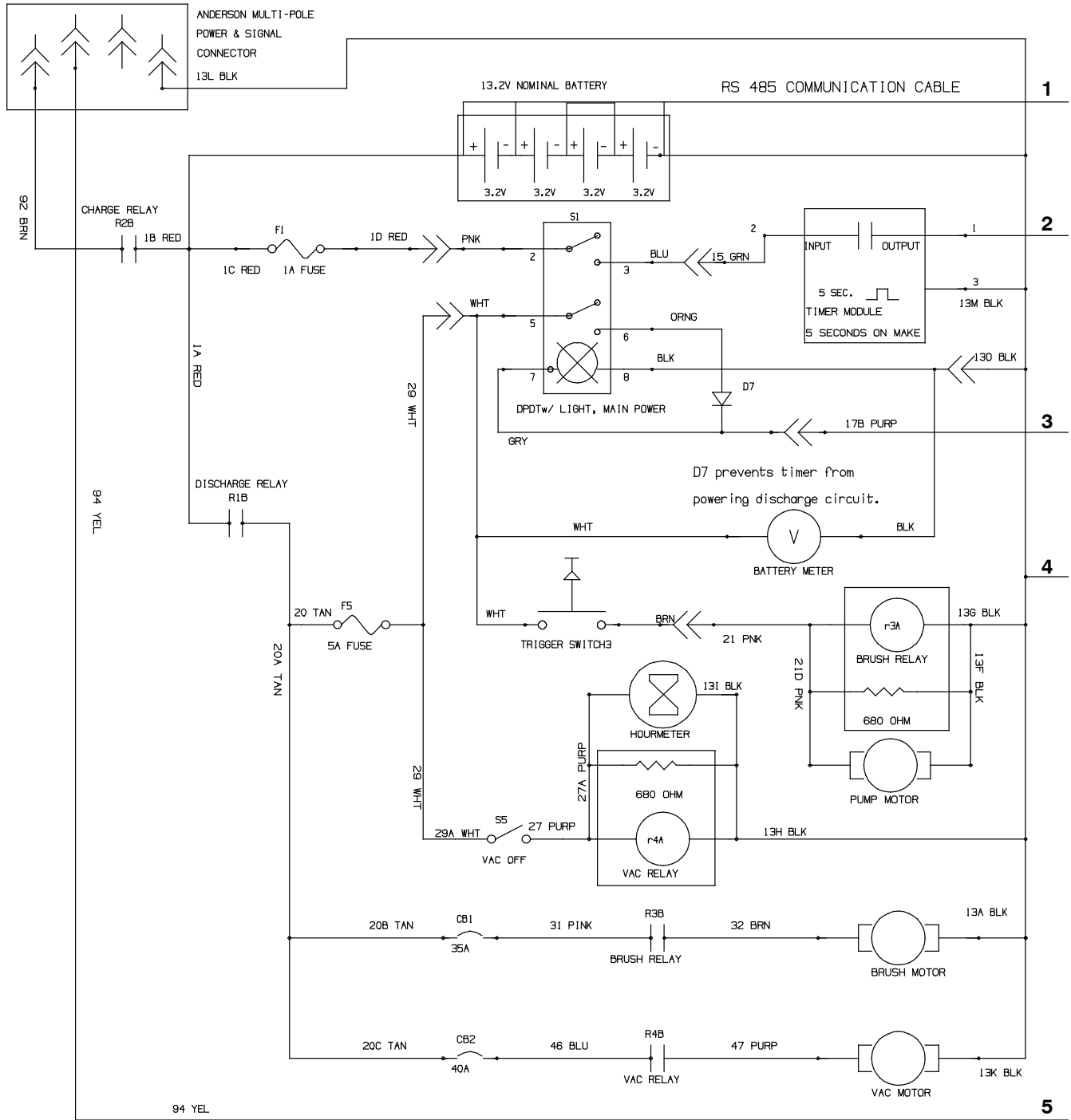
1050041



# STANDARD PARTS

## ELECTRICAL DIAGRAM WITH SEPARATE BMS MODULE

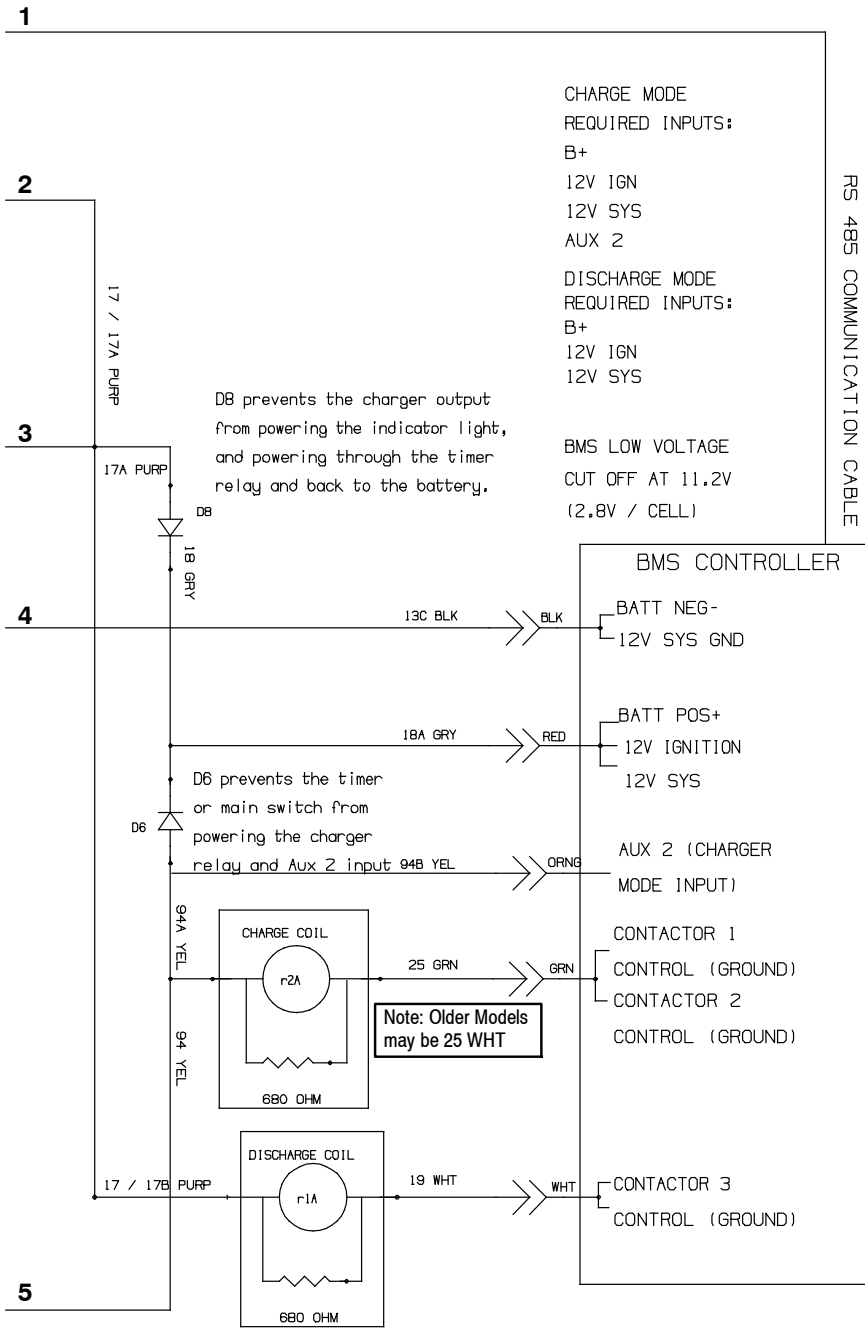
1050041





**ELECTRICAL DIAGRAM WITH SEPARATE BMS MODULE**

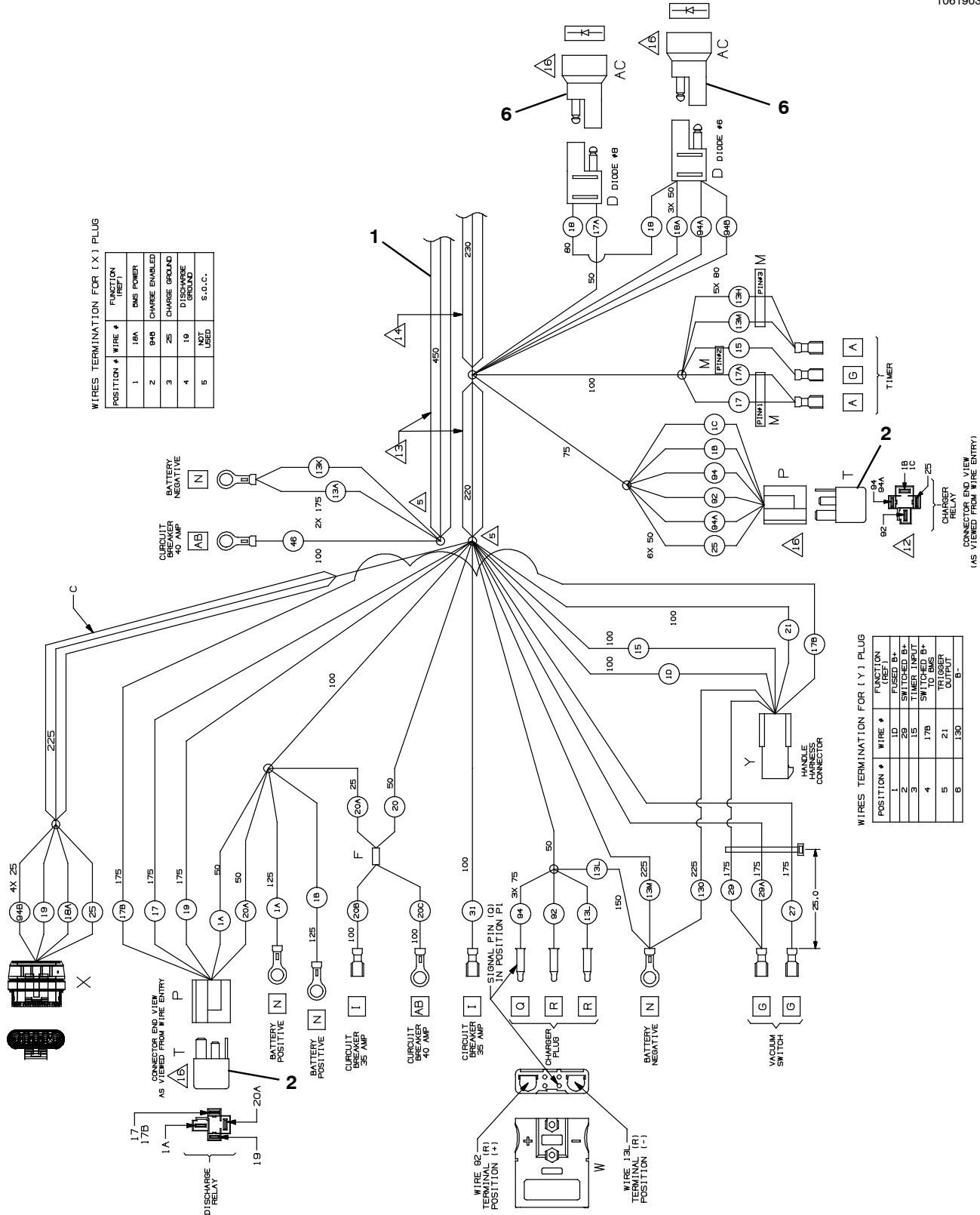
1050041



**STANDARD PARTS**

**WIRE HARNESS, MAIN (S/N 10575378- )**

1061903



WIRES TERMINATION FOR (X) PLUG

POSITION #	WIRE #	FUNCTION (REF.)
1	19A	BMS POWER
2	19B	CHARGE ENABLED
3	25	CHARGE GROUND
4	19	DISCHARGE
5	NOT USED	S.O.C.

WIRES TERMINATION FOR (Y) PLUG

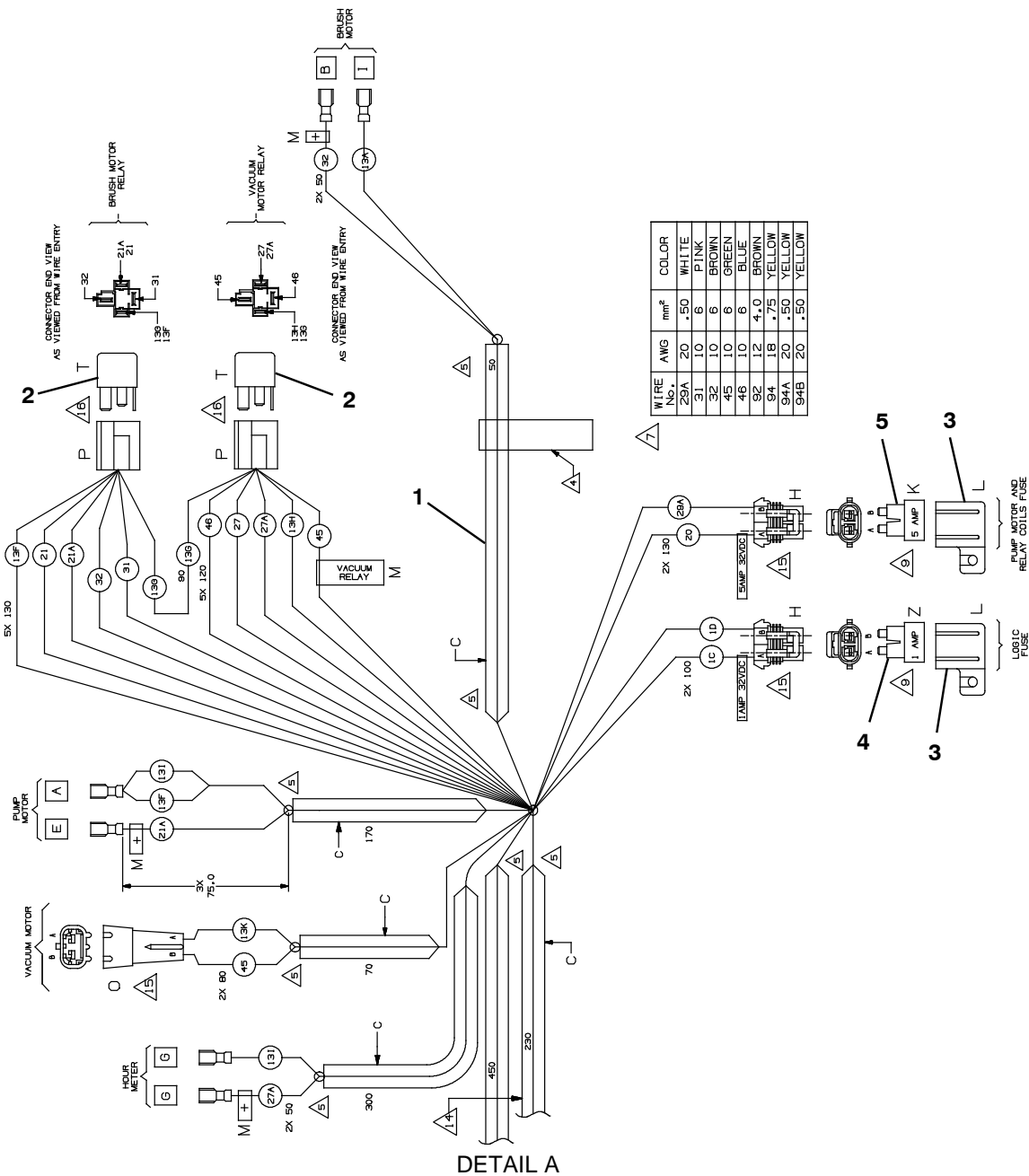
POSITION #	WIRE #	FUNCTION (REF.)
1	10	FUSED B+
2	15	SWITCHED B+
3	15	TIMER INPUT
4	17B	SWITCHED B+ TO BMS
5	21	CHARGER OUTPUT
6	130	B-

CONNECTED END VIEW (AS VIEWED FROM WIRE ENTRY)

CONNECTOR END VIEW (AS VIEWED FROM WIRE ENTRY)

**WIRE HARNESS, MAIN (S/N 10575378- )**

1061903



DETAIL A

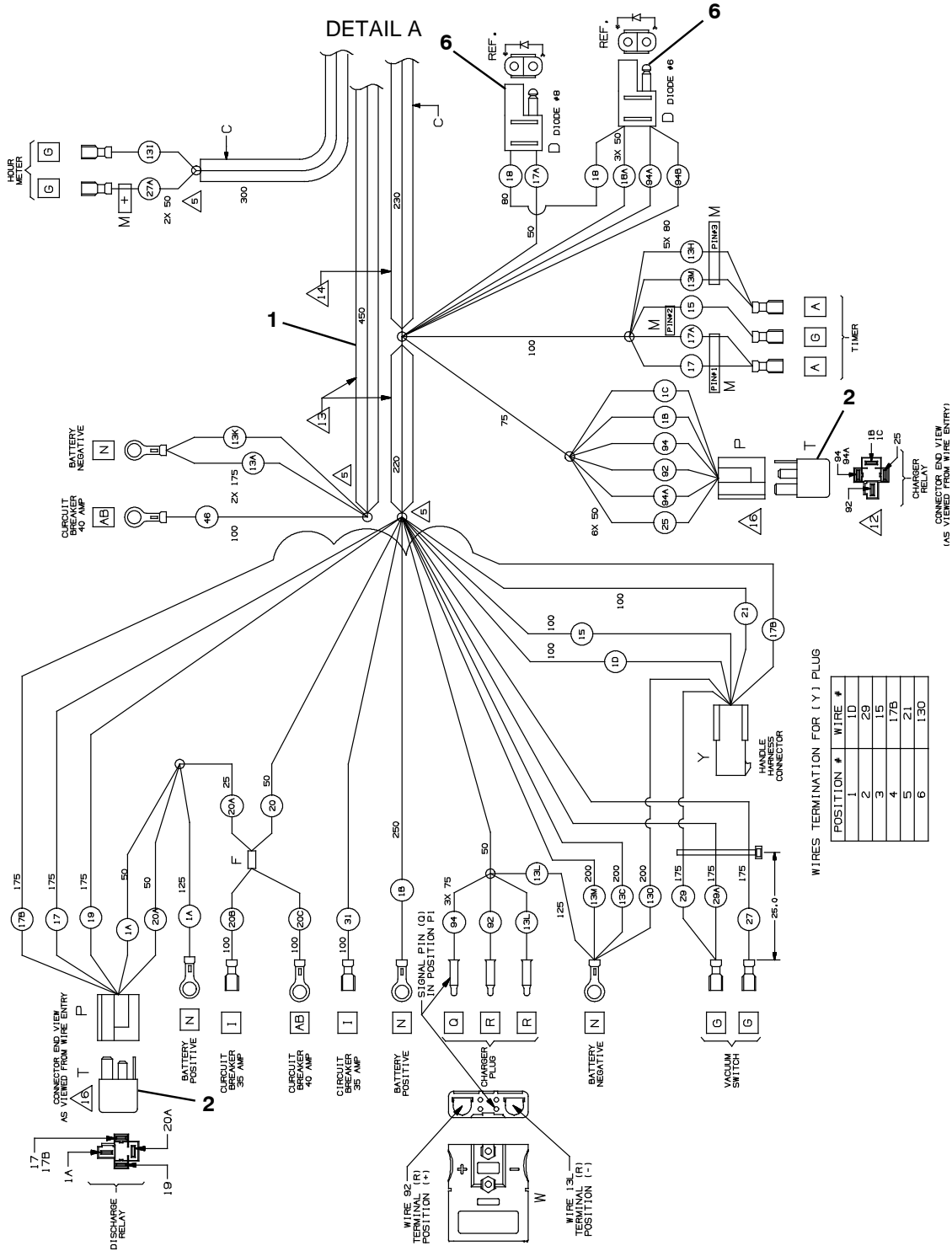
Ref.	Tennant Part No.	Serial Number	Description	Qty.
∇	1	1061903	(10575378- ) Harness, Chassis, Sng [Na / Emc - Rev2c]	1
▲	2	1060940	(00000000- ) Contactor, 12vdc, 080a, Spst, No	4
▲	3	1031195	(00000000- ) Cover, Fuse [Mp 630 2f]	2
▲	4	1052127	(00000000- ) Fuse, Blade, 001a, 32vdc	1
▲	5	1016029	(00000000- ) Fuse, Blade, 005a, 32vdc	1
▲	6	222290	(00000000- ) Diode, Ele, Plug	2

∇ ASSEMBLY  
 ▲ INCLUDED IN ASSEMBLY

# STANDARD PARTS

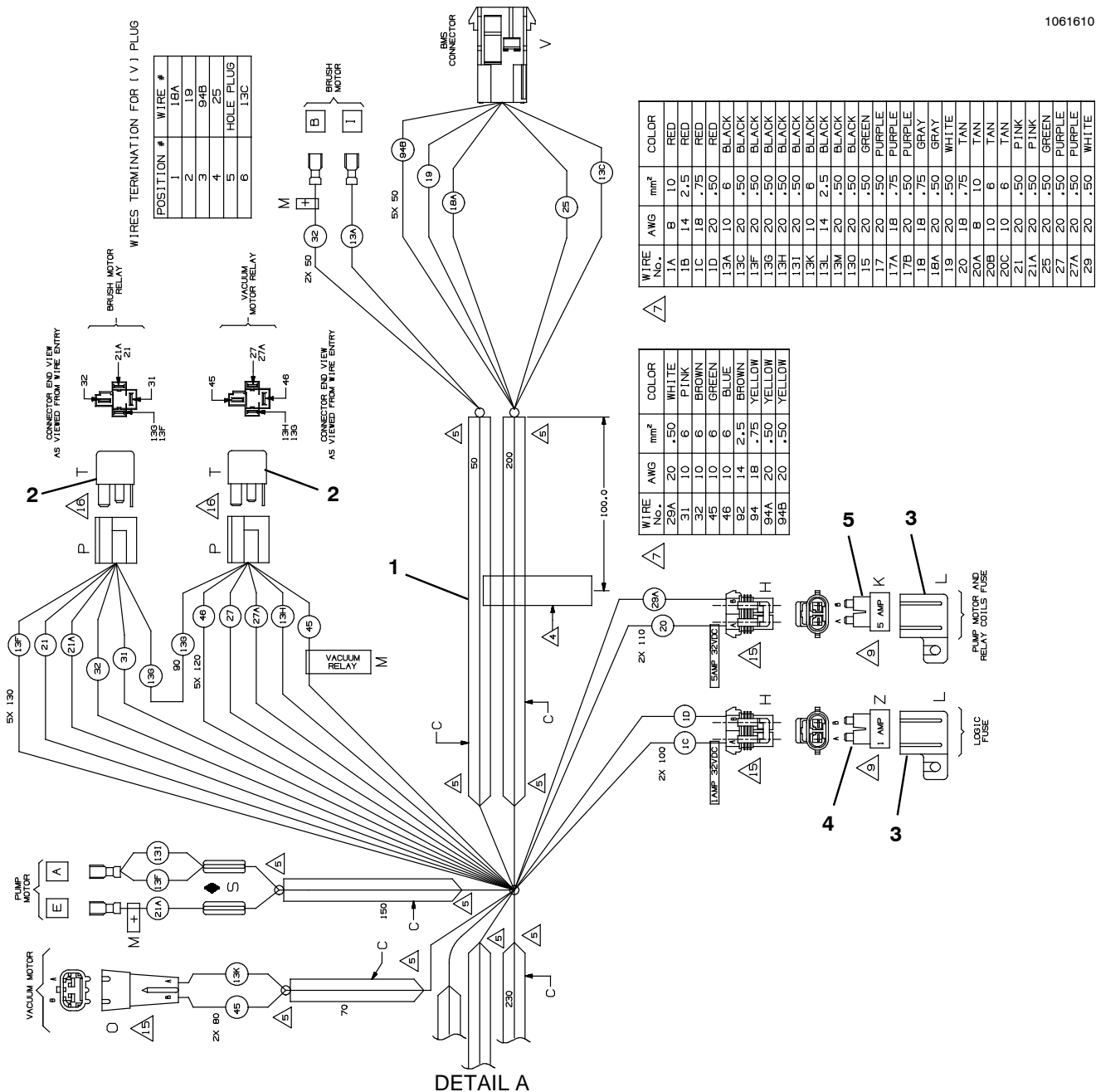
## WIRE HARNESS, MAIN (S/N 0000000-10575377)

1061610



**WIRE HARNESS, MAIN (S/N 0000000-10575377)**

1061610



WIRES TERMINATION FOR (V) PLUG

POSITION #	WIRE #
1	18A
2	19
3	94B
4	25
5	HOLE PLUG
6	13C

WIRE No.	AWG	mm <sup>2</sup>	COLOR
1A	8	10	RED
1B	14	2.5	RED
1C	18	.75	RED
1D	20	.50	RED
13A	10	6	BLACK
13C	20	.50	BLACK
13F	20	.50	BLACK
13G	20	.50	BLACK
13H	20	.50	BLACK
13I	20	.50	BLACK
13K	10	6	BLACK
13L	14	2.5	BLACK
13M	20	.50	BLACK
15	20	.50	GREEN
17	20	.50	PURPLE
17A	18	.75	PURPLE
17B	20	.50	PURPLE
18	18	.75	GRAY
18A	20	.50	GRAY
19	20	.50	WHITE
20	18	.75	TAN
20A	8	10	TAN
20B	10	6	TAN
20C	10	6	TAN
21	20	.50	PINK
21A	20	.50	PINK
25	20	.50	GREEN
27	20	.50	PURPLE
27A	20	.50	PURPLE
29	20	.50	WHITE

WIRE No.	AWG	mm <sup>2</sup>	COLOR
29A	20	.50	WHITE
31	10	6	PINK
32	10	6	BROWN
45	10	6	GREEN
46	10	6	BLUE
92	14	2.5	BROWN
94	18	.75	YELLOW
94A	20	.50	YELLOW
94B	20	.50	YELLOW

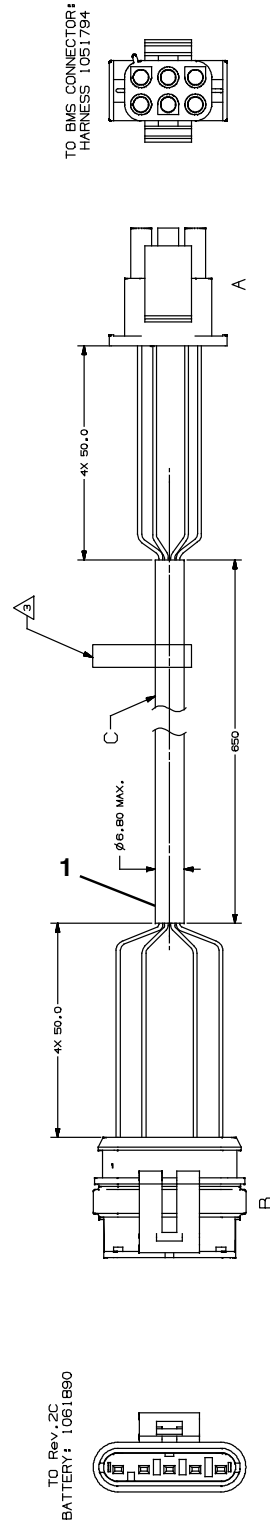
Ref.	Tennant Part No.	Serial Number	Description	Qty.
∇	1	1061610	(0000000-10575377) Harness, Chassis, 12 Volt [Na / Emc]	1
▲	2	1060940	(0000000-) Contactor, 12vdc, 080a, Spst, No	4
▲	3	1031195	(0000000-) Cover, Fuse [Mp 630 2f]	2
▲	4	1052127	(0000000-) Fuse, Blade, 001a, 32vdc	1
▲	5	1016029	(0000000-) Fuse, Blade, 005a, 32vdc	1
▲	6	222290	(0000000-) Diode, Ele, Plug	2

∇ ASSEMBLY  
 ▲ INCLUDED IN ASSEMBLY

**STANDARD PARTS**

**WIRE HARNESS, JUMPER (S/N 10540328- 10575377)**

1059444



WIRE TERMINATION FOR CONNECTOR (A)

POSITION #	WIRE COLOR	FUNCTION
1	BLACK	POWER
2	WHITE	DISCHARGE
3	BROWN	GROUND
4	BLUE	CHARGE
5	CAVITY PLUG	NOT USED
6	CAVITY PLUG	GROUND

WIRE TERMINATION FOR CONNECTOR (B)

POSITION #	WIRE COLOR	FUNCTION
1	BLACK	POWER
2	BROWN	CHARGER ENABLE
3	BLUE	GROUND
4	WHITE	DISCHARGE
5	HOLE PLUG	SOC

TERMINAL	TERMINAL TYPES & SIZE	MFR	MANUFACTURER'S PART NUMBER
A	AMP MATE-N-LOCK 6 POSITION CONNECTOR, HOUSING P/N: 1480704-011 (1 REQ'D); SOCKET CONTACTS P/N: 350556-1 (1 REQ'D); WIRE SEAL P/N: 794278-1 (1 REQ'D); CAVITY PLUG P/N: 770377-1 (2 REQ'D)	AMP/TYCO	
B	AMP SUPERSEAL 1.5 5 POSITION CONNECTOR, HOUSING P/N: 282089-1 (1 REQ'D); TERMINALS 282403-1 (4 REQ'D) OR 183035-1; CABLE SEALS 281934-4 (4 REQ'D); HOLE PLUG 282081 (1 REQ'D)	AMP	
C	20/4 CONDUCTOR CABLE	NORTH WIRE	FITC 204-01D OR ENGINEERING APPROVED EQUIV/LANT

Ref.	Tennant Part No.	Serial Number	Description	Qty.
1	1059444	(10540328- 10575377 )	Harness, Jumper, [ Valence Rev1 - Rev2c]	1

