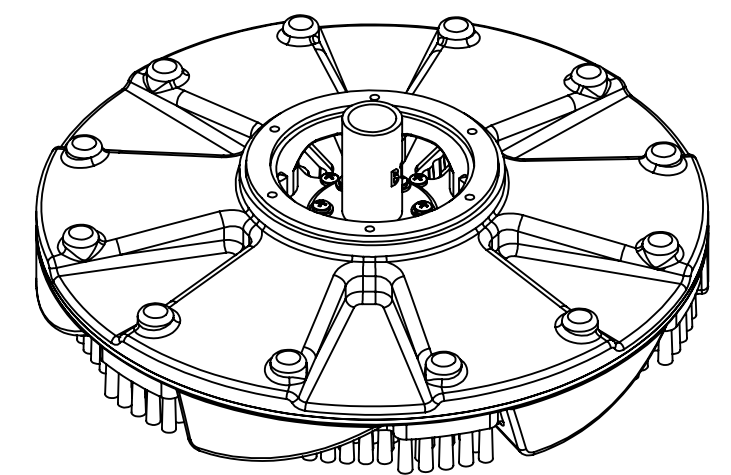


ITEM NO.	PART NO.	DESCRIPTION	QTY.	MSRP
1	G014	seal, felt, T-REX	1	\$5.99 ea
2	P518	manifold, upper, vac, T-REX	1	\$80.99 ea
3	G037	o-ring, 13.5" id x 1/8" w. T-Rex	1	\$7.99 ea
4	B161	manifold, upper, solution, T-REX	1	\$124.99 ea
5	H222	screw, 10-32 x 1-1/4" phil pan head, s/s	6	\$0.99 ea
6	H213	washer, 1/4" lock, s/s	6	\$0.99 ea
7	G027	o-ring, 1.75" o.d. x 1/8" width	2	\$0.99 ea
8	H090	manifold, lower, vac, T-REX	1	\$89.99 ea
9	H018	screw, 10-32 x 1/2", FHSCS, s/s	18	\$0.99 ea
10	H230	screw, 10-32 x 1/2" phil pan head, s/s	18	\$0.99 ea
11	H248	vac glide, T-REX	6	\$69.99 ea
12	B217	check valve, 1/8" mpt x 1/8" fpt, 5 PSI	6	\$8.99 ea
13	H036A	spray bar, 2.375", T-Rex	6	\$19.99 ea
14	B183	jet, 1/8" mpt, 1/8k 1.0, flood jet	6	\$15.99 ea
15	B157	manifold, lower, solution, T-REX	1	\$71.99 ea
16	B176	plug, 1/8" npt, countersunk hex	1	\$2.99 ea
17	H186	screw, 10-32 x 3/4, phil flat full thread	18	\$0.99 ea
18	G099	brush, tile, TRex	6	\$39.99 ea



	NAME	DATE	MYTEE PRODUCTS, INC. 858-679-1191	
DRAWN	M.LaBarbera	1/2013	TITLE: assembly, cleaning head, TRex	
CHECKED			SIZE	DWG. NO.
COMMENTS:			C	A102
PROPRIETARY AND CONFIDENTIAL THE INFORMATION CONTAINED IN THIS DRAWING IS THE SOLE PROPERTY OF MYTEE PRODUCTS, INC. ANY REPRODUCTION IN PART OR AS A WHOLE WITHOUT THE WRITTEN PERMISSION OF MYTEE PRODUCTS, INC. IS PROHIBITED.			SCALE: 1:8	DO NOT SCALE DRAWING
			SHEET 1 OF 1	REV B