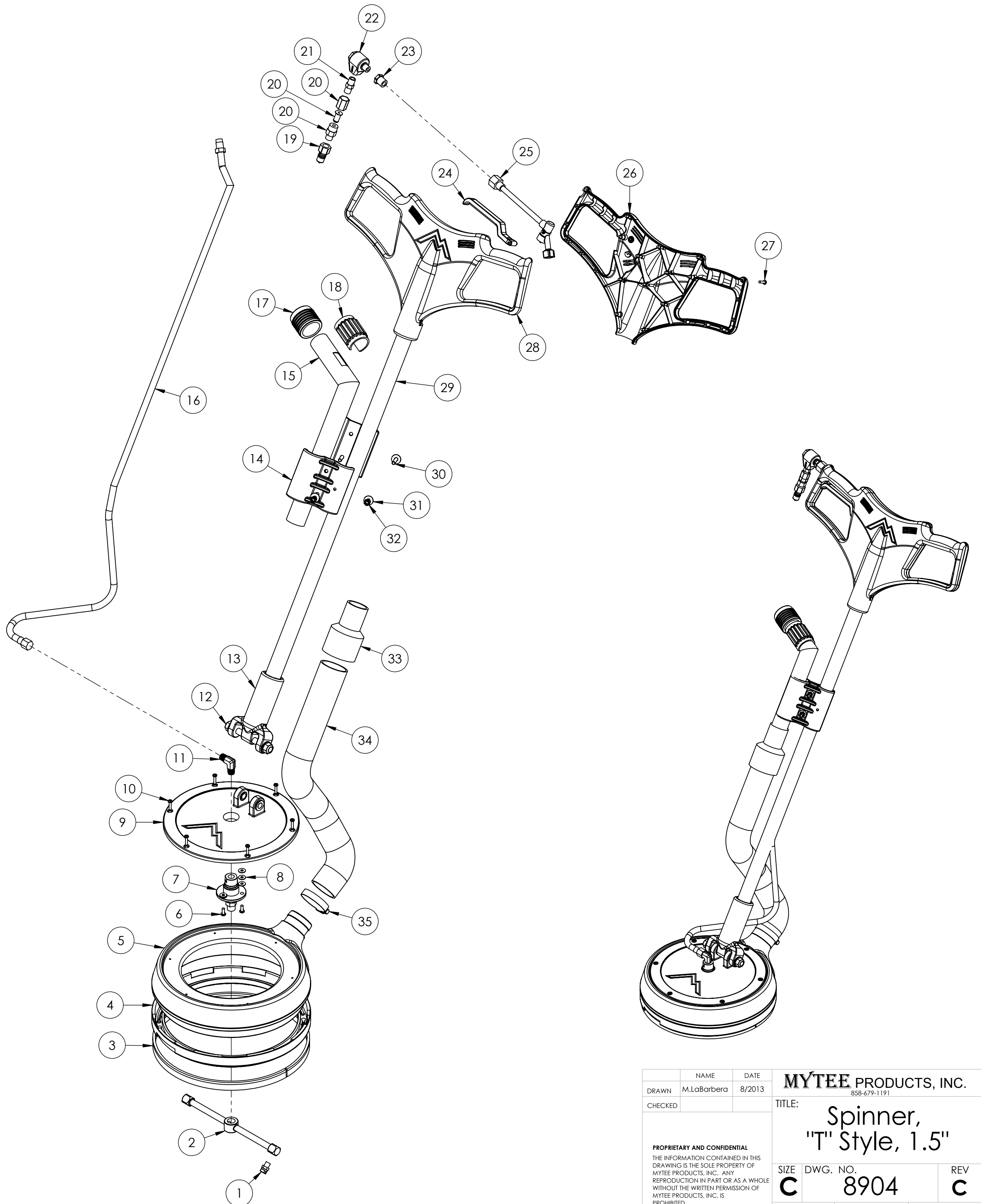


ITEM NO.	PART NO.	DESCRIPTION	QTY.	MSRP
1	H505A	jet, s/s, 1/8", 1502	2	\$9.99 ea
2	H441	bar, t, straight, 42 deg, 10"	1	\$129.99 ea
3	G098	brush, spinner ring	1	\$24.99 ea
4	P500	spinner ring, nylon	1	\$25.99 ea
5	P689A	manifold, 12" spinner, low profile	1	\$51.99 ea
6	H230	screw, 10-32 x 1/2" phil pan head, s/s	3	\$0.99 ea
7	H926	swivel, spinner	1	\$208.99 ea
8	H289	washer #10 flat, s/s	9	\$0.99 ea
9	H465A	mounting plate, 12" spinner	1	\$84.99 ea
10	H882	screw, 8 x 3/4 phil pan head, type a, s/s	6	\$0.99 ea
11	B136	elbow, brass, 90 deg, 1/4" mpt x 1/4" mpt	1	\$4.99 ea
12	H008	set; bolt, 2 lock nuts, 4 washers	1	\$2.99 ea
13	H102	yoke, spinner	1	\$11.99 ea
14	H613A	clamp, spinner handle, 1.5" x 1.25"	2	\$11.99 ea
15	H094	tube, vac, elbow, 1.5" dia, spinner	1	\$48.99 ea
16	AH206	sol hose, black 48" (OAL), fsw 1/4" x m 1/4"	1	\$21.99 ea
17	P719	barb, 1-1/2" ID x 2" OD, spinners	1	\$4.99 ea
18	G082	cap, vacuum relief slot (spin)	1	\$3.25 ea
19	B101	qd, brass, 1/4" m	1	\$8.49 ea
20	B247	filter, in-line, 100 mesh, 1/4" mpt x fpt	1	\$13.99 ea
21	B107	nipple, brass, 1/4"m, hex	1	\$3.19 ea
22	B100A	swivel, high pressure, stainless steel	1	\$45.99 ea
23	B105	bushing, brass, 3/8"mpt x 1/4"	1	\$3.19 ea
24	P591	trigger, spinner	1	\$19.99 ea
25	B540	valve, high pressure, spinner	1	\$39.99 ea
26	P579	handle, back half, spinner	1	\$19.99 ea
27	H155	screw, 8 x 5/8", phil pan, s/s	14	\$0.99 ea
28	P578	handle, front half, spinner	1	\$25.99 ea
29	H092	handle, "T", spinner	1	\$139.99 ea
30	H204	bolt, 1/4-20 x 1 3/4" hex head, s/s	2	\$0.99 ea
31	H210	washer, 1/4" flat, s/s	4	\$0.99 ea
32	H216	nut, lock, 1/4-20, nylon insert, s/s	2	\$0.99 ea
33	H142	cuff, 2" thread x 1-1/2" slip	1	\$14.99 ea
34	PH628-24	vac hose, 2", wire reinforced	1	\$8.99/ft
35	H217	clamp, hose, 2-1/4 dia	1	\$1.49 ea

**ITEMS NOT SHOWN**

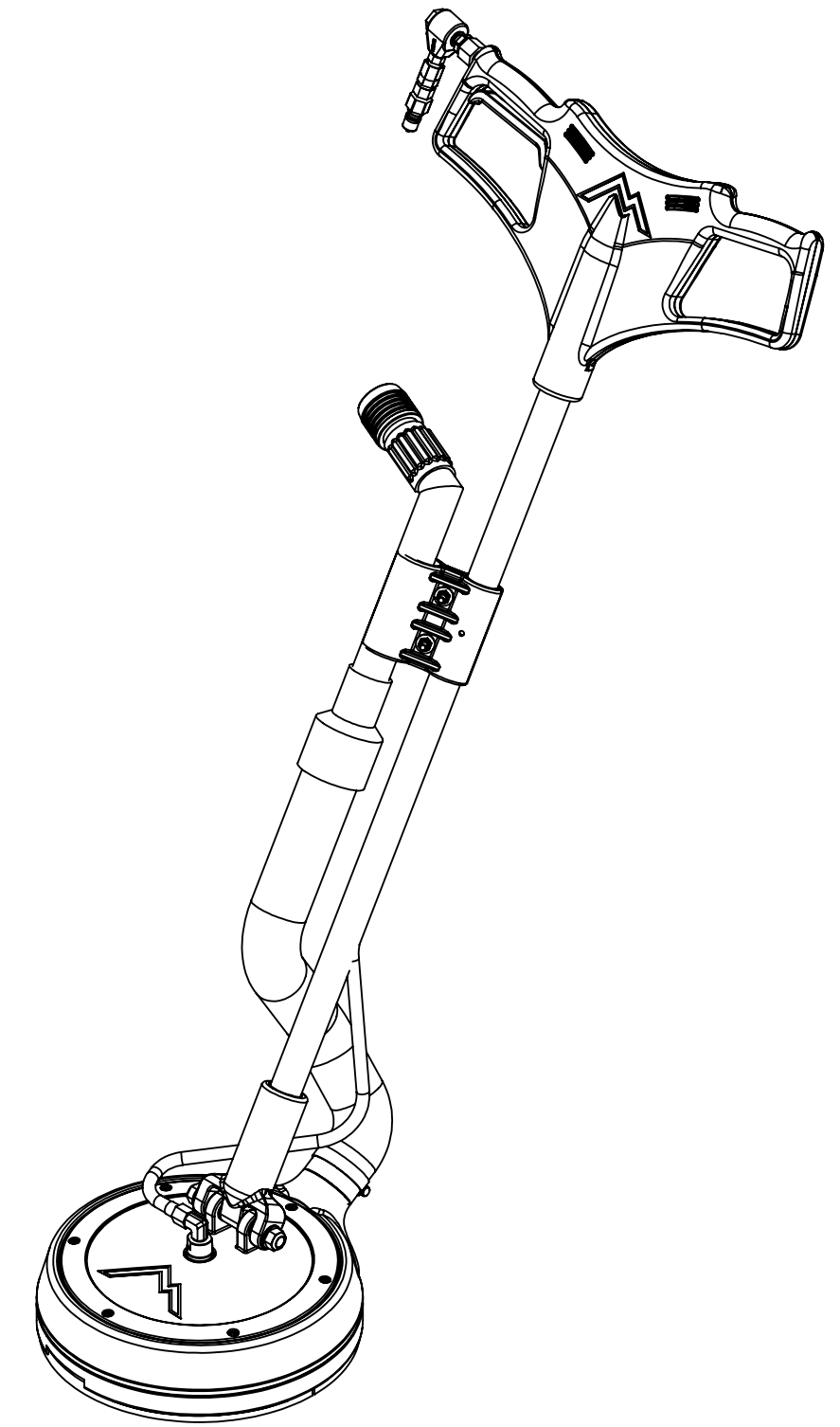
PART NO.	DESCRIPTION	QTY.	MSRP
G102	gasket, cork, 3/4" X 3", 1/8" thick	3	\$1.99 ea



	NAME	DATE	<b>MYTEE PRODUCTS, INC.</b> 858-679-1191	
DRAWN	M.LaBarbera	8/2013	TITLE: <b>Spinner, "T" Style, 1.5"</b>	
CHECKED			SIZE DWG. NO.	REV
<small>PROPRIETARY AND CONFIDENTIAL THE INFORMATION CONTAINED IN THIS DRAWING IS THE SOLE PROPERTY OF MYTEE PRODUCTS, INC. ANY REPRODUCTION IN PART OR AS A WHOLE WITHOUT THE WRITTEN PERMISSION OF MYTEE PRODUCTS, INC. IS PROHIBITED.</small>			<b>C</b>	<b>C</b>
			SCALE: 1:6	DO NOT SCALE DRAWING

**REVISIONS**

REV.	DESCRIPTION	DATE	APPROVED
OD	ORIGINAL DRAFT	-	JFL
A	ADDED H462 & G077	8/2013	JFL
B	ADDED P500 & G098	4/21/2014	ML
C	H505A REPLACES H505	6/16/2015	ML



	NAME	DATE	<b>MYTEE PRODUCTS, INC.</b> 858-679-1191	
DRAWN	M.LaBarbera	8/2013	TITLE: <b>Spinner, "T" Style, 1.5"</b>	
CHECKED			SIZE <b>C</b>	DWG. NO. <b>8904</b>
<small>PROPRIETARY AND CONFIDENTIAL THE INFORMATION CONTAINED IN THIS DRAWING IS THE SOLE PROPERTY OF MYTEE PRODUCTS, INC. ANY REPRODUCTION IN PART OR AS A WHOLE WITHOUT THE WRITTEN PERMISSION OF MYTEE PRODUCTS, INC. IS PROHIBITED.</small>			REV <b>C</b>	SHEET 2 OF 2
			SCALE: 1:6	DO NOT SCALE DRAWING