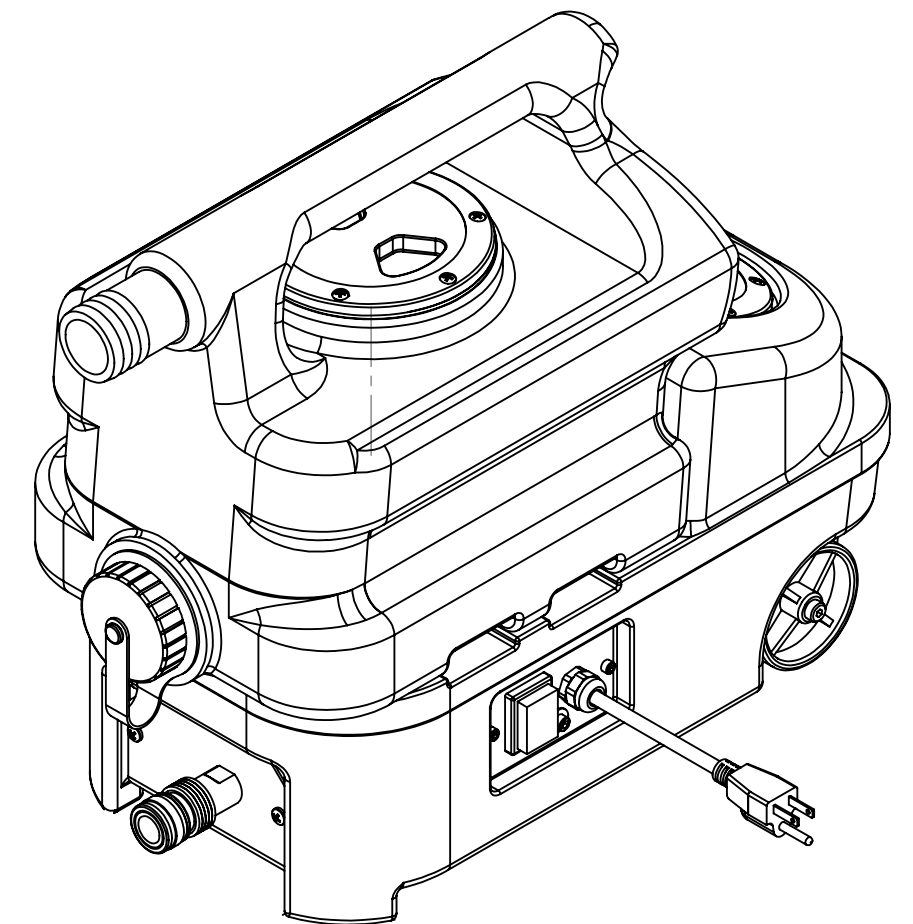


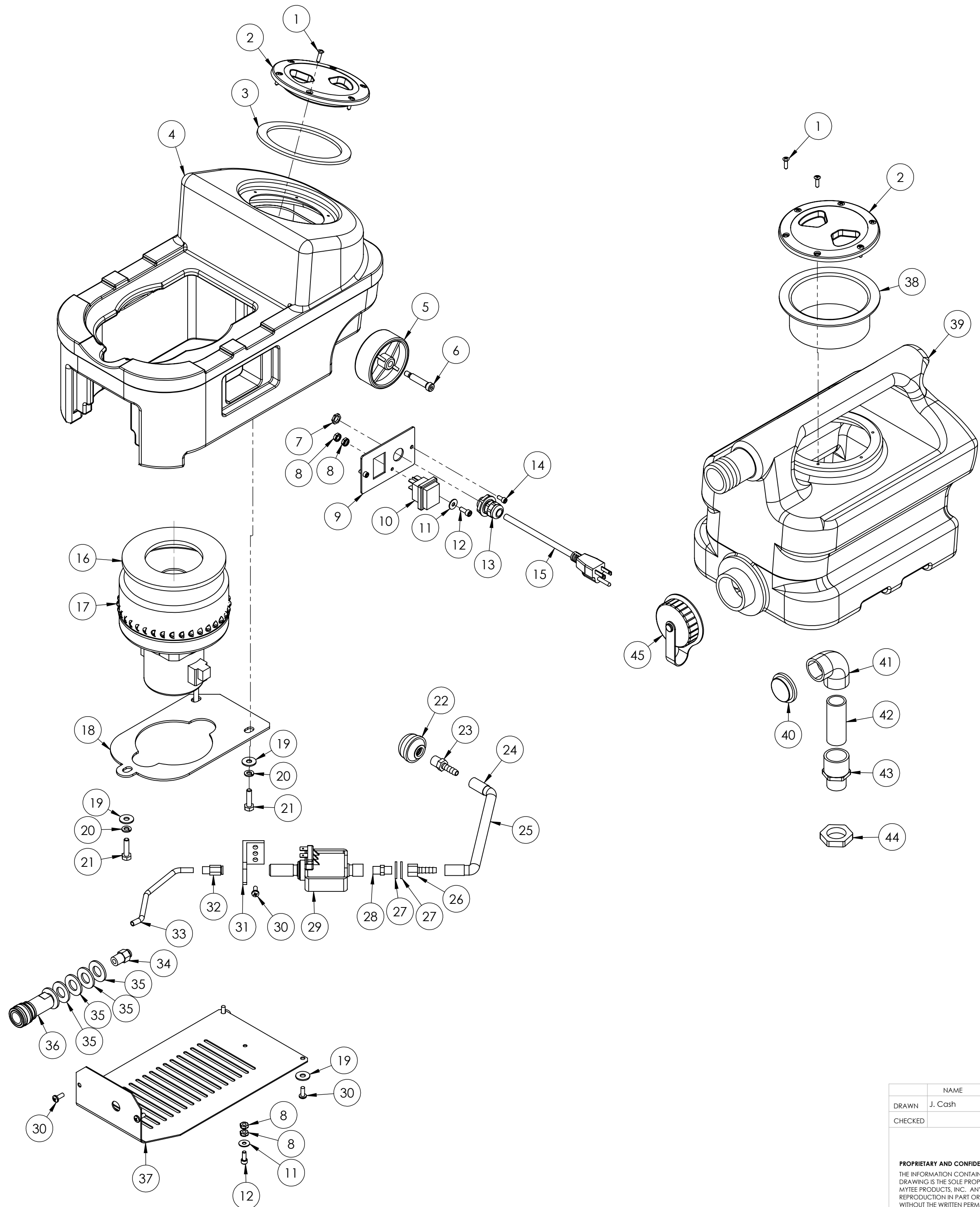
ITEM NO.	PART NO.	DESCRIPTION	QTY.	MSRP
1	H304	screw, #8 x 5/8 phil oval, s/s	12	\$0.99 ea
2	G030	lid, vac tank, 3.5", clear	2	\$13.99 ea
3	G039	gasket, vac lid, 3.5", clear	1	\$4.99 ea
4	P728A	sol tank, spotter	1	\$49.99 ea
5	H358	wheel, 3"	2	\$8.99 ea
6	H095	screw, steel, 5/16"shldr x 1-1/4" x 1/4"-20	2	\$0.99 ea
7	H856B	nut, 3/8" blk	1	\$1.99 ea
8	H273	nut, kep, #10-32 zinc	4	\$0.99 ea
9	H410	plate, switch, S-300	1	\$5.99 ea
10	E515	switch, rocker, 2 position	1	\$13.99 ea
11	H289	washer, #10 flat, black	2	\$0.99 ea
12	H389	screw, 10-32 x 1/2" SHCS, alloy	2	\$0.99 ea
13	H857	3/8 strain relief fitting	1	\$3.49 ea
14	H246	screw, 8-32 x 3/8" SHCS, alloy, Black	2	\$0.99 ea
15	E533	power cord, end, 25', 16/3	1	\$35.49 ea
16	G004-A	gasket, vacuum motor	1	\$6.99 ea
17	C316	vac motor, 2 stage, 115V, peripheral	1	\$99.99 ea
18	H646	plate, vac. mounting, spotter	1	\$20.99 ea
19	H210	washer, 1/4" flat, s/s	5	\$0.99 ea
20	H213	washer, 1/4" lock, s/s	3	\$0.99 ea
21	H342	bolt, 1/4-20 x 1" hex head, s/s	3	\$0.99 ea
22	B119	filter, strainer, 1/4"	1	\$3.99 ea
23	B109	adapter, brass, 1/4" barb x 1/4" mpt	1	\$1.99 ea
24	B170	ferrule, 1/4" brass	2	\$0.99 ea
25	PH634-8	sol hose, 1/4" silicone braided, clear	1	\$6.49 ea
26	B131	fitting, 1/4" barb x 1/8" FPT	1	\$2.99 ea
27	H384	washer, 3/8 flat, s/s	2	\$0.99 ea
28	B129	nipple, hex, 1/8" mpt x 1/8" mpt	1	\$1.99 ea
29	C378	pump, 55psi, 115V flojet	1	\$41.99 ea
30	H230	screw, 10-32 x 1/2" phil pan head, s/s	5	\$0.99 ea
31	H250	bracket, set 55 psi pump	1	\$4.99 ea
32	B140	connector, 1/4" push-in x 1/8" mpt	1	\$7.49 ea
33	PH657-8	tubing, 1/4", nylon black	1	\$1.99 ea
34	B166	fitting, brass, 1/4"mpt x 1/4" push-in	1	\$9.99 ea
35	H212	washer, 9/16" id x 1" od, s/s	5	\$0.99 ea
36	B102	qd, brass, 1/4" f x 1/4" fpt	1	\$17.99 ea
37	H898	plate, base & qd, spotter	1	\$29.99 ea
38	G058	vac tank deflector	1	\$8.99 ea
39	P728B	vac tank, spotter	1	\$59.99 ea
40	H664	mesh screen, vac stack	1	\$6.49 ea
41	H645	pvc, 90, 3/4"	1	\$0.99 ea
42	PH610-2.5	pipe, pvc, 3/4"	1	\$0.99/ft
43	H644	adapter, pvc, 3/4"	1	\$0.99 ea
44	B653	nut, brass, 3/4", lock	1	\$3.99 ea
45	G036	cap, 2.5" threaded, tethered	1	\$3.49 ea

**ITEMS NOT SHOWN**

PART NO.	DESCRIPTION	QTY.	MSRP
B104	bushing, hex, 1/4" mpt x 1/8" fpt	1	\$1.99 ea
G079	hose wrap, heat guard	1	\$2.99 ea
B101	quick disconnect, male, 1/4" male x 1/4" fpt	1	\$8.49 ea
AH135	sol hose, 1/9" x 97", (OAL), m	1	\$36.99 ea
H360	vac hose, 1-1/4" x 8'	1	\$19.99 ea
H282	tool, uph, s/s w/ valve	1	\$98.99 ea
H133	Cuff-Lynx, 1-1/4" hose x male & female	2	\$9.99 ea



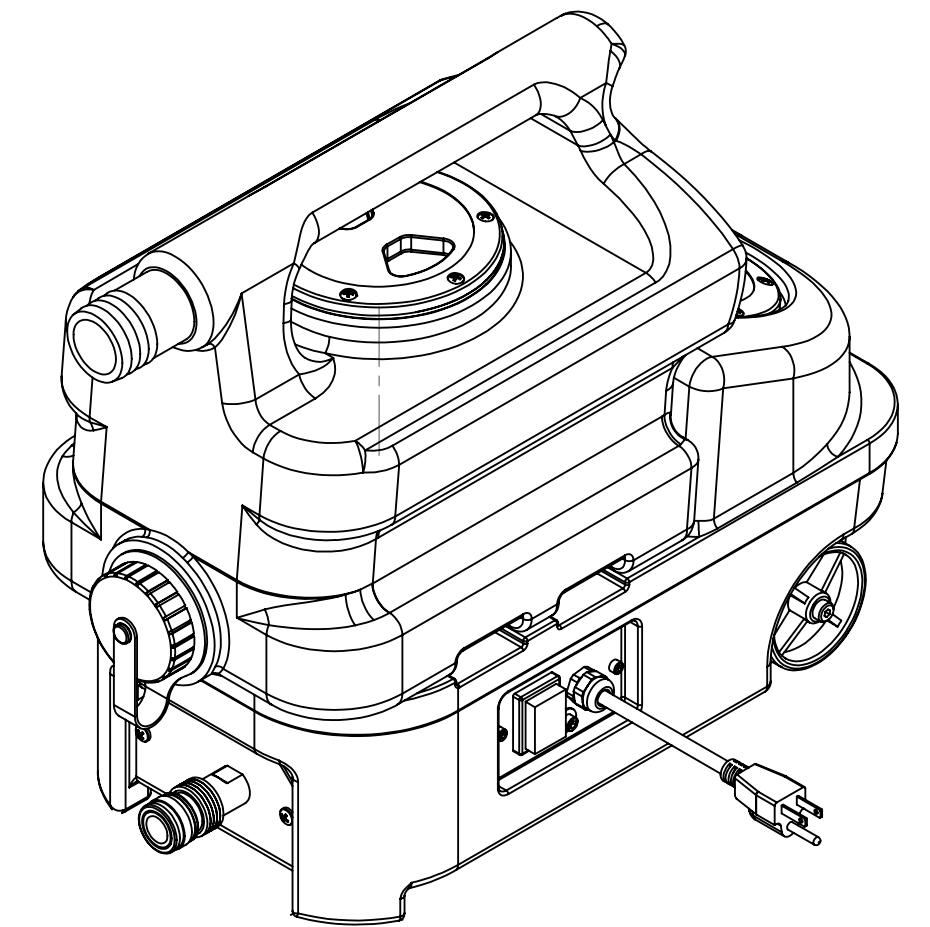
	NAME	DATE	<b>MYTEE PRODUCTS, INC.</b> 858-679-1191	
DRAWN	J. Cash	4/5/11	TITLE:	
CHECKED			<b>Spotter</b>	
COMMENTS:				
<b>PROPRIETARY AND CONFIDENTIAL</b> THE INFORMATION CONTAINED IN THIS DRAWING IS THE SOLE PROPERTY OF MYTEE PRODUCTS, INC. ANY REPRODUCTION IN PART OR AS A WHOLE WITHOUT THE WRITTEN PERMISSION OF MYTEE PRODUCTS, INC. IS PROHIBITED.			SIZE	DWG. NO.
			<b>C</b>	<b>S-300</b>
			SCALE: 1:4	DO NOT SCALE DRAWING
			SHEET 1 OF 3	REV <b>C</b>



	NAME	DATE	<b>MYTEE PRODUCTS, INC.</b> 858-679-1191		
DRAWN	J. Cash	4/5/11	TITLE:		
CHECKED			<b>Spotter</b>		
<small>PROPRIETARY AND CONFIDENTIAL THE INFORMATION CONTAINED IN THIS DRAWING IS THE SOLE PROPERTY OF MYTEE PRODUCTS, INC. ANY REPRODUCTION IN PART OR AS A WHOLE WITHOUT THE WRITTEN PERMISSION OF MYTEE PRODUCTS, INC. IS PROHIBITED.</small>			SIZE	DWG. NO.	REV
			<b>C</b>	<b>S-300</b>	<b>C</b>
			SCALE: 1:4	DO NOT SCALE DRAWING	SHEET 2 OF 3

**REVISIONS**

REV.	DESCRIPTION	DATE	APPROVED
OD	ORIGINAL DRAFT		JFL
A	Update part pricing and washers	6.25.12	MKS
B	ADDED G004-A	4/15/2014	ML
C	G079 REPLACES G147	7/6/2015	ML



	NAME	DATE	<b>MYTEE PRODUCTS, INC.</b> <small>858-679-1191</small>		
DRAWN	J. Cash	4/5/11	TITLE:		
CHECKED			<b>Spotter</b>		
COMMENTS:					
<p><b>PROPRIETARY AND CONFIDENTIAL</b>  <small>THE INFORMATION CONTAINED IN THIS DRAWING IS THE SOLE PROPERTY OF MYTEE PRODUCTS, INC. ANY REPRODUCTION IN PART OR AS A WHOLE WITHOUT THE WRITTEN PERMISSION OF MYTEE PRODUCTS, INC. IS PROHIBITED.</small></p>			SIZE	DWG. NO.	REV
			<b>C</b>	<b>S-300</b>	<b>C</b>
			SCALE: 1:4	<small>DO NOT SCALE DRAWING</small>	SHEET 3 OF 3