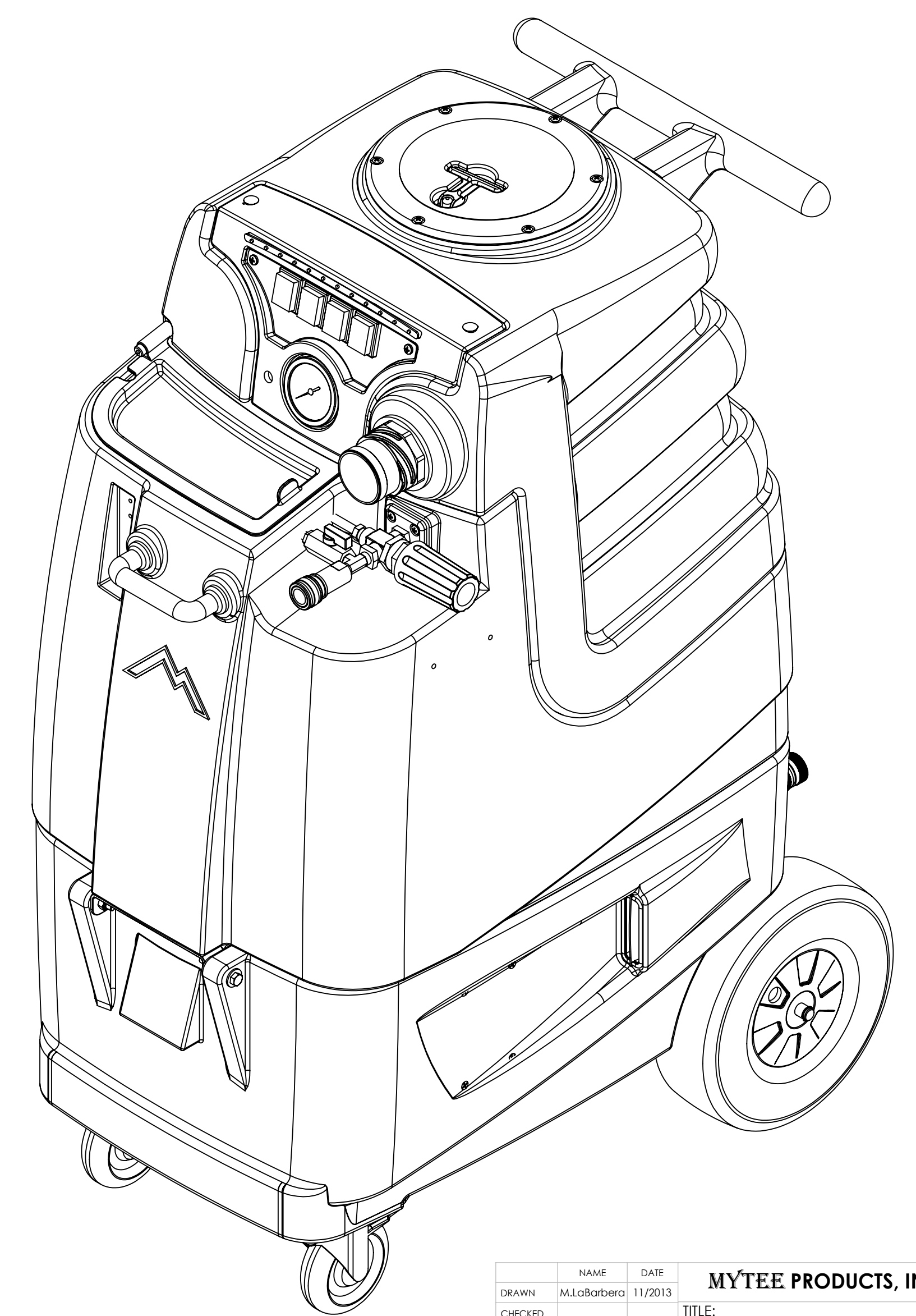


ITEM NO.	PART NO.	DESCRIPTION	QTY.
1	H212	flat washer, 9/16"ID x 1 1/16"OD, AN960-C916	2
2	B199	coupler, 1/2" fpt x 1/4" fpt	3
3	B644	adapter, brass, 1/2" barb x 1/4" mpt	2
4	B173	ferrule, 1/2", brass	6
5	PH615-19	sol hose, 1/2", 3045psi, black	1
6	H273	nut, kep, #10-32 zinc	14
7	H210	washer, 1/4" flat, s/s	27
8	H186	screw, 10-32 x 3/4, phil flat full thread	6
9	C381	pump out, 115v	1
10	PH615-37	sol hose, 1/2", 3045psi, black	1
11	B160	adapter, brass, 1/2" barb x 3/8" fsw, ball end	3
12	H042	c-clip, 12mm, external	2
13	H109	wheel, 10", foam filled	2
14	H232	axle, 19.60" x .50"	1
15	P511	LX series base	1
16	P514	vent, side, LTD	2
17	H668	caster, 4", black hub & gray tread	2
18	H342	bolt, 1/4-20 x 1" hex head, s/s	8
19	H216	nut, lock, 1/4-20, nylon insert, s/s	14
20	H202	bolt, 1/4x20x3/4" hex head	4
21	B246	plug, brass, 3/8" mpt, hex	1
22	PH615-23	sol hose, 1/2", 3045psi, black	1
23	B186	elbow, brass, 90 deg, 3/8"mpt x 3/8" fmpt	4
24	B142	coupling, brass, 1/4" fpt x 1/4" fpt	2
25	B105	bushing, brass, 3/8"mpt x 1/4"	3
26	B260A	qd, brass, 1/4" maqd x fpt	2
27	B259A	qd, brass, 1/4" fqd x fpt	2
28	C313A	pump, CAT, 50-500 PSI, 120/240v	1
29	B652	elbow, brass, 90 deg, 3/8"mpt x 1/4"mpt	1
30	AH184	hose, pulse, 3/8" x 14-1/2" (OAL)	1
31	B107	nipple, brass, 1/4"m, hex	4
32	B113	tee, brass, 1/4" fpt	1
33	B643	adapter, brass, 3/8" fnpt x 1/4" mnpt	1
34	PH615-32	sol hose, 1/2", 3045psi, black	1
35	B123	adapter, brass, 1/2" barb x 1/4" fpt	1
36	G068	bumper, 7/8" x 1/4" head	2
37	H486	latch, front	2
38	H230	screw, 10-32 x 1/2" phil pan head, s/s	18
39	H221	nut, lock, 1/2" steel	2
40	H220	fitting, strain relief, cord	2
41	E550	power cord, pigtail, 30", 12/3, black	2
42	E564	controller, circuit light	1
43	E369	hour meter, panel mount, analog	1
44	H039	plate, auto fill/ pump out	1
45	B205B	QD, 1/2" npt x 3/4" mgh, pump-out	2
46	B204	qd, 3/4" female x female garden hose	2
47	B656A	ball valve, 1/2" m x 1/2" f	1
48	H299	washer, 1 1/16" id x 1-1/2" od x .075, s/s	9
49	B303	nipple, 3" x 1/4" npt x 1/4" npt	3
50	B167	street elbow, 1/2" fpt x 1/2" mpt	1
51	B198	adapter, 3/4" fgh x 1/2" mpt, w/ gasket	1
52	H541A	valve, float, autofill	1
53	B109	adapter, brass, 1/4" barb x 1/4" mpt	2
54	B103	elbow, brass, 90 deg, 1/4"mpt x 1/4" fpt	1
55	B216	nipple, brass, 3/8" x close	2
56	B210	bushing, brass, 1/2"mpt x 3/8" fpt, hex	2
57	B119A	filter, strainer, 1/2"	1
58	H213	washer, 1/4" lock, s/s	5
59	H201	bolt, 1/4-20 x 1/2", hex head, zinc	2
60	H378	bracket, front hinge, sp/fb	1
61	H204	bolt, 1/4-20 x 1 3/4" hex head, s/s	2
62	G036	cap, 2.5" threaded, tethered	1
63	H485	handle, aluminum grip, black	1
64	G052	washer, buna 1-1/8" od x 3/16" id	2
65	H211	washer, 1/4" id x 1" od, flat, s/s	2
66	H768	bolt, 1/4-20 x 3/4" serrated hex flange, zinc	2
67	P509	LX series sol tank	1
68	H650	bolt, 5/16" shoulder x 1-1/2" lg, alloy	1
69	P513	solution tank lid, LTD	1
70	H390A	bracket, "L"	2
71	H770	bolt, 1/4-20 x 1/2" serrated hex flange, zinc	4
72	H124	Cuff-Lynx, 2" mpt x 2" female cuff	1
73	PH634-20	sol hose, 1/4", 300 PSI	1
74	C313C	regulator, 450 psi, silver spring	1
75	H484	plate, mounting, QD	1
76	AH118	sol hose, 1/4" x 39", 1/4 fsw x 1/4 fpt	1
77	B135	tee, brass, 1/4" mpt	1
78	AH120	sol hose, 28" x 1/4", 1/4 fpt	1
79	B102	qd, brass, 1/4" f x 1/4" fpt	1
80	B656	ball valve, 1/4"	1
81	PH634-36	sol hose, 1/4", 300 PSI	1

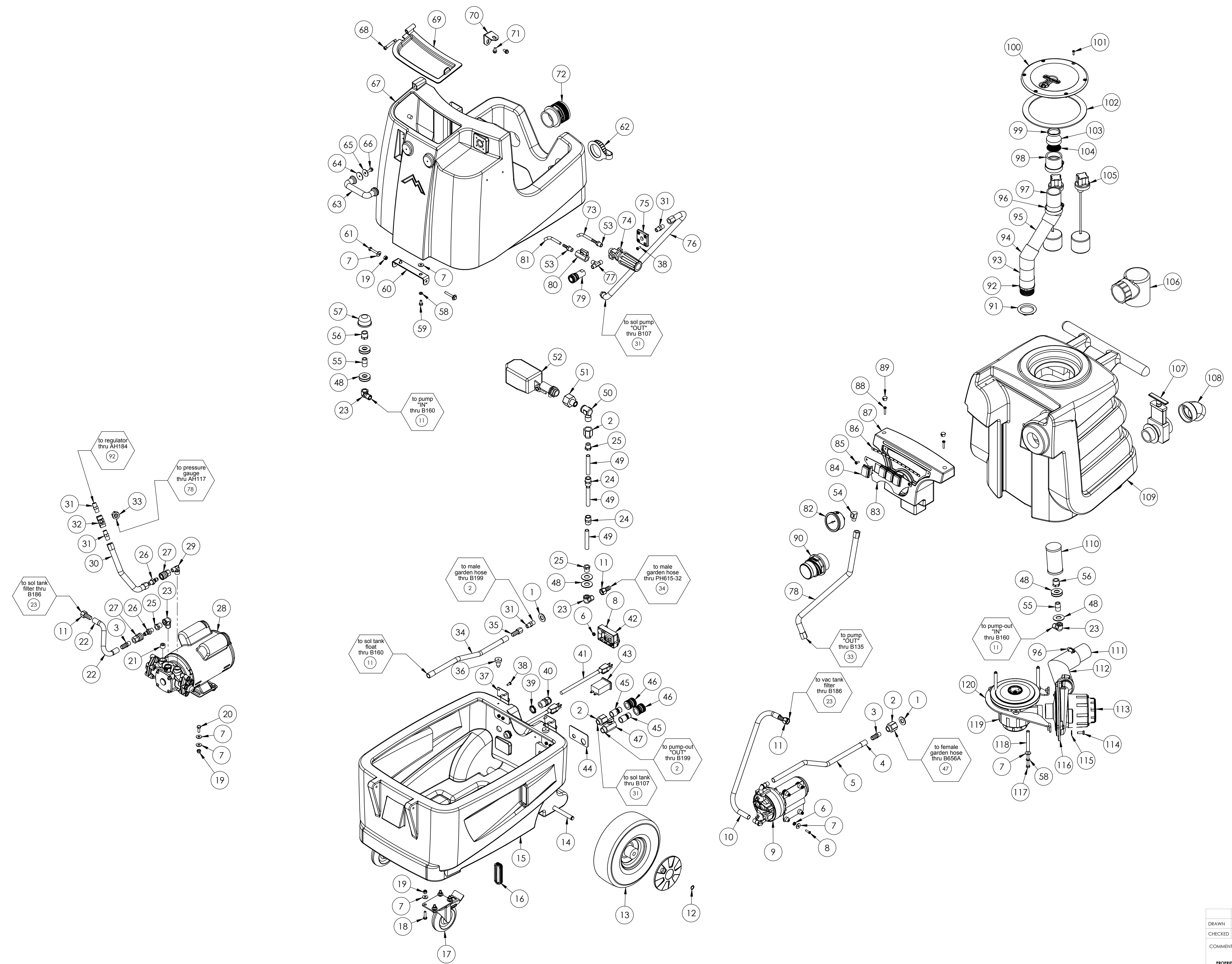
ITEM NO.	PART NO.	DESCRIPTION	QTY.
82	H308D	gauge, pressure, 2000 PSI	1
83	H074	plate, switch, ltd5, ltd12	1
84	E515	switch, rocker, 2 position	4
85	H029	plastite screw, 10 x 1/2"	2
86	E352	LED strip with lead wires	1
87	P512	LX series switchbox	1
88	H031	plastite screw, 10 x 1"	2
89	H434	plug, vent, heyco, 1/2"	2
90	H135	Cuff-Lynx, 2" m cuff x 2" mpt	1
91	H314	nut, lock, 1-1/2", steel	1
92	P520	adapter, pvc, 1-1/2" mpt x 1-1/2" fms	1
93	PH633-4	pipe, pvc, 1-1/2"	1
94	P503	adapter, 1.5" pvc, 45 deg, fslip x fslip	2
95	PH633-6	pipe, pvc, 1.5"	1
96	H217	clamp, hose, 2-1/4 dia	4
97	PH633-03	pipe, pvc, 1-1/2"	1
98	P502	adapter, 1.5" pvc, fslip x fslip	1
99	PH633-1	pipe, pvc, 1-1/2"	1
100	G090	lid, vac tank, clear, 7"	1
101	H304	screw, #8 x 5/8 phil oval, s/s	6
102	G091	gasket, 7", vac lid	1
103	G003	filter, foam, 2" x .50" o.d.	1
104	G097	screen, mesh filter, 1.89" dia	1
105	C388B	switch, mechanical float, for pumpout	2
106	A926	elbow, inlet assembly 2"	1
107	H225	valve, drain, 1-1/2"	1
108	H226	spout, drain, 45 degree	1
109	P510	LX series vac tank	1
110	H333	mesh filter, auto dump, 1/2" npt	1
111	H194	coupler, 2" dia x 2.5" length, s/s	1
112	PH628-7	vac hose, 2", black, wire reinforced	1
113	C348	vac motor, lx, hybrid, w/inlet tube, 173 cfm, 120v	1
114	H202	bolt, 1/4-20 x 3/4" hex head, s/s	5
115	H210	washer, 1/4" flat, s/s	5
116	H469-B	bracket, vac motor, 6.6", round	1
117	H096	bolt 1/4-20 x 4, s/s	3
118	H503	vac support, 3 stage, 3.25", no thrds	3
119	C347	vac motor, lx, hybrid, 173 cfm, 120v	1
120	H469-A	bracket, vac motor, 6.6", u-shape	1

ITEMS NOT SHOWN

PART NO.	DESCRIPTION	QTY	MSRP
E530	power cord, ext 50', 12/3, black	2	\$74.99 ea
E355	harness, electrical	1	\$79.99 ea
G008	piglet filter	1	\$6.29 ea
G076	filter bag, 3.5" metal o-ring, mesh bag	1	\$4.99 ea
H110	Cuff-Lynx, 2: hose x 2" fem swivel	1	\$3.99 ea
H141	Cuff-Lynx, 2: x 1.5" reducer	1	\$3.99 ea
H230	screw, 10-32 x 1/2" phil pan head, s/s	2	\$0.99 ea
H375	hanger, wire formed, hose	1	\$10.99 ea
P568A	cord lock, S-type	2	\$8.99 ea
ADM Cuff Lynx	Cuff-Lynx instruction guide	1	n/a

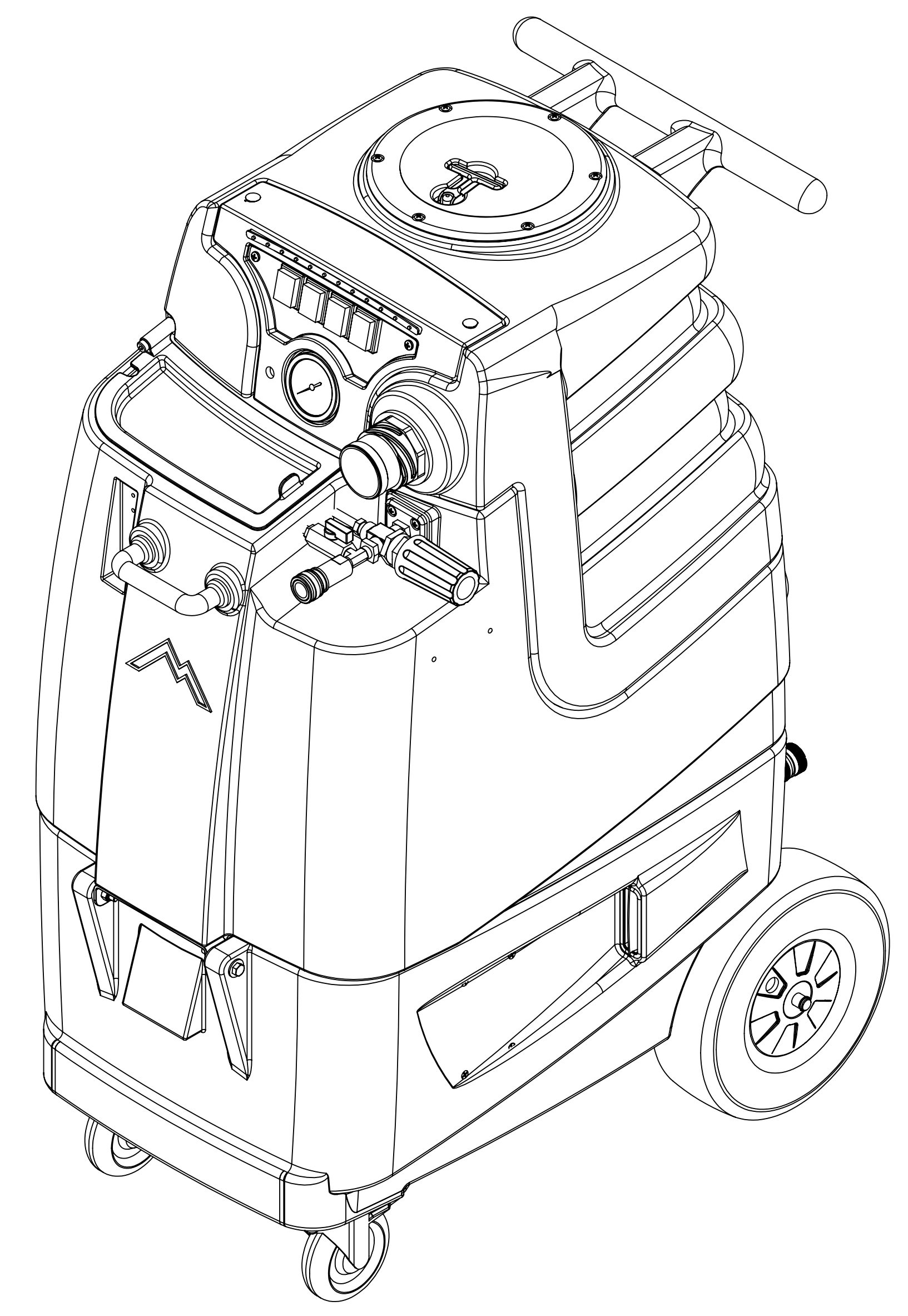


DRAWN	M.LaBarbera	DATE	11/2013	MYTEE PRODUCTS, INC.	
CHECKED				TITLE:	
COMMENTS:				LTD5-LX	
<small>PROPRIETARY AND CONFIDENTIAL THE INFORMATION CONTAINED IN THIS DRAWING IS THE SOLE PROPERTY OF «INSERT COMPANY NAME HERE». ANY REPRODUCTION IN PART OR AS A WHOLE WITHOUT THE WRITTEN PERMISSION OF «INSERT COMPANY NAME HERE» IS PROHIBITED.</small>					
SCALE:	1:12	WEIGHT:		DWG. NO.	REV
				D	OD
				SHEET 1 OF 3	



NAME	DATE	MYTEE PRODUCTS, INC.
M. LaBarbera	11/2013	TITLE:
DRAWN		LTD5-LX
CHECKED		SIZE DWG. NO. LTD5-LX
COMMENTS:		REV OD
<small>PROPRIETARY AND CONFIDENTIAL</small> <small>THE INFORMATION CONTAINED IN THIS DRAWING IS THE SOLE PROPERTY OF MYTEE PRODUCTS, INC. ANY REPRODUCTION IN PART OR AS A WHOLE WITHOUT THE WRITTEN PERMISSION OF MYTEE PRODUCTS, INC. IS PROHIBITED.</small>		SCALE: 1:24 WEIGHT: SHEET 2 OF 3

REVISIONS			
REV.	DESCRIPTION	DATE	APPROVED
OD	ORIGINAL DRAFT	-	JFL



DRAWN	M. LaBarbera	DATE	11/2013	MYTEE PRODUCTS, INC.
CHECKED		TITLE:		
COMMENTS:				SIZE DWG. NO. REV D LTD5-LX OD
PROPRIETARY AND CONFIDENTIAL THE INFORMATION CONTAINED IN THIS DRAWING IS THE SOLE PROPERTY OF <INSERT COMPANY NAME HERE>. ANY REPRODUCTION IN PART OR AS A WHOLE WITHOUT THE WRITTEN PERMISSION OF <INSERT COMPANY NAME HERE> IS PROHIBITED.				
SCALE: 1:12			WEIGHT:	SHEET 3 OF 3