

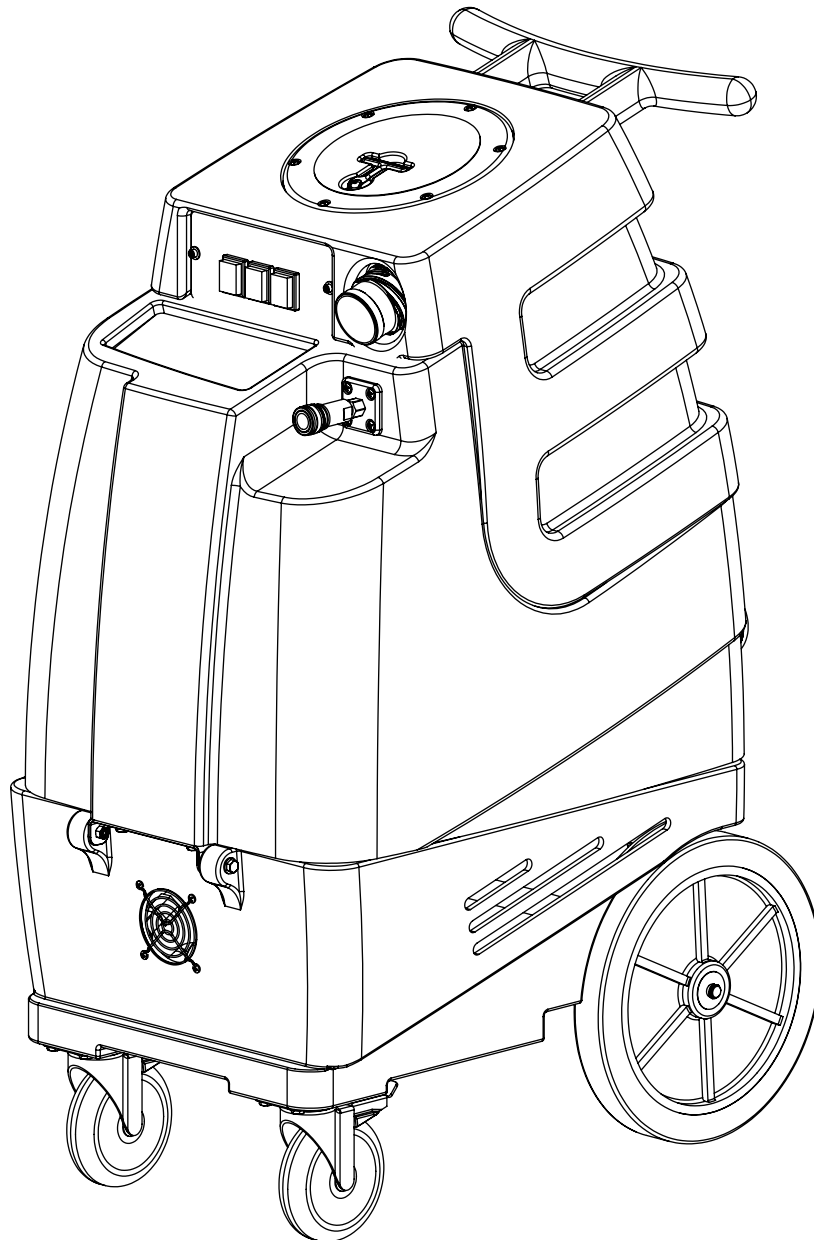
Instructions for 2002CS Contractor's Special™



Please read before use.



Register your product
at [www.mytee.com/
support/register](http://www.mytee.com/support/register)



[General Information p. 2](#)

[Features p. 5](#)

[Operation p. 6](#)

[Parts & Pricing p. 8](#)

[Wiring Diagram p. 10](#)

[Notes p. 11](#)

Model # _____

Serial # _____

Form # ADM-2002CS

12-16

GENERAL INFORMATION

Dear Customer:

Congratulations on the purchase of your new Contractor's Special™. As you are already aware, the scene of the equipment world is becoming more high tech, and we at Mytee Products Inc. strive to keep you on the cutting edge with superior quality and technology.

Keep in mind that the Contractor's Special™ is a machine, so neglect or abuse will cause unnecessary damage and void the warranty. However with simple maintenance the Contractor's Special™ will give quality performance for many years to come.

If warranty questions arise, please consult your user manual or get in touch with your distributor. If you have questions about maintenance, replacing parts or ordering parts, please call an authorized Mytee Products Inc. Service Center. To see an updated list, visit our website at www.mytee.com.

Before you begin cleaning, please read your manual thoroughly.

Sincerely,
Mytee Customer Care Dept.

Grounding Instructions

This machine must be grounded. If it should malfunction or breakdown, grounding provides a path of least resistance for electrical shock. This machine is equipped with a cord having an equipment-grounding conductor and grounding plug. The plug must be plugged into an appropriate outlet that is properly installed in accordance with all local code and ordinances. Do not remove ground pin; if missing, replace plug before use.



DANGER

Improper connection of the equipment-grounding conductor can result in a risk of electric shock. Check with a qualified electrician or service person if you are in doubt as to whether the outlet is properly grounded. Do not modify the plug provided with the machine. If it will not fit the outlet, have a proper outlet installed by a qualified electrician.

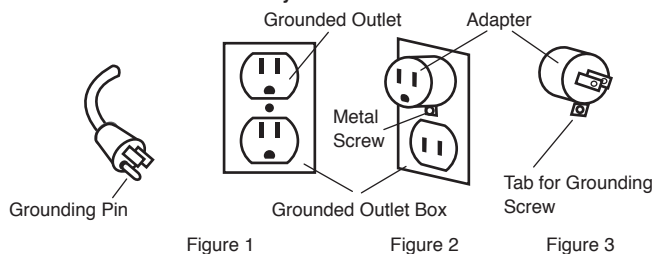
This appliance is for use on a nominal 120-volt circuit, and has a grounding plug that looks like the plug illustrated in Figure 1 below. A temporary adapter illustrated in Figures 2 and 3 may be used—to connect this plug to a 2-pole receptacle as shown in Figure 2 if a properly grounded outlet is not available. The temporary adapter should be used only until a properly grounded outlet (Figure 1) can be installed by a qualified electrician. The green colored rigid ear, tab or like extending from the adapter must be connected to a permanent ground such as a properly grounded outlet box cover. Whenever the adapter is used, it must be held in place by a metal screw. Grounding adapters are not approved for use in Canada.

Replace the plug if the grounding pin is damaged or broken.

The Green (or GreenYellow) wire in the cord is the grounding wire. When replacing a plug, this wire must be attached to the grounding pin only.

DO NOT use extension cords.

Please Note for America use only



Parts and Service

Repairs, when required, should be performed by Mytee service personnel or Mytee authorized Service Center using Mytee original replacement parts and accessories. Call Mytee for repair parts or service. Please specify the Model and Serial Number when discussing your machine.

Name Plate

The Model and Serial Number of your machine are shown on the Nameplate on the back panel of the machine. This information is needed when ordering repair parts for the machine. Use the space provided on the front cover to note the Model and Serial Number of your machine for future reference.

Unpacking the Machine

When the machine is delivered, carefully inspect the shipping carton and the machine for damage. If damage is evident, save the shipping carton so that it can be inspected by the carrier that delivered it. Contact the carrier immediately to file a freight damage claim.

Caution and Warnings

Symbols

Mytee uses the symbols below to signal potentially dangerous conditions. Always read this information carefully and take the necessary steps to protect personnel and property.



DANGER

Is used to warn of immediate hazards that will cause severe personal injury or death.



WARNING

Is used to call attention to a situation that could cause severe personal injury.



CAUTION

Is used to call attention to a situation that could cause minor personal injury or damage to the machine or other property. When using an electrical appliance, basic precautions should always be followed, including the following: Read all instructions before using this machine. This product is intended for commercial use only.



WARNING

To reduce the risk of fire, electrical shock, or injury:

1. Read all instructions before using equipment.
2. Use only as described in this manual. Use only manufacturer's recommended attachments.
3. Always unplug power cord from electrical outlet before attempting any adjustments or repairs.
4. Do not unplug by pulling on cord. To unplug, grasp the plug, not the cord.
5. Do not pull or carry by cord. Do not close a door on cord or pull cord around sharp edges or corners.
6. Do not run appliance over cord. Keep cord away from heated surfaces.
7. Do not use with damaged cord or plug. If cord is damaged, repair immediately.
8. Do not use outdoors or on wet surfaces and or standing water.
9. Always unplug or disconnect the appliance from power supply when not in use.
10. Do not allow to be used as a toy. Close attention is necessary when used by or near children.
11. Do not use in areas where flammable or combustible material may be present.
12. Do not leave the unit exposed to harsh weather elements. Temperatures below freezing may damage components and void warranty.
13. Use only the appropriate handles to move and lift unit. Do not use any other parts of this machine for this purpose.
14. Keep hair, loose clothing, fingers, and all parts of the body away from all openings and moving parts.
15. Use extra care when cleaning on stairs.
16. To reduce the risk of fire or electric shock, do not use this machine with a solid-state speed control device.
17. The voltage and frequency indicated on the name plate must correspond to the wall receptacle supply voltage.
18. When cleaning and servicing the machine, local or national regulations may apply to the safe disposal of liquids which may contain: chemicals, grease, oil, acid, alkalines, or other dangerous liquids.
19. Do not leave operating unattended.

Filling the Solution Tank

1. Fill the solution tank with the approved cleaning solution.
2. Do not fill up the solution tank completely: 1" should be left free at the top.
3. Typically, the solution should be a mixture of water and a cleaning chemical appropriate for the type of job.
4. Always follow the dilution instructions on the chemical container label.
5. The temperature of the cleaning solution must not exceed 70°C/160°F.



CAUTION

Use only non-flammable liquid in this machine.

GENERAL INFORMATION

Setup

1. Open lid of solution tank. Fill solution with water or approved cleaning agent. For best results, fill with warm water (140°).



WARNING

Flammable materials can cause an explosion or fire. Do not use flammable solutions or materials in tank(s).

FOR SAFETY: When using machine, follow mixing and handling instructions on chemical containers.

ATTENTION: If using powdered cleaning chemicals, mix prior to adding.

2. Attach solution hose (located front of machine). NOTE: Make sure the quick disconnect snap together firmly. As you do this, always inspect hoses for cracks or fraying. Do not use if hoses are damaged.
3. Attach other end of solution hose to wand.
4. Attach vacuum hose to recovery tank.
5. Plug machine's cord into a grounded wall outlet. FOR SAFETY: Do not operate machine unless cord is properly grounded. FOR SAFETY: Do not operate machine with the use of an extension cord.
6. Turn on pump. Key tool until you have a steady flow.
7. Release tool trigger. Turn on heater.
8. Wait 8–10 minutes for unit to pre-heat.
9. Re-key upholstery tool until hot water begins flowing.
10. Once hot water is flowing, release trigger and pre-heat an additional 4–5 minutes.
11. Turn on vacuum motor.
12. Begin cleaning. Make two dry passes to every wet pass.
13. For floor cleaning, unplug tool and attach floor wand.
14. Work away from cords to avoid damage.
15. Use a defoamer in your recovery tank.
16. To clean heavily soiled areas, repeat cleaning from different directions.
17. When float shuts off vacuum, empty tanks.
18. When work is complete, unplug cords and hoses.
19. Wrap and clean hoses. Clean all tanks.

Pre-Operation

1. Vacuum carpet and upholstery and remove other debris.
2. Perform machine setup procedures.
3. Inspect power cord for damage.

Operation

1. Turn pump switch on.
2. Pull up on tool lever to release air in the line. Hold lever until a steady flow of water comes out of the wand.
3. Once pump is primed and there is pressure in the solution line, turn on heater switch (if model is equipped with heater) and wait a few minutes for water to heat up.
4. Once water is heated, turn on vacuum and begin cleaning.

Note: When cleaning upholstery, always check manufacturer's cleaning instructions.



CAUTION

1. Work away from outlet and power cord to prevent cord damage.
2. Use a recommended foam control solution in the recovery tank to prevent vacuum motor damage. Periodically check for excessive foam buildup in solution tank, and recovery tank.
3. To clean heavily soiled areas, repeat cleaning path from different direction.
4. When ball float shuts off vacuum, it is time to empty the dirty water from the recovery tank, and refill solution tank.
5. After cleaning, relieve water pressure from tool before disconnecting hose. Squeeze trigger for five seconds after turning main power switch off.

After Use

1. Unplug.
2. Empty solution tank and rinse it with clean water.
3. Inspect hoses and replace if damaged.
4. Inspect solution filter. Clean or replace if damaged.
5. Store the machine in a clean, dry place.
6. Open recovery tank cover to promote air circulation.

Maintenance Schedule

Maintenance item	Daily	Once a week
Clean and inspect Tanks	x	
Clean and inspect Hoses	x	
Check filters	x	
Check power supply cable	x	
Clean machine with all purpose cleaner and cloth	x	
Check spray nozzles		x
Flush solution system with Mytee system maintainer		x
Remove and clean float shut-off screen from tank		x
Inspect vacuum hoses for holes and loose cuffs		x

Troubleshooting

There is no power.

1. Plug machine in proper outlet.
2. Check circuit breaker; reset circuit breaker, other items should not run on the same circuit as machine. Outlet must be a 20-amp circuit.

Pump does not work properly.

1. Snap quick disconnects firmly together.
2. Check solution tank; may be empty.
3. Jets clogged, remove jet and flush clean.
4. Filters clogged, remove filters and rinse clean with water.
5. Heater is blocked; flush out with Mytee's system maintainer.
6. If brass check valve is stuck replace valve.
7. Check pump wire. May need to reconnect wire.
8. Switch plate switch may need to be replaced.
9. If pump motor brushes are worn, replace pump.

Heater does not work properly.

1. If sensor mounted on the heater has popped, reset sensor by pushing in button.
2. Heating element may need to be replaced.

Vacuum motor does not work properly.

1. Check that hose is tightly connected.
2. Close drain hose valve completely.
3. Secure the vacuum tank tightly.
4. If ball float is shut off, empty vacuum tank of all wastewater.
5. Make sure ball float is firmly installed on the elbow.
6. If water is coming out of vacuum motor, use a low foaming detergent.
7. Clean upholstery tool or floor wand jets.

Accessories (optional)

3601 System Maintainer
 8400DX Mytee Dry™ upholstery tool
 8390-EZ Wand
 8700 Crevice Tool

Machine Specifications

Solution Tank	10 gallons
Recovery Tank	9 gallons
Vacuum	Single 3-stage low amp
CFM	100
Water Lift	130"
Pump PSI	120
Pump GPM	1.3
Heater	1,200W - 210° max.
Power Consumption	20 amps @ 115V 60Hz
Machine Weight	120 lbs.
Machine Dimensions	28" x 18.5" x 39"
Power Cord	25' 12/3

230V Configuration Information

Model Number	2002CS-230
Power Consumption	10 amps @ 230V 60Hz/50Hz

GENERAL INFORMATION

FAQs

Q: What comes standard with the Contractor's Special™?

A: The Contractor's Special™ comes with 15' 1-1/2" Vacuum/Solution Hose and a 12" wand and Cuff-Lynx™ reducer.

Q: Where do I plug the machine in?

A: The Contractor's Special™ requires a 20A grounded circuit. Please note: GFI outlets may trip before the breaker setting.

Q: Are the pumps re-buildable for the Contractor's Special™?

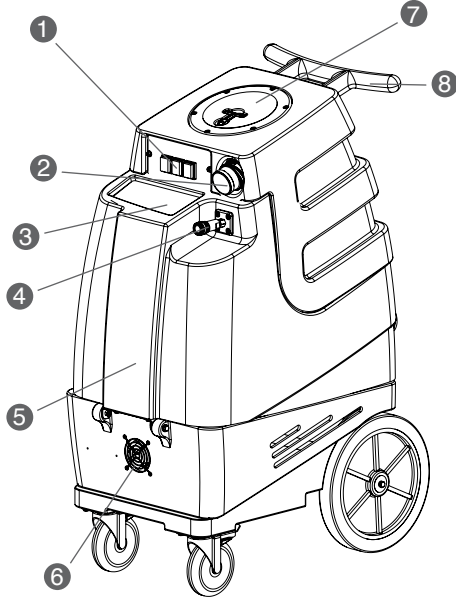
A: Yes, both the seals and the pistons have repair kits available. Please see the pump manual that shipped with your machine for the maintenance schedule.

Q: Is there anything I can do to increase the expected life of my machine?

A: Running the vacuum motors with the tank empty and lid off will allow excess moisture in the vacs to dry off. You should also run a System Maintainer through the system to keep the hoses, pump, and heater clean and free of debris.

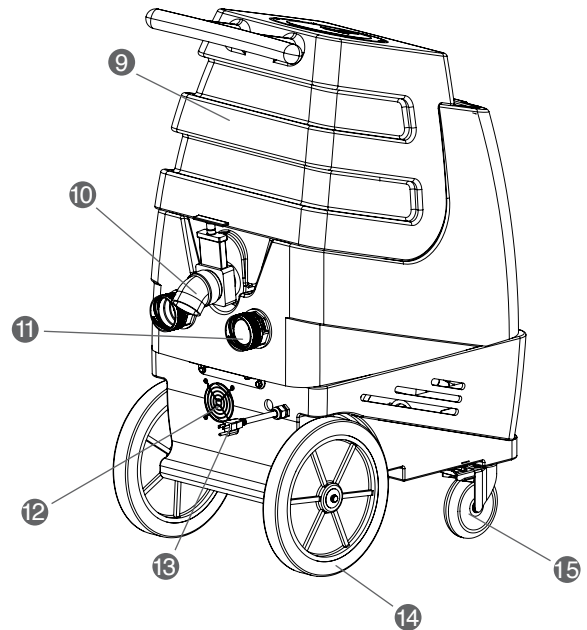
CONTRACTOR'S SPECIAL™ 2002CS FEATURES

2002CS FRONT



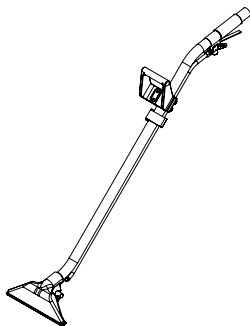
- | | |
|------------------------|----------------------------|
| 1. Waist high controls | 5. Solution tank |
| 2. 2" Male Cuff-Lynx™ | 6. Front vent |
| 3. Solution lid | 7. Clear recovery tank lid |
| 4. Female QD | 8. Push handle |

2002CS BACK



- | | |
|-------------------------------|----------------------------|
| 9. Recovery tank | 13. 25' lighted power cord |
| 10. Recovery tank drain valve | 14. 12" rear wheels |
| 11. Vacuum exhaust | 15. 5" locking casters |
| 12. Rear vent | |

2002CS ACCESSORIES



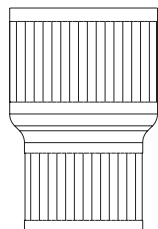
8300-EZ - 12" Wand



8501-15' 1-1/2" Vac/Sol Hose

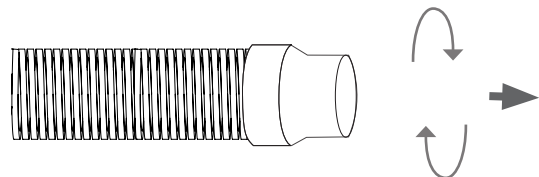


H226 - Drain Elbow

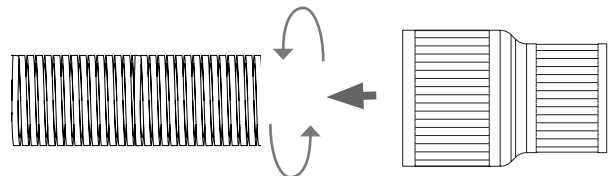


H141 - 1 1/2" Cuff-Lynx™

REPLACING HOSE CUFFS WITH CUFF-LYNX™



Twist clock-wise to remove standard cuffs.

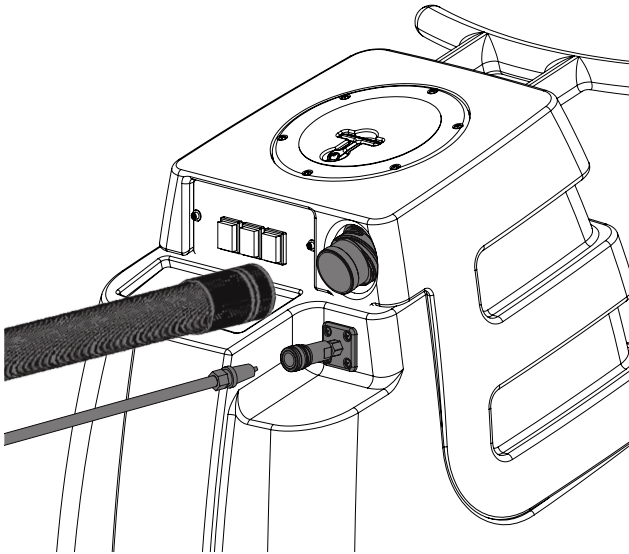


Twist counter clock-wise to attach Cuff-Lynx™ to vac. hose.

Once you receive your Contractor's Special™, you will need to replace the cuffs on your vacuum hose. To remove old cuffs, twist clock-wise. To attach reducer Cuff-Lynx™ to vacuum hose twist counter clock-wise.

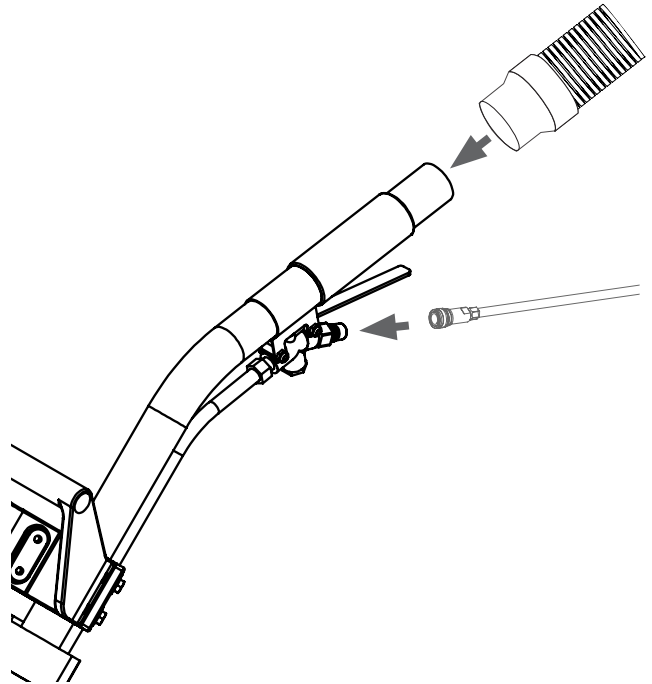
CONTRACTOR'S SPECIAL™ 2002CS OPERATION

2002CS ATTACH HOSES



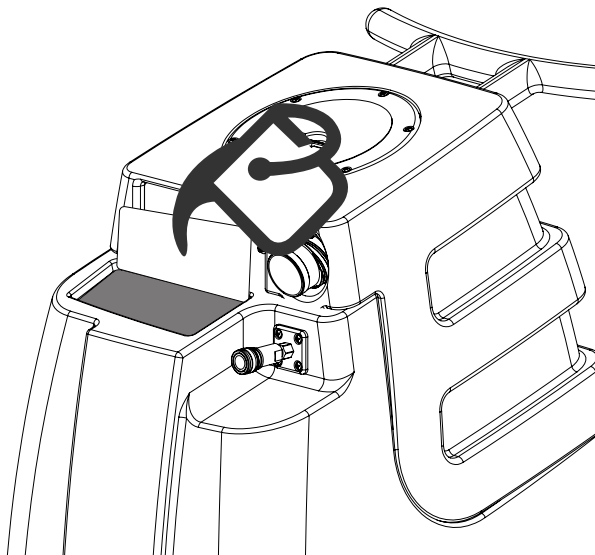
Firmly attach the hose and quick disconnect. Make sure the quick disconnects snap together firmly. Once attached to the unit, connect the quick disconnect to the upholstery tool. Always inspect hoses for cracks or fraying.

ATTACH VAC & SOLUTION HOSE TO WAND



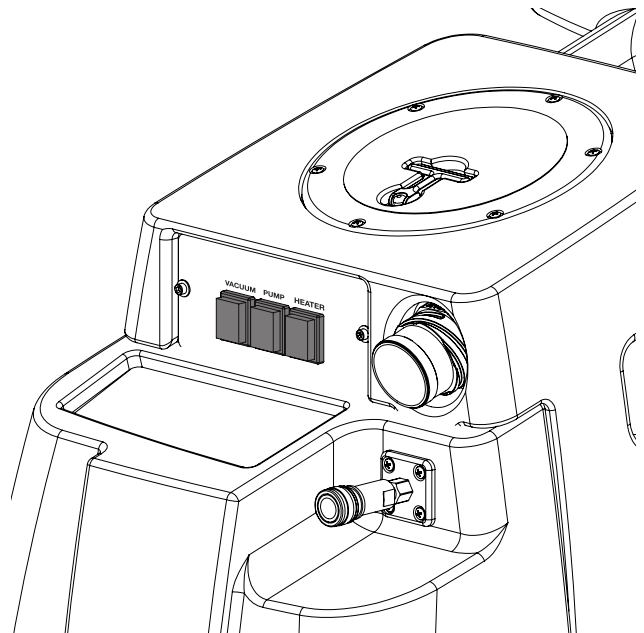
Attach the hose cuff to the end of the wand tube. Attach the female quick disconnect to the male quick disconnect located near the wand trigger.

2002CS FILL SOLUTION TANK



Lift the lid to fill. For best results, fill with warm water (140° F).

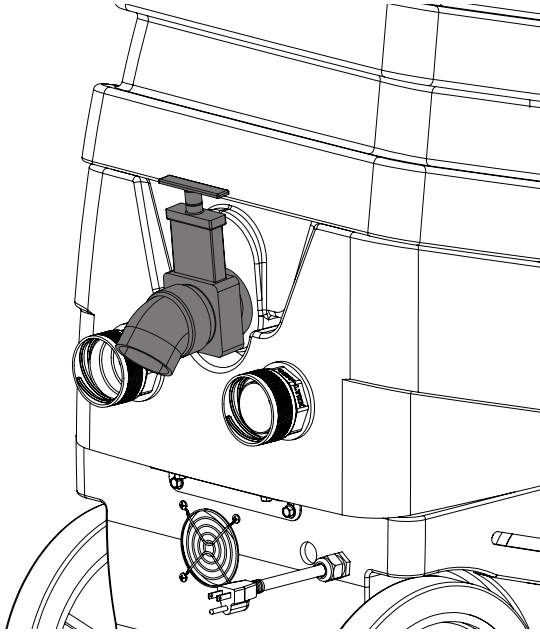
2002CS VACUUM, PUMP & HEATER



To start the Contractor's Special™, switch on the pump first. Pull the trigger on your cleaning tool until water sprays out, then switch on the heater. Allow the heating element to heat up, then switch on the vacuum and begin cleaning.

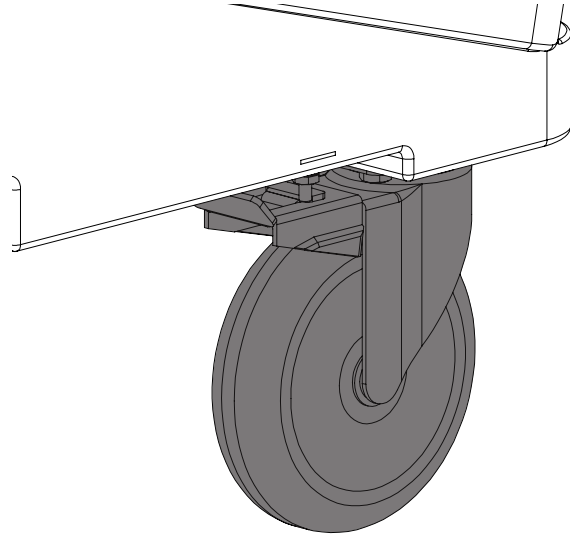
CONTRACTOR'S SPECIAL™ 2002CS OPERATION

2002CS RECOVERY TANK DRAIN



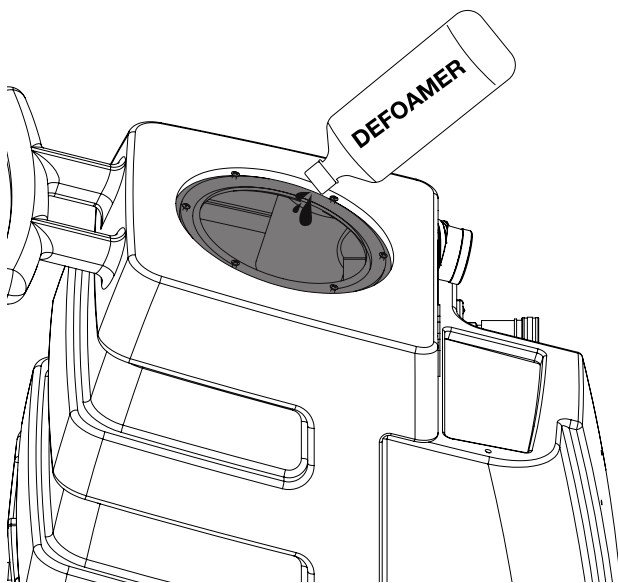
When the float shuts off vacuum, empty tank. Pull lever located at the back of the machine to release water.

2002CS LOCKING CASTERS



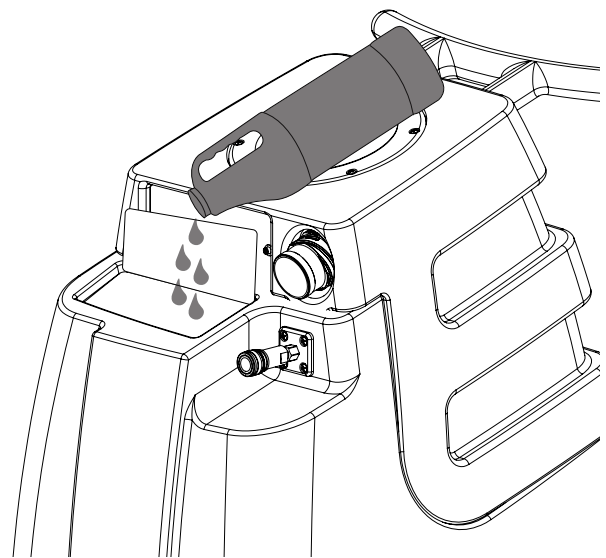
Locking casters help keep the machine remain stationary during use.

2002CS ADDING DEFOAMER



Add a defoamer in the recovery tank to reduce foam, prolonging the life of the Contractor's Special™ vacuum motor.

2002CS SYSTEM MAINTAINER



Weekly flushing of the solution system with Mytee® System Maintainer helps keep lines clean and prevents chemical build-up, improving pump life, performance, and pressure.

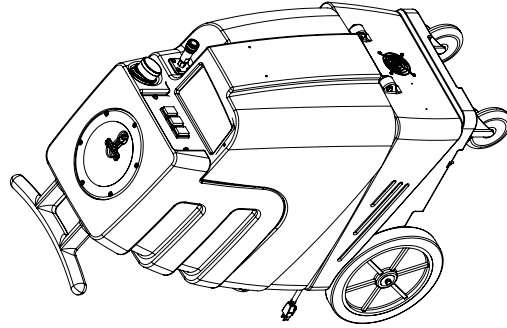
CONTRACTOR'S SPECIAL™ 2002CS PARTS & PRICING

ITEM NO.	PART NO.	DESCRIPTION	QTY.	MSRP
63	H225	valve, drain, 1-1/2"	1	\$20.99 ea
64	P733	vac tank	1	\$190.99 ea
65	A926	vac inlet assembly 2"	1	\$15.99 ea
66	PH633-3	elbow, pvc, 1-1/2"	1	\$4.99/ft
67	P503	adapter, 1.5" pvc, 45 deg, flsp x flsp	2	\$3.29 ea
68	PH633-4	pipe, pvc, 1-1/2"	1	\$4.99/ft
69	PH633-06	pipe, pvc, 1-1/2"	1	\$4.99 ft
70	H343	screw, 10 x 5/8" hex head, zinc	3	\$0.99 ea
71	P755	elbow, U. 180, 1-1/2", float	1	\$8.99 ea
72	G091	gasket, 7", vac lid	1	\$11.99 ea
73	G090	lid, vac tank, clear, 7"	1	\$36.99 ea
74	H490	float, 2 1/2" 1.5" ball style	1	\$19.99 ea
75	P520	adapter, pvc, 1-1/2" mpt x 1-1/2" fms	1	\$2.99 ea
76	H314	nut, lock, 1-1/2", steel	1	\$1.99 ea
77	H135	Cuff-Lynx, 2" m cuff x 2" mpt	3	\$3.99 ea
78	E515	switch, rocker, 2 position	3	\$13.99 ea
79	H389	screw, 10-32 x 1/2" SHCS, alloy	2	\$0.99 ea
80	H612	washer, #8, flat regular	2	\$0.99 ea
81	H338	plate, switch, sp. 3 hole	1	\$6.99 ea
82	G004	gasket, vacuum motor	1	\$8.99 ea
83	H503	vac support, 3 stage, 3.25", no threds	3	\$3.99 ea
84	H390A	bracket, "L"	2	\$6.99 ea
85	H096	bolt, hex, 1/4-20 x 4", zinc finish	3	\$0.99 ea
86	C302LA	vac motor, 3 stage, low amp	1	\$139.99 ea

ITEMS NOT SHOWN

PART NO.	DESCRIPTION	QTY.	MSRP
ADMCS	manual grandprik	1	N/A
8300-EZ	wand, EZ glider 12", dual jet, "S" bend	1	\$199.99 ea
H141	Cuff-Lynx, 2" to 1.5" reducer	1	\$3.99 ea
8500	hose assem, vac\sol, 15' x 1.5"	1	\$18.99 ea
H375	hose hanger	1	\$10.99 ea
H230	screw, 10-32 x 1/2" phil pan head, s/s	2	\$0.99 ea
A999	harness, electrical, 2002CS	1	\$73.99 ea
G008	black piglet filters, pack of 25	1	\$9.99 ea
P590	cuffies, 1/4" qd, standard pack of 2	1	\$2.99 ea

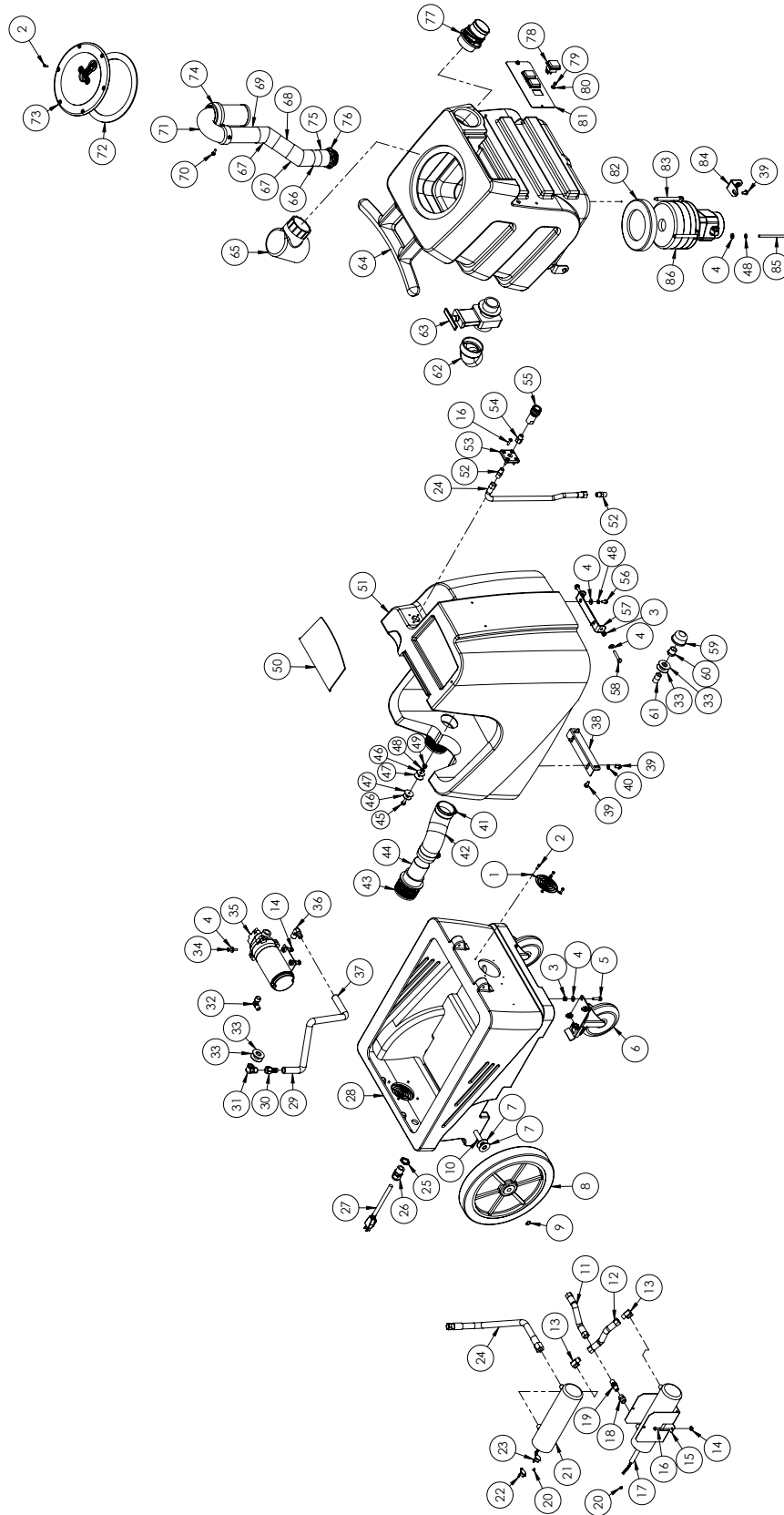
ITEM NO.	PART NO.	DESCRIPTION	QTY.	MSRP
1	H296	guard, cooling fan, wire	2	\$2.99 ea
2	H304	screw, #8 x 5/8 phil oval, s/s	14	\$0.99 ea
3	H216	nut, lock, 1/4-20 nylon insert, s/s	10	\$0.99 ea
4	H210	washer, 1/4" flat, s/s	19	\$0.99 ea
5	H342	bolt, 1/4-20 x 1" hex head, s/s	8	\$0.99 ea
6	H666	caster, 5", black hub & gray tread	2	\$23.19 ea
7	H254	washer, axle, cut 1/2" id	4	\$0.99 ea
8	H421	wheel, 12"	2	\$41.99 ea
9	H042	c-clip, 12mm, external	2	\$0.99 ea
10	H371	axle, 1803" x .50" dia	1	\$9.99 ea
11	AH184	sol hose, pulse, 3/8" x 1/4" fsw x 1/4" fpt	1	\$27.99 ea
12	AH156	hose, 3/8" (OAL), 1 x f, 5400 gray	1	\$23.99 ea
13	B103	elbow, brass, 90 deg, 1/4" mpt x 1/4" fpt	2	\$4.49 ea
14	H273	nut, kep, #10-32 zinc	6	\$0.99 ea
15	H528	bracket, heater mounting, dual	1	\$29.99 ea
16	H256	screw, 10-32 x 3/4" phil pan head, zinc	6	\$0.99 ea
17	E571	heating rod, 600W, 115V	2	\$49.99 ea
18	B142A	coupling, brass, 1/4" fpt x 1/4" fpt	1	\$4.49 ea
19	B108	valve, brass, 1/4" check	1	\$13.99 ea
20	H274	screw, 6 x 3/16, phil pan head, self-tapping	10	\$0.99 ea
21	H903A	heater, aluminum cast, single	2	\$78.99 ea
22	E573	Thermostat, 200°, Auto, 1/4"	2	\$16.49 ea
23	E574	Thermostat, 310°F ± 10°F, Manual, 1/4"	2	\$17.99 ea
24	AH120	sol hose, 28" x 1/4", 1/4 fpt	2	\$35.49 ea
25	H221	nut, lock, 1/2" steel	1	\$1.99 ea
26	H220	filling, strain relief, cord	1	\$3.19 ea
27	E531	power cord, end, 25', 12/3 black	1	\$52.99 ea
28	P731	base	1	\$141.99 ea
29	PH615-34	sol hose, 1/2" kuri 100psi	1	\$8.99/ft
30	B160	adapter, brass, 1/2" barb x 3/8" fsw, ball end	1	\$3.49 ea
31	B186	elbow, brass, 90 deg, 3/8" mpt x 3/8" mpt	1	\$8.99 ea
32	B652	elbow, brass, 90 deg, 3/8" mpt x 1/4" mpt	1	\$8.49 ea
33	H299	washer, 1 1/16" id x 1-1/2" od x .075, s/s	4	\$0.99 ea
34	H222	screw, 10-32 x 1-1/4" phil pan head, s/s	4	\$0.99 ea
35	C305	pump, 120 psi, 115V	1	\$151.99 ea
36	B172	elbow, brass, 90 deg, 1/2" barb x 3/8" mpt	1	\$9.49 ea
37	B173	ferule, 1/2", brass	2	\$0.99 ea
38	H912	bracket, rear, fb/spy	1	\$9.99 ea
39	H170	bolt, 1/4-20 x 1/2" serrated hex flange, zinc	8	\$0.99 ea
40	H307	washer, star, 1/4" steel zinc	2	\$0.99 ea
41	H217	clamp, hose, 2-1/4 dia	2	\$1.49 ea
42	PH628-24	vac hose, 2", wire reinforced	1	\$8.99/ft
43	H124	Cuff-Lynx, 2" mpt x 2" female cuff	2	\$3.99 ea
44	H194	coupler, 2" dia x 2.5" length, s/s	1	\$10.00 ea
45	H203	bolt, 1/4-20 x 1-1/4"	2	\$0.99 ea
46	H211	washer, 1/4" id x 1" od, flat, s/s	4	\$0.99 ea
47	G052	washer, buna 1-1/8" od x 3/16" id	4	\$1.99 ea
48	H213	washer, 1/4" lock, s/s	7	\$0.99 ea
49	H215	nut, hex, 1/4-20 s/s	2	\$0.99 ea
50	G018	cover, sol tank (sp)	1	\$12.99 ea
51	P732	sol tank	1	\$141.99 ea
52	B107	nipple, brass, 1/4" m, hex	2	\$3.19 ea
53	H484	plate, mounting, QD	1	\$4.99 ea
54	B111	adapter, brass, extender, 1/4" mpt x 1/4" fpt, hex	1	\$3.49 ea
55	B102	qd, brass, 1/4" f x 1/4" fpt	1	\$17.99 ea
56	H201	bolt, 1/4-20 x 1/2" hex head, zinc	2	\$0.99 ea
57	H378	bracket, front hinge, sp/rb	1	\$8.99 ea
58	H316	bolt, 1/4x1-1/2", hex head zinc	2	\$0.99 ea
59	B119A	filter, strainer, 1/2"	1	\$6.49 ea
60	B210	bushing, brass, 1/2" mpt x 3/8" fpt, hex	1	\$2.49 ea
61	B216	nipple, brass, 3/8" x close	1	\$1.99 ea
62	H226	spout, drain, 45 degree	1	\$3.19 ea



NAME: MYTEE PRODUCTS, INC.
 DATE: 2/2016
 DRAWN: M.L.B./B.D.W.
 CHECKED: []
 COMMENTS: []
 TITLE: Contractor's Special
 SIZE: DWG: 11.0
 C 2002CS
 REV: A
 SCALE: 1:48
 SHEET 1 OF 3

PROPRIETARY AND CONFIDENTIAL
 THE INFORMATION CONTAINED HEREIN IS THE PROPERTY OF MYTEE PRODUCTS, INC. AND IS TO BE USED ONLY FOR THE PURPOSES SPECIFIED HEREIN.
 MYTEE PRODUCTS, INC. ©

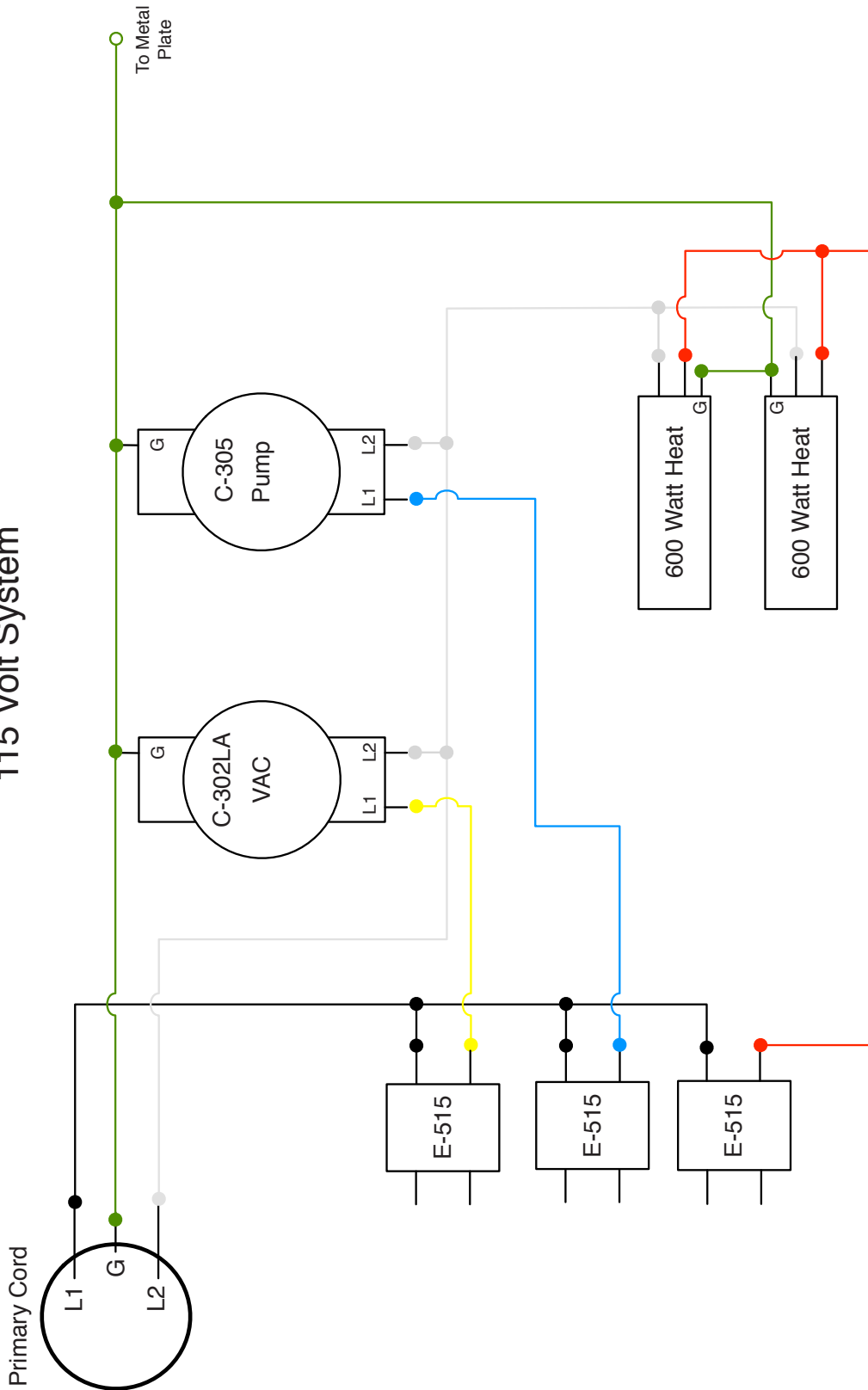
CONTRACTOR'S SPECIAL™ 2002CS PARTS & PRICING



NAME	DATE	MYTEE PRODUCTS, INC.
DRAWN	2/2014	2002CS/1111
CHECKED		
COMMENTS		
<p>PROPRIETARY AND CONFIDENTIAL</p> <p>THE INFORMATION CONTAINED IN THIS DRAWING IS THE PROPERTY OF MYTEE PRODUCTS, INC. AND IS TO BE USED FOR THE PROJECT AND SITE SPECIFICALLY IDENTIFIED HEREIN. IT IS TO BE KEPT CONFIDENTIAL AND NOT TO BE REPRODUCED OR TRANSMITTED IN ANY FORM OR BY ANY MEANS, WITHOUT THE WRITTEN PERMISSION OF MYTEE PRODUCTS, INC. © 2014</p>		
SIZE	DWG. NO.	REV.
Contractor's Special	C 2002CS	A
SCALE: 1:48		SHEET 2 OF 3

CONTRACTOR'S SPECIAL™ 2002CS WIRING DIAGRAM

2002CS 115 Volt System



1/16/2014

NOTES



Mytee Products Inc.
13655 Stowe Dr.
Poway, CA 92064
www.mytee.com
FX 858.679.7814

© 2016 Mytee Products Inc.
Printed in the U.S.A.