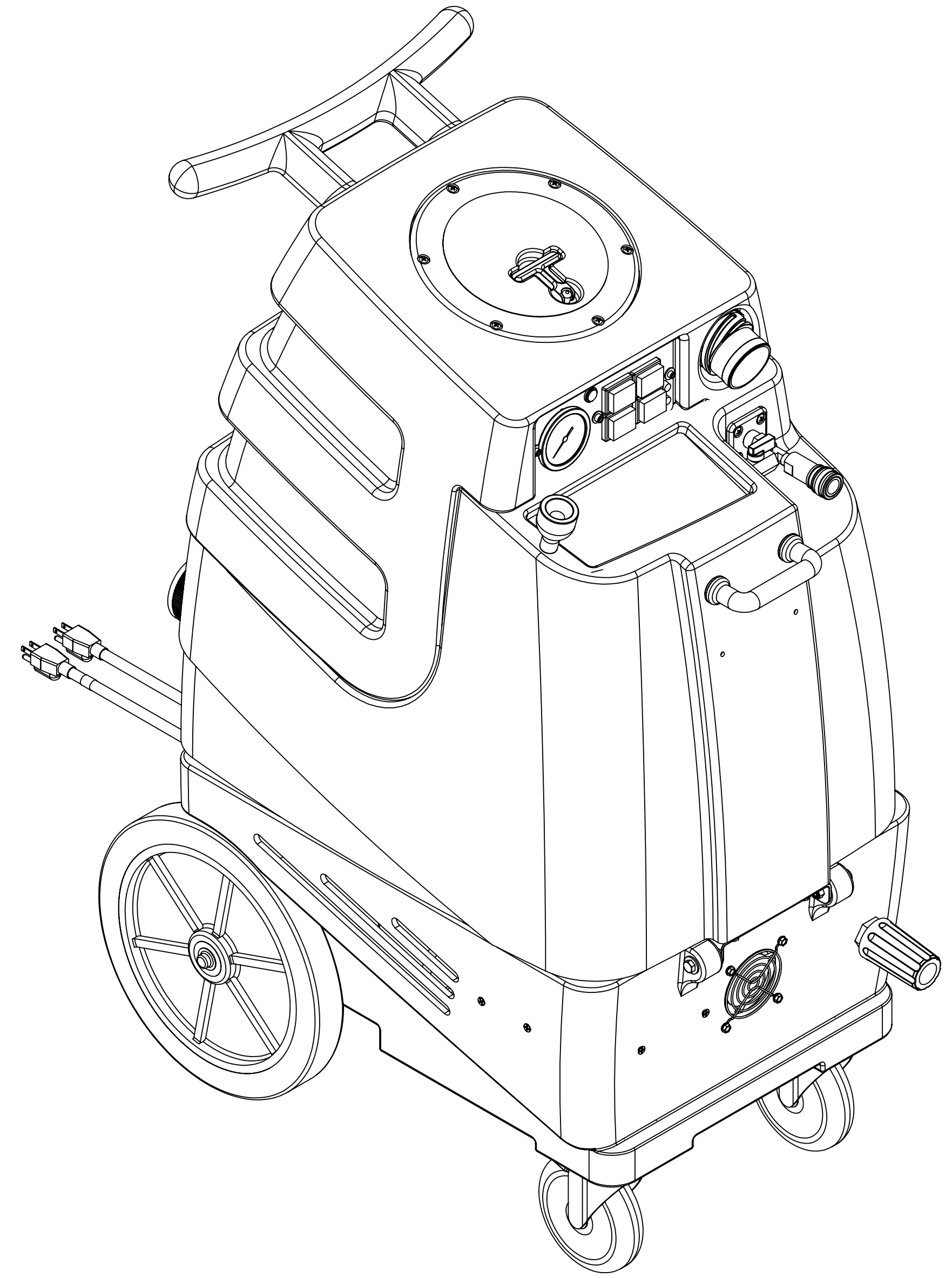


| ITEM NO. | PART NO. | DESCRIPTION | QTY. | MSRP |
|----------|----------|--|------|-------------|
| 1 | C317 | fan, cooling, 115V | 1 | \$21.49 ea |
| 2 | H296 | guard, cooling fan, wire | 3 | \$2.99 ea |
| 3 | H343 | screw, #10 x 5/8" hex head zinc | 12 | \$0.99 ea |
| 4 | H186 | screw, 10-32 x 3/4, phil flat full thread | 4 | \$0.99 ea |
| 5 | E370 | controller, water level, dual pump or vac | 1 | \$94.99 ea |
| 6 | H273 | nut, kep, #10-32 zinc | 8 | \$0.99 ea |
| 7 | H033 | plastite screw, 1/4 x 3/4" | 8 | \$2.99 ea |
| 8 | H666 | caster, 5", Black hub & gray tread | 2 | \$23.19 ea |
| 9 | E564 | controller, circuit light | 1 | \$62.99 ea |
| 10 | H254 | washer, axle, cut 1/2" id | 6 | \$0.99 ea |
| 11 | H371 | axle, 18.25" x .50" dia | 1 | \$9.99 ea |
| 12 | H251 | wheel, 12" | 2 | \$41.99 ea |
| 13 | H219 | cap, axle, 1/2" | 2 | \$0.99 ea |
| 14 | H221 | nut, lock, 1/2" steel | 2 | \$1.99 ea |
| 15 | H220 | fitting, strain relief, cord | 2 | \$3.19 ea |
| 16 | E550 | power cord, pigtail, 30', 12/3, black | 2 | \$11.49 ea |
| 17 | P731 | base, speedster | 1 | \$141.99 ea |
| 18 | H256 | screw, 10-32 x 3/4" phil pan head, zinc | 6 | \$0.99 ea |
| 19 | H528 | bracket, heater mounting, dual | 1 | \$29.99 ea |
| 20 | H903A | heater, aluminum cast, single | 2 | \$78.99 ea |
| 21 | E571 | heating rod, 600W, 115V | 1 | \$49.99 ea |
| 22 | E574 | Thermostat, 310°F ± 10°F, Manual, 1/4" | 2 | \$17.99 ea |
| 23 | H274 | screw, 6 x 3/16, phil pan head, self-tapping | 10 | \$0.99 ea |
| 24 | E573 | Thermostat, 200°, Auto, 1/4" | 2 | \$16.49 ea |
| 25 | E519 | heating rod, 1000W, 115V | 1 | \$51.99 ea |
| 26 | B207 | elbow, brass, 90 deg, 1/4" fpt x 1/4" fpt | 2 | \$5.99 ea |
| 27 | B107 | nipple, brass, 1/4"m, hex | 6 | \$3.19 ea |
| 28 | AH156 | hose, 3/8" x 6.5", (OAL), f x fsw, 5400 Gray | 1 | \$23.99 ea |
| 29 | B103 | elbow, brass, 90 deg, 1/4"mpt x 1/4" fpt | 5 | \$4.49 ea |
| 30 | B113 | tee, brass, 1/4" fpt | 1 | \$6.99 ea |
| 31 | B643 | adapter, brass, 3/8" fnpt x 1/4" mnpt | 1 | \$4.99 ea |
| 32 | AH108S | hose, pulse, 3/8" x 17-1/2", (OAL) | 2 | \$31.99 ea |
| 33 | B259 | qd, brass, 1/4" fqd x mpt | 1 | \$11.99 ea |
| 34 | B260 | qd, brass, 1/4" maqd x fpt | 1 | \$10.49 ea |
| 35 | H216 | nut, lock, 1/4-20, nylon insert, s/s | 6 | \$0.99 ea |
| 36 | H210 | washer, 1/4" flat, s/s | 18 | \$0.99 ea |
| 37 | H342 | bolt, 1/4-20 x 1" hex head, s/s | 4 | \$0.99 ea |
| 38 | AH184 | hose, pulse, 3/8" x 17-1/2", (OAL) | 2 | \$31.99 ea |
| 39 | B652 | elbow, brass, 90 deg, 3/8"mpt x 1/4"mpt | 3 | \$8.49 ea |
| 40 | B259A | qd, brass, 1/4" fqd x mpt | 3 | \$15.99 ea |
| 41 | B260A | qd, brass, 1/4" maqd x fpt | 3 | \$8.99 ea |
| 42 | C313A | pump, CAT, 50-500 PSI, 120/240v | 1 | \$599.99 ea |
| 43 | B186 | elbow, brass, 90 deg, 3/8"mpt x 3/8" fmpt | 2 | \$8.99 ea |
| 44 | B105 | bushing, brass, 3/8"mpt x 1/4" | 1 | \$3.19 ea |
| 45 | PH615-36 | sol hose, 1/2" kuri 100psi | 1 | \$8.99/ft |
| 46 | H347 | clamp, hose, 5/16-29/32 | 6 | \$1.99 ea |
| 47 | B644 | adapter, brass, 1/2" barb x 1/4" mpt | 1 | \$2.49 ea |
| 48 | B160 | adapter, brass, 1/2" barb x 3/8" fsw, ball end | 1 | \$3.49 ea |
| 49 | PH634-20 | sol hose, 1/4", 300psi, black | 1 | \$6.49/ft |
| 50 | B119 | filter, strainer, 1/4" | 1 | \$3.99 ea |
| 51 | B152 | elbow, brass, 90 deg, 1/4" barb x 1/4" mpt | 1 | \$5.49 ea |
| 52 | H044 | bracket, regulator, panel mount | 1 | \$27.99 ea |
| 53 | B127 | plug, brass, 1/4"mpt, hex | 1 | \$0.99 ea |
| 54 | C313C | regulator, 450 psi, silver spring | 1 | \$86.99 ea |
| 55 | H770 | bolt, 1/4-20 x 1/2" serrated hex flange, zinc | 2 | \$0.99 ea |
| 56 | H912 | bracket, rear, fb/spy | 1 | \$9.99 ea |
| 57 | H768 | bolt, 1/4-20 x 3/4" serrated hex flange, zinc | 8 | \$0.99 ea |
| 58 | H124 | Cuff-Lynx, 2" mpt x 2" female cuff | 2 | \$3.99 ea |
| 59 | H194 | coupler, 2" dia x 2.5" length, s/s | 2 | \$10.00 ea |
| 60 | H217 | clamp, hose, 2-1/4 dia | 4 | \$1.49 ea |
| 61 | PH628-20 | vac hose, 2", wire reinforced | 2 | \$8.99/ft |
| 62 | P732 | sol tank, speedster | 1 | \$141.99 ea |
| 63 | H390A | bracket, "L" | 2 | \$6.99 ea |
| 64 | H178 | faucet fill | 1 | \$10.99 ea |
| 65 | G018 | cover, sol tank (sp) | 1 | \$12.99 ea |
| 66 | H203 | bolt, 1/4-20 x 1-1/4" | 2 | \$0.99 ea |
| 67 | H211 | washer, 1/4" id x 1" od, flat, s/s | 6 | \$0.99 ea |
| 68 | G052 | washer, buna 1-1/8" od x 3/16" id | 6 | \$1.99 ea |
| 69 | H213 | washer, 1/4" lock, s/s | 10 | \$0.99 ea |

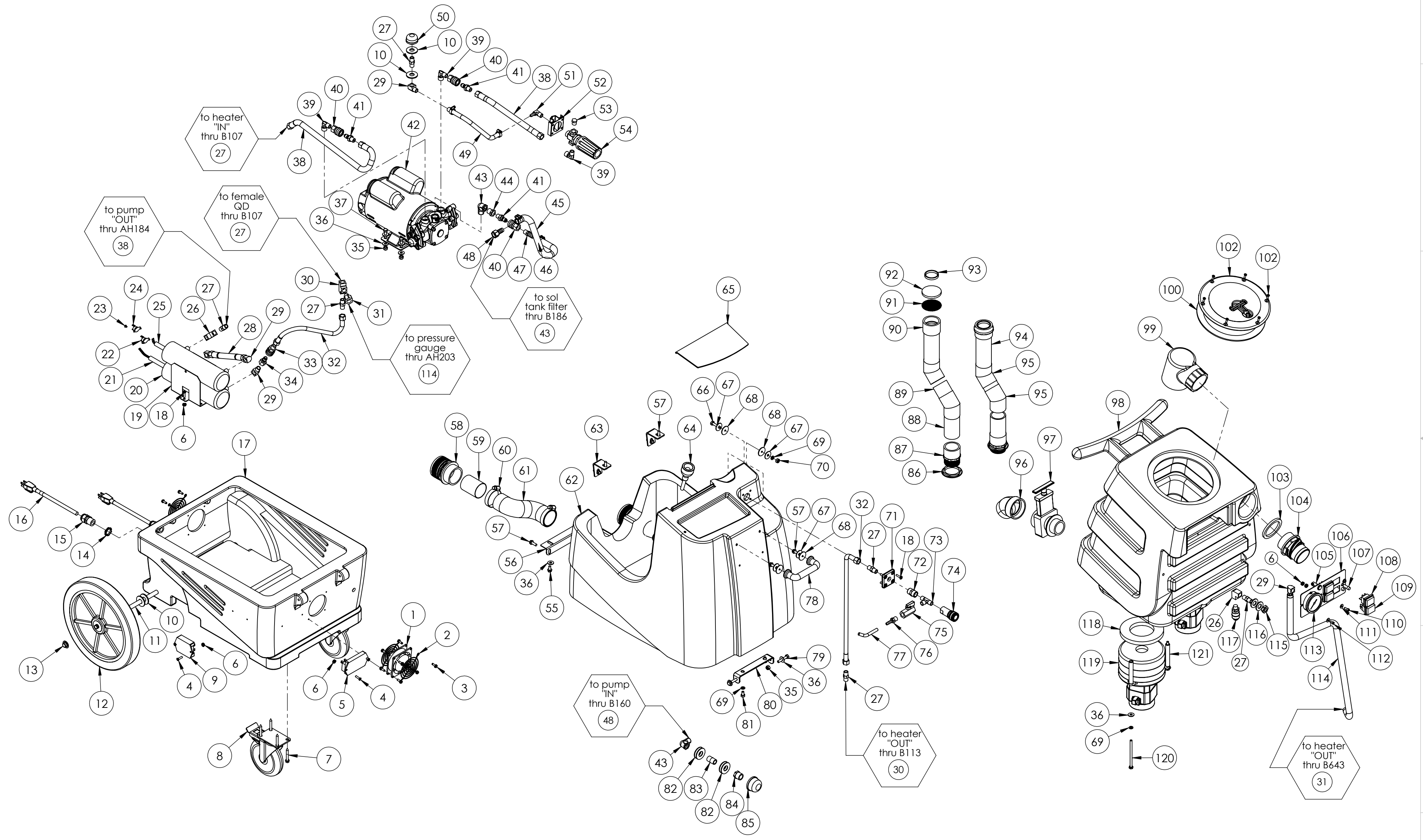
| ITEM NO. | PART NO. | DESCRIPTION | QTY. | MSRP |
|----------|-----------|--|------|-------------|
| 70 | H215 | nut, hex, 1/4-20 s/s | 2 | \$0.99 ea |
| 71 | H484 | plate, mounting, QD | 1 | \$4.99 ea |
| 72 | B142 | coupling, brass, 1/4" fpt x 1/4" fpt | 1 | \$4.49 ea |
| 73 | B135 | tee, brass, 1/4" mpt | 1 | \$5.49 ea |
| 74 | B102 | qd, brass, 1/4" f | 1 | \$17.99 ea |
| 75 | B656 | ball valve, 1/4" | 1 | \$13.49 ea |
| 76 | B109 | adapter, brass, 1/4" barb x 1/4" mpt | 1 | \$1.99 ea |
| 77 | PH634-36 | sol hose, 1/4", 300 PSI | 1 | \$6.49 ft |
| 78 | H485 | handle, breeze and dx | 1 | \$6.99 ea |
| 79 | H316 | bolt, 1/4x1-1/2", hex head zinc | 2 | \$0.99 ea |
| 80 | H378 | bracket, front hinge, sp/fb | 1 | \$8.99 ea |
| 81 | H201 | bolt, 1/4-20 x 1/2", hex head, zinc | 2 | \$0.99 ea |
| 82 | H299 | washer, 11/16" id x 1-1/2" od x .075, s/s | 4 | \$0.99 ea |
| 83 | B216 | nipple, brass, 3/8" x close | 1 | \$1.99 ea |
| 84 | B210 | bushing, brass, 1/2"mpt x 3/8" fpt, hex | 1 | \$2.49 ea |
| 85 | B119A | filter, strainer, 1/2" | 1 | \$6.49 ea |
| 86 | H314 | nut, lock, 1-1/2", steel | 2 | \$1.99 ea |
| 87 | P520 | adapter, pvc, 1-1/2" mpt x 1-1/2" fms | 2 | \$2.99 ea |
| 88 | PH633-4 | pipe, pvc, 1-1/2" | 2 | \$4.99/ft |
| 89 | PH633-2.5 | pipe, pvc, 1-1/2" | 2 | \$4.99 ft |
| 90 | P502 | adapter, 1.5" pvc, fslip x fslip | 2 | \$5.00 ea |
| 91 | G021 | screen, mesh filter, 2-3/8" dia | 2 | \$4.99 ea |
| 92 | G022 | filter, foam, 2-3/8" x 1" | 2 | \$2.99 ea |
| 93 | PH633-1 | pipe, pvc, 1-1/2" | 2 | \$4.99 ft |
| 94 | PH633-6 | pipe, 1-1/2" pvc | 2 | \$4.99 ft |
| 95 | P503 | adapter, 1.5" pvc, 45 deg, fslip x fslip | 4 | \$3.29 ea |
| 96 | H226 | spout, drain, 45 degree | 1 | \$3.19 ea |
| 97 | H225 | valve, drain, 1-1/2" | 1 | \$20.99 ea |
| 98 | P733 | vac tank, speedster | 1 | \$190.99 ea |
| 99 | A926 | elbow, inlet assembly 2" | 1 | \$15.99 ea |
| 100 | G091 | gasket, 7", vac lid | 1 | \$11.99 ea |
| 102 | G090 | lid, vac tank, clear, 7" | 1 | \$36.99 ea |
| 102 | H304 | screw, #8 x 5/8 phil oval, s/s | 6 | \$0.99 ea |
| 103 | G083 | gasket, 2" inlet | 1 | \$2.49 ea |
| 104 | H135 | Cuff-Lynx, 2" m cuff x 2" mpt | 1 | \$3.99 ea |
| 105 | E512B | light, indicator, 125v (amber) | 1 | \$9.99 ea |
| 106 | H337 | plate, switch, 1003DX, 1005DX | 1 | \$8.99 ea |
| 107 | E511 | light, red, 250v | 2 | \$5.99 ea |
| 108 | E515 | switch, rocker, 2 position | 3 | \$13.99 ea |
| 109 | E516 | switch, rocker, 3 position | 1 | \$14.99 ea |
| 110 | H389 | screw, 10-32 x 1/2" SHCS, alloy | 1 | \$0.99 ea |
| 111 | H612 | Washer, #8, flat regular | 3 | \$0.99 ea |
| 112 | H246 | screw, 8-32 x 3/8" SHCS, alloy, Black | 2 | \$0.99 ea |
| 113 | H308D | gauge, pressure, 2000 PSI | 1 | \$38.99 ea |
| 114 | AH203 | hose, pulse, 38" x 34" | 1 | \$47.99 ea |
| 115 | B156 | nut, 1/4" npt | 1 | \$1.99 ea |
| 116 | H212 | flat washer, 9/16" ID x 1 1/16" OD, AN960-C916 | 2 | \$0.99 ea |
| 117 | E373 | level switch, vacuum shut-off, rear threads | 1 | \$13.99 ea |
| 118 | G004 | gasket, vacuum motor | 2 | \$8.99 ea |
| 119 | C302LA | vac motor, 3 stage, low amp | 2 | \$139.99 ea |
| 120 | H096 | bolt, hex, 1/4-20 x 4", zinc Finish | 6 | \$0.99 ea |
| 121 | H503 | vac support, 3-stage, 3.25", no threads | 6 | \$3.99 ea |

ITEMS NOT SHOWN

| PART NO. | DESCRIPTION | QTY. | MSRP |
|----------------|--|------|------------|
| G008 | piglet filet | 1 | \$6.29 pak |
| G085 | gasket, strip, 3/4" x 36" x 1/8" | 1 | \$4.99 ea |
| H375 | hanger, wire formed, hose | 1 | \$10.99 ea |
| H230 | screw, 10-32 x 1/2" phil pan head, s/s | 2 | \$0.99 ea |
| H141 | Cuff-Lynx, 2" to 1.5" reducer | 1 | \$3.99 ea |
| E530 | power cord, ext 50', 12/3 black | 2 | \$74.99 ea |
| H110 | Cuff-Lynx, 2" hose x 2" fem swivel Cuff-Lynx | 1 | \$3.99 ea |
| AD127 | stop sign, register your product | 1 | |
| ADM-SPEEDSTERS | manual, speedsters | 1 | |

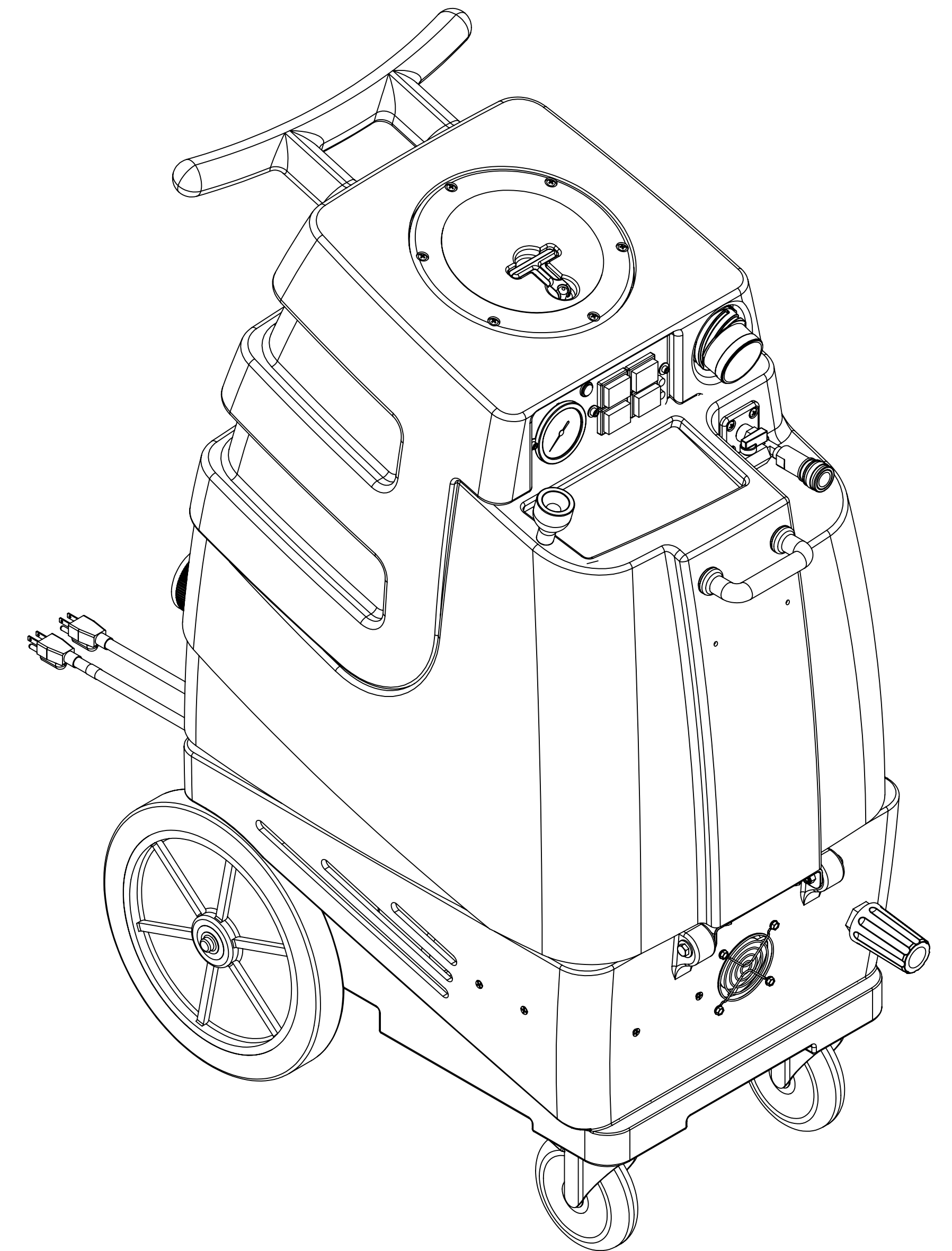


| | | | | | |
|-----------------------------|--|-----------|--------------|---|--------|
| UNLESS OTHERWISE SPECIFIED: | | NAME | DATE | MYTEE PRODUCTS, INC. 888-679-1191 | |
| DIMENSIONS ARE IN INCHES | | DRAWN | M. LaBarbera | | 8/2013 |
| TOLERANCES: | | CHECKED | | | |
| ANGULAR: ± .5 | | COMMENTS: | | | |
| ONE PLACE DECIMAL ±.005 | | | | TITLE: | |
| TWO PLACE DECIMAL ±.003 | | | | speedster | |
| THREE PLACE DECIMAL ±.001 | | | | SIZE DWG. NO. REV | |
| | | | | D 1003DX A | |
| | | | | SCALE: 1:48 DO NOT SCALE DRAWING SHEET 1 OF 3 | |



| | | | |
|---|--------|----------------------|-----------------------------------|
| NAME | DATE | MYTEE PRODUCTS, INC. | |
| DRAWN M.LaBarbera | 8/2013 | 858-679-1191 | |
| CHECKED | | TITLE: | |
| COMMENTS: | | speedster | |
| PROPRIETARY AND CONFIDENTIAL | | SIZE DWG. NO. | REV |
| THE INFORMATION CONTAINED IN THIS DRAWING IS THE SOLE PROPERTY OF MYTEE PRODUCTS, INC. ANY REPRODUCTION IN PART OR AS A WHOLE WITHOUT THE WRITTEN PERMISSION OF MYTEE PRODUCTS, INC. IS PROHIBITED. | | C 1003DX | A |
| | | SCALE: 1:48 | DO NOT SCALE DRAWING SHEET 2 OF 3 |

| REVISIONS | | | |
|-----------|----------------------|--------|----------|
| REV. | DESCRIPTION | DATE | APPROVED |
| OD | ORIGINAL DRAFT | - | JFL |
| A | REPLACED G003 W G022 | 8/2013 | JFL |



PROPRIETARY AND CONFIDENTIAL
 THE INFORMATION CONTAINED IN THIS DRAWING IS THE SOLE PROPERTY OF MYTEE PRODUCTS, INC. ANY REPRODUCTION IN PART OR AS A WHOLE WITHOUT THE WRITTEN PERMISSION OF MYTEE PRODUCTS, INC. IS PROHIBITED.

| | | | |
|---|---------------------------------|----------------------|----------------|
| UNLESS OTHERWISE SPECIFIED: DIMENSIONS ARE IN INCHES TOLERANCES: ANGULAR: ± .5 ONE PLACE DECIMAL ± .005 TWO PLACE DECIMAL ± .003 THREE PLACE DECIMAL ± .001 | DRAWN M. LaBarbera 8/2013 | NAME M. LaBarbera | DATE 8/2013 |
| MATERIAL | CHECKED | COMMENTS: | |
| FINISH | | | |

| | | |
|---|---------------------------|-----------------|
| MYTEE PRODUCTS, INC. 888-679-1191 | | |
| TITLE: speedster | | |
| SIZE D | DWG. NO. 1003DX | REV A |
| SCALE: 1:48 | DO NOT SCALE DRAWING | SHEET 3 OF 3 |