

User Manual

Phenom Dual Motor Upright Vacuum

Introduction

Preface

Dear Customer,

We are certain that the excellent qualities of the machine will justify the faith you have shown in us through your purchase.

Please read the Chapter "Safety Information" prior to starting the machine to ensure it is operated and used safely.

Your safety, and that of others, basically lies in your ability to control and operate the machine. Before using the equipment for the first time, read this original manual thoroughly, act according to the information contained and keep it in a safe place for future reference or subsequent owners.

The operating manual contains all the important information you need to operate, maintain and service the machine. Throughout this operating manual, sections which concern safety are indicated by corresponding warning symbols.

Should you have any questions in respect of the machine or operating manual, your authorized Minuteman dealer is available to provide help at any time.

We would like to emphasize that no legal claims can be asserted in respect of any work described in this manual. Please note that only original spare parts should be used for any necessary maintenance and repair work. Only original spare parts can guarantee long, reliable equipment operation. We reserve the right to make technical improvements.

Valid from: December 2011

Minuteman International Inc.
14N845 U.S. Route 20
Pingree Grove, IL 60140
U.S.A.

Intended use

The Minuteman Phenom, including the accessories described here, is a brush vacuum cleaner for dry cleaning carpets e.g. in hotels, schools, hospitals, industrial plants, shops, offices and rented properties and complies with the requirements for industrial and commercial use. Any use beyond this is regarded as improper use. The manufacturer is not considered liable for any damage resulting from improper use; the user is solely responsible for all the risks. Intended use also includes maintaining and observing the operating, maintenance and repair conditions prescribed by the manufacturer. The Minuteman Phenom may only be operated, serviced and repaired by personnel who are familiar with the work involved and are aware of the risks.

The applicable accident prevention laws must be observed and any generally accepted health and safety directives must be maintained. Based on the conception, design and construction of the model introduced onto the market by us, the machine

Introduction

complies with the applicable basic safety and health requirements stipulated in the EC Directive (refer to Declaration of Conformity). This declaration is no longer considered valid in the event of modifications to the machine not authorized by us. The manufacturer is not deemed liable for any damage resulting from unauthorized modifications to the machine.

Information on the warranty

The terms defined in the purchase agreement apply. There are no rights to claims for compensation under the terms of warranty when the damage is a result of failure to observe the stipulations concerning service and maintenance. Maintenance work must be performed by authorized Minuteman service centers and confirmed in the "Maintenance Report" which serves as a warranty logbook.

The following are excluded from the terms of warranty: wear and tear through overuse, defective fuses, improper handling and use or unauthorized modifications. Claims under the terms of warranty are also annulled when damage occurs to the vehicle resulting from the use of parts or accessories not explicitly approved by us or from failure to observe maintenance regulations.

Acceptance of the machine

Upon arrival, check machine for possible damages in transit. Follow unpacking instructions on shipping pallet. Each unit has been tested and thoroughly inspected before shipment. Any damage is the responsibility of the delivery carrier who should be notified immediately.

**Minuteman International Inc.
14N845 U.S. Route 20
Pingree Grove, IL 60140
U.S.A.**





Table Contents

Introduction	2	2	Operation	12	5	Maintenance and Service .	21
Preface	2	2.1	Assembly	12	5.1	Daily maintenance	21
Intended use	2	2.2	Operation	13	5.2	Weekly maintenance	21
Information on the warranty ..	3	2.3	Starting up	13	5.3	Annual inspection	21
Acceptance of the equipment.	3	2.4	Working with the hand-held suction hose	14	5.4	Changing the paper filter bag	22
1 Safety Information	5	2.5	Function faults	15	5.5	Cleaning the motor protection filter	23
1.1 Safety and warning symbols .	5	2.6	Accessories	15	5.6	Changing the microfilter	24
1.2 General information	6	3	Operating and Indicator Elements	16	5.7	Changing the brush roller . . .	25
1.3 Operating information.	6	4	Technical Data	18		CE Declaration	28
1.4 Maintenance information	8					Minuteman Limited Warranty	30
1.5 Particular risks	8						
1.6 Environmental protection	9						
1.7 Behavior following faults or accidents	9						
1.8 Disposing of the machine	9						
1.9 Labels on the machine	10						

1 Safety Information

1.1 Safety and warning symbols

All sections related to personal safety, safety of the machine and environmental protection are assigned the following symbols throughout the operating manual:

Symbol	Damage to ...	Definition
Read operating manual 	persons or property	Safety information to prevent hazardous situations caused by a failure to follow instructions or prescribed working procedures accurately or at all.
Safety information 	persons or property	Safety information to prevent hazardous situations caused by a failure to follow instructions or prescribed working procedures accurately or at all.
Note 	the machine	Important information on handling the device to maintain its functioning ability.
Risk to environment 	the environment	Risks to the environment through using substances which represent a risk to health and the environment.

Safety Information

1.2 General information

- In addition to the information provided in this operating manual, all the legally applicable health and safety provisions must be observed.
- Before starting up the machine for the first time, read the operating manual supplied with it thoroughly as well as any separate manuals provided with additional or attachment devices and observe all the information during work.
- The Minuteman Phenom may only be operated, serviced and repaired by persons who have received the necessary training from Minuteman personnel or personnel authorized by Minuteman.
- The appliance is not to be used by children or persons with reduced physical, sensory or mental capabilities, or lack of experience and knowledge, unless they have been given supervision or instruction.
- Particular attention should be paid to the information regarding safety. Technical expertise is the key to preventing errors when operating the equipment and ensuring trouble-free

operation.

- The operating manual must always be kept at the operating location of the machine and, as a result, should be kept in a safe place on the machine.
- If the equipment is sold or rented out, these documents should be transferred to the new owner/operator. The transfer should be confirmed!
- The warning labels attached to the equipment provide important information concerning safe operation. Illegible or missing labels must be replaced by new ones.
- For reasons of safety, always use original spare parts.
- Keep children away from the machine.

1.3 Operating information

- **CAUTION** – This appliance is for dry use only and is not to be used or stored outdoors in wet conditions.
- **ATTENTION** – this machine is only intended for use indoors.
- This appliance is suitable for commercial use, for example in hotels, schools, hospitals, factories,

shops, offices and rental businesses.

- Check the machine in respect of its perfect condition and operational safety each time before starting it up. Faults and defects, particularly in respect of the electrical system, must be cleared up immediately!
- Never complete any modifications to the machine. Any form of manipulation can have fatal consequences and, in all cases, annuls all rights to claims under the terms of warranty.
- Before starting work, the operator must be fully familiar with all adjustment, operating and control elements and accessories as well as their respective function! It is too late to do this when the machine is actually in operation! Only start work after you have followed the instructions in this manual and can operate the machine safely.
- Any use of the machine which deviates from that described in this operating manual represents a risk and must be avoided.
- The warning labels attached to the Minuteman Phenom provide

Safety Information

important information concerning safe operation.

- The machine may only be used for cleaning those surfaces which have been approved for it by the contractor or person appointed by him.
- It is forbidden to use the machine in potentially explosive atmospheres.
- It is forbidden to use the machine in electrostatically protected areas.
- CAUTION – This appliance is not suitable for picking up hazardous dust.
- The Minuteman Phenom is not designed for clearing hazardous, combustible or explosive fluids or substances, e.g. cigarettes, fireplace ashes, etc.
- Do not vacuum up any items or substances which could damage the filter components, e.g. glass splinters, metallic cuttings, etc.
- Do not vacuum up any unknown substances or fluids whose properties you do not know.
- WARNING – Only use the brushes provided with the appliance or those specified in the instruction manual. The use of other brushes may impair safety. This also applies to the optional accessories described in the operating manual.
- After switching the machine on, you must immediately start to move the Minuteman Phenom across the floor, otherwise imprints of the brush could be caused.
- Do not allow the rotating brushes to come into contact with the supply cord:
- When using an electrical extension cable, ensure that it is compatible with the machine's power cable and performance data and is in perfect condition. If in doubt, contact your authorized Minuteman service center or a suitably qualified electrician.
- If smoke, foam or liquid escapes from the machine, switch it off immediately and disconnect the power plug.
- Floor cleaning machines may only be operated by appropriate persons who have been trained in respect of their operation, have proved their capability to operate them to the contractor or their representative and have been explicitly charged to use the machine.
- Always wear heavy duty, non-slip footwear when working with the machine.
- When using the machine, it is essential to pay attention to third parties, especially children.
- Never leave the Minuteman Phenom unattended when it is switched on. Always switch the machine off and disconnect the power plug from the power socket.
- Do not pull or transport the machine using the power cable.
- Transport the machine in the original packing, if possible.
- Secure the machine from rolling away during transport. Pack accessories separately and secure them.
- If you are not operating the machine, store it out of reach of children.
- Children being supervised not to play with the appliance.
- If you are not going to use the machine for some time, store it in a clean, dry location. Do not use the machine outdoors or expose it to the weather.

Safety Information

1.4 Maintenance information

Proper maintenance of the brush vacuum cleaner is a major aspect in preventing accidents.

- The maintenance work and maintenance intervals prescribed in the operating manual must be adhered to.
- Operating personnel must complete the necessary daily and weekly maintenance work. All other maintenance work must be completed at your nearest Minuteman service center.
- Before completing any cleaning and maintenance work or replacing parts, switch the machine off and disconnect the power plug from the power socket. This applies particularly with regard to work on the electrical system!
- Suitable tools must be used for cleaning and maintenance work.
- Spare parts must comply with the minimum technical requirements stipulated by the manufacturer! This is ensured by the use of original spare parts.
- It is not permitted to clean the machine with a pressure washer or steam blaster.

- It is not permitted to use aggressive and corrosive cleaning agents.
- Where necessary, the Minuteman Phenom must be subjected to an annual electrical safety test by an authorized expert in accordance with the accident prevention regulations. The results of the test must be documented in writing and kept at least until the next test.
- Observe legal regulations and local directives.

1.5 Particular risks

- The following applies for fault location and fault clearance: Switch the machine off immediately and disconnect the power plug from the power socket!
- Clear faults immediately.
- Always disconnect the power plug when working on the electrical system.
- Work on the electrical equipment may only be carried out by electricians who have received the necessary training and in accordance with the electrical engineering regulations.
- The machine's electrical equipment

must be inspected/checked at regular intervals. Defects, such as loose connections and cable damage, must be rectified immediately.

- The appliance is to be disconnected from its power source during cleaning or maintenance.
- Only use original fuses with the prescribed amperage.
- Regularly examine the supply cord for damage. If damaged, replace the cord, specified, before further use.
- The damaged power cable must be replaced at an authorized Minuteman service center or by an appropriately qualified electrician.

Safety Information

1.6 Environmental protection

- A certain factual expertise is required in order to use substances which could represent a risk to health and the environment.
- Observe the applicable laws and local regulations when disposing of the vacuumed waste.
- Clean the dust filter outdoors and wear personal protective equipment when doing so! Do not inhale the dust.
- Dispose of the dust according to the applicable environmental laws!

1.7 Behavior following faults or accidents

- Switch the machine off immediately and disconnect the power plug if an abnormal situation, risk, accident or functional fault arises or if it can no longer be used safely during operation.
- Inform colleagues, superiors, emergency services or others according to the type of fault.
- If necessary, take precautionary measures to prevent third parties switching the machine on unintentionally.
- Prevent any hazardous situations developing by informing yourself of the type and special aspects of the substances to be vacuumed up prior to actually starting work.

1.8 Disposing of the machine

- Cut off the power cable to render the machine inoperable. It must not represent a potential source of danger for children.
- Dispose of the device according to the applicable local regulations.
- For further information on handling and recycling, please contact your authorized Minuteman dealer where you purchased the machine.

Safety Information

1.9 Labels on the machine

The following safety and warning labels are attached to the machine where easily legible.



Missing or illegible labels must be replaced immediately.

Company logo (Fig. 1/1)

Minuteman[®]

Indication of disinfecting effect: The machine combats bacteria, fungi and dust mites (Fig. 1/2)

ANTISEPTIC TREATMENT

to eliminate bacteria's fungi's and dust mites



TOTAL

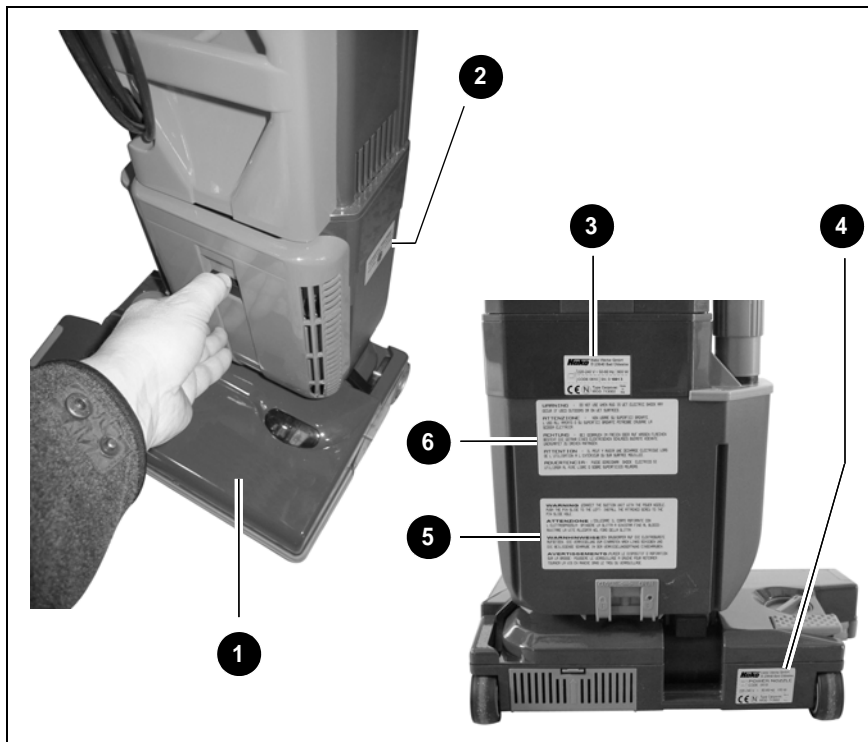


Fig. 1

Safety Information

Rating plate (Fig. 1/3)

The rating plate is on the rear side of the machine.



Brush head rating plate (Fig. 1/4)

The rating plate is on the rear side of the brush head.



Assembly notes for electrical brush (Fig. 1/5)

WARNING : CONNECT THE SUCTION UNIT WITH THE POWER NOZZLE. PUSH THE PIN SLIDE TO THE LEFT. INSTALL THE ATTACHED SCREW TO THE PIN SLIDE HOLE.

ATTENZIONE : COLLEGARE IL CORPO ASPIRANTE CON L'ELETTROSPAZZOLA. SPINGERE LA SLITTA A SINISTRA FINO AL BLOCCO. AVVITARE LA VITE ALLEGATA NEL FORO DELLA SLITTA.

WARNHINWEISE : DEN SAUGKÖRPER AUF DIE ELEKTROBÜRSTE AUFSETZEN. DIE VERRIEGLUNG ZUM EINRASTEN NACH LINKS SCHIEBEN UND DIE BELIEGENDE SCHRAUBE IN DER VERRIEGLUNGSÖFFNUNG EINSCHRAUBEN.

AVERTISSEMENTS : PLACER LE DISPOSITIF D'ASPIRATION SUR LA BROUSSE. POUSSIERE LE VERROUILLAGE A GAUCHE POUR REFERMER. TOURNER LA VIS EN ANNEXE DANS LE TROU DU VERROUILLAGE.

Safety information: Do not use the machine outdoors or on wet surfaces! (Fig. 1/6)

WARNING : DO NOT USE WHEN RUG IS WET. ELECTRIC SHOCK MAY OCCUR IF USED OUTDOORS OR ON WET SURFACES.

ATTENZIONE : NON USARE SU SUPERFICI BAGNATE. L'USO ALL'APERTO O SU SUPERFICI BAGNATE POTREBBE CAUSARE LA SCOSSA ELETTRICA.

ACHTUNG : BEI GEBRAUCH IM FREIEN ODER AUF NASSEN FLÄCHEN BESTEHT DIE GEFAHR EINES ELEKTRISCHEN SCHLAGES. BÜRSTE KOENNTE UNERWARTET ZU DREHEN ANFANGEN.

ATTENTION : IL PEUT Y AVOIR UNE DÉCHARGE ÉLECTRIQUE LORS DE L'UTILISATION À L'EXTÉRIEUR OU SUR SURFACE MOUILLÉE.

ADVERTENCIA : PUEDE OCASIONAR SHOCK ELECTRICO SI UTILIZADA AL AIRE LIBRE O SOBRE SUPERFICIES MOJADAS.

2 Operation

2.1 Assembly

For transportation reasons, the shaft, suction hose and brush head are not assembled. Proceed as follows to assemble these parts:

1. Insert the shaft (Fig. 2/3) in the opening at the top of the vacuum cleaner and press down until the locking mechanism (Fig. 2/4) engages.
2. Insert the suction hose (Fig. 2/2) in the top of the vacuum cleaner.
3. Insert the intake pipe (Fig. 2/1) at the bottom of the vacuum cleaner.
4. Insert the vacuum cleaner in accordance with Fig. 2 on the brush head (Fig. 2/5) and slide the lock (Fig. 3/6) to the left "CLOSE".

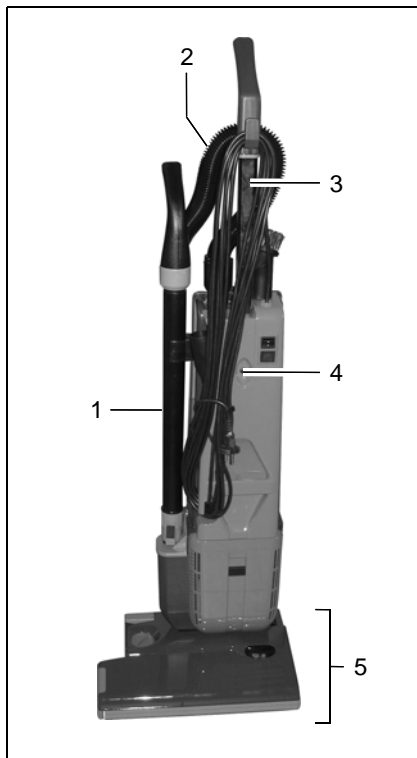


Fig. 2

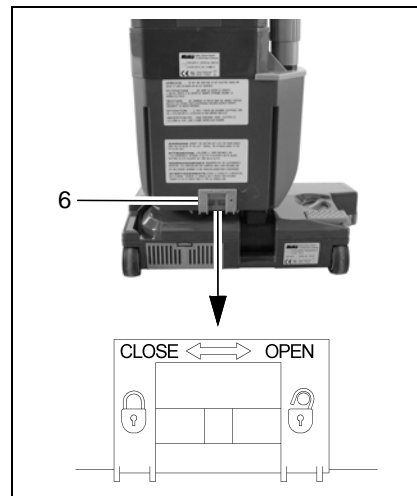


Fig. 3

- 1 Intake pipe
- 2 Suction hose
- 3 Shaft
- 4 Locking knob for shaft
- 5 Brush head
- 6 Locking mechanism

2.2 Minuteman Phenom method of operation

The Minuteman Phenom brush vacuum cleaner – which combines brushing and vacuuming – provides intense, thorough cleaning. It is gentle to carpets, so extending the service life of textile flooring.

The Minuteman Phenom:

- brushes the carpet pile, removing adhesive dirt,
- separates the pile, simplifying vacuuming up the particles of dirt,
- realigns the pile, ensuring optimum cleaning even in the case of stubborn dirt and worn surfaces, carpets exposed to extensive use.

The Minuteman Phenom, the hand-operated vacuum cleaner with brush base, for thorough, gentle cleaning of carpets distinguishes itself:

- through high area coverage, thanks to the broad working width of the brush base and optimum accumulation of dirt during one sweep,
- through the speed with which it can be operational, thanks to its compact design,
- through being easy to carry, thanks to the handle arranged at the machine's center of gravity,
- through its small spatial requirements, thanks to the compact dimensions,
- through its long life, thanks to its high performance drive motors and high quality materials.

2.3 Starting up

Take the power plug and connect it to a power socket with a mains power supply of 230 Volt and a fuse of 16 A (slow-blow).

1. Switch the Minuteman Phenom on using the On/Off switch (Fig. 6/5) and move the locking device (Fig. 4/1) to its working position.
2. Adjust the height of the brush according to the conditions at the location of use.
3. Turn the rotary knob (Fig. 4/2) clockwise: set the brush lower.
4. Turn the rotary knob (Fig. 4/2) counterclockwise: set the brush higher.



To clean close to borders, use the right-hand side of the brush head.

After completing your work, actuate the Off switch.



Never leave the machine unattended when switched on. Switch the Minuteman Phenom off and disconnect the power plug.

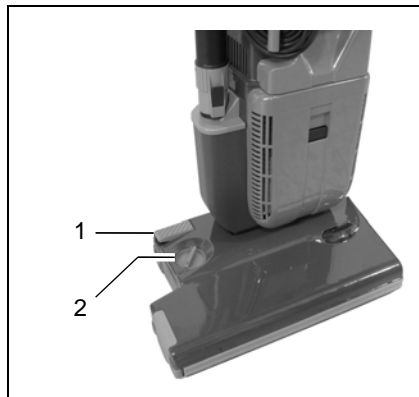


Fig. 4

2.4 Working with the hand-held suction hose

The Minuteman Phenom can also be used to clean areas which are difficult to access, e.g. to clean corners or confined spaces. Set the shaft to its vertical position. Pull out the suction hose (Fig. 5/1) in the direction of the arrow as illustrated in Fig. 5. Fit the nozzle or rotating brush on the suction hose.

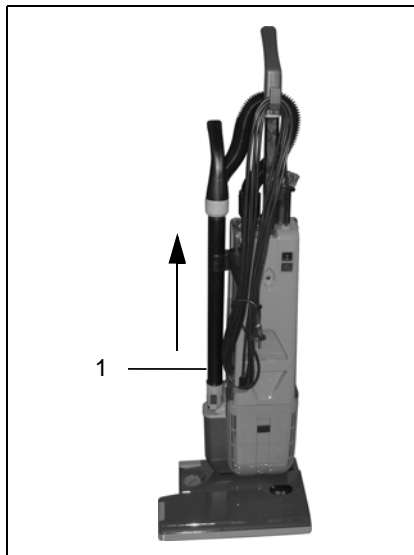


Fig. 5



The suction hose can be extended to a length of approx. 2.4 m.

2.5 Function faults

Fault	Cause	Solution
The Minuteman Phenom does not switch on	No voltage	Check the fuse ^{*)} , cable, power socket and power plug
The brush head does not work, although the Minuteman Phenom is switched on the suction turbine is running	Set the shaft to its vertical position The brush motor is switched off due to overloading (green and red indicators light up on the brush head)	Set the shaft to its working position (release locking device) Switch the Minuteman Phenom off
The suction power deteriorates	The paper filter bag is full or the suction hose is blocked The microfilter is blocked	The brush is blocked by foreign bodies; remove it, e.g. tape, wire etc. Replace a new paper filter bag or clear the blockage Insert a new microfilter

^{*)} If the mains fuse (16 A) is repeatedly tripped, the machine must be inspected at an authorized Minuteman service center.

2.6 Accessories

- **HEPA filter (7205)**
To filter out microparticles.
- **Paper filter bag (7218)**
10 x dust and dirt filter bag and 2 x micro-filter.
- **Synthetic bag (7215)**
Pack of 5.

3 Operating and Indicator Elements

- 1 Nozzle
- 2 Suction hose
- 3 Handle
- 4 Shaft
- 5 On/Off switch
- 6 Change filter indicator
- 7 Power plug with cable
- 8 Carrying handle
- 9 Cover latch
- 10 Control lamps for brush pressure
- 11 Bearing, brush roller
- 12 Rotary knob for brush height adjustment
- 13 Locking device
- 14 Intake pipe
- 15 Locking knob for shaft
- 16 Unlocking mechanism for rear cover
- 17 Rotating brush
- 18 Locking mechanism for brush head
- 19 Brush head

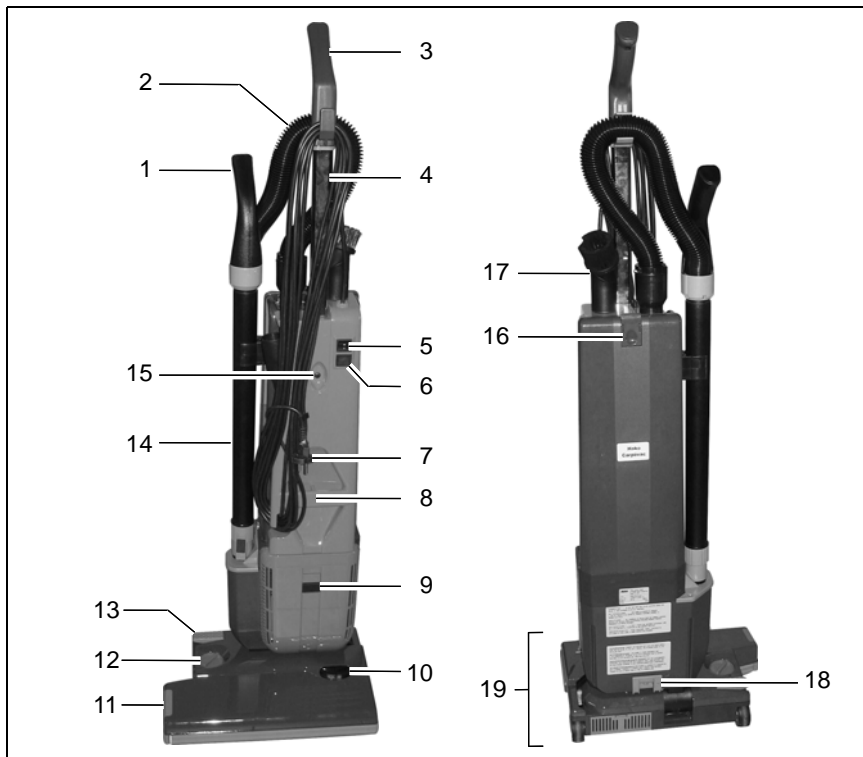


Fig. 6

Operating and Indicator Elements

Handle (Fig. 6/3)

Hold the handle and use it to guide the Minuteman Phenom; the suction hose and nozzle remain fixed to the shaft.

Intake pipe with hose

(Fig. 6/14 and 6/2)

It serves to vacuum up the dirt swept by the brush. In addition, the suction hose can be used to vacuum up dust when extended or clean areas difficult to access when the nozzle is fitted.

On/Off switch (Fig. 6/5)

It serves to switch the Minuteman Phenom on and off.

Change filter indicator (Fig. 6/6)

It lights up when the filter bag needs to be changed or when the suction or brush is blocked. The suction power is then reduced.

Locking knob

for shaft (Fig. 6/15)

It serves to lock the shaft extension. To pull out the shaft, press and hold the locking knob.

Power plug

with cable (Fig. 6/7)

It serves to connect the Minuteman Phenom to a 230 Volt power socket. Fuse: 16 A.

Carrying handle (Fig. 6/8)

It serves to carry/transport the Minuteman Phenom.

Locking device (Fig. 6/13)

It serves to set the Minuteman Phenom vertical, e.g. for transportation or storage.



The brush head of the Minuteman Phenom cannot be switched on when in a vertical position (safety circuit/protects against carpet damage).

Rotary knob

for brush height adjustment

(Fig. 6/12)

It enables the height of the brush to be adjusted according to the conditions at the location of use.

Turn counterclockwise: increase height of brush

Turn clockwise: reduce height of brush

Control lamps

for brush pressure (Fig. 6/10)

When the green control lamp lights up, the brush height (brush pressure) is correct. If the green and red lamps light up simultaneously, the brush motor is overloaded and switches off automatically. The brush height must then be increased. To switch the Minuteman Phenom back on again, actuate the On/Off switch once (RESET).

Nozzle (Fig. 6/1)

The nozzle is included in the range of parts supplied with the Minuteman Phenom and serves for cleaning areas difficult to access.

Technical Data

4 Technical Data

Dimensions		
Width	cm	38
Height	cm	120
Depth	cm	22
Length of hand-held suction hose (extended/retracted)	cm	240/63
Working width		
Brush roller	cm	35
Weight		
Total weight	kg	7,8
Electrical installation		
Mains power supply	V/Hz	230/50
Type of current		Alternating current (AC)
Total nominal power	W	900
Protection class		II
Brush head		
No. of brushes (brush roller)	Pieces	1
Brush motor output	W	180
Brush roller speed	rpm.	5000

Technical Data

Aspirating engine		
Output	W	720
Air flow rate	l/sec	49
Fan vacuum	mm WS	2000
Noise emission value		
Sound pressure level in accordance with DIN 45635	dB (A)	69
Standard accessories		
Nozzle		
Rotating brush		
Special equipment		
Electronic control unit		
Washable fabric sack		
HEPA filter, Class S (for clean rooms)		
Activated carbon filter		
Fan accessories		

Technical Data

Device features:

Area of use: For the dry cleaning of carpets inside industrial buildings (e.g. plants, hotels, hospitals, residential homes, cleaning businesses)

5-stage microfilter system
(combats viruses, bacteria, fungi and microparasites)

Approved for use in hospitals

Volume filter bags

Exchange of brush roller with V-bristle arrangement without tools

Control lamp for changing the filter bags

Automatic device switch-off when shaft is vertical

Electronic control for slow motor startup and shutdown when the brush roller is blocked

Infinitely variable brush height adjustment
(with electronic adjustment and pressure control)

10 m reinforced power cable

Telescopic pipe (can be extended up to 1.5 m)

Rotary hose

Low noise due to double insulation and 4 rubber wheels

Housing made of impact-proof material

I

4

5 Maintenance and Service

It is essential to pay attention to the information in Chapter "Safety Information" before completing any service or maintenance work! By adhering to the maintenance work recommended by us, you can be sure that the machine is always ready to be put into operation. Maintenance and repair work necessary on a daily and weekly basis can be carried out by an operator trained to complete the work, all other Minuteman system maintenance may only be completed by personnel who are correspondingly qualified and trained. Please contact your nearest Minuteman service center or Minuteman authorized dealer. Failure to observe this annuls any rights to claims under the terms of guarantee in respect of resulting damage or consequential damage. Always specify the serial number in the case of inquiries and spare parts orders, refer to Section 1.9 - Rating plate.

5.1 Daily maintenance

- Check the power cable, operating elements and accessories are fitted properly and for signs of damage.
- Check and clean the brush roller, change if damaged.
- Check the motor protection filter for dirt and, if necessary, tap to clean it or replace it as necessary.
- Check the microfilter and change it if necessary. Replace with each fifth paper filter bag change at the latest.
- Check the paper filter bag, remove and change when the filter change indicator (Fig. 6/6) lights up.

5.2 Weekly maintenance

- Clean the exterior of the machine with a damp cloth. Use a mild cleaning agent, if necessary. Do not use any aggressive cleaning agents.
- Clean the intake pipe/hose, remove any deposits and dirt.
- Check the wheels/rollers run easily and for signs of damage.

5.3 Annual inspection

Complete an electrical safety inspection in accordance with the applicable accident prevention regulations.

5.4 Changing the paper filter bag

The paper filter bag must be changed as soon as the control lamp under the On/Off switch lights up (reduced suction power).

1. Open and remove the cover (Fig. 7/2) in accordance with Fig. 7.
2. Pull the paper filter bag (Fig. 7/3) downwards from the nozzle (Fig. 7/4) and remove it from the filter compartment (Fig. 7/1).
3. Insert a new paper filter bag (Fig. 7/3).



Never operate the Minuteman Phenom without a paper filter bag.



Only use original paper filter bags:
10 dust and dirt filter bags
made of paper plus two
microfine filters
(order number 7218)
or
5 synthetic bags
(order number 7215).

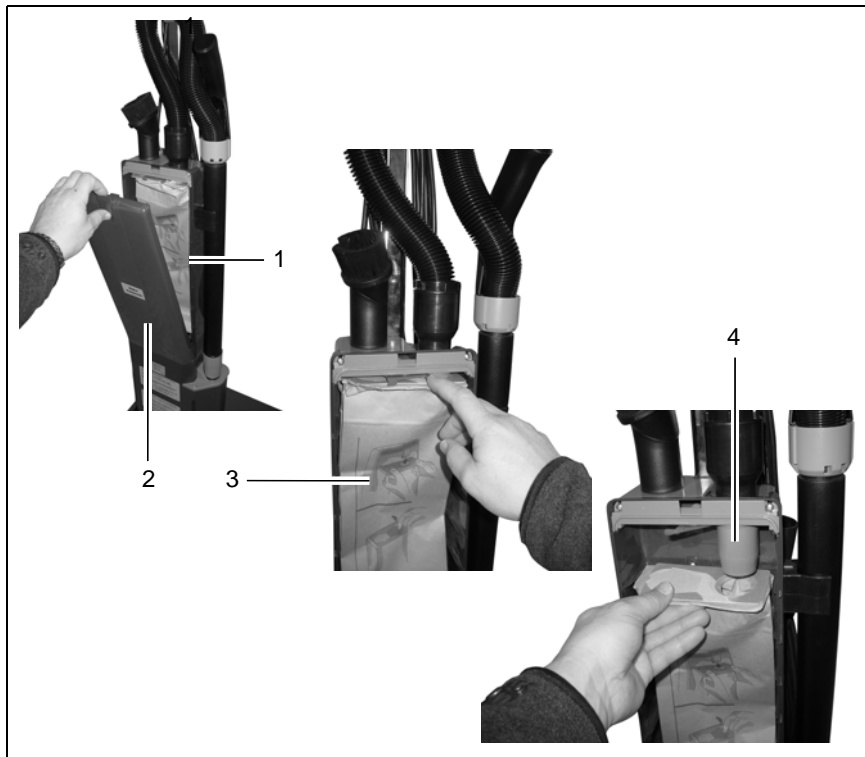


Fig. 7

5.5 Cleaning the motor protection filter

The motor protection filter, underneath the filter compartment, must be checked regularly for accumulation of dirt and, when necessary, tapped clean or replaced by a new one.

Proceed as follows to replace the motor protection filter:

1. Open the filter compartment (Fig. 8/1) and remove the protection filter in accordance with Fig. 8.
2. Open up the filter support (Fig. 8/3), remove the filter cloth (Fig. 8/2) and clean it.



Ensure the motor protection filter is fitted correctly because this filter protects the air intake section from dirt.



Fig. 8

5.6 Changing the microfilter

This filter should be changed with each fifth paper filter bag change.

1. Press the cover latch (Fig. 9/2) and remove the microfilter cover (Fig. 9/1).
2. Remove the plastic grid (Fig. 9/3) and replace the microfilter (Fig. 9/4) (2 pieces are enclosed with the paper filter bags).
3. Reinsert the microfilter (Fig. 9/4) and replace the microfilter cover (Fig. 9/1).

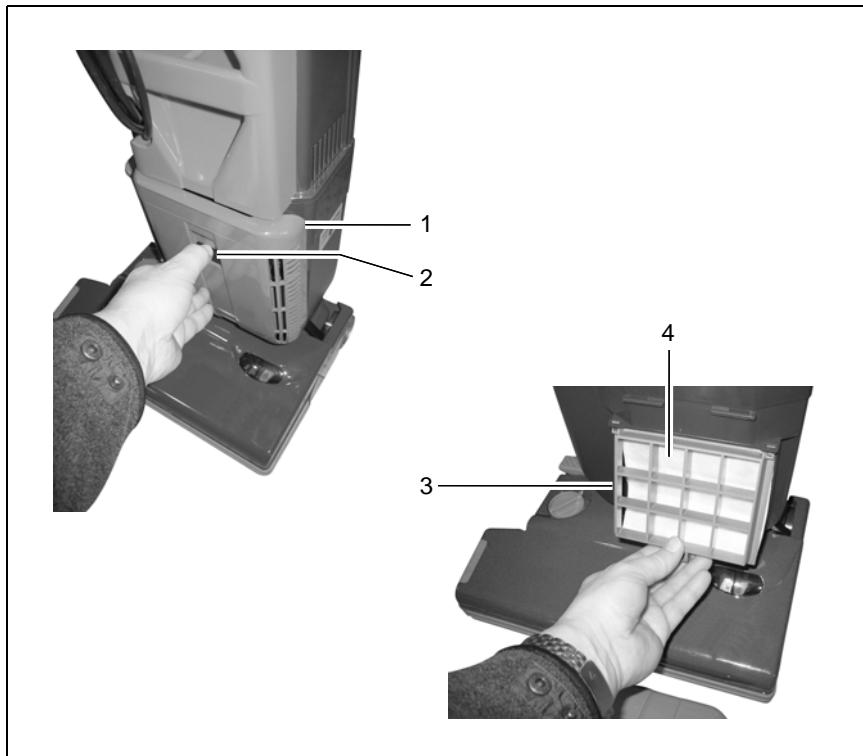


Fig. 9

5.7 Changing the brush roller

The brush roller can be removed in just a few steps:

1. Switch the Minuteman Phenom off and disconnect the power plug.
2. Remove the brush head (Fig. 10/6).
3. Remove the base plate (Fig. 10/2) by removing the 4 slotted-head screws with a screwdriver.
4. Raise the bearing (Fig. 10/4) and brush roller (Fig. 10/5) far enough so that both parts can be removed from the housing (Fig. 10/7).
5. Pull the brush roller (Fig. 10/5) from the brush shaft (Fig. 10/3).
6. Slide the new brush roller (Fig. 10/5) on the brush shaft (Fig. 10/3). Pay attention that the brush roller (Fig. 10/5) is installed the right way round and the catch engages in the brush.
7. Replace the bearing (Fig. 10/4) and press back in the housing (Fig. 10/7).
8. Screw the base plate (Fig. 10/2) back on.

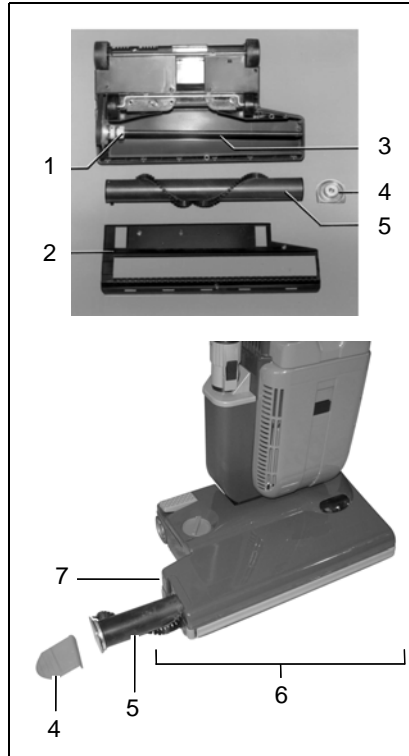


Fig. 10

- 1 Catch
- 2 Base plate
- 3 Brush shaft
- 4 Bearing
- 5 Brush roller
- 6 Brush head
- 7 Housing



Finally, open the small flap (Fig. 11/1) at the back of the brush head (Fig. 10/6) and remove any accumulated dirt, if necessary.

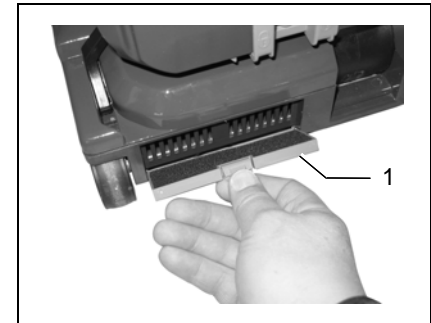


Fig. 11

Notes

Notes

- D EG-Konformitätserklärung** (entsprechend der EG-Richtlinie 2006/42/EG)
- GB EC Declaration of Conformity** (according to Directive 2006/42/EC)
- F Déclaration de conformité pour la CEE** (conforme à la directive de la CEE 2006/42/CEE)
- I Dichiarazione CE di Conformità** (ai sensi della direttiva CEE 2006/42)
- E CEE Declaración de Conformidad** (según la normativa de la CEE 2006/42/CE)

Minuteman International erklären in alleiniger Verantwortung, daß das Produkt, declare under our sole responsibility, that the product, déclarons sous notre seule responsabilité que le produit, Dichiaro sotto la propria responsabilità che il prodotto, declaramos bajo responsabilidad propia que el producto,

Machine

L15230

L18230

D auf das sich diese Erklärung bezieht, den einschlägigen grundlegenden Sicherheits- und Gesundheitsanforderungen der EG-Richtlinie 2006/42/EG, sowie den Anforderungen gemäß 2004/108/EG entspricht. Zur sachgerechten Umsetzung der in den EG-Richtlinien genannten Sicherheits- und Gesundheitsanforderungen wurde(n) folgende Norm(en) und /oder technische Spezifikation(en) herangezogen:

GB to which this declaration relates corresponds to the relevant basic safety and health requirements of the Directive 2006/42/EC, and to the requirements of the other relevant Directives 2004/108/EC. For the relevant implementation of the safety and health requirements mentioned in the Directives, the following standard(s) and/or technical specification(s) has (have) been respected:

CE Declaration Cont'd.

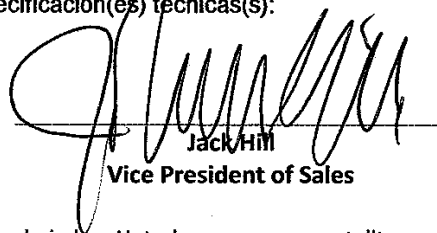
F faisant l'objet de la déclaration est conforme aux prescriptions fondamentales en matière de sécurité et de santé stipulées dans la Directive de la CEE 2006/42/CEE, ainsi qu'aux prescriptions des autres Directives de la CEE établies dans ce domaine 2004/108/CEE. Pour mettre en pratique dans les règles de l'art les prescriptions en matière de sécurité et de santé stipulées dans les Directives de la CEE, il a été tenu compte de la/des norme(s) et/ou de la/des spécification(s) technique(s) suivante(s):

I é conforme ai requisiti essenziali di sicurezza e di tutela della salute di cui alla Direttiva CEE 2006/42 e sue successive modifiche, nonché ai requisiti di cui alle seguenti Direttive CEE 2004/108. Per la verifica della Conformità di cui alle Direttive sopra menzionate, sono state consultate le seguenti, Norme Armonizzate EN:

E al cual se refiere la presente declaración corresponde a las exigencias básicas de la normativa de la CEE 2006/42/CE y referentes a la seguridad y a la sanidad, así como a las exigencias de la demás normativas de la CEE 2004/108/CE. Con el fin de realizar de forma adecuada las exigencias referentes a la seguridad y a la sanidad mencionadas en las normativas de la CEE fué(ron) consultada(s) la(s) siguiente(s) normativa(s) y especificación(es) técnicas(s):

**EN60335-2-69, EN55014-1, EN55014-2,
EN610000-3-2, EN610000-3-3**

Date: 12/5/2011



Jack Hill
Vice President of Sales

Name der autorisierten Person, die für Minuteman die technischen Unterlagen zusammenstellt:

Name of the person authorized for Minuteman to compile the technical file:

Personne chargée du suivi du dossier technique:

Nome della persona autorizzata da Minuteman a compilare il file tecnico:

Nombre de la persona autorizada por Minuteman para la creación del fichero técnico: **Jeff Pollack**

D, GB, F, I, E

Minuteman International Made Simple Commercial Limited Warranty

REVISION G EFFECTIVE 12/1/2011

Minuteman International, Inc. warrants to the original purchaser/user that the product is free from defects in workmanship and materials under normal use. Minuteman will, at its option, repair or replace without charge, parts that fail under normal use and service when operated and maintained in accordance with the applicable operation and instruction manuals. All warranty claims must be submitted through and approved by factory authorized repair stations.

This warranty does not apply to normal wear, or to items whose life is dependent on their use and care, such as belts, cords, switches, hoses, rubber parts, electrical motor components or adjustments. Parts manufactured by Minuteman are covered by and subject to the warranties and/or guarantees of their manufacturers. Please contact Minuteman for procedures in warranty claims against these manufacturers.

Special warning to purchaser — Use of replacement filters and/or prefilters not manufactured by Minuteman or its designated licensees, will void all warranties expressed or implied. A potential health hazard exists without original equipment replacement.

All warranted items become the sole property of Minuteman or its original manufacturer, whichever the case may be.

Minuteman disclaims any implied warranty, including the warranty of merchantability and the warranty of fitness for a particular purpose. Minuteman assumes no responsibility for any special, incidental or consequential damages.

This limited warranty is applicable only in the U.S.A. and Canada, and is extended only to the original user/purchaser of this product. Customers outside the U.S.A. and Canada should contact their local distributor for export warranty policies. Minuteman is not responsible for costs or repairs performed by persons other than those specifically authorized by Minuteman. This warranty does not apply to damage from transportation, alterations by unauthorized persons, misuse or abuse of the equipment, use of non-compatible chemicals, or damage to property, or loss of income due to malfunctions of the product.

If a difficulty develops with this machine, you should contact the dealer from whom it was purchased.

This warranty gives you specific legal rights, and you may have other rights which vary from state to state. Some states do not allow the exclusion or limitation of special, incidental or consequential damages, or limitations on how long an implied warranty lasts, so the above exclusions and limitations may not apply to you.

Minuteman International Made Simple Commercial Limited Warranty

Cord Electric Group: Three years parts, two years labor, ninety days travel (Not to exceed two hours)

Exceptions.....

<u>Model</u>	<u>Parts</u>	<u>Labor</u>	<u>Poly</u>	<u>Travel</u>
Port A Scrub	1 yr	6 months	10 yrs	0
MPV 13	1 yr	0	0	0
MPV 14 & 18	2 yrs	1 yr	0	0
Phenom Upright Vacuums	1 yr	1yr	0	0
Rapid Air Blower	1 yr	1 yr	10 yrs	0
Explosion Proof Vacuum	1 yr	1 yr	0	0
X12, X12H & TRS 14	1 yr	1 yr	10 yrs	0
E17 & E20 Electric Scrubbers	1 yr	6 months	10 yrs	0
Pneumatic Vacuums	3 yr	1 yr	0	0

<u>Description</u>	<u>Parts</u>	<u>Labor</u>	<u>Poly</u>	<u>Travel</u>
Battery Operated Group	3 yrs	2 yrs	10	90 days
Sweepers	1 yr	1 yr	10	90 days
Internal Combustion Group	1 yr	1 yr	10	90 days
				Not to exceed two hours
Exception: PAS 14B	1 yr	1 yr	10 yr	0

Battery Chargers:

One year replacement

Replacement Parts:

Ninety days

Batteries:

0-3 months replacement, 4-12 months pro-rate

Polyethylene Plastic Tanks:

Tanks have 10yr warranty, no additional labor



988743um Rev * 12/11

Minuteman International Inc. · 14N845 U.S. Route 20 · Pingree Grove, Illinois 60140 · U.S.A.
Phone: 800-323-9420 · Fax 800-422-6933
www.minutemanintl.com

A Member of the Hako Group