

Wave™

28 inch Wide Area Vacuum

Cleaner Carpet, Cleaner Building, Cleaner Air.



The productivity of a 28" cleaning path with the versatility of on-board tools.

- » The productivity of a 28" cleaning path with the versatility of on-board tools.
- » On-board tools and attached wand to increase productivity.
- » Two vacuum motors increase cleaning power and performance.
- » Wave's enclosed bag design and four-stage filtration improve indoor air quality.
- » Wave's brush suspension system ensures consistent cleaning on uneven floors.
- » Ergonomic design provides the operator with outstanding sight-lines and increases comfort.



800.440.6723
www.southeasternequipment.net



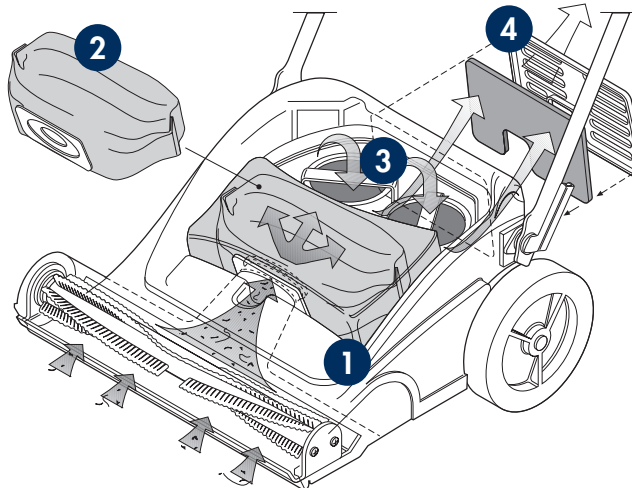
Technical Specifications

	WAV
Model Number:	1.012-505.0
Construction:	Rotationally molded polyethylene, heavy gauge steel frame; Stainless steel housing
Brush:	28" (71 cm) wide brush with nylon bristles; Six height adjustments
Brush Motor:	1/4 hp (186 watts)
Vacuum Motor:	Two, 1.1 hp (802 watts), 224 cfm airflow (105 ltrs/sec), 63" (160 cm) waterlift
Filter Bags:	Enclosed, top fill, disposable paper bag and reusable cloth bag; 1 bushel (2150 inch ³ , 35 ltr) capacity; Optional HEPA filters available, which filters 99.97% at 0.3 micron
Wheels:	Rear: Two, 10" (25 cm) non-marking wheels Front: Two, 1.6" (4.5 cm) non-marking swivel casters
Accessories:	Built-in compact extension hose, stretches from 26" (66 cm) to 6' (1.8 m); On-board dusting brush, upholstery tool and crevice tool
Power Cable:	75' (23 m) 14/3 SJTW
Electrical:	115V, 60 Hz, 13 amps (230V, 50 Hz also available)
Dimensions (LxWxH):	59" x 31" x 18" (150 cm x 79 cm x 46 cm)
Dimensions (LxWxH): folded, upright storage position	18" x 31" x 33" (46 cm x 79 cm x 84 cm)
Weight:	95 lbs (43 kg) with cable
Sound Level:	72 dBA

Specifications are subject to change without notice.

Wave's four-stage filtration includes:

- 1 a disposable bag
- 2 a machine washable cloth bag
- 3 two standard vacuum motor filters (HEPA filter optional)
- 4 exhaust particle final filter



Windsor Innovations Protect:



Indoor Air Quality



Water



People



Environment

Performance Features



Above-the-floor vacuuming is simplified with attached wand and on-board tools.



The handle folds over the bag housing for compact storage.



Convenient foot lever makes Wave's six brush height adjustments easy.