



8300

Sweeper-Scrubber



800.440.6723
www.southeasternequipment.net

8300 New Standard for Sweeper-S



Large-capacity, 1000 AH battery compartment to deliver maximum machine run-time.



Self-sensing "smart-hopper" holds 300 lb/136 kg of debris and dumps level up to 5 ft/1530 mm.



Patented, MTS system sweeps debris into the front of the hopper without brush carry-over, increasing performance and maximizing hopper space.

The battery-powered 8300 introduces patented sweeping technology combined with legendary scrubbing productivity to set a new standard for sweeper-scrubbers.

Experience MTS™ Sweeping

Engineered with the new Multi-Technology Sweeping (MTS™) system, the 8300 deploys a 10 inch/250 mm dia. brush with an 8 inch 205 mm dia. re-directional cylinder to sweep debris into the hopper without brush carry-over.

From crushed popcorn boxes to sand, bolts and nails, debris is swept in advance of scrubbing. TufGuard™ side brushes increase the sweeping path to 64 inches/1630 mm, making the 8300's productivity unmatched in its class.

Super-Size Hopper Capacity

The MTS system uses the entire hopper space by sweeping debris to the front of the hopper. In fact, the smaller 8300 hopper holds 300 lb/136 kg of debris, providing plenty of capacity while reducing overall machine length.

It's also a "smart-hopper," with a microprocessor keeping it level as it dumps up to 5 ft/1530 mm. Rotating 160 degrees, the Hopper then "senses" position on the way down, locking back into place.

Legendary Tennant Productivity

With a 57 gallon/216 L solution tank and a 74 gallon/280 L recovery tank, the 8300's scrubbing capacity matches its generous sweeping capacity. Add the ES™ option with detergent metering system, and scrubbing time extends up to 360%.

Increased Run-Time and Safety

Extra-large-sized batteries increase run-time to 1000 AH. Add a 48 inch/1220 mm scrubbing path and a coverage rate up to 100,000 ft²/9,600 m²/hr, and the 8300 delivers maximum productivity.

Hard on dirt and grime, the 8300 is easy on the operator. Power steering is standard, along with one-button scrubbing, on-board diagnostics, and a LCD system. No-tool brush, squeegee and filter changes make maintenance a snap.

The new Model 8300 sweeper-scrubber: exceeding all expectations and redefining cleaning excellence for years to come.



Scrubbers

Battery Compartment

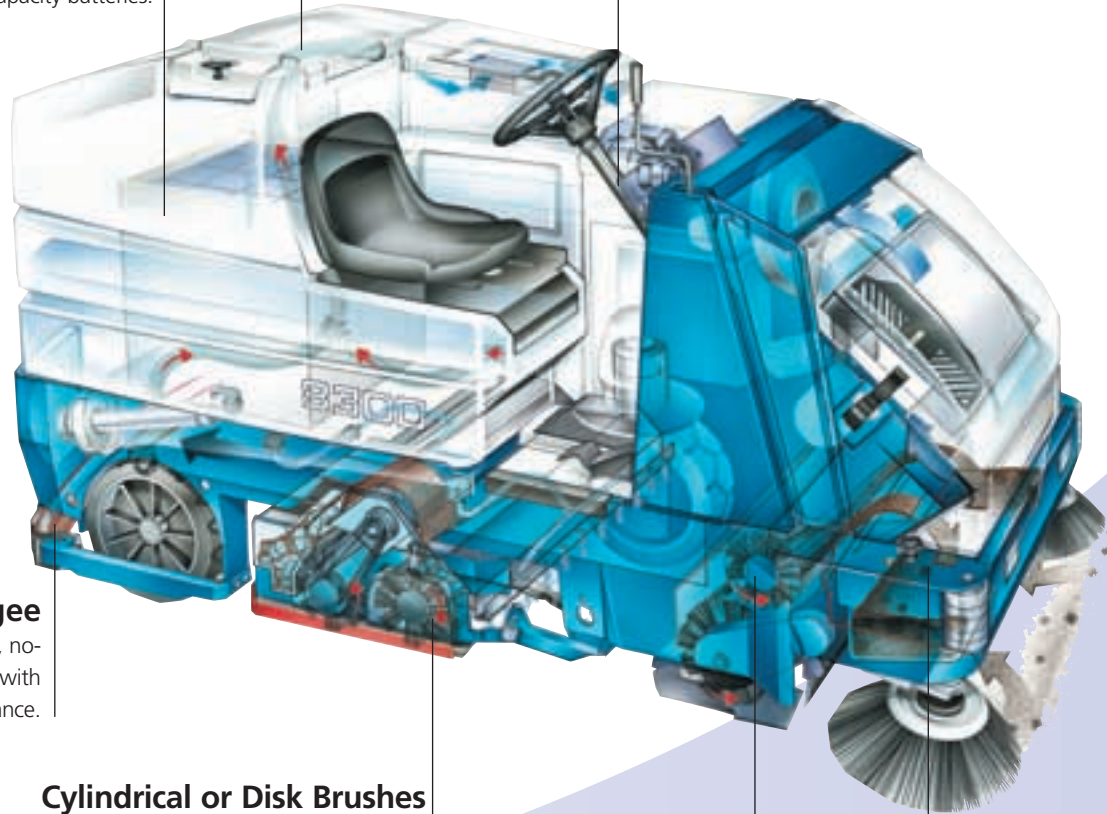
Extended run-time from large-capacity batteries.

Recovery Tanks

No-mess clean-up from large, easy-access recovery tanks.

Power Steering

Operator comfort is maximized with standard power steering.



Squeegee

Break-away, parabolic, no-tool-change squeegee with alarm for quick maintenance.

Cylindrical or Disk Brushes

Customize to exact specifications with cylindrical or disc brushes.

MTS Sweeping

Patented MTS system delivers the highest performance.

Hopper

Productivity is increased via 300 lb/136 kg capacity "smart-hopper."



Ideal for food and beverage warehouses, the 8300 simultaneously sweeps a 64 inch/1630 mm path and scrubs a 48 inch/1220 mm path.



With a 45 inch/1140 mm-wide frame, the 8300 cleans the most congested manufacturing plants.



The 8300 cleans the largest distribution facilities with coverage rates up to 100,000 ft²/9,600 m² per hour.

800.440.6723 • www.southeasternequipment.net

8300 POWER SWEEPER-SCRUBBER SPECIFICATIONS

SWEEPING SYSTEM

Cleaning Path		
Single Side Brush (RH Side)	50 in	1270 mm
Dual Side Brush	64 in	1630 mm
Main Brush Length	36 in	920 mm
Brush Motor	.8 hp	0.60 kW
Side Brush diameter	19 in	490 mm
Hopper Volume Capacity	3 ft ³	85 L
Hopper Weight Capacity	300 lb	136 kg
Hopper Dump Height	60 in	1530 mm

SCRUBBING SYSTEM

Cleaning Path		
MaxPro™ 1000 Scrubhead (standard)	40 in	1020 mm
MaxPro™ 1200 Scrubhead (optional)	48 in	1220 mm
Edge Scrub Reach	5 in	130 mm
Solution Tank	57 gal	216 L
Demisting Chamber	17 gal	64 L
Solution Recycling Tank (ES™ Option)	90 gal	340 L

Disk Scrubhead

Brush Speed	320 rpm	320 rpm
Brush Down Pressure (variable to)	500 lb	227 kg
Brush Size (2) MP1000 diameter	20 in	510 mm
Brush Motor (2) MP1000 and (3) MP1200	1 hp	0.75 kW
Brush Size (3) MP1200 diameter	16 in	410 mm

Cylindrical Scrubhead

Brush Speed	500 rpm	500 rpm
Brush Down Pressure (variable to)	500 lb	227 kg
Brush Size (2) diameter	9 in	230 mm
Brush Motor (2)	1.5 hp	1.1 kW

RECOVERY SYSTEM

Recovery Tank	74 gal	280 L
Vacuum Fan Speed	14,000 rpm (each of 2)	
Vacuum Water Lift	65 in	1650 mm
Vacuum Fans (2)	.85 hp	0.63 kW

PROPELLING SYSTEM

Propel Speed Forward (variable to)	5.5 mph	8.0 km/h
Propel Speed Reverse (variable to)	3.0 mph	4.8 km/h
Propel Motor	4.6 hp	3.4 kW
Gradeability		
Transport at Gross Weight	8°/14%	8°/14%
Working (Sweeping/Scrubbing)	6°/10.5%	6°/10.5%
Ground Clearance (Transport)	2 in	50 mm
Tires Front (1), Solid	6 in x 16.25 in	150 mm x 410 mm
Tire Rear (2), Solid	5.0 in x 16 in	130 mm x 410 mm

TO CUSTOMIZE, HERE ARE YOUR OPTIONS:

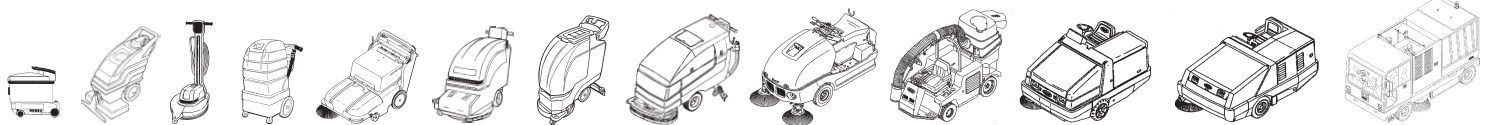
Extended Scrubbing System (ES™), Heavy-Duty Bumpers (with detergent metering and AutoFill), Detergent meter, MaxPro™ 1200 Scrubhead, Left-Hand Side Brush, Head and Tail Lights, Fire Extinguisher, Positive Drain Control, Non-marking Rear Tires, Roll-Out Battery, Synthetic Filter Panel, Forklift Battery Removal, Overhead Guard.



(Specifications subject to change)

Creating a cleaner, safer world™

Tennant Company offers the most complete lines of floor and surface maintenance equipment, floor coatings, brushes and cleaning detergents in the world, for the industrial, commercial and outdoor cleaning markets. Our sales and service networks are able to provide you with integrated custom cleaning solutions to meet any floor care need.



ISO 9001 Certified UL Listed



TENNANT COMPANY

701 North Lilac Drive
 Minneapolis, MN 55422, U.S.A.
 Mailing Address: P.O. Box 1452,
 Minneapolis, MN 55440, U.S.A.
 Phone: 1-800-553-8033
 Fax: 763-540-1437
 In Quebec, call: 514-335-6061

Southeastern
 EQUIPMENT & SUPPLY, INC.

800.440.6723

www.southeasternequipment.net