

For new and refurbished equipment, and supplies - www.southeasternequipment.net



Creating a cleaner, safer world

ATLV 4300

Litter Vac



800.440.6723

www.southeasternequipment.net

Beautiful Performance

The ATLV 4300 can make an area the size of a football field look spotless in about half an hour – safely, efficiently, and cost-effectively.

With a debris-recovering capacity nearly twice that of any competitor, the ATLV 4300 All-Terrain Litter Vacuum restores beauty to parks, school grounds, city sidewalks, monuments, malls – even zoos. The ATLV 4300 cleans surfaces ranging from asphalt to concrete to grass, and also picks up hard-to-reach litter lodged in fence lines.

Innovative Ergonomics

Special attention was given to operator safety and comfort in designing the ATLV 4300.

A standard rollover protection system (ROPS) safeguards operators. Plus, ergonomically designed seat and controls reduce operator fatigue to ensure the job gets done right.

Maximum Productivity

The ATLV 4300's optional wide-area vacuum head provides maximum productivity. The patent-pending unique design allows the operator to remove the nozzle from the head and reach into and clean remote areas.



The ATLV 4300 comes in a choice of custom colors. Choose between yellow, red, purple, blue and green.



Large capacity hopper means much longer operation before debris dumping.



A four-wheel stance provides greater stability, lessens the risk of tip-overs, and gives a smooth ride.



An optional vacuum wand lets operators clean hard-to-reach places.



The ATLV 4300 removes litter, cans, and broken glass from grass-covered grounds in parks or stadiums.

Hard surfaces such as asphalt and concrete quickly regain their visual appeal.

Vacuum nozzle with adjustable handle reaches to clean thoroughly alongside fences.

The ATLV 4300

- 1 Advanced ergonomics include power/tilt steering, and a vacuum hose with gas cylinder assist.
- 2 Four wide, all-terrain tires deliver greater mobility and minimize ground compaction.
- 3 High ground clearance helps machine climb curbs.
- 4 Dual rear-wheel disc brakes provide sure stops and limited slip traction.
- 5 Adjustable vacuum hose permits you to reach litter in fences and planters.
- 6 Debris container uses standard off-the-shelf trash bags.
- 7 Turning radius to inside wheel provides 3-wheel movement in a 4-wheel machine.



3000 LitterVac

Specifications*

Propelling System

Speed forward	16 mph	25 km/h
Speed reverse	5 mph	8 km/h
Gradeability		
Full hopper	12 deg	
Empty hopper	12 deg	

Litter Pick-up System

Type	Vacuum nozzle	
Coverage rate per hour with 1230 mm vac head option	105,600 ft ³	9810 m ²
Time required to cover a football field	1/2 hour	
Capacity		
Volume capacity	110 gal.	415 L
Bag capacity (each)	55 gal.	208 L
Bag size	102 mm W x 1397 mm L, 3 mil	

Machine Dimensions

Net weight	1860 lb	845 kg
Minimum U-Turn (left)	160 in	4064 mm

Tennant Value Added Equipment Includes:

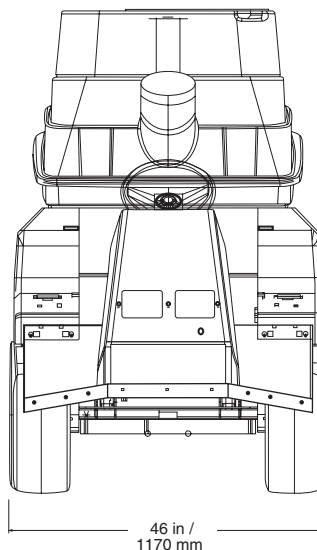
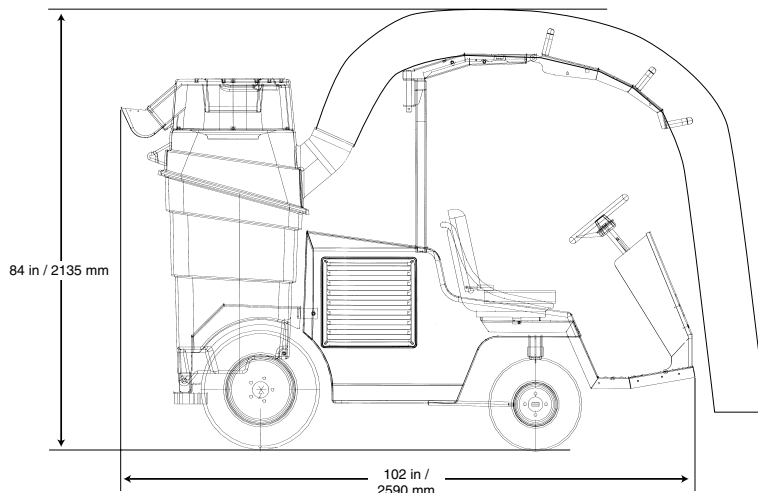
4 wheels with front spring suspension	
ROPS (meets OSHA 1928.52)	Power steering
Vacuum fan shutoff	Cool gray seat
Uni-body frame construction	Industrial radiator
Tilt steering wheel	Corrosion-resistant litter tank

Optional Equipment

Audio-visual backup alarm	5 paint color options
Trailer hitch	Foam-filled tires
4 post ROPS w/weather shield	Vacuum wand w/extension
Traction tires	Fence-line attachment
Vacuum fan discharge filter	Vacuum wand attachment
Road travel package	Panel filter air discharge dust control

* Subject to change without notice.
(Some options may not be available in all countries.)

Dimensions



A unique, sturdy rollover protection system (ROPS) safe-guards operators.

ISO 9001 Certified

ATLV is a United States trademark of Tennant Company.

Creating a cleaner, safer world.™

Tennant Company offers the most complete line of floor and surface maintenance equipment, floor coatings, brushes, and cleaning detergents in the world. Our sales and service network is able to provide you with integrated custom cleaning solutions to meet any floor care need.



Tennant Company
P.O. Box 1452
Minneapolis, MN U.S.A. 55440
Phone: 763-540-1200
Fax: 763-513-1725
www.tennantco.com



800.440.6723

www.southeasternequipment.net