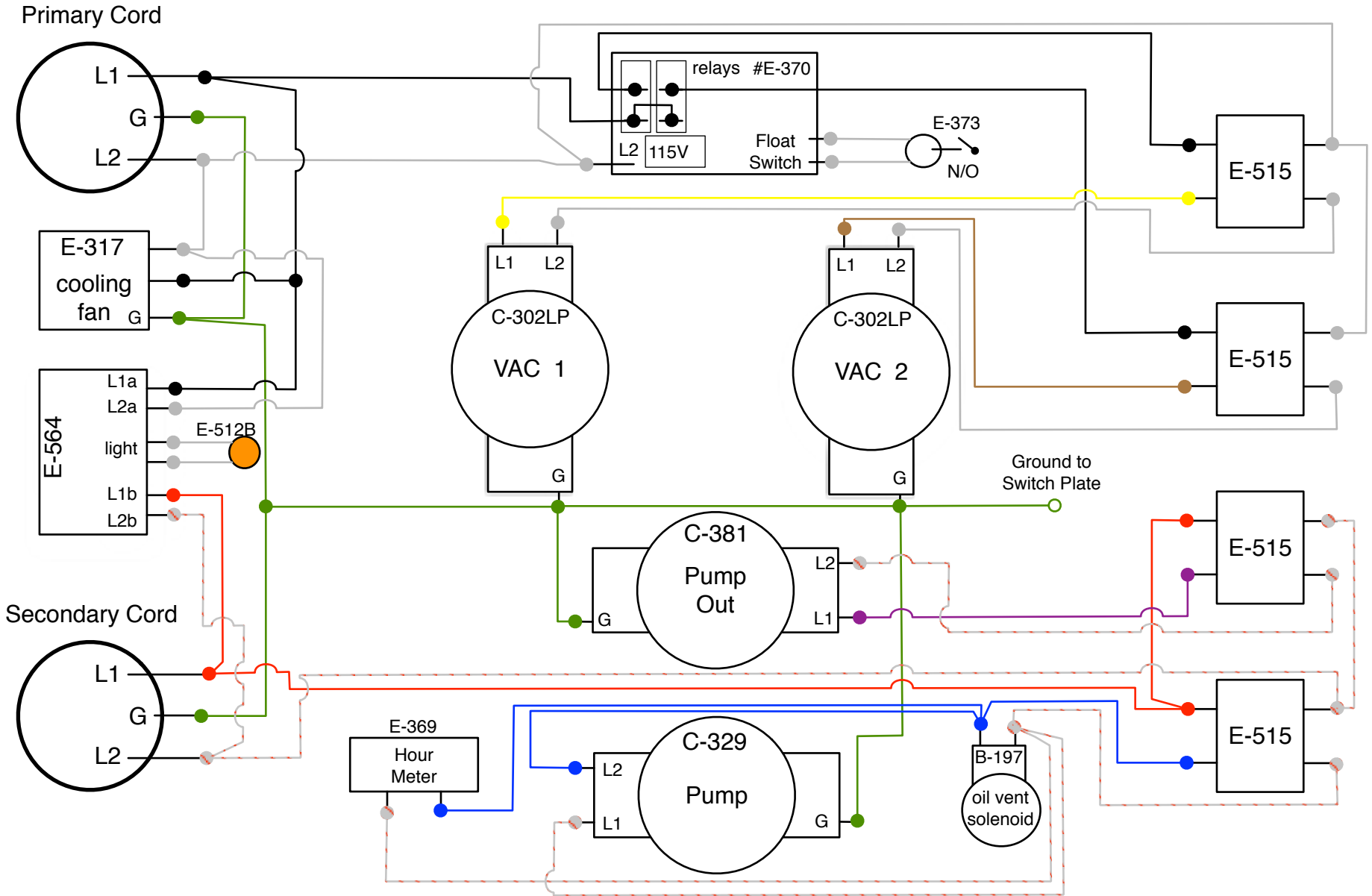


LTD-12 115 Volt System



6/1/2012

Created By:

Date:

Checked By:

Date:

Wiki/Binder:

Date: