

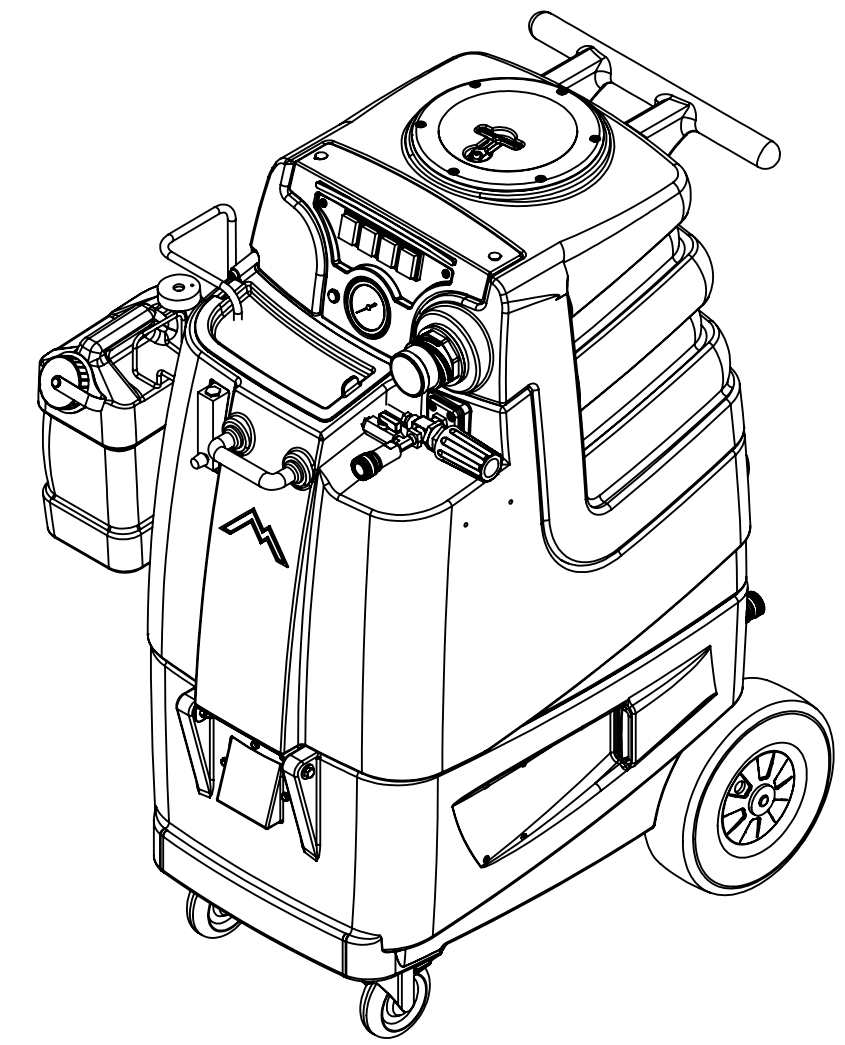
ITEM NO.	PART #	DESCRIPTION	QTY.	MSRP
1	H212	flat washer, 9/16"ID x 1 1/16"OD, AN960-C916	4	\$0.99 ea
2	B199	coupler, 1/2" fpt x 1/4" fpt	3	\$8.99 ea
3	B644	adapter, brass, 1/2" barb x 1/4" mpt	1	\$2.49 ea
4	H347	clamp, hose, 5/16-29/32	14	\$1.99 ea
5	PH615-9	sol hose, 1/2", 3045psi, black	1	\$8.99 ft
6	H273	nut, kep, #10-32 zinc	16	\$0.99 ea
7	H210	washer, 1/4" flat, s/s	30	\$0.99 ea
8	H186	screw, 10-32 x 3/4, phil flat full thread	8	\$0.99 ea
9	C381	pump out, 115v	1	\$187.49 ea
10	PH615-37	sol hose, 1/2", 3045psi, black	1	\$8.99 ft
11	H219	cap, axle, 1/2"	2	\$0.99 ea
12	H109	wheel, 10", foam filled	2	\$79.99 ea
13	H232	axle, 19.60" x .50"	1	\$9.99 ea
14	H254	washer, axle, cut 1/2" id	4	\$0.99 ea
15	P514	vent, side, LTD	2	\$5.00 ea
16	H668	caster, 4", black hub & gray tread	2	\$19.49 ea
17	H342	bolt, 1/4-20 x 1" hex head, s/s	8	\$0.99 ea
18	H216	nut, lock, 1/4-20, nylon insert, s/s	14	\$0.99 ea
19	H343	screw, 10 x 5/8" hex head, zinc	4	\$0.99 ea
20	C317	fan, cooling, 115V	1	\$21.49 ea
21	E370	controller, water level, dual pump or vac	1	\$94.99 ea
22	H202	bolt, 1/4x20x3/4" hex head	4	\$0.99 ea
23	B135	tee, brass, 1/4" mpt	2	\$5.49 ea
24	B143	street elbow, 90 degrees, 1/8"	4	\$2.99 ea
25	C332	pump head, general, 2.1 GPM	1	\$569.99 ea
26	B172	elbow, brass, 90 deg, 1/2" barb x 3/8"mpt	1	\$9.49 ea
27	PH615-23	sol hose, 1/2", 3045psi, black	1	\$8.99 ft
28	B160	adapter, brass, 1/2" barb x 3/8" fsw, ball end	2	\$3.49 ea
29	B168	adapter, 3/8" NPTF x 3/8"NPTM	1	\$3.99 ea
30	B169	tee, 3/8" Street Tee, MPTxFPTxFPT	1	\$23.99 ea
31	B246	plug, brass, 3/8" mpt, hex	1	\$1.99 ea
32	B105	bushing, brass, 3/8"mpt x 1/4"	3	\$3.19 ea
33	B216	nipple, brass, 3/8" x close	2	\$1.99 ea
34	B197	valve, solenoid, 1/4", 115V	1	\$89.99 ea
35	C329	motor, for pump, 1 HP, 1725 RPM	1	\$359.99 ea
36	P511	LX series base	1	\$196.99 ea
37	PH615-32	sol hose, 1/2", 3045psi, black	1	\$8.99 ft
38	B123	adapter, brass, 1/2" barb x 1/4" fpt	1	\$4.99 ea
39	B107	nipple, brass, 1/4"m, hex	3	\$3.19 ea
40	G068	bumper, 7/8" x 1/4" head	2	\$1.99 ea
41	H486	latch, front	2	\$13.99 ea
40	H230	screw, 10-32 x 1/2" phil pan head, s/s	20	\$0.99 ea
43	H221	nut, lock, 1/2" steel	2	\$1.99 ea
44	H220	fitting, strain relief, cord	2	\$3.19 ea
45	E550	power cord, pigtail, 30", 12/3, black	2	\$11.49 ea
46	E564	controller, circuit light	1	\$62.99 ea
47	E369	hour meter, panel mount, analog	1	\$35.99 ea
48	H039	plate, auto fill/ pump out	1	\$9.99 ea
49	B656A	ball valve, 1/2" m x 1/2" f	1	\$16.49 ea
50	B205B	QD, 1/2" npt x 3/4" mgh, pump-out	2	\$3.99 ea
51	B204	qd, 3/4" female x female garden hose	2	\$9.99 ea
52	H541A	valve, float, autofill	1	\$108.99 ea
53	B198	coupler, 3/4" fpt x 1/2" mpt	1	\$16.99 ea
54	B167	street elbow, 1/2" fpt x 1/2" mpt	1	\$10.99 ea
55	B303	nipple, 3" x 1/4" npt x 1/4" npt	2	\$8.99 ea
56	B208	coupling, 3/8" fpt x 1/4" fpt	1	\$8.99 ea
57	H541C	chemical injector	1	\$39.99 ea
58	B186	elbow, brass, 90 deg, 3/8"mpt x 3/8" fmpt	2	\$8.99 ea
59	H299	washer, 11/16" id x 1-1/2" od x .075, s/s	9	\$0.99 ea
60	B129	nipple, hex, 1/8" mpt x 1/8" mpt	2	\$1.99 ea
61	B103	elbow, brass, 90 deg, 1/4"mpt x 1/4" fpt	1	\$4.49 ea
62	B210	bushing, brass, 1/2"mpt x 3/8" fpt, hex	2	\$2.49 ea

ITEM NO.	PART #	DESCRIPTION	QTY.	MSRP
63	B119A	filter, strainer, 1/2"	1	\$6.49 ea
64	H201	bolt, 1/4-20 x 1/2", hex head, zinc	2	\$0.99 ea
65	H213	washer, 1/4" lock, s/s	8	\$0.99 ea
66	H378	bracket, front hinge, sp/fb	1	\$8.99 ea
67	H204	bolt, 1/4-20 x 1 3/4" hex head, s/s	2	\$0.99 ea
68	B131	fitting, 1/4" barb x 1/8" FPT	2	\$2.99 ea
69	PH634-18	sol hose, 1/4", silicone braided, clear	1	\$6.49 ea
70	H325	flow meter, electric truckmount	1	\$189.99 ea
71	G069	gasket, flow meter	1	\$0.99 ea
72	H246	screw, 8-32 x 3/8" SHCS, alloy, Black	2	\$0.99 ea
73	B117	strainer, with check, chemical injector	1	\$18.99 ea
74	PH634-26	sol hose, 1/4", silicone braided, clear	1	\$6.49 ea
75	H547	hanger, wire for injection sprayer	1	\$7.49 ea
76	H456B	cap (only) w/ hole	1	\$3.99 ea
77	P534	bottle, 7 quart, w/ caps	1	\$17.99 ea
78	G036	cap, 2.5" threaded, tethered	2	\$3.49 ea
79	H485	handle, breeze and dx	1	\$6.99 ea
80	H768	bolt, 1/4-20 x 3/4" serrated hex flange, zinc	2	\$0.99 ea
81	G052	washer, buna 1-1/8" od x 3/16" id	2	\$1.99 ea
82	H211	washer, 1/4" id x 1" od, flat, s/s	2	\$0.99 ea
83	H650	bolt, 5/16" shoulder x 1-1/2" lg, alloy	1	\$0.99 ea
84	P513	solution tank lid, LTD	1	\$9.00 ea
85	H390A	bracket, "L"	2	\$6.99 ea
86	H770	bolt, 1/4-20 x 1/2" serrated hex flange, zinc	4	\$0.99 ea
87	P509	LX series sol tank	1	\$141.95 ea
88	H124	Cuff-Lynx, 2" mpt x 2" female cuff	2	\$3.99 ea
89	PH634-20	sol hose, 1/4", 300 PSI	1	\$6.49 ft
90	B109	adapter, brass, 1/4" barb x 1/4" mpt	2	\$1.99 ea
91	H484	plate, mounting, QD	1	\$4.99 ea
92	AH117	hose, pulse, black, 1/4" fswl x 1/4" fswl, 40" (OAL)	2	\$19.99 ea
93	H306B	unloader, 1200 psi	1	\$126.49 ea
94	B102	qd, brass, 1/4" f	1	\$17.99 ea
95	B656	ball valve, 1/4"	1	\$13.49 ea
96	PH634-36	sol hose, 1/4", 300 PSI	1	\$6.49 ft
97	H308D	gauge, pressure, 2000 PSI	1	\$38.99 ea
98	E512B	light, indicator, 125v (amber)	1	\$9.99 ea
99	E515	switch, rocker, 2 position	4	\$13.99 ea
100	H029	plastite screw, 10 x 1/2"	2	\$0.99 ea
101	H074	plate, switch, ltd5, ltd12	1	\$5.99 ea
102	H031	plastite screw, 10 x 1"	2	\$0.99 ea
103	H434	plug, vent, heyco, 1/2"	2	\$4.48 ea
104	P512	LX series switchbox	1	\$24.00 ea
105	H135	Cuff-Lynx, 2" m cuff x 2" mpt	1	\$3.99 ea
106	G083	gasket, 2" inlet	1	\$2.49 ea
107	H314	nut, lock, 1-1/2", steel	2	\$1.99 ea
108	P520	adapter, pvc, 1-1/2" mpt x 1-1/2" fms	2	\$2.99 ea
109	P503	adapter, 1.5" pvc, 45 deg, fslip x fslip	4	\$3.29 ea
110	G091	gasket, 7", vac lid	1	\$11.99 ea
111	G090	lid, vac tank, clear, 7"	1	\$36.99 ea
112	H304	screw, #8 x 5/8 phil oval, s/s	6	\$0.99 ea
113	PH633-1	pipe, pvc, 1-1/2"	2	\$4.99 ft
114	G022	filter, foam, 2-3/8" x 1"	2	\$2.99 ea
115	G097	screen, mesh filter, 1-1/2" dia	2	\$4.99 ea
116	P502	adapter, 1.5" pvc, fslip x fslip	2	\$5.00 ea
117	PH633-06	PIPE, 1-1/2" x 6" PVC	2	\$4.99 ft
118	PH633-03	pipe, pvc, 1-1/2"	2	\$4.99/ft
119	PH633-4	pipe, pvc, 1-1/2"	2	\$4.99/ft
120	A926	elbow, inlet assembly 2"	1	\$15.99 ea
121	H225	valve, drain, 1-1/2"	1	\$20.99 ea
122	H226	spout, drain, 45 degree	1	\$3.19 ea
123	P510	LX series vac tank	1	\$99.99 ea
124	H333	mesh filter, auto dump, 1/2" npt	1	\$12.99 ea

ITEM NO.	PART #	DESCRIPTION	QTY.	MSRP
125	B236	elbow, brass, 90 deg, 1/2" barb x 3/8" fpt	1	\$14.49 ea
126	H503	vac support, 3 stage, 3.25", no thrds	6	\$3.99 ea
127	G004	gasket, vac motor - Speedster	2	\$8.99 ea
128	PH628-7	vac hose, 2", black, wire reinforced	2	\$8.99 ft
129	H217	clamp, hose, 2-1/4 dia	4	\$1.49 ea
130	H194	coupler, 2" dia x 2.5" length, s/s	2	\$10.00 ea
131	H096	bolt 1/4-20 x 4, s/s	6	\$0.99 ea
132	C302LA	vac motor, 3 stage, low amp	2	\$139.99 ea
133	B207	elbow, brass, 90 deg, 1/4" fpt x 1/4" fpt	1	\$5.99 ea
134	E373	level switch, vacuum shut-off, rear threads	1	\$13.99 ea
135	B156	nut, 1/4" npt	1	\$1.99 ea

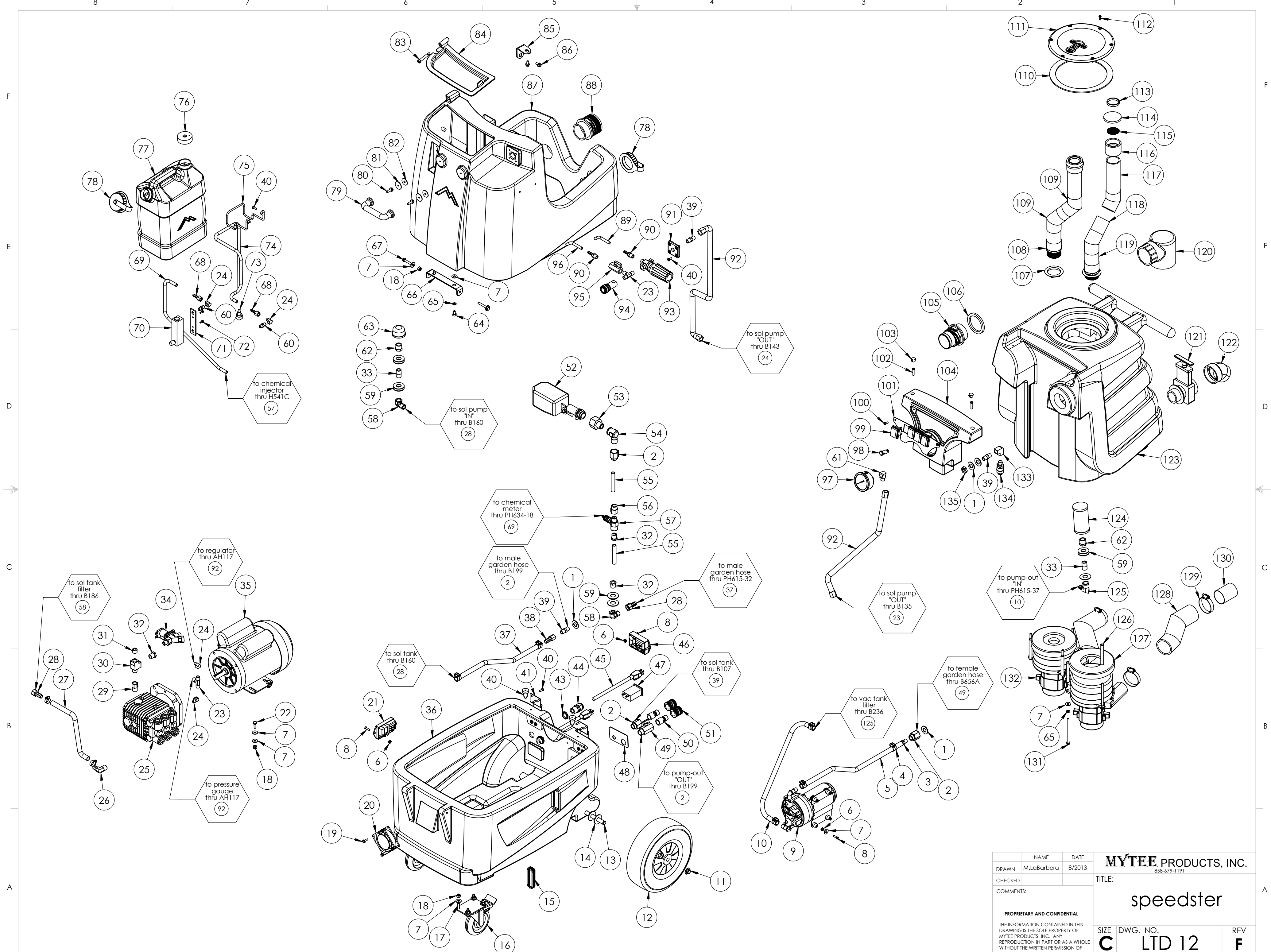
**ITEMS NOT SHOWN**

PART NO.	DESCRIPTION	QTY	MSRP
E352	LED strip light, with lead wires	1	\$26.99 ea
E530	power cord, ext 50', 12/3, black	2	\$74.99 ea
G008	piglet filter	1	\$6.29 ea
G076	filter bag, 3.5" metal o-ring, mesh bag	1	\$4.99 ea
H110	Cuff-Lynx, 2: hose x 2" fem swivel	1	\$3.99 ea
H140	Cuff-Lynx, female swivel x female thread	1	\$3.99 ea
H141	Cuff-Lynx, 2: x 1.5" reducer	1	\$3.99 ea
H375	hanger, wire formed, hose	1	\$6.99 ea
AD127	stop sign, register your product	1	\$2.00 ea
ADM Cuff Lynx	Cuff-Lynx instruction guide	1	n/a



NAME	DATE	<b>MYTEE PRODUCTS, INC.</b> 858-679-1191	
DRAWN M.LaBarbera	10/2013	TITLE:	
CHECKED		<b>speedster</b>	
COMMENTS:		SIZE DWG. NO.	REV
<small>PROPRIETARY AND CONFIDENTIAL</small> <small>THE INFORMATION CONTAINED IN THIS DRAWING IS THE SOLE PROPERTY OF MYTEE PRODUCTS, INC. ANY REPRODUCTION IN PART OR AS A WHOLE WITHOUT THE WRITTEN PERMISSION OF MYTEE PRODUCTS, INC. IS PROHIBITED.</small>		<b>C</b>	<b>F</b>
		SCALE: 1:12	SHEET 1 OF 3

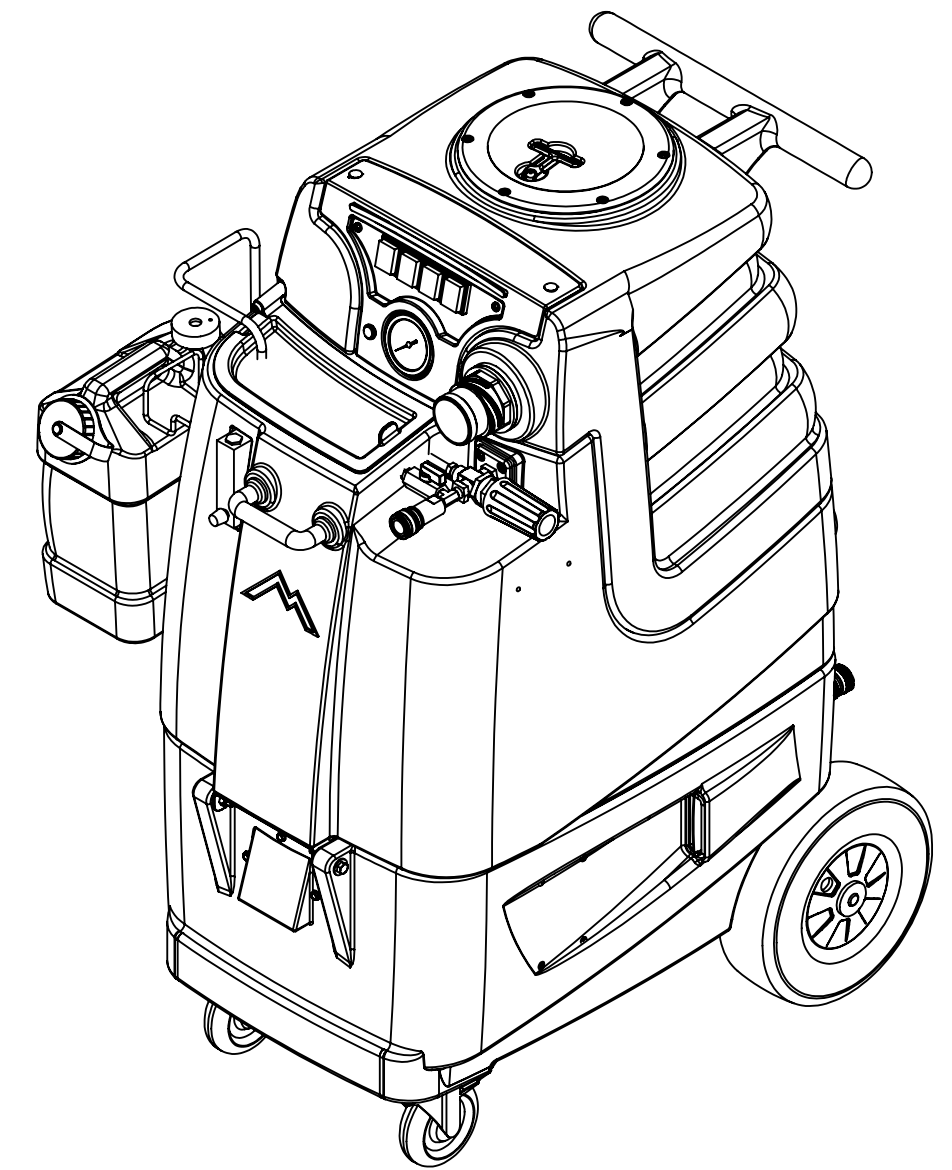




	NAME	DATE	MYTEE PRODUCTS, INC. 858-679-1191	
DRAWN	M.LaBarbera	8/2013	TITLE:	
CHECKED			speedster	
COMMENTS:	PROPRIETARY AND CONFIDENTIAL THE INFORMATION CONTAINED IN THIS DRAWING IS THE SOLE PROPERTY OF MYTEE PRODUCTS, INC. ANY REPRODUCTION IN PART OR AS A WHOLE WITHOUT THE WRITTEN PERMISSION OF MYTEE PRODUCTS, INC. IS PROHIBITED.			
	SIZE	DWG. NO.	REV	
	C	LTD 12	F	
	SCALE: 1:12	DO NOT SCALE DRAWING	SHEET 2 OF 3	

**REVISIONS**

REV.	DESCRIPTION	DATE	APPROVED
OD	ORIGINAL DRAFT	-	JFL
A	-	-	JFL
B	-	-	JFL
C	REPLACED VAC STACK	6/2013	JFL
D	REPLACED G003 W GO22	8/2013	JFL
E	REPLACED H033 W H342, ADDED H210 & H216	10/8/2013	JFL
F	G021 REPLACED W G097	10/28/2013	JFL
F	UPDATED ITEMS NOT SHOWN	1/13/2014	JFL



	NAME	DATE	<b>MYTEE PRODUCTS, INC.</b> 858-679-1191	
DRAWN	M.LaBarbera	10/2013	TITLE: <b>speedster</b>	
CHECKED			SIZE DWG. NO. REV <b>C LTD 12 F</b>	
COMMENTS:			SCALE: 1:12	DO NOT SCALE DRAWING
<p><b>PROPRIETARY AND CONFIDENTIAL</b></p> <p>THE INFORMATION CONTAINED IN THIS DRAWING IS THE SOLE PROPERTY OF MYTEE PRODUCTS, INC. ANY REPRODUCTION IN PART OR AS A WHOLE WITHOUT THE WRITTEN PERMISSION OF MYTEE PRODUCTS, INC. IS PROHIBITED.</p>			SHEET 3 OF 3	